



US0D1120140S

(12) **United States Design Patent** (10) **Patent No.:** **US D1,120,140 S**  
**Hagler et al.** (45) **Date of Patent:** **\*\* Mar. 24, 2026**

(54) **MODEL VEHICLE BODY ASSEMBLY**

OTHER PUBLICATIONS

(71) Applicant: **TRAXXAS, L.P.**, McKinney, TX (US)

Competition Ready | @Traxxas Slash Modified, as shown in www.YouTube.com, Jun. 12, 2024. (Year: 2024).\*

(72) Inventors: **Skylar Hagler**, Anna, TX (US); **Jory Sprowl**, Howe, TX (US); **Jaime Felix Barajas**, Dallas, TX (US); **Caleb Hix**, McKinney, TX (US); **Otto Karl Allmendinger**, Rowlett, TX (US); **Adam Cole Ewing**, McKinney, TX (US); **Kent Poteet**, Lucas, TX (US)

Traxxas Slash® Modified 1/10 Pre-Trimmed Body (Clear) w/Decals, Part#: TRA10411, as shown in www.amainhobbies.com, Nov. 24, 2025. (Year: 2025).\*

IRC Racing Dirt Modified 2.0 1/18 Brushless RTR 2WD Oval Racer (Black) w/2.4GHz Radio, Battery & Wall Charger, Part#: IRC1126, as shown in www.amainhobbies.com, Apr. 25, 2025. (Year: 2025).\*

\* cited by examiner

(73) Assignee: **TRAXXAS, L.P.**, McKinney, TX (US)

*Primary Examiner* — George J Ulsh

(\*\*) Term: **15 Years**

*Assistant Examiner* — Gregory G Mclemore

(21) Appl. No.: **29/936,705**

(74) *Attorney, Agent, or Firm* — Daryl R. Wright; Greg Carr

(22) Filed: **Apr. 10, 2024**

(51) **LOC (15) Cl.** ..... **21-01**

(57) **CLAIM**

(52) **U.S. Cl.**  
USPC ..... **D21/562**

The ornamental design for a model vehicle body assembly as shown and described.

(58) **Field of Classification Search**  
USPC ..... D21/424, 433, 434, 483, 495, 533, 548, D21/549, 550, 552, 560, 562, 581, 833  
CPC ..... A63H 17/262; A63H 17/26; A63H 19/15  
See application file for complete search history.

**DESCRIPTION**

(56) **References Cited**

FIG. 1 is an upper, left, front perspective view of a model vehicle body assembly showing our new design; FIG. 2 is an upper, right, rear perspective view thereof; FIG. 3 is a lower, right, front perspective view thereof; FIG. 4 is a lower, left, rear perspective view thereof; FIG. 5 is a front elevation view thereof; FIG. 6 is a rear elevation view thereof; FIG. 7 is an upper plan view thereof; FIG. 8 is a lower plan view thereof; FIG. 9 is a right-side elevation view thereof; and, FIG. 10 is a left-side elevation view of the model vehicle body assembly.

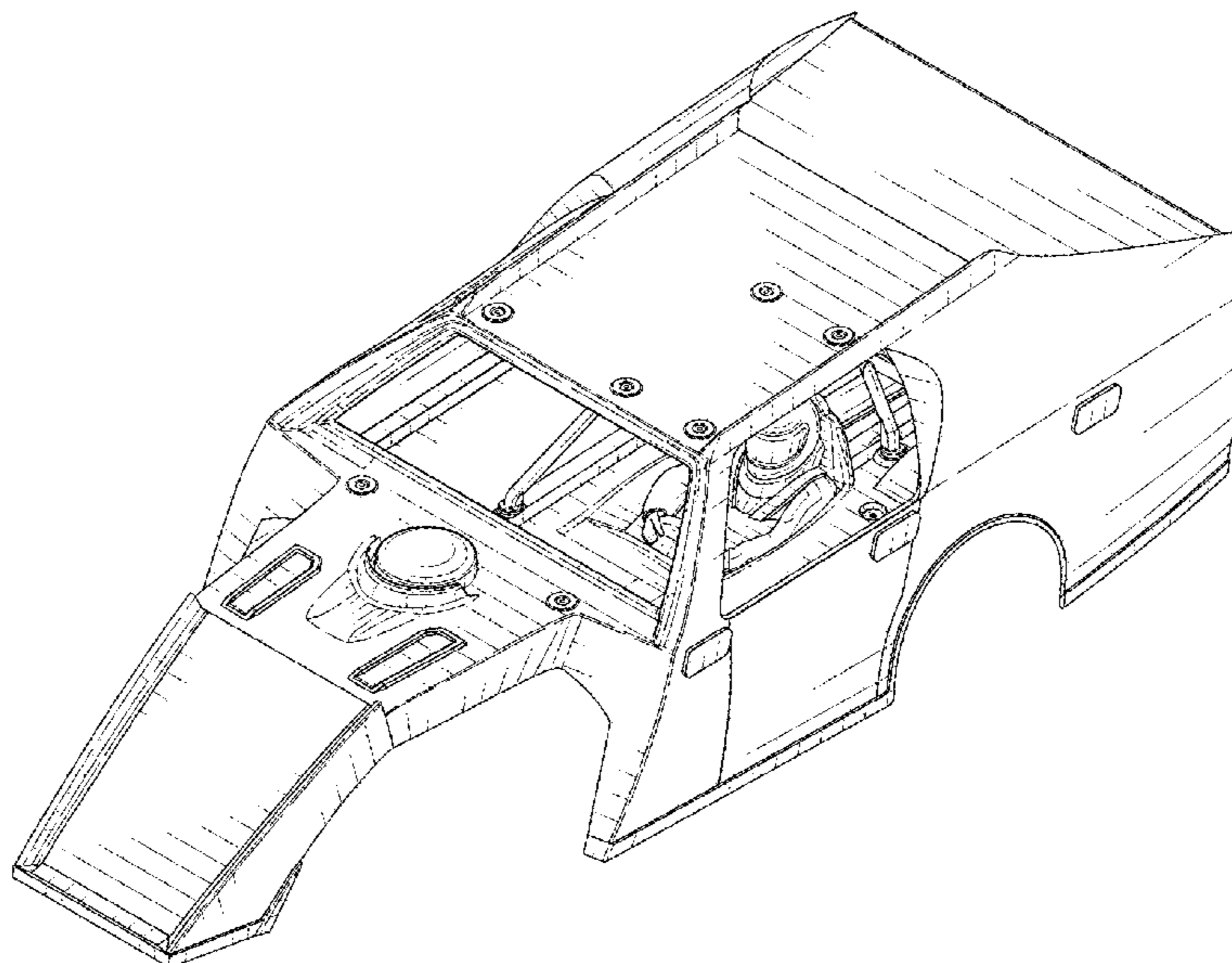
U.S. PATENT DOCUMENTS

D567,301 S	*	4/2008	Idiot	.....	D21/549
D797,205 S	*	9/2017	Mortier, Jr.	.....	D21/549
D870,824 S	*	12/2019	Barajas	.....	D21/562
D879,212 S	*	3/2020	Barajas	.....	D21/562
D935,531 S	*	11/2021	Barajas	.....	D21/548
D1,073,820 S	*	5/2025	Ewing	.....	D21/548

FOREIGN PATENT DOCUMENTS

EP	15075069	*	10/2024
GB	6395767	*	10/2024

**1 Claim, 9 Drawing Sheets**



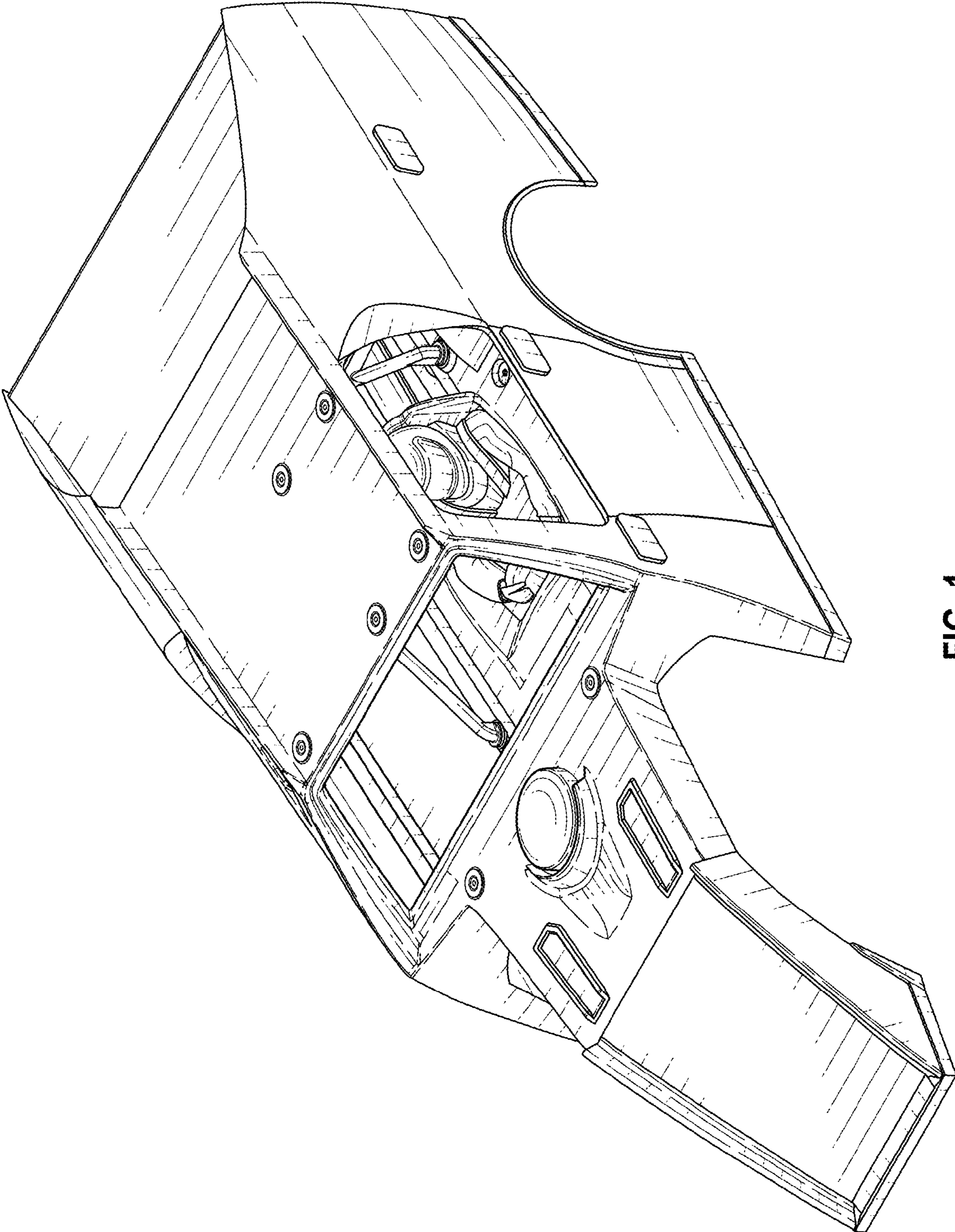


FIG. 1

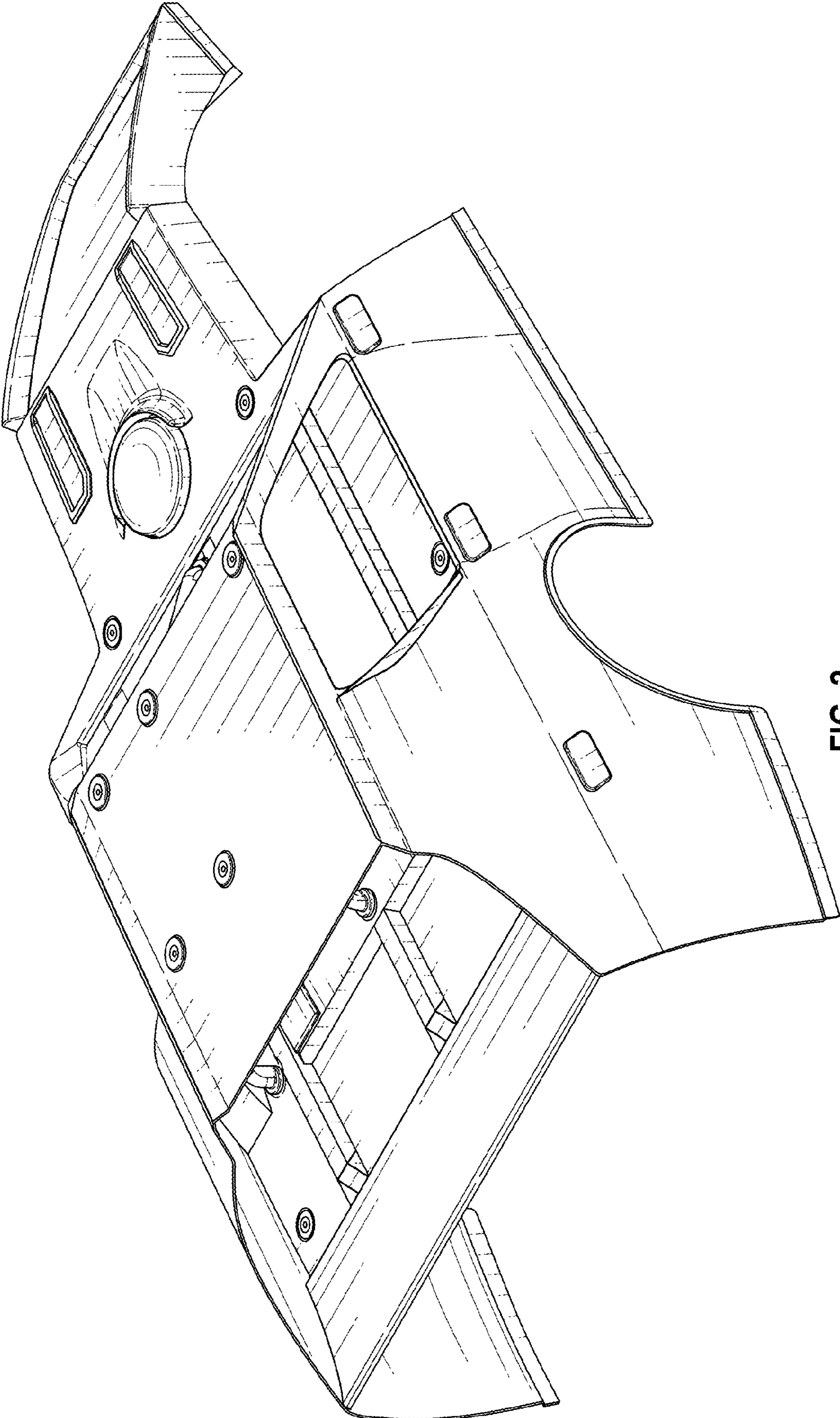


FIG. 2

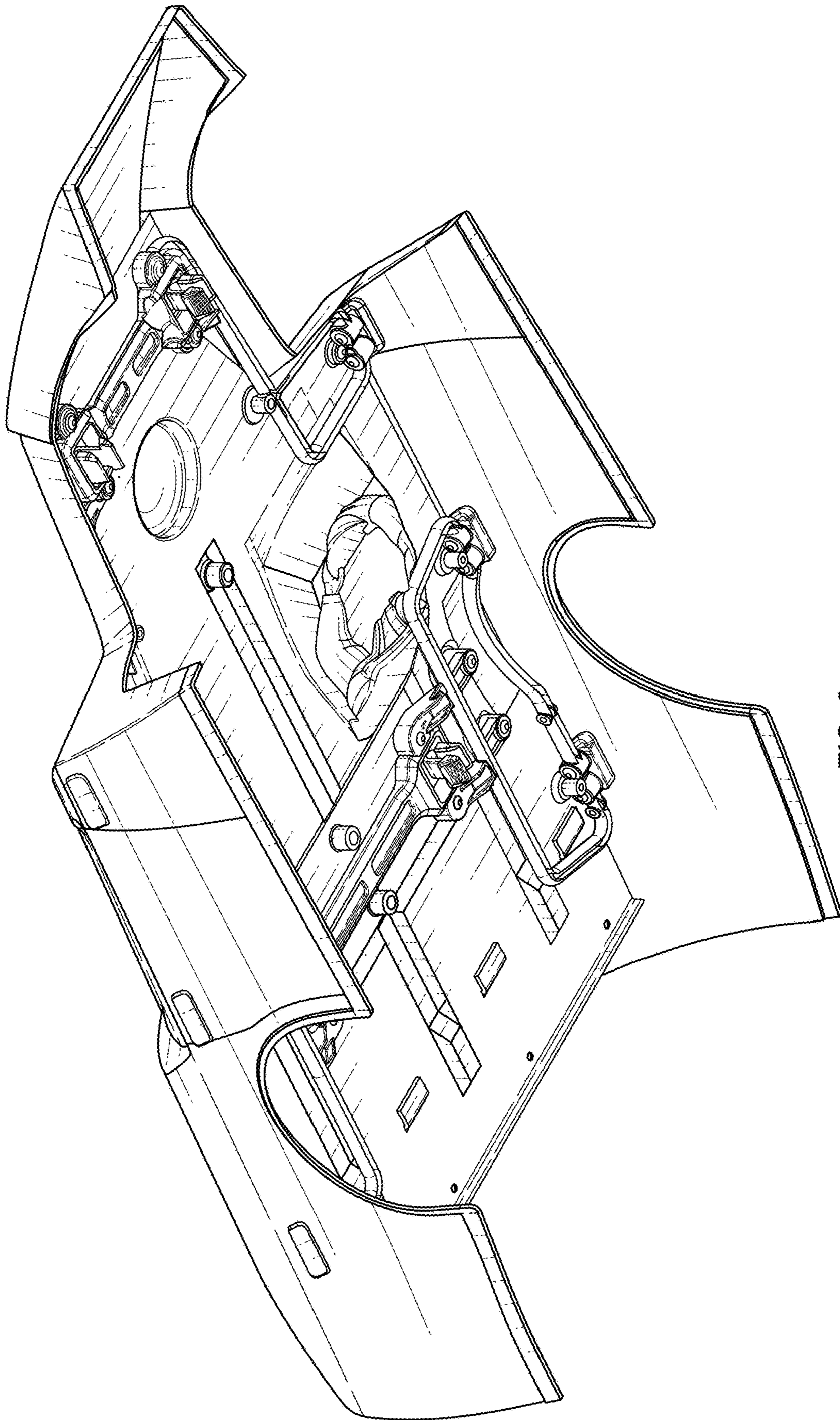


FIG. 3

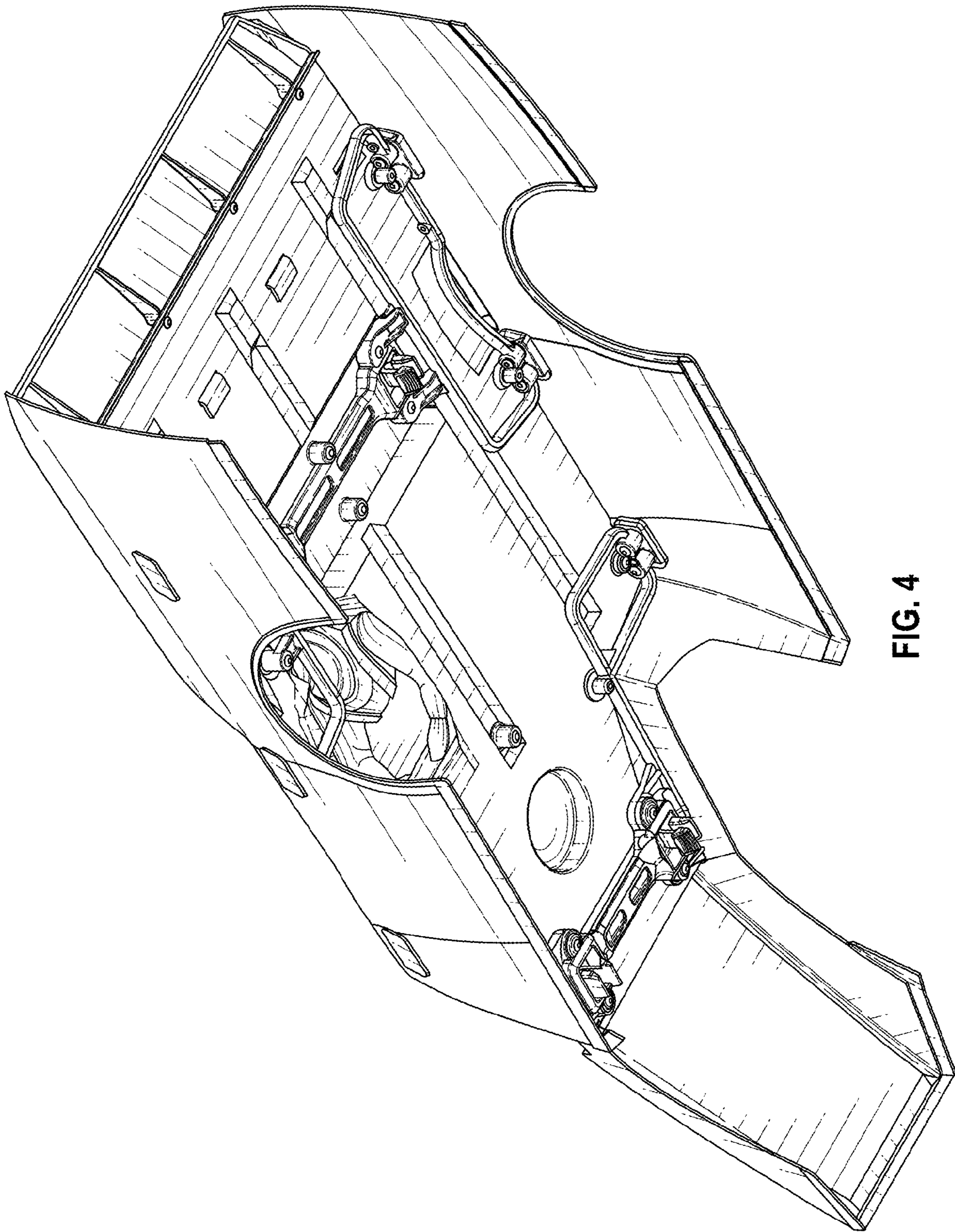


FIG. 4

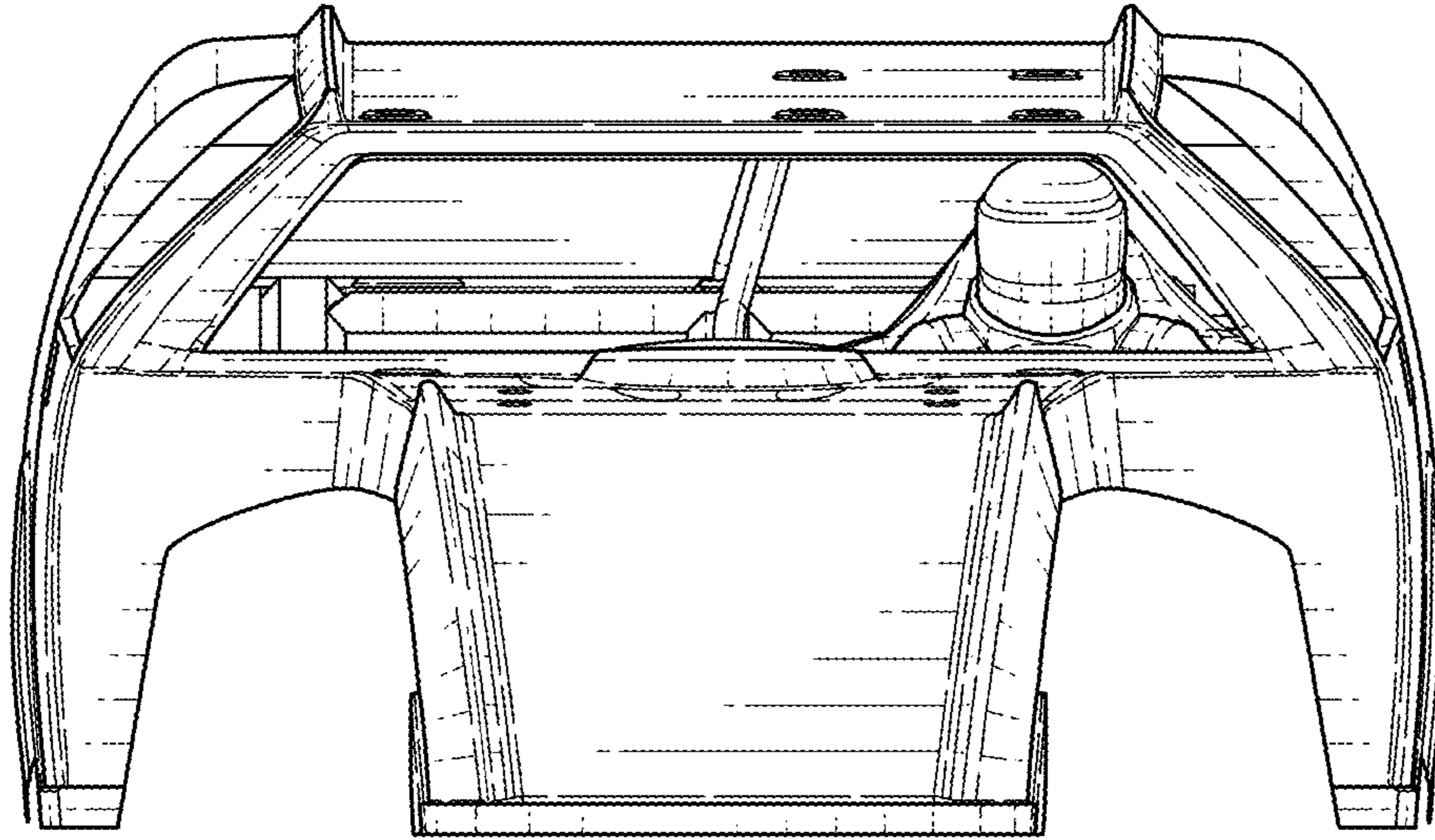


FIG. 5

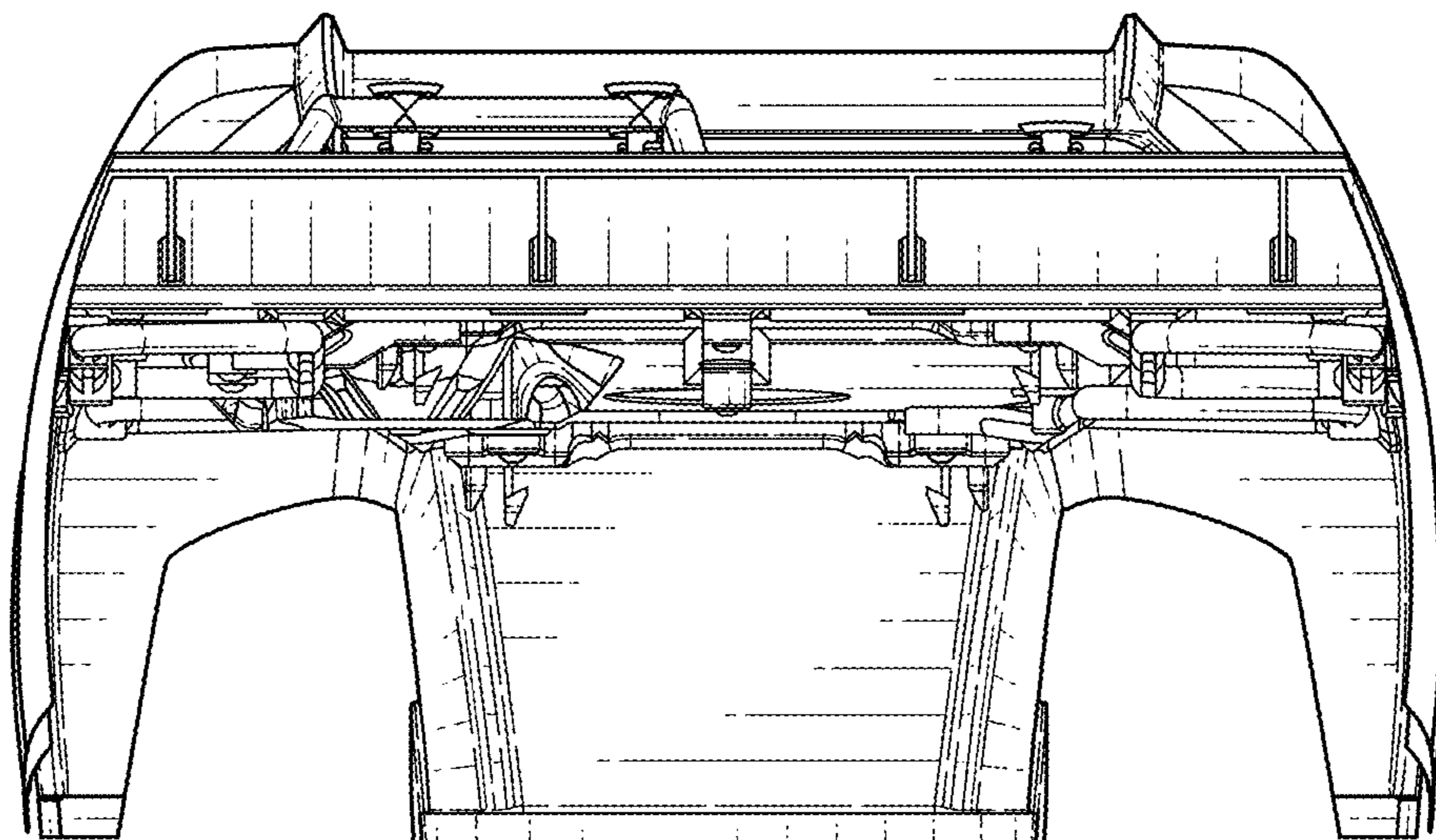


FIG. 6

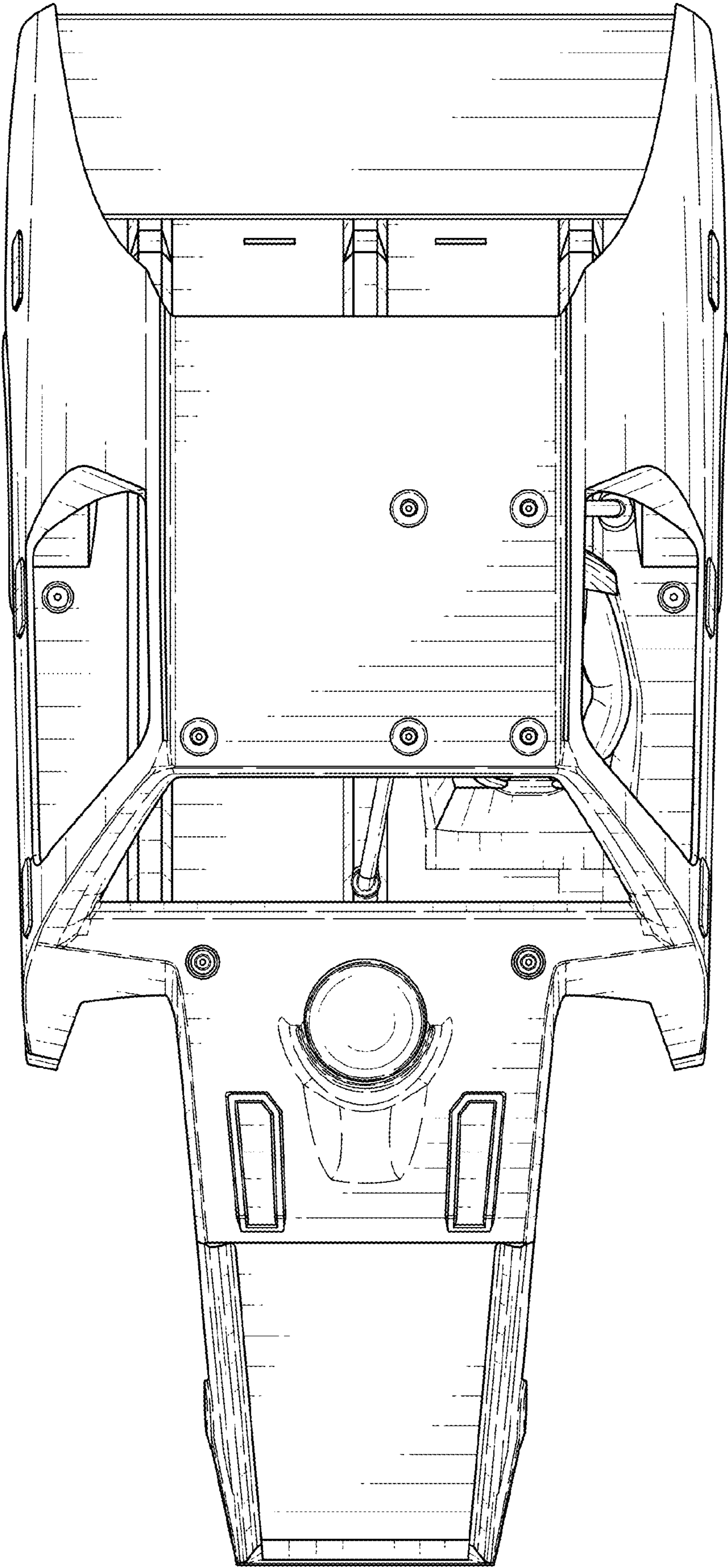


FIG. 7

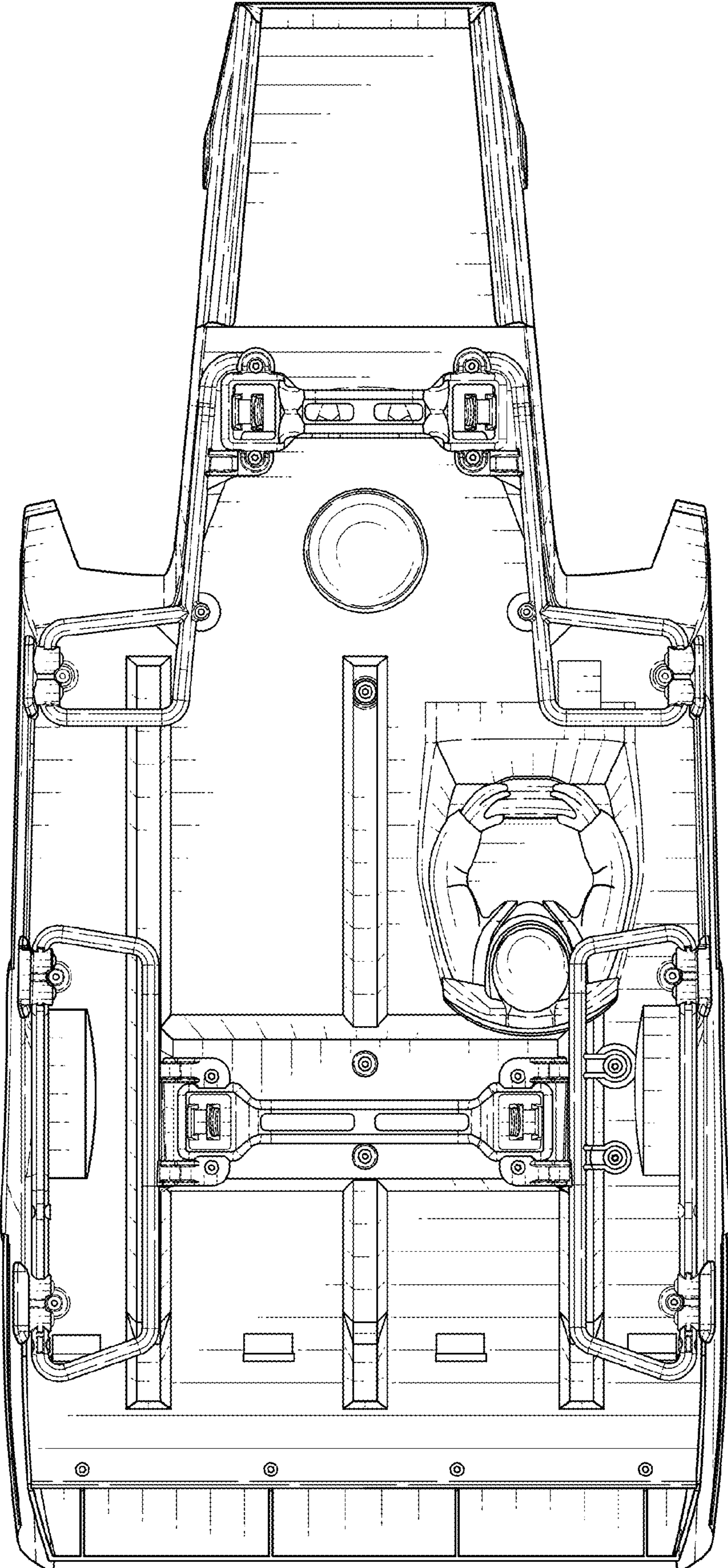


FIG. 8

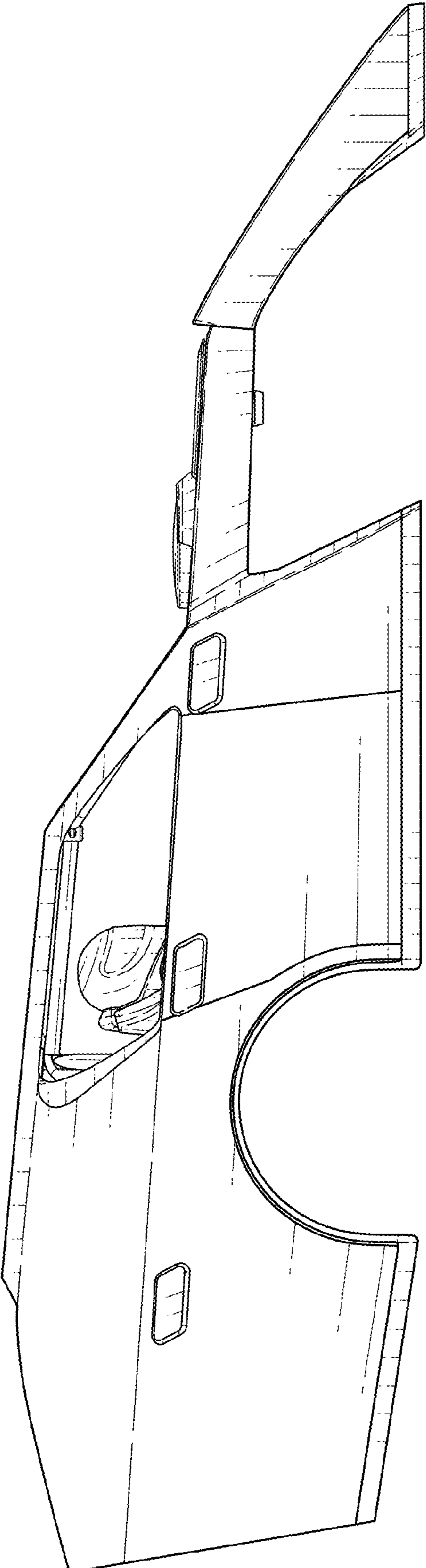


FIG. 9

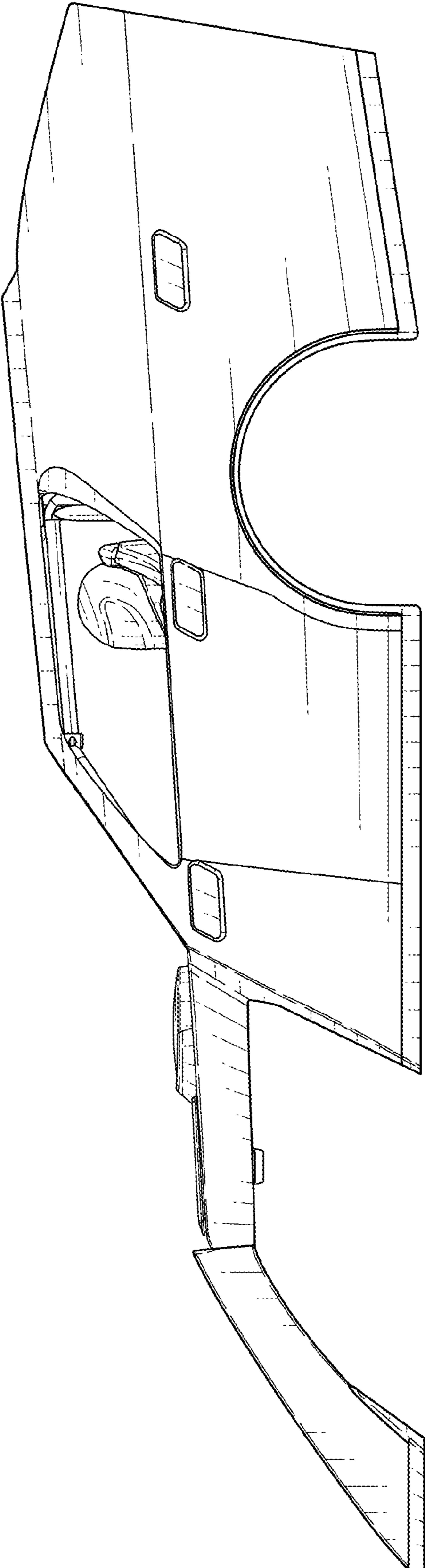


FIG. 10