



US0D1120137S

(12) **United States Design Patent**
Ewing et al.

(10) **Patent No.:** **US D1,120,137 S**
(45) **Date of Patent:** **** Mar. 24, 2026**

- (54) **MODEL VEHICLE WING**
- (71) Applicant: **TRAXXAS, L.P.**, McKinney, TX (US)
- (72) Inventors: **Adam Cole Ewing**, McKinney, TX (US); **Kent Poteet**, Lucas, TX (US)
- (73) Assignee: **TRAXXAS, L.P.**, McKinney, TX (US)
- (**) Term: **15 Years**

D931,172 S 9/2021 Zheng
 D942,339 S 2/2022 Verbrugge
 D962,135 S 8/2022 Chen
 D962,136 S 8/2022 Chen
 (Continued)

FOREIGN PATENT DOCUMENTS

CN 305204153 * 6/2019
 CN 306739396 * 8/2021
 EM 015099375-0001 * 4/2025

- (21) Appl. No.: **29/969,425**
- (22) Filed: **Oct. 22, 2024**
- (51) **LOC (15) Cl.** **21-01**
- (52) **U.S. Cl.**
USPC **D21/561**; D21/533; D21/562
- (58) **Field of Classification Search**
USPC D21/561, 533, 562, 565, 424, 595, 495,
D21/489; D12/159
CPC A63H 17/262; A63H 18/08
See application file for complete search history.

OTHER PUBLICATIONS

Amazon Website, Traxxas Wing, Earliest Available Date: Oct. 24, 2007[Website Visited Aug. 7, 2025] Available on the Internet URL <https://www.amazon.com/dp/B000XQ0QLY> (Year: 2007).*

(Continued)

Primary Examiner — Lauren D McVey
Assistant Examiner — James T Tyree
 (74) *Attorney, Agent, or Firm* — Daryl R. Wright; Greg Carr

(56) **References Cited**

U.S. PATENT DOCUMENTS

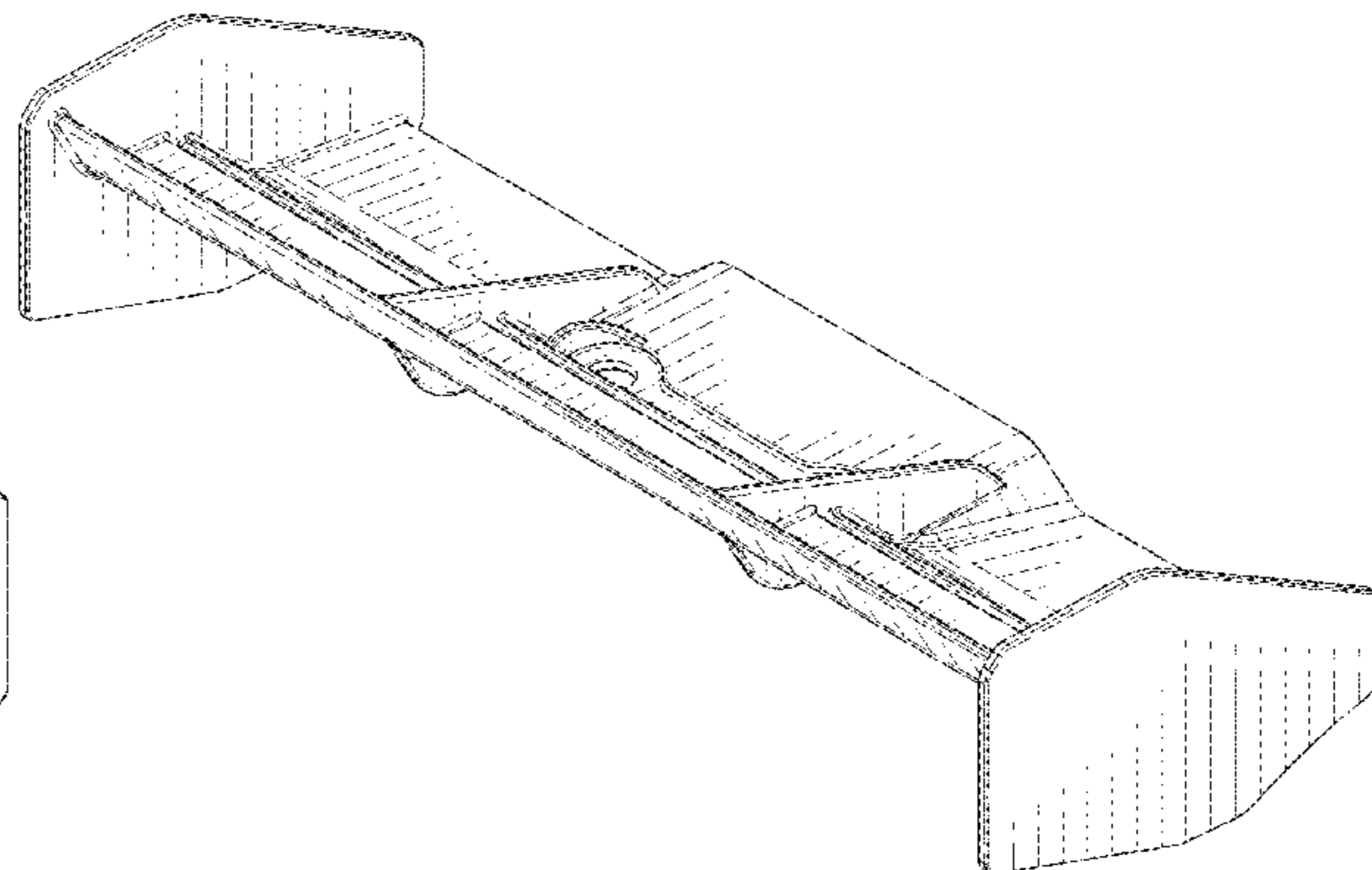
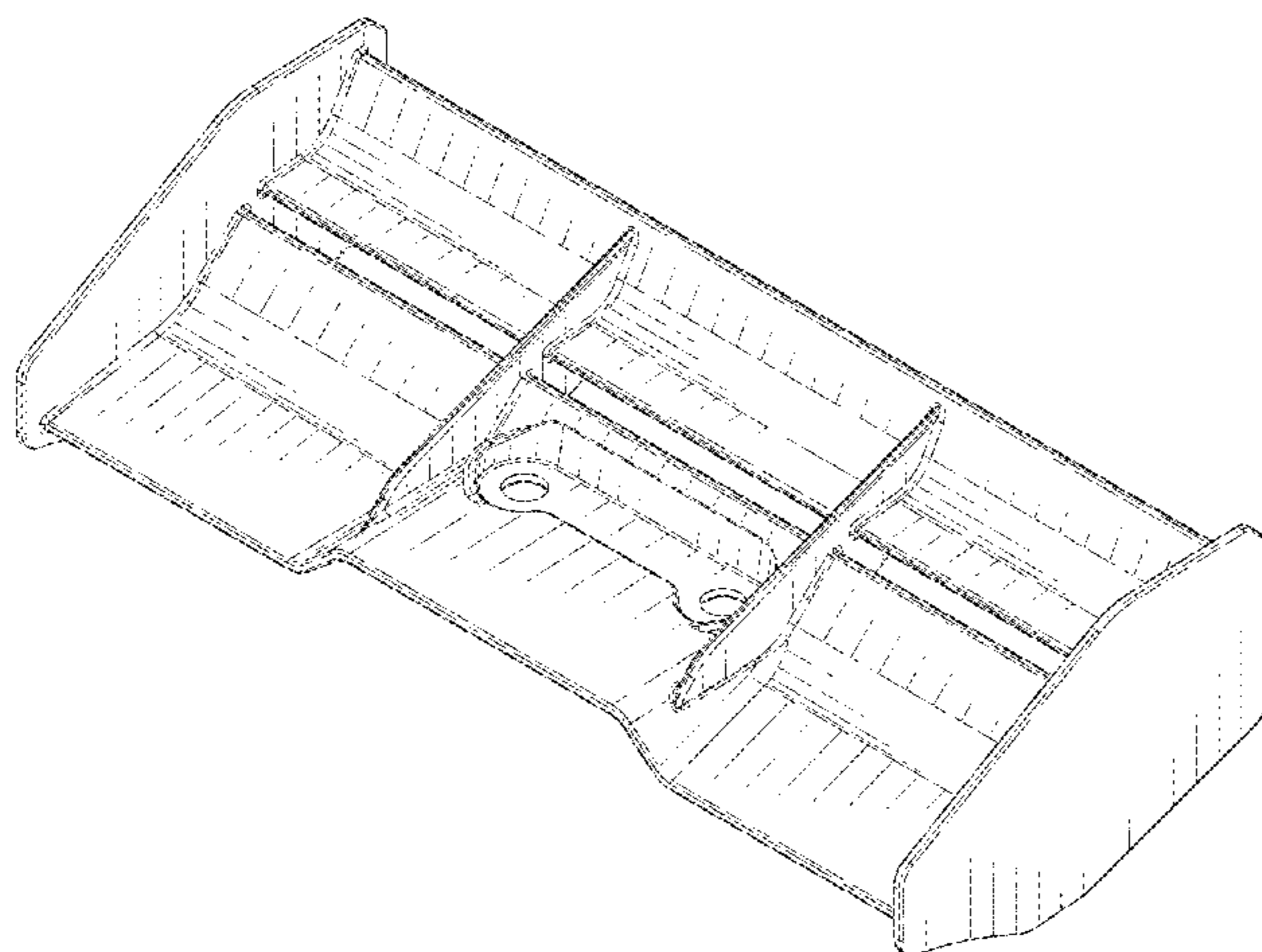
5,076,636 A	12/1991	Buck et al.	
D473,831 S *	4/2003	Saleen	D12/181
D488,113 S	4/2004	Nelson	
D498,720 S	11/2004	Dyson et al.	
D535,598 S *	1/2007	Murkett	D12/181
7,175,229 B2	2/2007	Garcia	
D566,790 S *	4/2008	Idiot	D21/562
D603,295 S	11/2009	Honeycutt et al.	
D656,439 S *	3/2012	Saracoglu	D12/181
D725,559 S *	3/2015	Robinson	D12/181
9,944,335 B2	4/2018	Shinedling et al.	
D842,182 S	3/2019	Lee	
D867,241 S *	11/2019	Schmölz	D12/181
D879,209 S *	3/2020	Ewing	D12/181
D905,603 S	12/2020	DiCanzio	
D906,201 S	12/2020	Chen	
D915,960 S	4/2021	Oliver et al.	

(57) **CLAIM**
 The ornamental design for a model vehicle wing as shown and described.

DESCRIPTION

FIG. 1 is an upper, left, front perspective view of a model vehicle wing showing our new design;
 FIG. 2 is an upper, right, rear perspective view thereof;
 FIG. 3 is a lower, right, front perspective view thereof;
 FIG. 4 is a lower, left, rear perspective view thereof;
 FIG. 5 is a front elevation view thereof;
 FIG. 6 is a rear elevation view thereof;
 FIG. 7 is an upper plan view thereof;
 FIG. 8 is a lower plan view thereof;
 FIG. 9 is a right-side elevation view thereof; and,
 FIG. 10 is a left-side elevation view of a model vehicle wing.

1 Claim, 7 Drawing Sheets



(56)

References Cited

U.S. PATENT DOCUMENTS

D972,472	S	12/2022	Taverna	
D972,993	S	12/2022	Taverna	
D988,213	S *	6/2023	Xian	D12/181
D988,216	S *	6/2023	Larson	D12/184
D1,007,604	S *	12/2023	Allmendinger	D12/184
D1,013,062	S *	1/2024	Hagler	D21/561
D1,014,654	S *	2/2024	Allmendinger	D21/561
D1,018,398	S	3/2024	Burki	
D1,027,753	S	5/2024	Burki	
D1,038,274	S *	8/2024	Ewing	D21/561
D1,040,254	S	8/2024	Ewing et al.	
2009/0195016	A1	8/2009	Schwan et al.	
2013/0221701	A1	8/2013	De Luca	
2024/0115965	A1	4/2024	Christensen et al.	

OTHER PUBLICATIONS

Amazon Website, Traxxas Race Wing, No Available Date [Website Visited Aug. 7, 2025] Available on the Internet URL <https://www.amazon.com/dp/B0DX32JQ3X> (Year: 2025).*

Traxxas Website, Traxxas Race Wing, No Available Date [Website Visited Aug. 7, 2025] Available on the Internet URL <https://traxxas.com/9019-wht-low-profile-white-race-wing> (Year: 2025).*

Amazon.com. "Traxxas TRA6721 Wing, Rustler 4x4 (Black)" First reviewed Aug. 23, 2019. Retrieved Sep. 22, 2019. (<https://www.amazon.com/Traxxas-TRA6721-Rustler-Black-3x8mm/dp/B07HJHBM85/>).

Wing, Chevrolet C10, traxxas.com, first archived Sep. 24, 2021 [online], [site visited Mar. 21, 2023], Available from internet, URL: <https://web.archive.org/web/20210924085123/https://traxxas.com/products/parts/9414> (Year: 2021).

Traxxas Drag Slash Chevrolet C10 Wing, hobbytown.com, first available Sep. 20, 2021 [online], [site visited Mar. 21, 2023], Available from internet, URL: <https://www.hobbytown.com/traxxas-drag-slash-chevrolet-c10-wing-tra9414/p1330089> (Year: 2021).

Vgoohobby RC Force Rear Spoiler, amazon.com, customer review oldest date Aug. 6, 2021 [online], [site visited Mar. 21, 2023], Available from internet, URL: <https://www.amazon.com/Vgoohobby-Force-Spoiler-High-Down-Redcat/dp/B094CYPJ44> (Year: 2021).

Traxxas 7122 E-Revo Wing, amazon.com, first available May 2, 2009 [online], [site visited Mar. 21, 2023], Available from internet, URL: <https://www.amazon.com/dp/B00287YYVY> (Year: 2009).

ShareGoo Wing Body Spoiler, amazon.com, customer review oldest date Feb. 16, 2023 [online], [site visited Mar. 21, 2023], Available from internet, URL: <https://www.amazon.com/dp/B087J3MHYZ> (Year: 2023).

Traxxas Sledge Rear Wing (Black), as shown on www.hobbytown.com, Jun. 30, 2022, Part #TRA9517. (Year: 2022).

Traxxas XRT Wing (Blue), as shown in www.hobbytown.com, May 16, 2023, Part# TRA7821X. (Year: 2023).

ARRMA Rear Wing, ARA480044, as shown in www.amazon.com, Aug. 16, 2022, Asin BOBHN11X26. (Year: 2022).

ARRMA Rear Wing, ARAC9608 Large, as shown in www.amazon.com, Oct. 3, 2017, Asin B0764LM5TG. (Year: 2017).

Arrma 4S Blx Rear Wing (Black), as shown in www.hobbytown.com, Jul. 16, 2019, Part # ARA480012. (Year: 2019).

Arrma 224mm Rear Wing (White), as shown in hobbytown.com, Dec. 19, 2014, Part # ARA480004. (Year: 2014).

Tekno RC 1/18 High Down Force Buggy Wing (ROAR/IFMAR Legal) (Black), as shown in www.amainhobbies.com, Jun. 16, 2016, Part # TKR5292K. (Year: 2016).

Team Associated Reflex 14B/14T Plastic Wing (Black), as shown in www.hobbytown.com, Nov. 12, 2018, Part #ASC21545. (Year: 2018).

Traxxas XRT Wing Mount, as shown in www.hobbytown.com, Jun. 15, 2023, Part# TRA7818. (Year: 2023).

Redcat Racing 81061 Rear Wing Mount Set 81061, as shown in www.redcatracing.toys, no date listed, date found, Jun. 14, 2024. (Year: 2024).

Hot Racing AON40M01 Aluminum Wing Mount Arrma Kraton Talion Typhon, as shown in www.amazon.com, Jan. 26, 2020, Asin B01NAPB2RO. (Year: 2020).

Traxxas 5446 Black Wing for Revo, Amazon Website, Earliest Available Date: Oct. 24, 2007 [Website Visited Aug. 7, 2025], Available on the Internet, URL <https://www.amazon.com/dp/B000XQOQLY> (Year: 2007).

Traxxas 9019-WHT-Jato 4X4 VXL Low Profile Race Wing, Amazon Website, No Available Date [Website Visited Aug. 7, 2025], Available on the Internet, URL <https://www.amazon.com/dp/B0DX32JQ3X> (Year: 2025).

Low-Profile White Race Wing, Traxxas Website, No. Available Date [Website Visited Aug. 7, 2025], Available on the Internet, URL <https://traxxas.com/9019-wht-low-profile-white-race-wing> (Year: 2025).

* cited by examiner

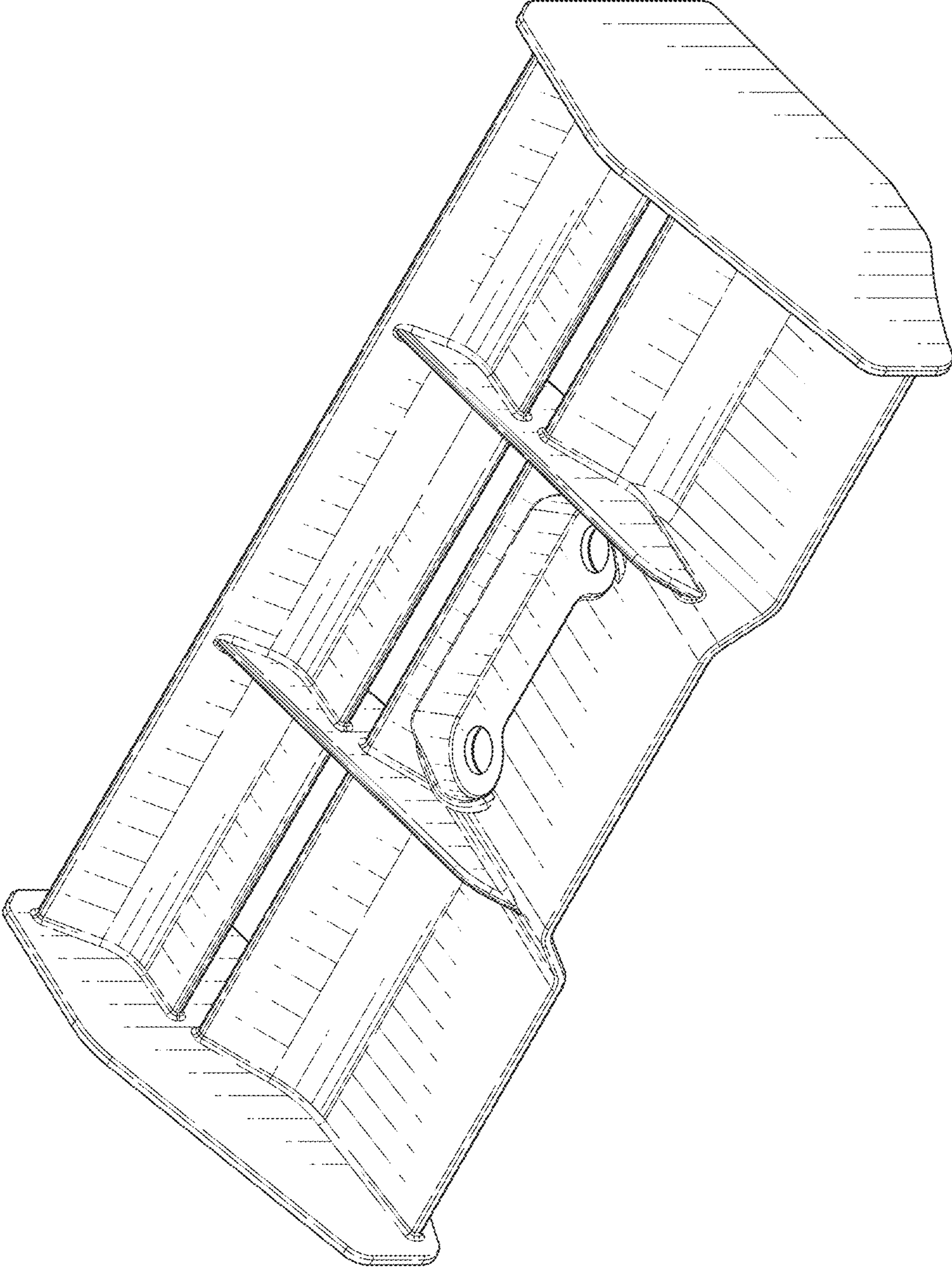


FIG. 1

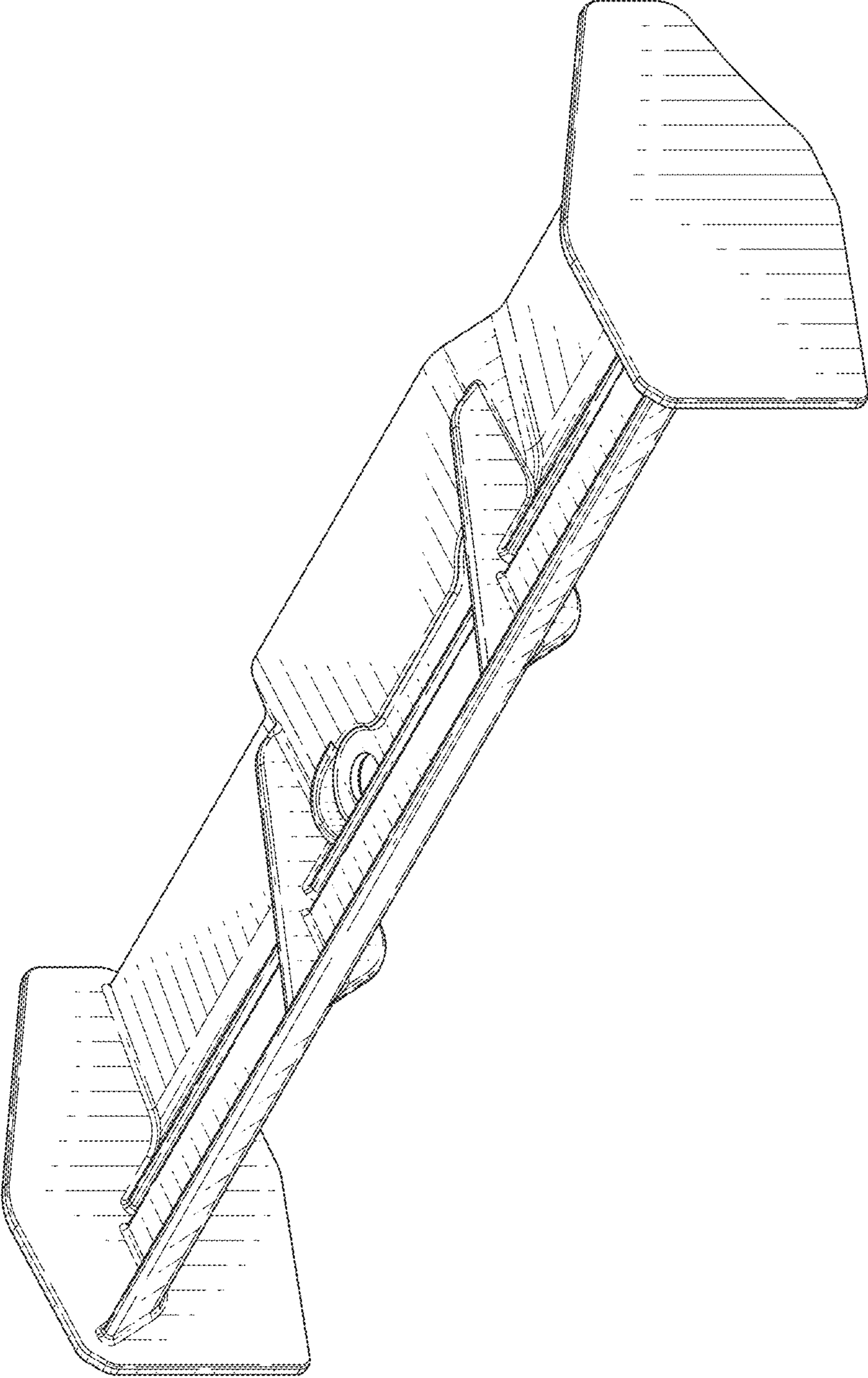


FIG. 2

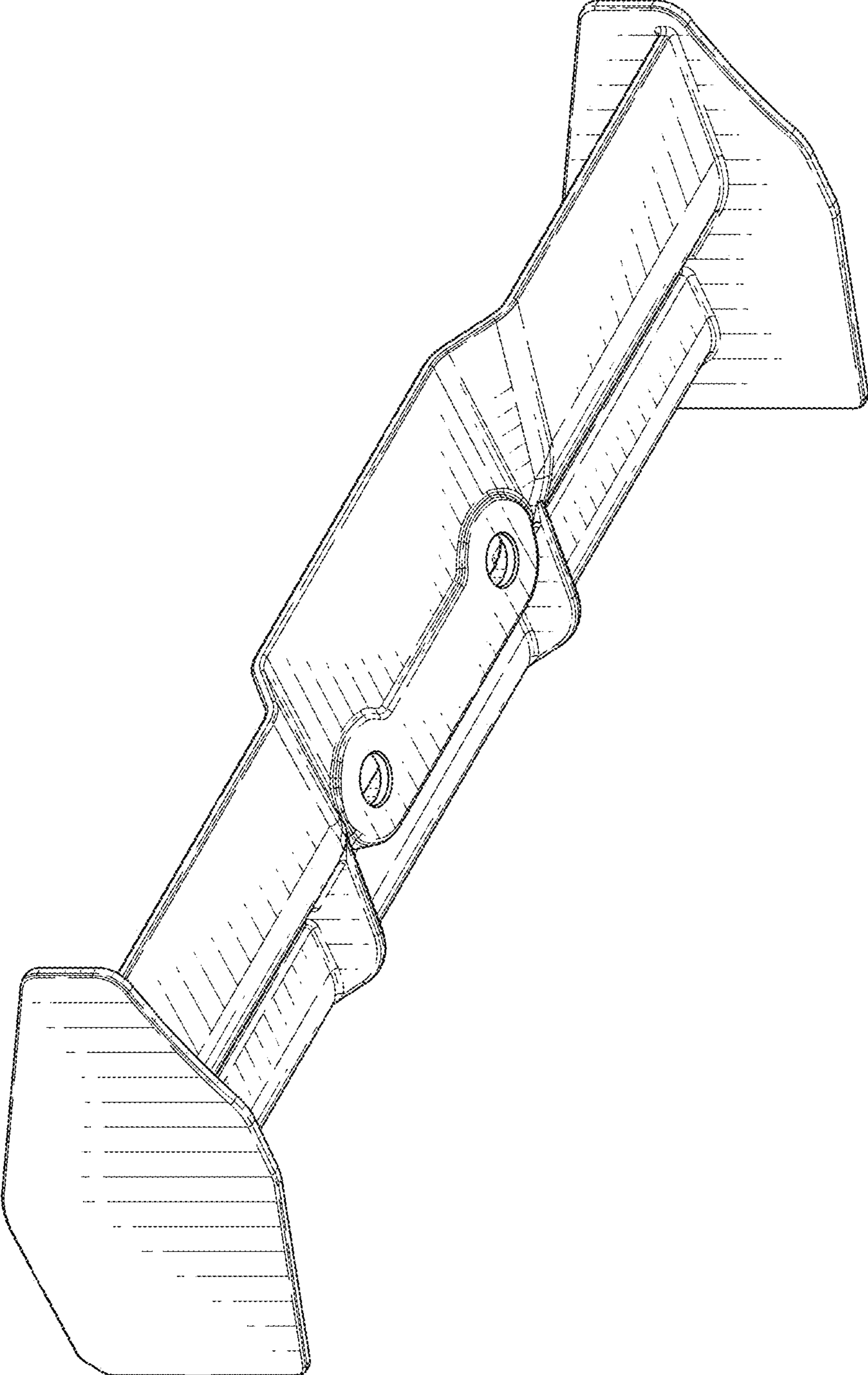


FIG. 3

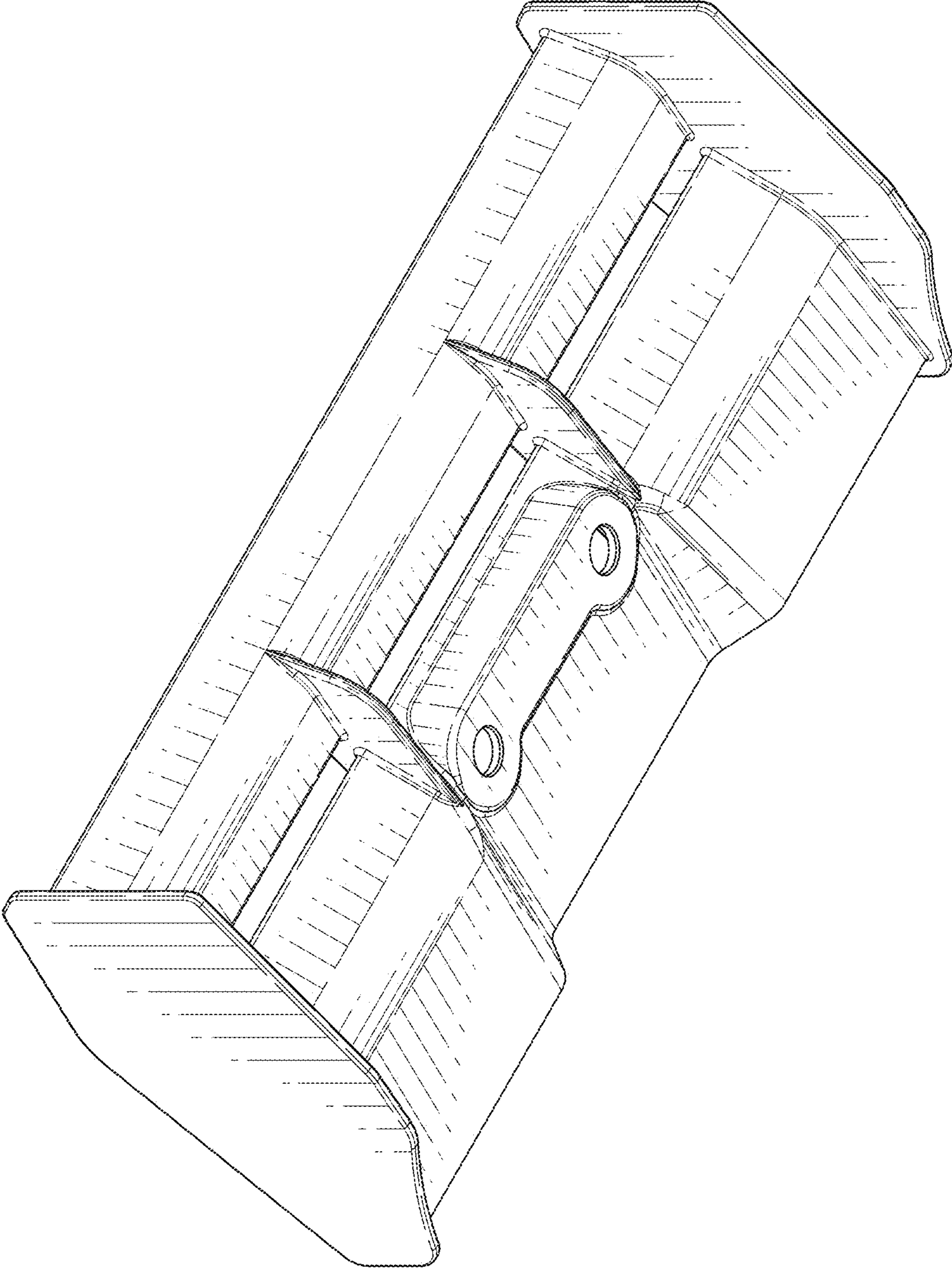


FIG. 4

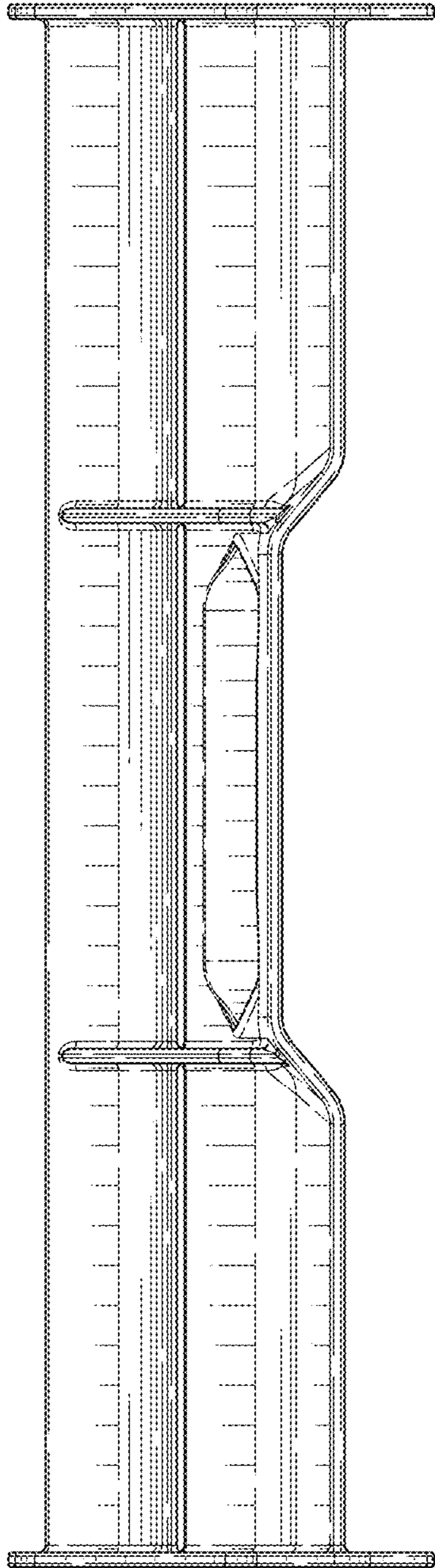


FIG. 5

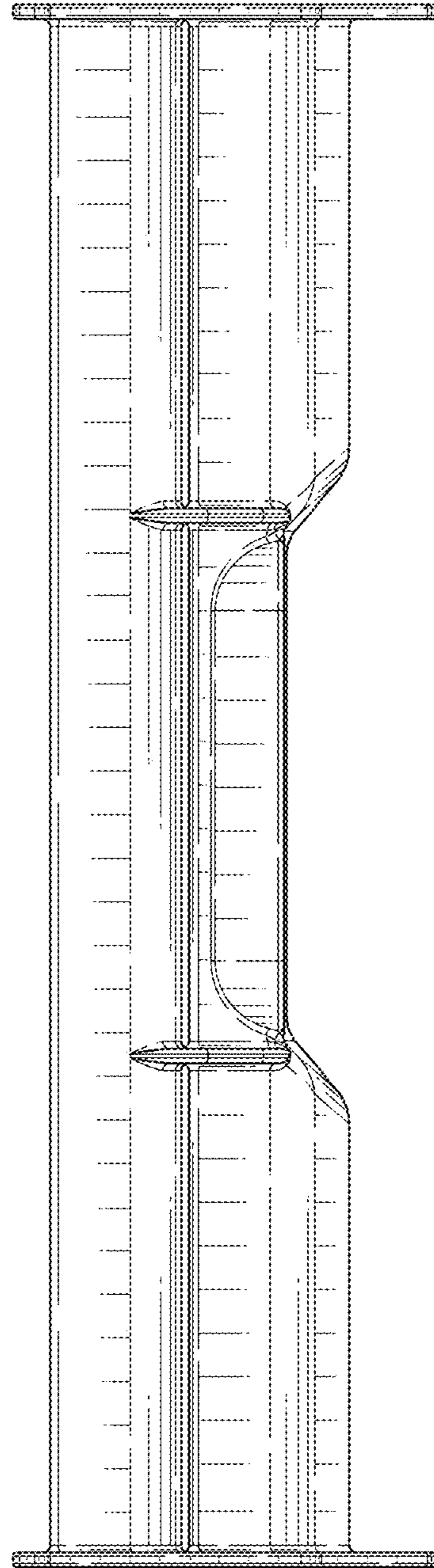


FIG. 6

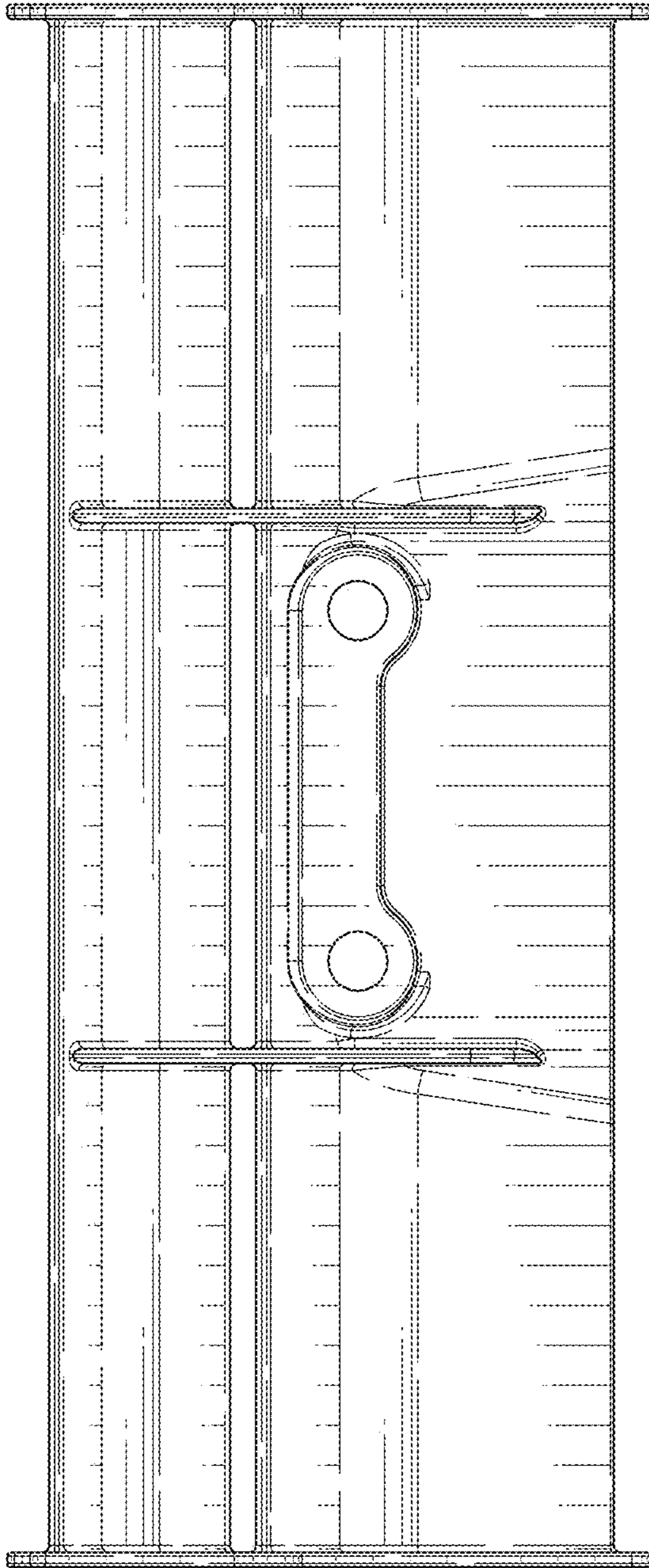


FIG. 7

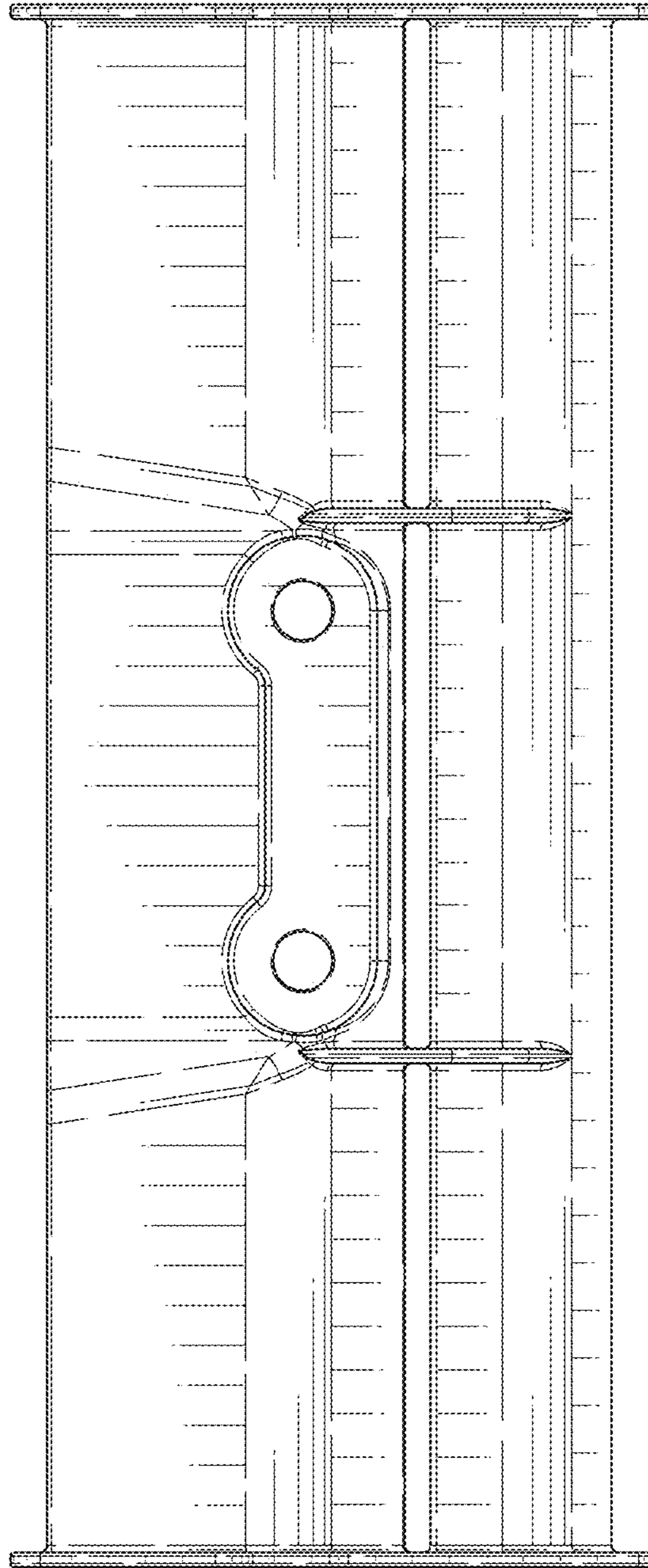


FIG. 8

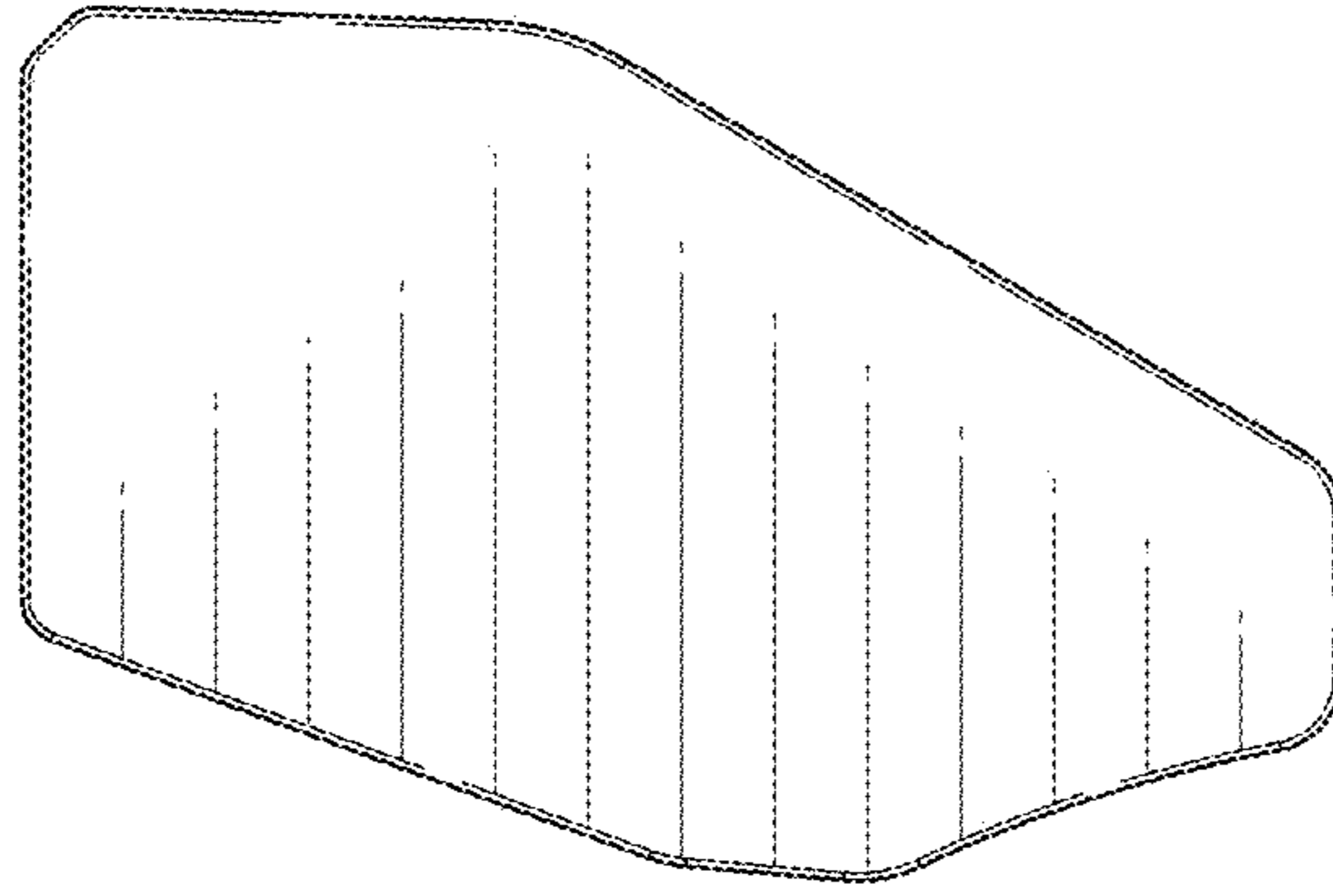


FIG. 9

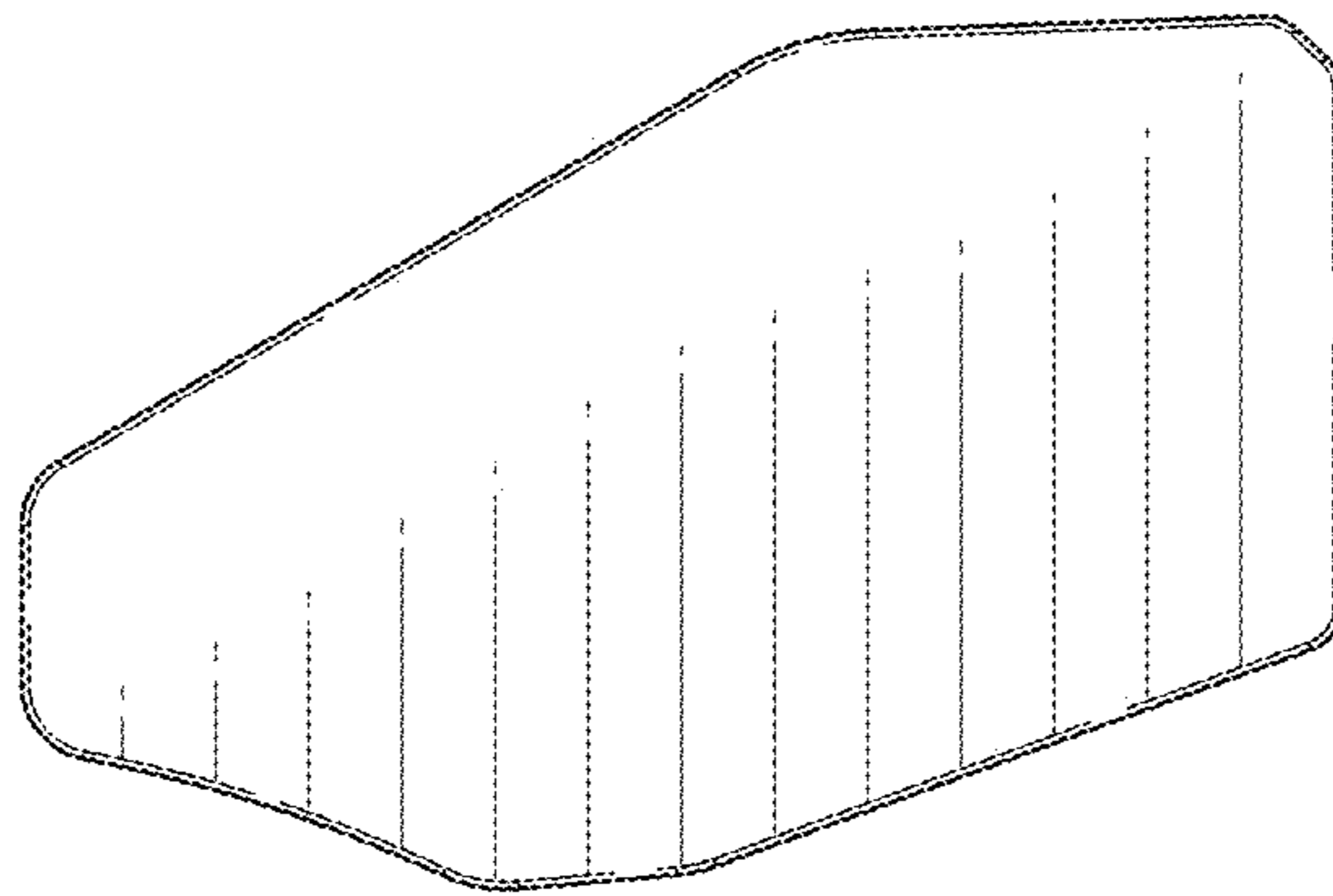


FIG. 10