



US0D1120136S

(12) **United States Design Patent** (10) **Patent No.:** **US D1,120,136 S**
Collins et al. (45) **Date of Patent:** **** Mar. 24, 2026**

- (54) **MODEL VEHICLE ELECTRONICS CASE ASSEMBLY**
- (71) Applicant: **TRAXXAS, L.P.**, McKinney, TX (US)
- (72) Inventors: **Trent Collins**, McKinney, TX (US);
Otto Karl Allmendinger, Rowlett, TX (US); **Adam Cole Ewing**, McKinney, TX (US); **Kent Poteet**, Lucas, TX (US)
- (73) Assignee: **TRAXXAS, L.P.**, McKinney, TX (US)
- (**) Term: **15 Years**
- (21) Appl. No.: **29/959,216**
- (22) Filed: **Aug. 23, 2024**
- (51) **LOC (15) Cl.** **21-01**
- (52) **U.S. Cl.**
USPC **D21/561**; D21/533; D21/562
- (58) **Field of Classification Search**
USPC D21/561, 533, 562, 565, 424, 595, 495,
D21/489, 491; D12/159
CPC A63H 17/262; A63H 18/08
See application file for complete search history.

(56) **References Cited**

U.S. PATENT DOCUMENTS

D287,718 S *	1/1987	Moeller	D13/184
D292,914 S	11/1987	Moeller		
D351,134 S *	10/1994	Hunziker	D13/110
D389,199 S *	1/1998	Lesko	D21/324
D407,694 S *	4/1999	Hill	D13/162
6,019,084 A *	2/2000	Haynes	F02M 3/07 123/339.27
D457,858 S *	5/2002	Lee	D13/110
D464,327 S	10/2002	Frank, Jr.		
D638,376 S *	5/2011	Herrmann	D13/179
D641,698 S *	7/2011	Christensen	D13/112
D675,622 S *	2/2013	Petrick	D14/434
D708,151 S *	7/2014	Junko	D13/169

(Continued)

FOREIGN PATENT DOCUMENTS

CN	304280590	*	9/2017
CN	305812692		5/2020

(Continued)

OTHER PUBLICATIONS

Traxxas Website, Traxxas Power System, No Available Date [Website Visited Sep. 25, 2025] Available on the Internet URL <https://traxxas.com/6250-trx-4m-brushless-power-system> (Year: 2025).*

(Continued)

Primary Examiner — Michael C Stout

Assistant Examiner — James T Tyree

(74) *Attorney, Agent, or Firm* — Daryl R. Wright; Greg Carr

(57) **CLAIM**

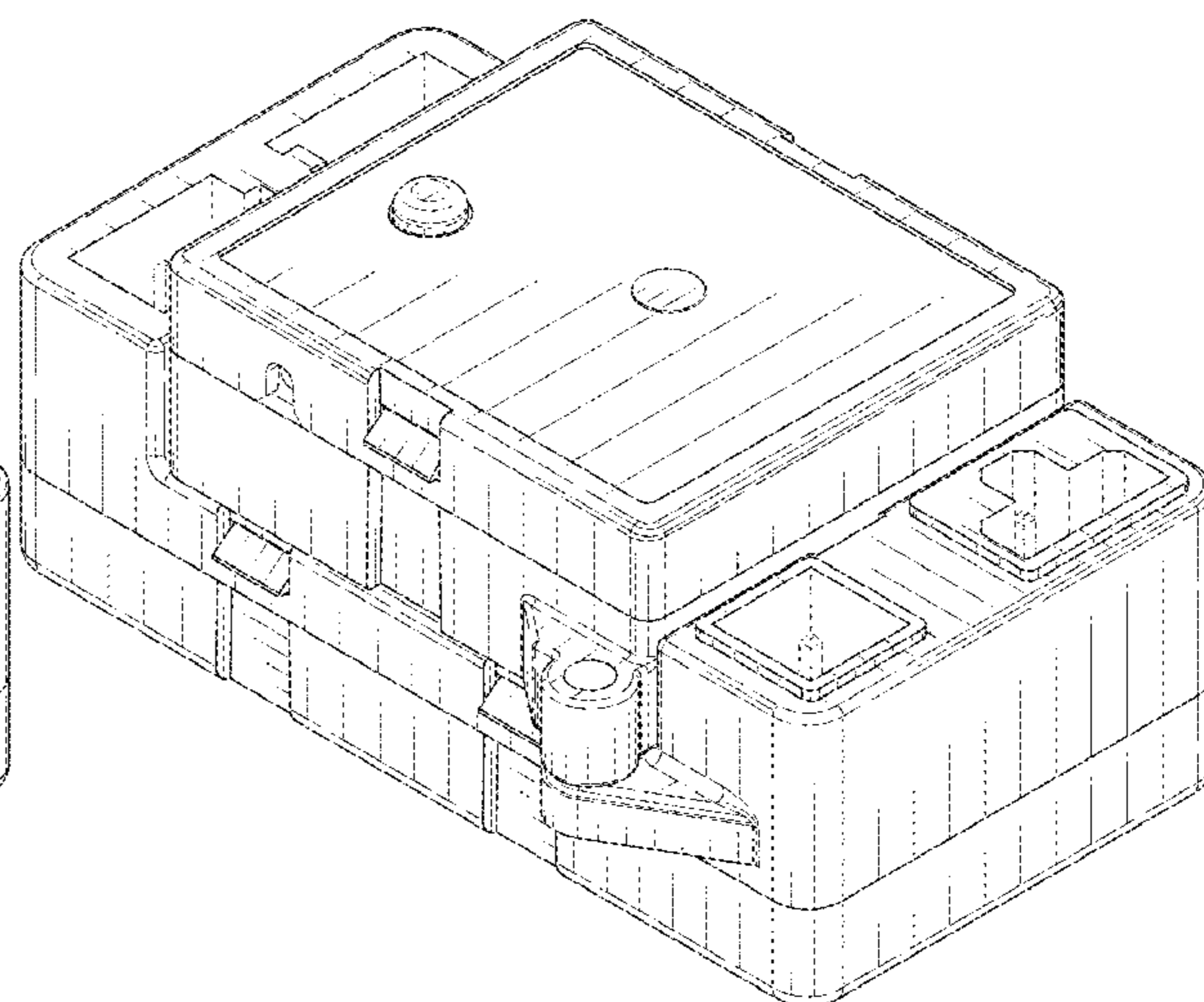
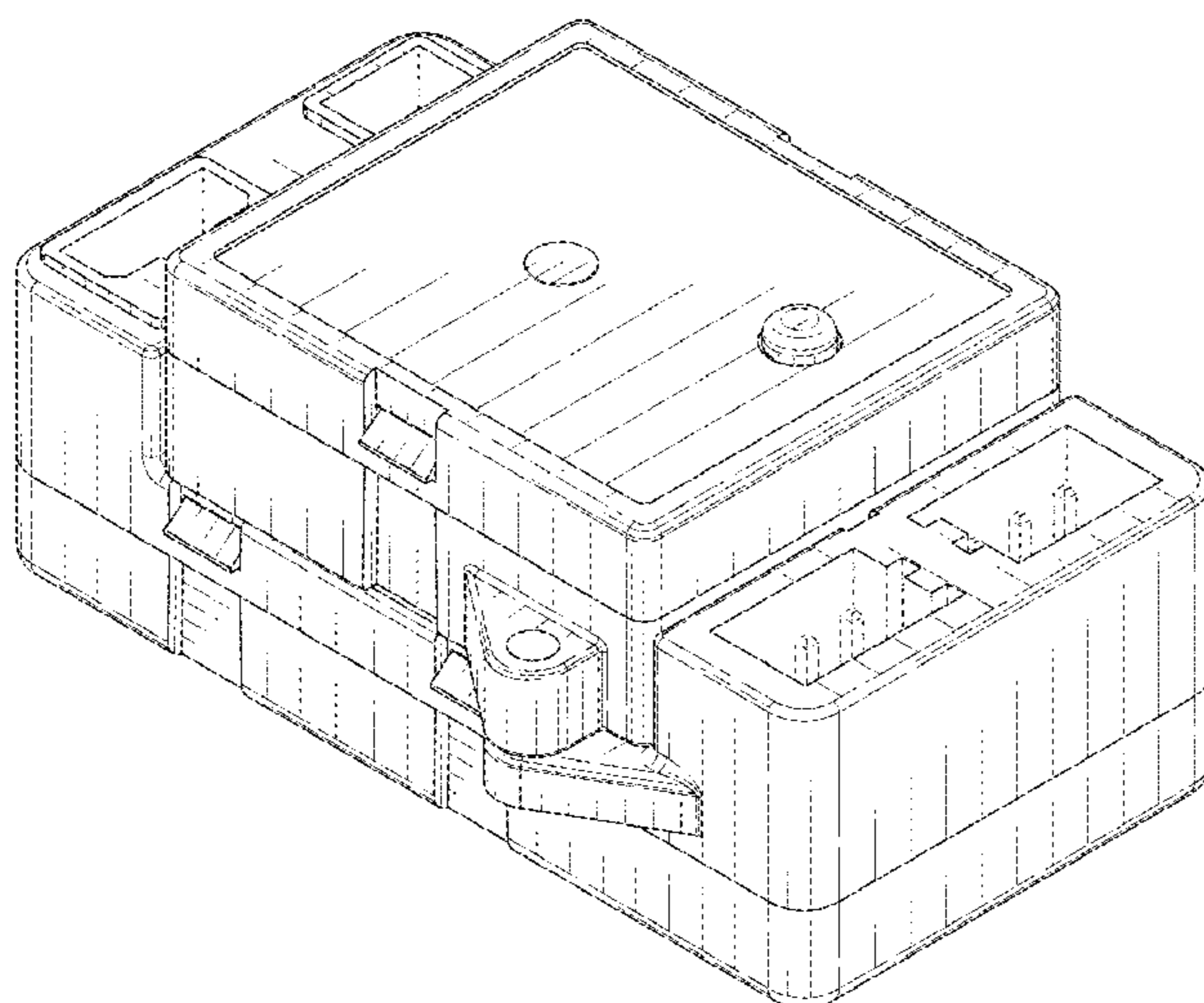
The ornamental design for a model vehicle electronics case assembly as shown and described.

DESCRIPTION

FIG. 1 is an upper, left, front perspective view of a model vehicle electronics case assembly showing our new design; FIG. 2 is an upper, right, rear perspective view thereof; FIG. 3 is a lower, right, front perspective view thereof; FIG. 4 is a lower, left, rear perspective view thereof; FIG. 5 is a front elevation view thereof; FIG. 6 is a rear elevation view thereof; FIG. 7 is an upper plan view thereof; FIG. 8 is a lower plan view thereof; FIG. 9 is a right-side elevation view thereof; and, FIG. 10 is a left-side elevation view of a model vehicle electronics case assembly.

In the drawings, the broken lines illustrate portions of the model vehicle electronics case assembly that form no part of the claimed design.

1 Claim, 7 Drawing Sheets



(56)

References Cited

U.S. PATENT DOCUMENTS

D768,585	S	*	10/2016	Moore	D13/184
D799,474	S		10/2017	Menedez et al.		
D807,207	S	*	1/2018	Seo	D10/49
D809,406	S	*	2/2018	Seo	D10/49
D854,497	S	*	7/2019	Lau	D13/108
D978,820	S		2/2023	Kim et al.		
D1,029,798	S	*	6/2024	Mai	D14/217
D1,033,560	S	*	7/2024	Nezu	D21/333
D1,058,701	S	*	1/2025	Ewing	D21/562
D1,061,430	S	*	2/2025	Cao	D13/108
D1,072,092	S	*	4/2025	Ewing	D21/566
D1,074,837	S	*	5/2025	Healy	D21/468
2021/0332873	A1	*	10/2021	Blesener	H02K 7/116

FOREIGN PATENT DOCUMENTS

CN	305821497		*	6/2020		
CN	308335260	S	*	11/2023	13/3
EM	015094929-0021			3/2025		
EP	015093047-0013		*	2/2025		
GB	6265736			3/2023		
GB	6303605		*	8/2023	3/1
KR	3008373910000		*	2/2016	21/1

OTHER PUBLICATIONS

Amazon Website, Ccheqvan Speed Controller Set, Earliest Available Date: Apr. 13, 2025 [Website Visited Sep. 25, 2025] Available on the Internet URL <https://www.amazon.com/dp/B0F38QYV61/> (Year: 2025).*

Amazon Website, Traxxas Brushless Power System, No Available Date [Website Visited Sep. 25, 2025] Available on the Internet URL <https://www.amazon.com/dp/B0CHXP3YGJ/> (Year: 2025).*

Traxxas Website, Traxxas Speed Control, No Available Date [Website Visited Jan. 9, 2026] Available on the Internet URL <https://traxxas.com/6254-ecm-brushless-3-channel> (Year: 2026).*

Amazon Website, Traxxas Brushless Power System, No Available Date [Website Visited Jan. 9, 2026] Available on the Internet URL <https://www.amazon.com/dp/B0G5VYWMLJ/> (Year: 2026).*

Amazon Website, Traxxas Electric Control Module, Earliest Available Date: Mar. 2, 2023 [Website Visited Jan. 9, 2026] Available on the Internet URL <https://www.amazon.com/dp/B0C4TR6CTP/> (Year: 2023).*

Traxxas 1/10 Slash 4x4 VELINEON 3500 Brushless Motor, Jul. 31, 2016, amazon.com, site visited Aug. 28, 2024, URL: <https://www.amazon.com/Traxxas-VELINEON-BRUSHLESS-VXL-3s-WATERPROOF/dp/B01JF6S12S> (Year: 2016).

GoolRC 60A 2S-3S Brushed ESC Waterproof Electronic Speed Controller Replacement for 1/10 Tamiya Traxxas Redcat HSP HPI RC Car, Amazon Website, Earliest Comment Date: Mar. 24, 2023 [Website Visited Sep. 30, 2024] Available on the Internet URL: <https://www.amazon.com/dp/B08FBXKF3R/> (Year: 2023).

Traxxas Electronic Speed Control, Traxxas Website, No. Available Date [Website Visited Sep. 30, 2024] Available on the Internet URL: <https://traxxas.com/products/parts/3382> (Year: 2024).

Traxxas Esc BL-2S Waterproof FWD/REV, Amazon Website, No. Available Date [Website Visit Sep. 30, 2024] Available on the Internet URL: <https://www.amazon.com/dp/B0CRMMW3GS>. (Year: 2024).

Velineon VXL-4S Brushless Power System, Traxxas Website, No. Available Date [Website Visited Aug. 18, 2025] Available on the Internet, URL <https://traxxas.com/3440-velineon-vxl-4s-brushless-power-system> (Year: 2025).

Traxxas Velineon 3350R Brushless Remote Control Car Power System, Walmart Website, Earliest Comment Date: Mar. 20, 2025 [Website Visited Aug. 18, 2025] Available on the Internet, URL <https://www.walmart.com/ip/174747218> (Year: 2025).

9IMOD Wp 1060 Brushed 2-3s ESC Tamiya-Plug, Amazon Website, No. Available Date [Website Visited Aug. 18, 2025] Available on the Internet, URL <https://www.amazon.com/dp/B0FH2VK5D1> (Year: 2025).

* cited by examiner

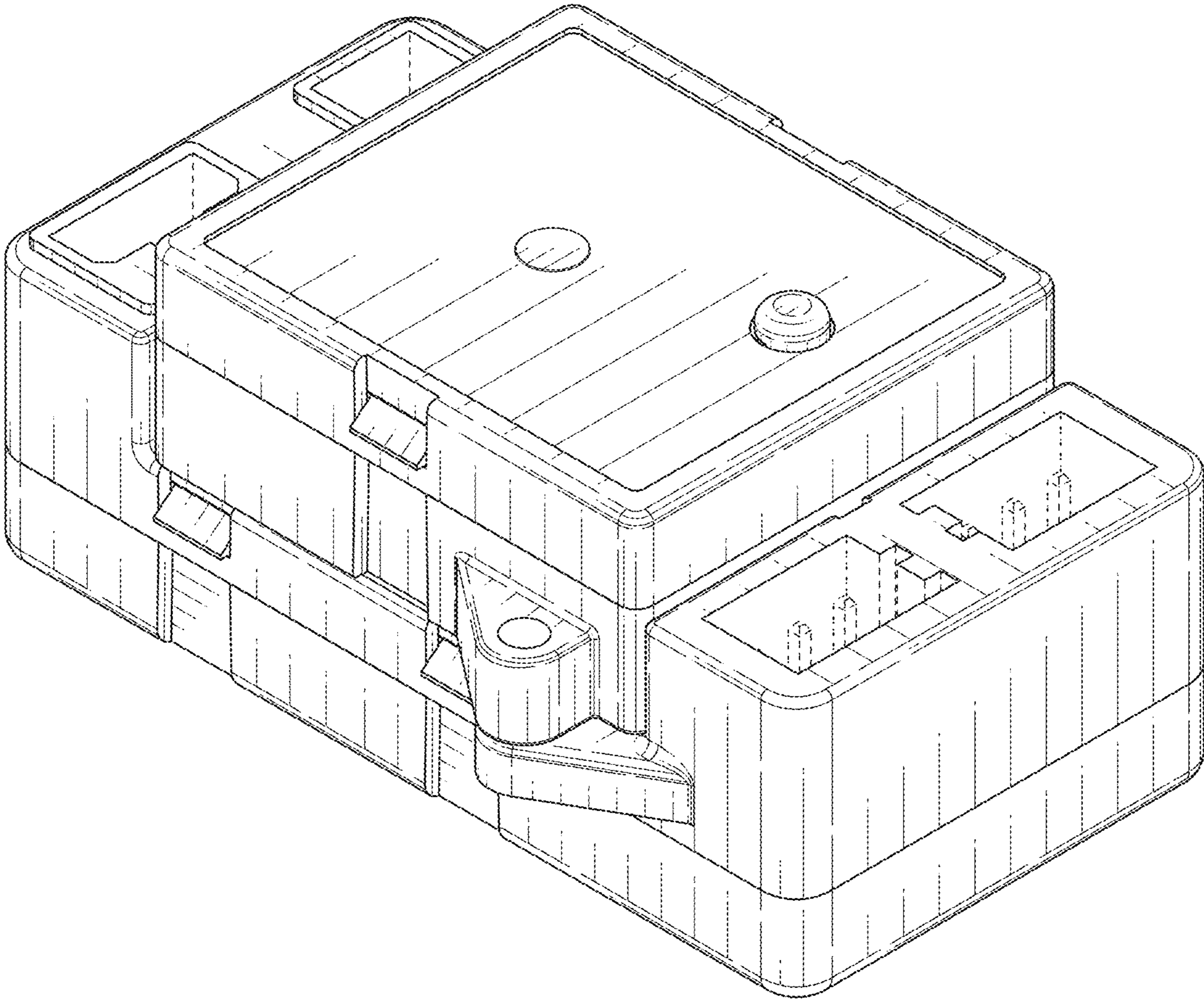


FIG. 1

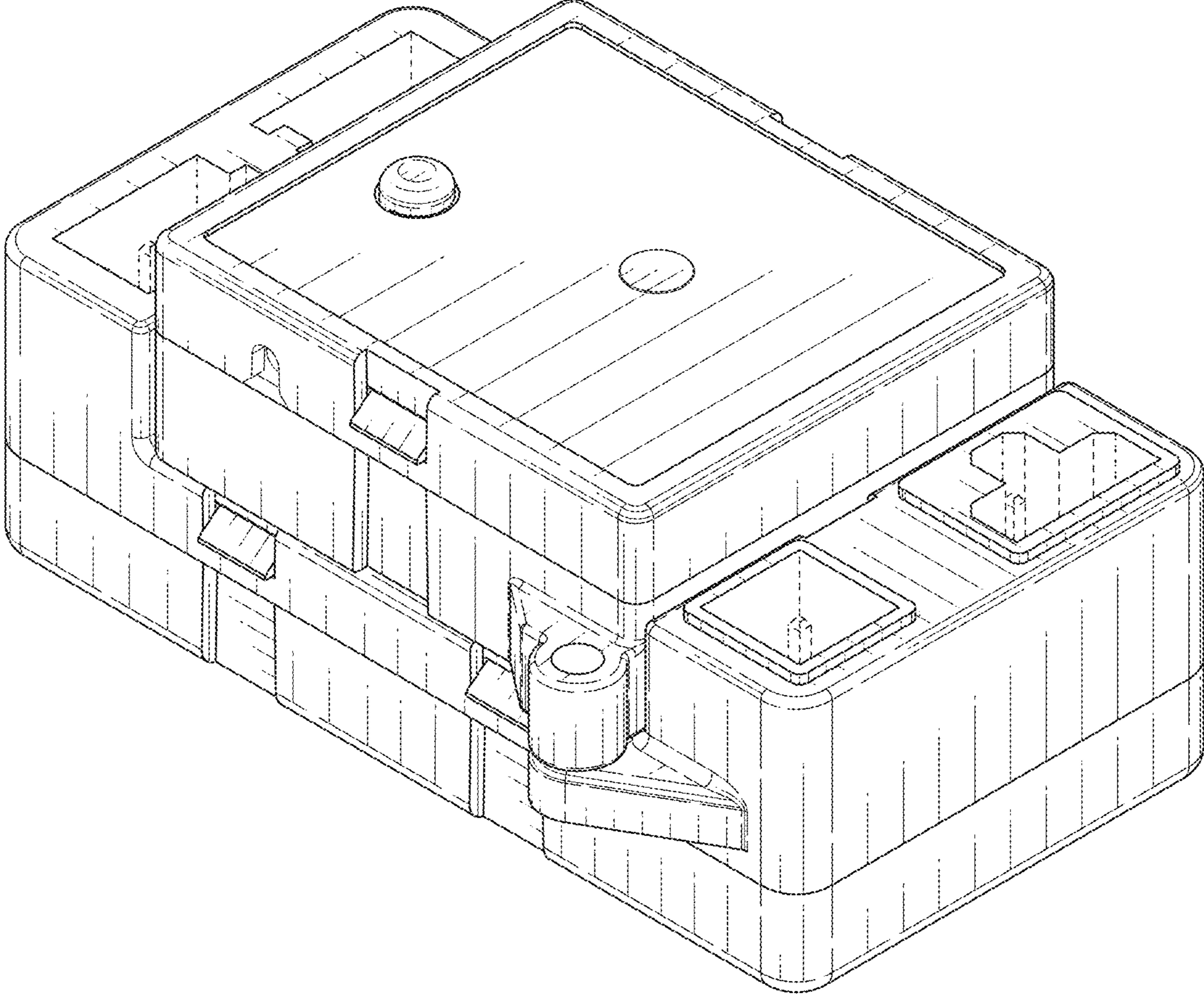


FIG. 2

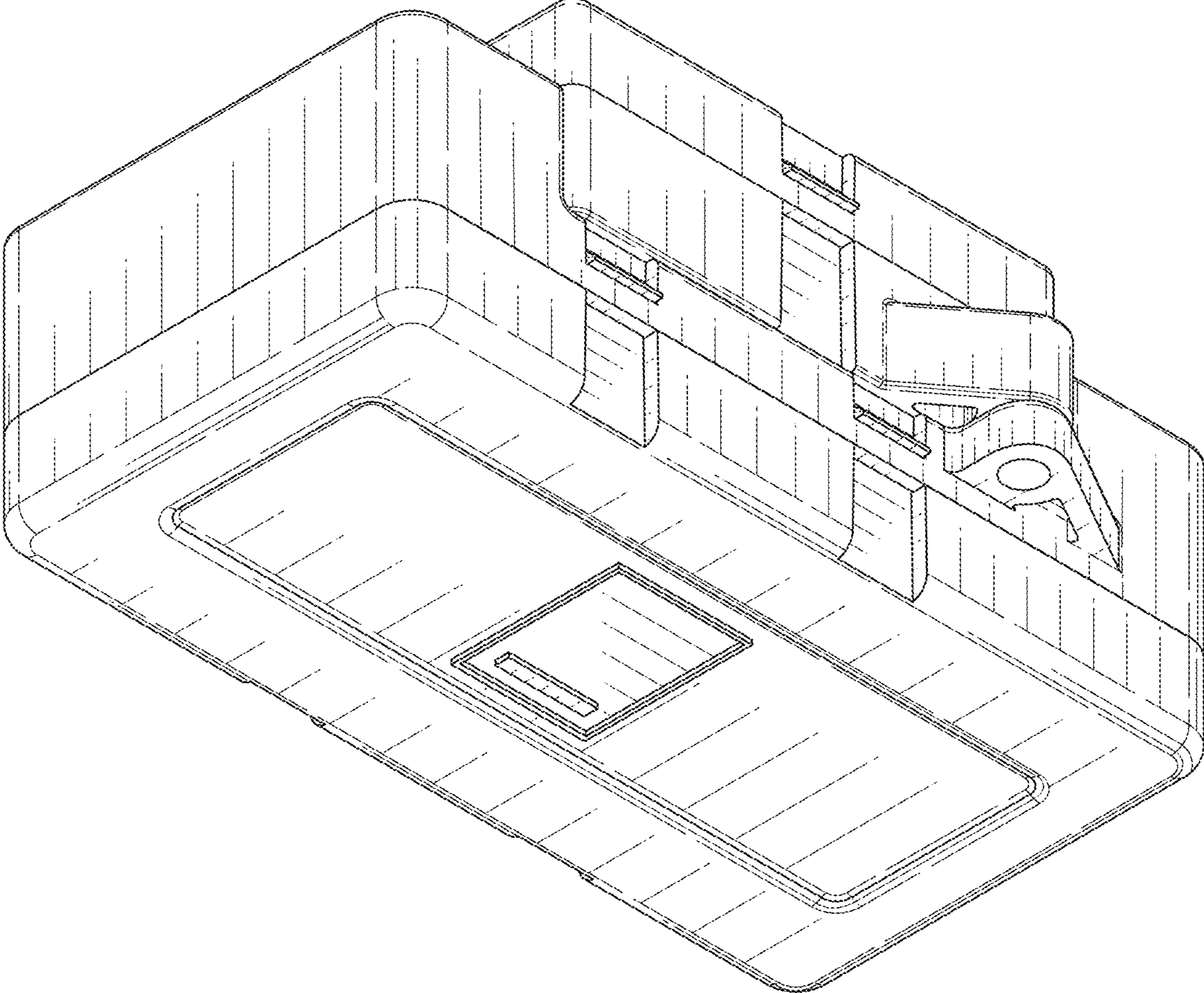


FIG. 3

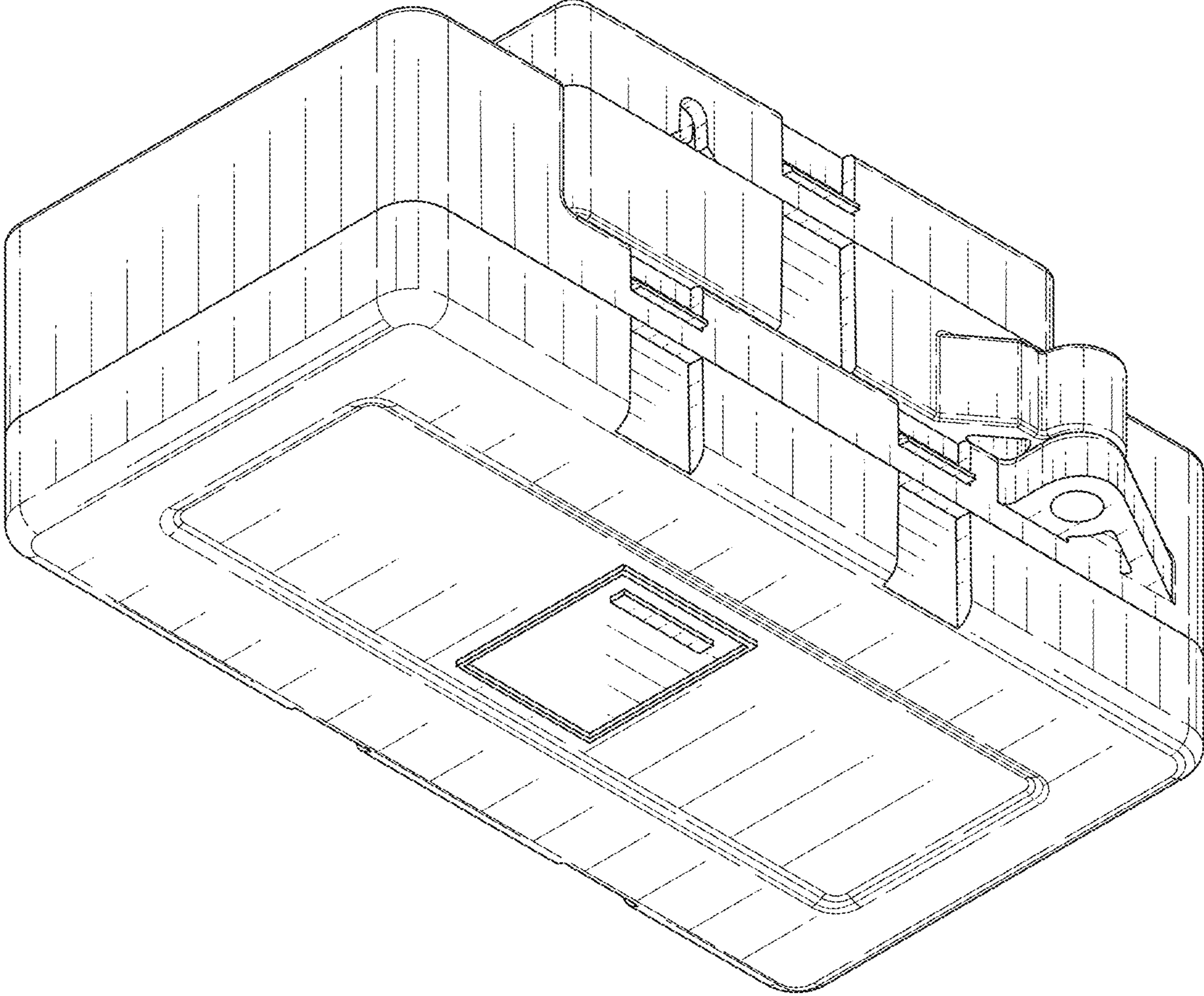


FIG. 4

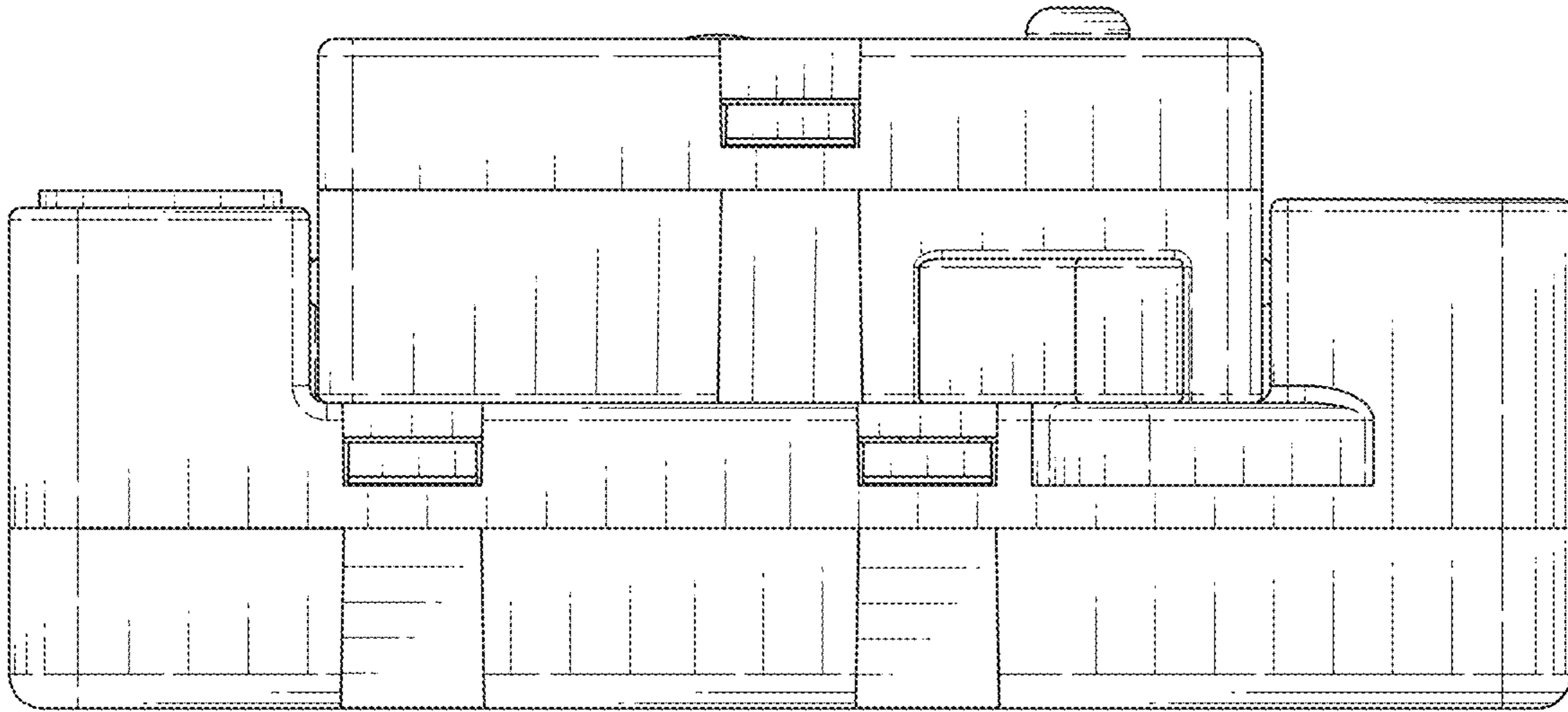


FIG. 5

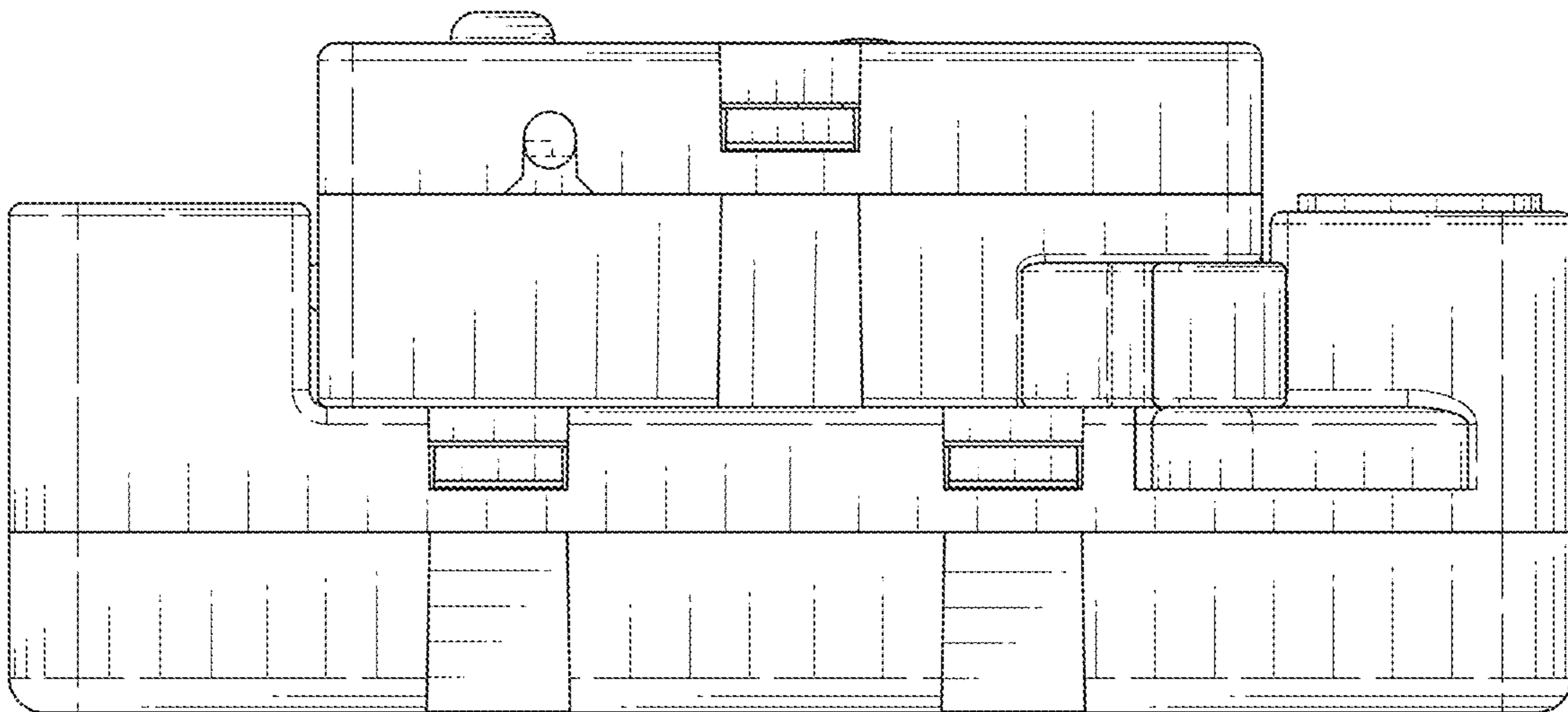


FIG. 6

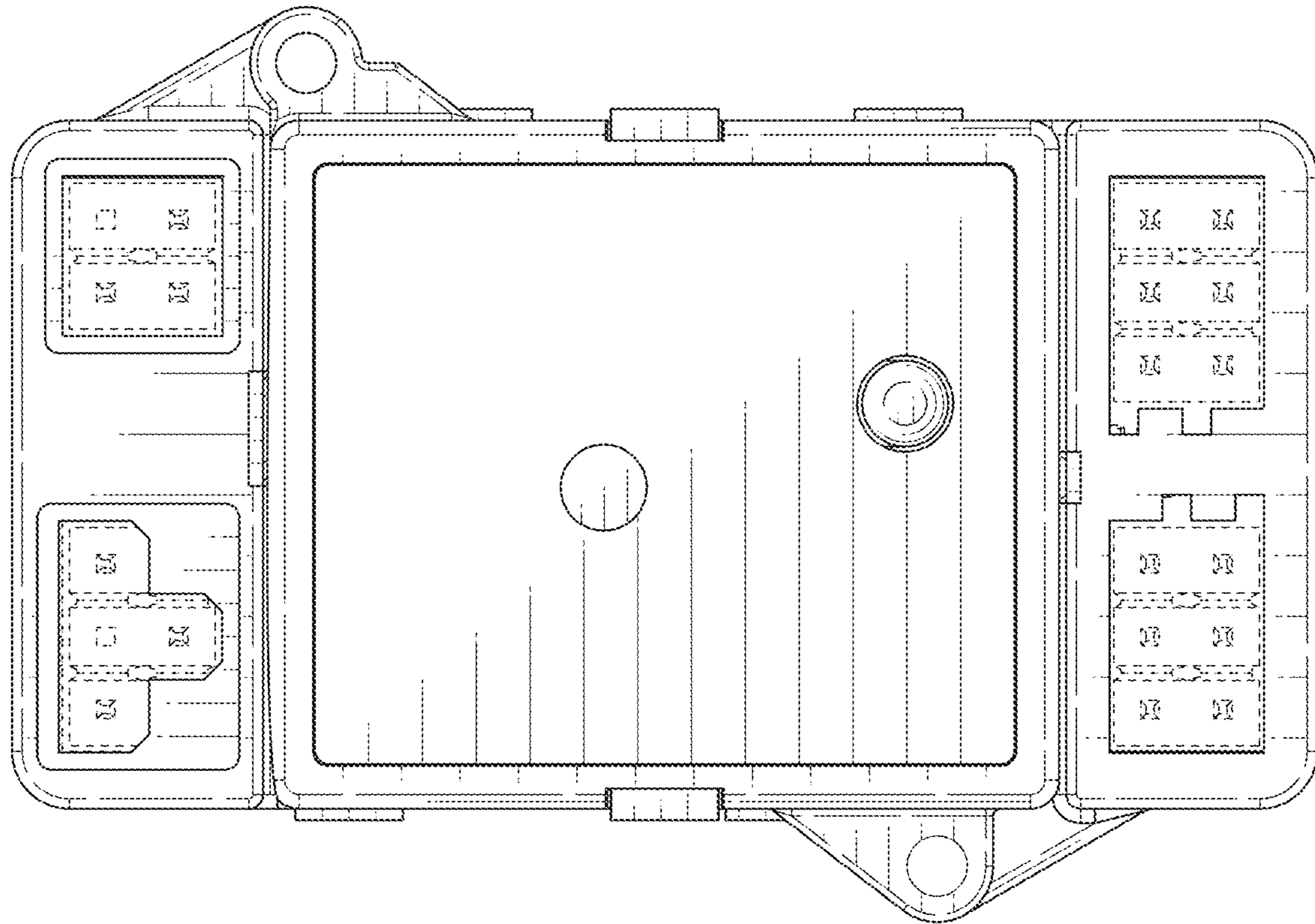


FIG. 7

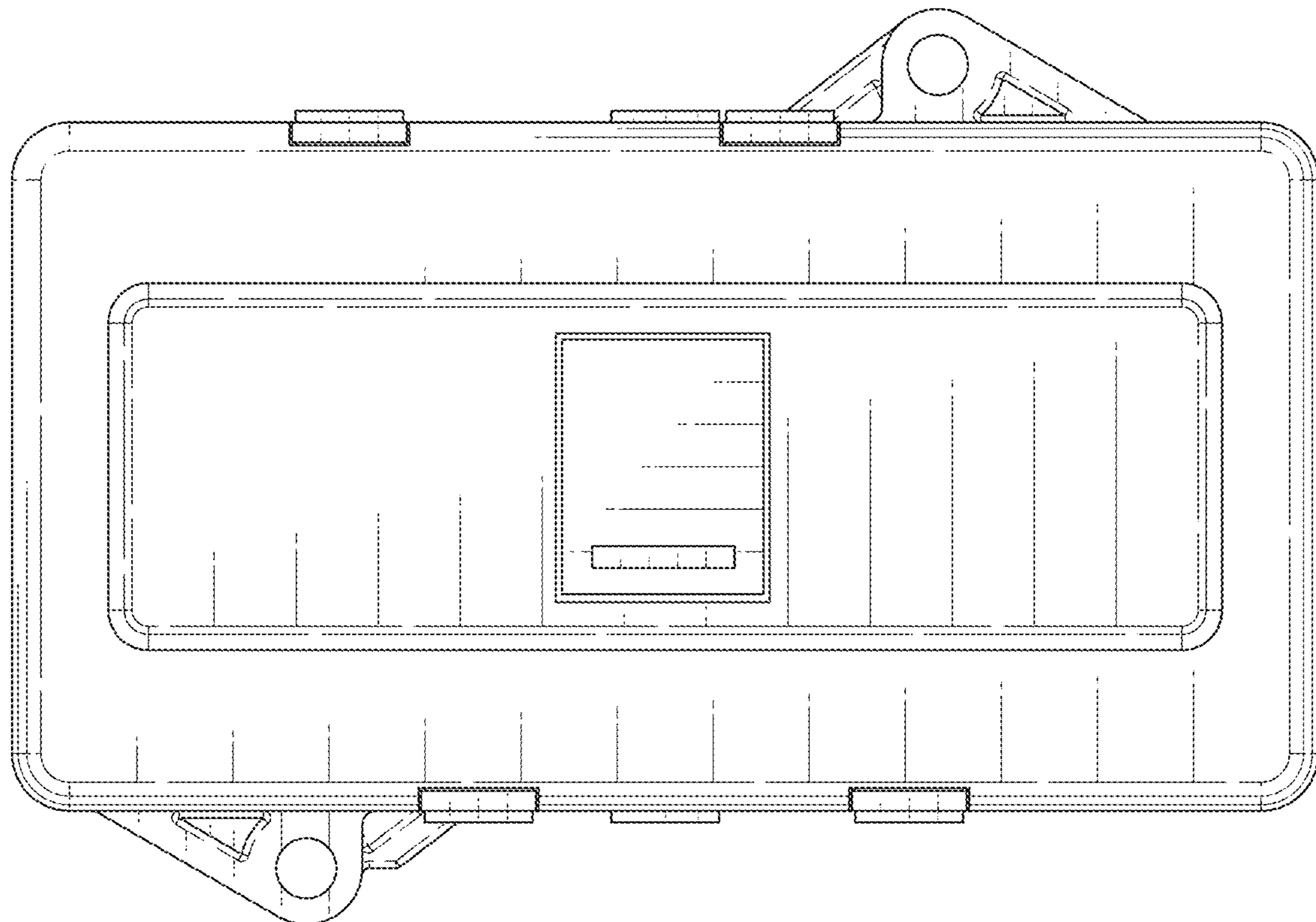


FIG. 8

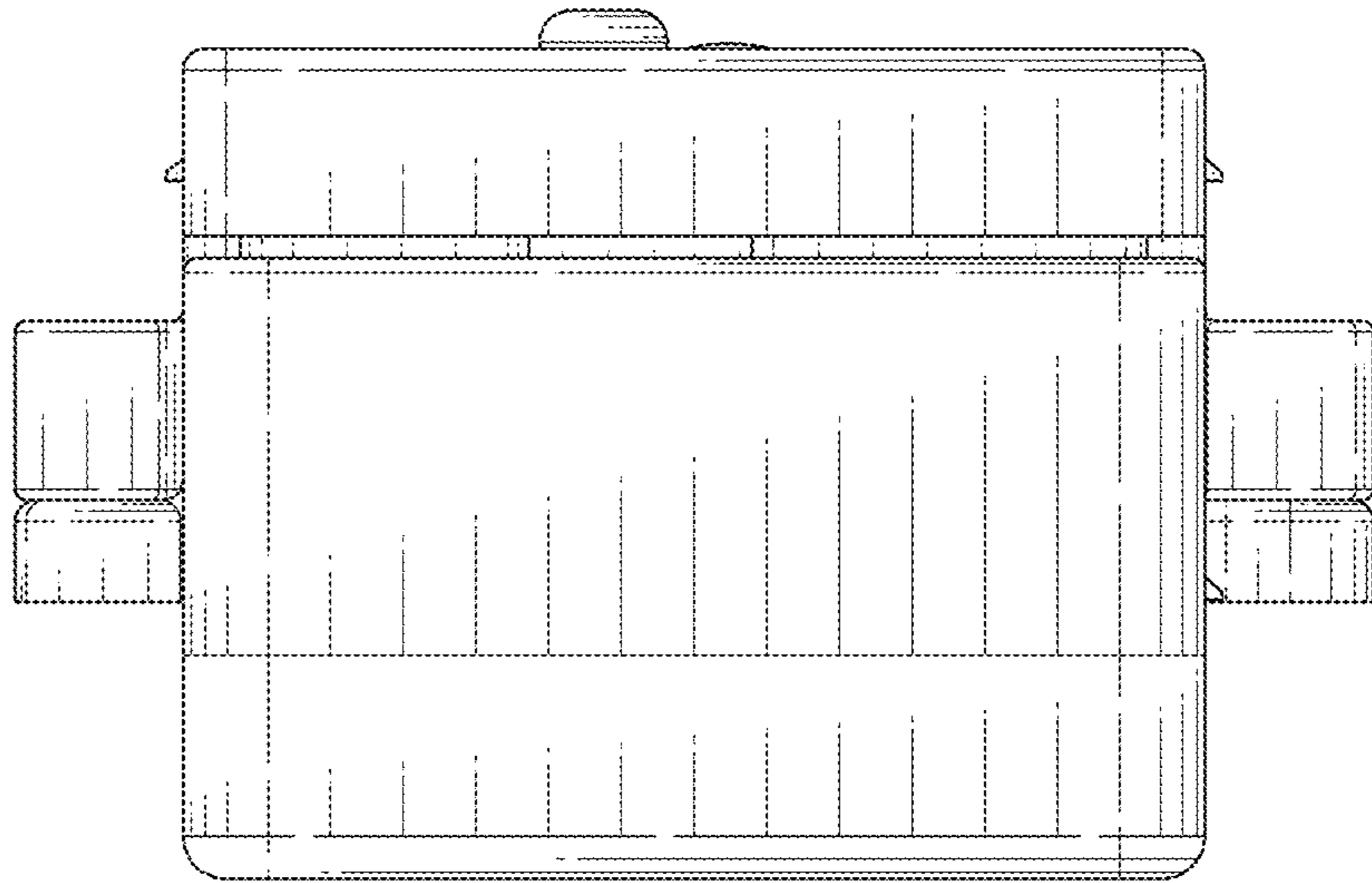


FIG. 9

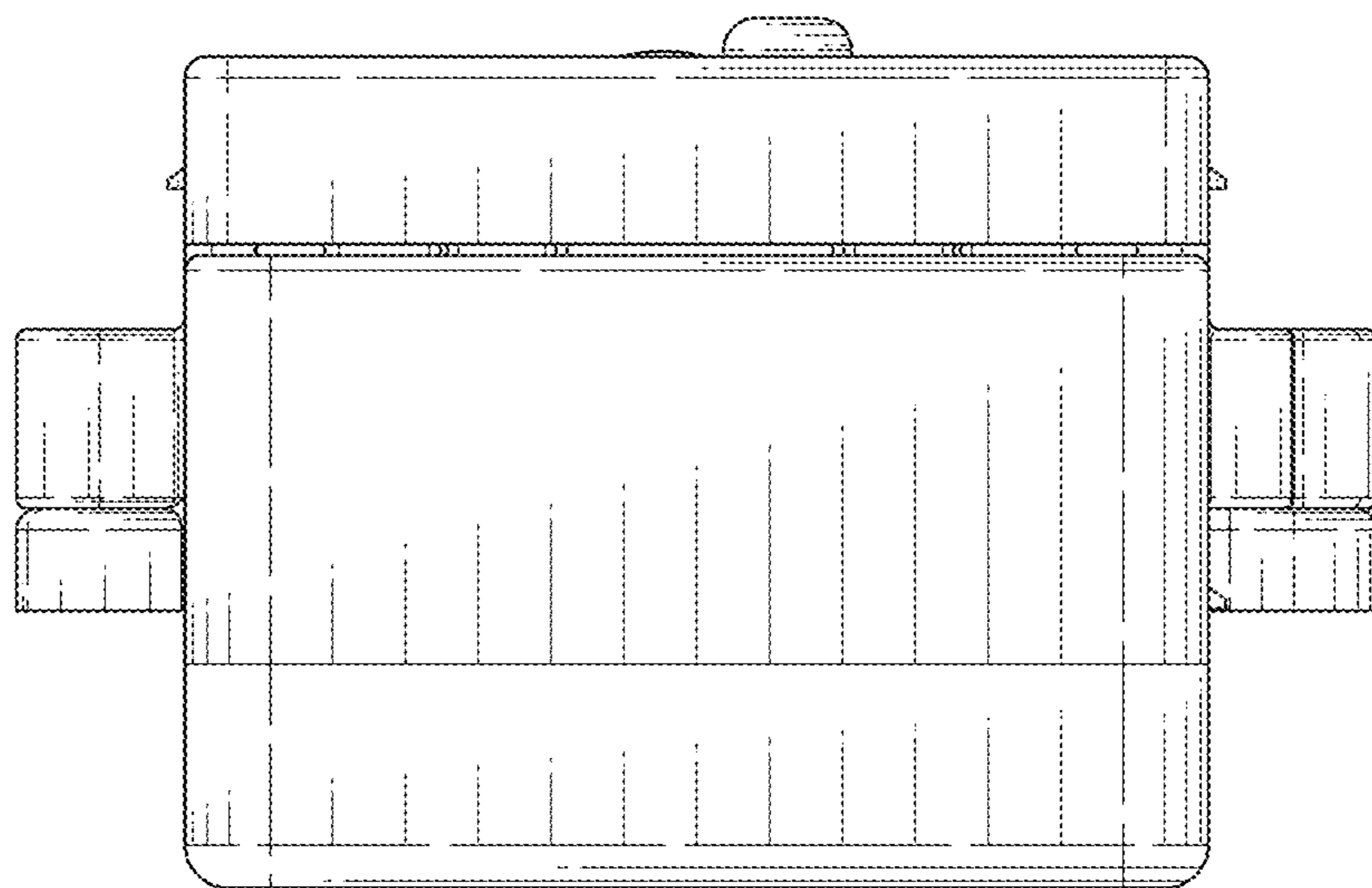


FIG. 10