



US0D1120135S

(12) **United States Design Patent**
House et al.

(10) **Patent No.: US D1,120,135 S**

(45) **Date of Patent: ** Mar. 24, 2026**

(54) **MODEL VEHICLE CHASSIS BRACE**

(71) Applicant: **TRAXXAS, L.P.**, McKinney, TX (US)

(72) Inventors: **Noah House**, Sachse, TX (US); **Caleb Hix**, McKinney, TX (US); **Ross Martin**, North Richland Hills, TX (US); **Adam Cole Ewing**, McKinney, TX (US); **Otto Karl Allmendinger**, Rowlett, TX (US)

(73) Assignee: **TRAXXAS, L.P.**, McKinney, TX (US)

(**) Term: **15 Years**

(21) Appl. No.: **29/958,917**

(22) Filed: **Aug. 22, 2024**

(51) **LOC (15) Cl.** **21-01**

(52) **U.S. Cl.**
USPC **D21/561**; D21/533; D21/562

(58) **Field of Classification Search**
USPC D21/561, 533, 562, 565, 424, 595, 495,
D21/489, 491, 483, 563; D12/195
CPC A63H 17/262; A63H 18/08
See application file for complete search history.

(56) **References Cited**

U.S. PATENT DOCUMENTS

D475,001 S *	5/2003	Roll	D12/159
D532,720 S *	11/2006	McGarry	B62M 9/00
				D12/127
D601,465 S *	10/2009	McGarry	D12/127
D621,417 S *	8/2010	McGarry	D15/5
D621,851 S *	8/2010	McGarry	D15/5
D631,408 S *	1/2011	Brodsky	D12/179
D752,483 S	3/2016	Oliver		
D785,513 S *	5/2017	Park	D12/159
D788,653 S *	6/2017	Smith	D12/159
D790,416 S *	6/2017	Pritts	D12/179
D794,512 S *	8/2017	McGarry	D12/127

(Continued)

FOREIGN PATENT DOCUMENTS

CN 304904482 S * 11/2018 21/1
EM 015093047-0007 * 2/2025

(Continued)

OTHER PUBLICATIONS

Traxxas Website, Traxxas Chassis Brace, No Available Date [Website Visited Sep. 4, 2025], Available on the Internet URL <https://traxxas.com/8321-grn-green-aluminum-front-chassis-brace> (Year: 2025).*

(Continued)

Primary Examiner — Michael C Stout

Assistant Examiner — James T Tyree

(74) *Attorney, Agent, or Firm* — Daryl R. Wright; Greg Carr

(57) **CLAIM**

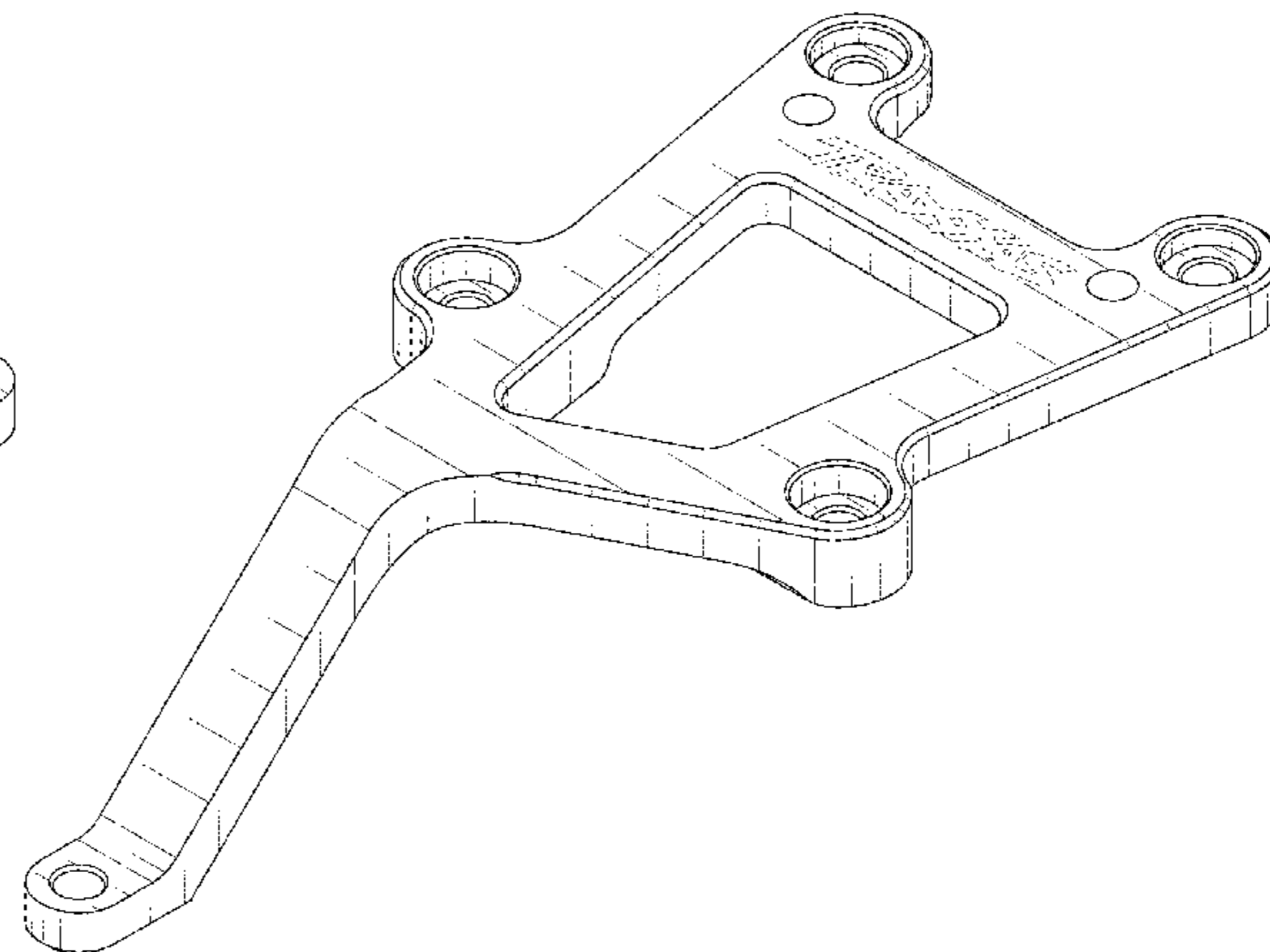
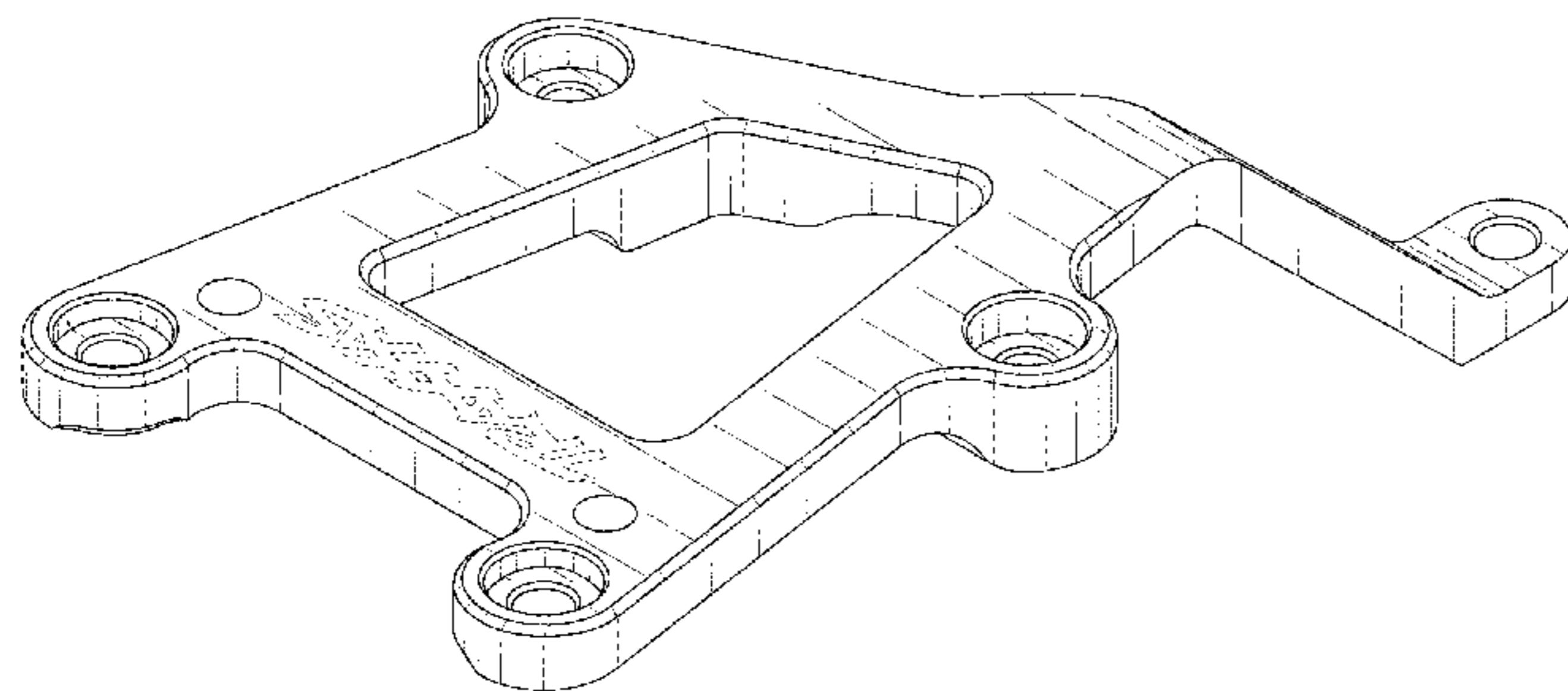
The ornamental design for a model vehicle chassis brace as shown and described.

DESCRIPTION

FIG. 1 is an upper, left, front perspective view of a model vehicle chassis brace showing our new design; FIG. 2 is an upper, right, rear perspective view thereof; FIG. 3 is a lower, right, front perspective view thereof; FIG. 4 is a lower, left, rear perspective view thereof; FIG. 5 is a front elevation view thereof; FIG. 6 is a rear elevation view thereof; FIG. 7 is an upper plan view thereof; FIG. 8 is a lower plan view thereof; FIG. 9 is a right-side elevation view thereof; and, FIG. 10 is a left-side elevation view of the model vehicle chassis brace.

In the drawings, the broken lines illustrate portions of the model vehicle chassis brace that form no part of the claimed design.

1 Claim, 8 Drawing Sheets



(56)

References Cited

U.S. PATENT DOCUMENTS

D865,079 S * 10/2019 Ewing A63H 17/262
 D12/159
 D867,475 S * 11/2019 Ewing A63H 17/262
 D12/159
 D875,002 S * 2/2020 Chan D12/177
 D875,186 S * 2/2020 Ewing B60G 7/001
 D12/159
 D905,798 S * 12/2020 Ewing D12/159
 D929,507 S * 8/2021 Ewing D12/159
 D949,752 S 4/2022 McGaughy
 D968,526 S 11/2022 Hagler et al.
 D968,527 S 11/2022 Hagler et al.
 D996,529 S * 8/2023 Allmendinger D21/562
 D998,058 S * 9/2023 Allmendinger D21/562
 D1,040,254 S * 8/2024 Ewing D21/561
 D1,043,459 S * 9/2024 Ewing D12/159
 D1,055,976 S * 12/2024 Martinez D15/5
 D1,107,079 S * 12/2025 Kellar D15/28
 D1,107,136 S * 12/2025 Perez D21/562
 2017/0274932 A1 * 9/2017 Byrnes, Jr. B60G 7/008

FOREIGN PATENT DOCUMENTS

GB 6007823 * 2/2017 21/1
 GB 90054310380003 * 7/2018 21/1
 GB 90054310380004 * 7/2018
 GB 6207301 * 6/2022

OTHER PUBLICATIONS

Amazon Website, Traxxas Chassis Brace, No Available Date [Website Visited Sep. 4, 2025], Available on the Internet URL <https://www.amazon.com/dp/B0DWDG2LZGJ/> (Year: 2025).*

Amazon Website, Hot Racing Chassis Brace, Earliest Comment Date: Feb. 3, 2018 [Website Visited Sep. 4, 2025], Available on the Internet URL <https://www.amazon.com/dp/B077T95HZ2/> (Year: 2018).*

Amazon Website, GPM Damper Plate, No. Available Date [Website Visited Jan. 8, 2026] Available on the Internet URL <https://www.amazon.com/dp/BOB2FFX3F5/> (Year: 2026).*

Amazon Website, Traxxas Heavy Duty Suspension Arms, Earliest Available Date: Apr. 12, 2018 [Website Visited Jan. 8, 2026] Available on the Internet URL <https://www.amazon.com/dp/B07C56TWNYY/> (Year: 2018).*

Amazon Website, GPM, Front Top Plate, Earliest Available Date: Jul. 7, 2021 [Website Visited Jan. 8, 2026] Available on the Internet URL <https://www.amazon.com/dp/B098TDLR1X/> (Year: 2021).*

* cited by examiner

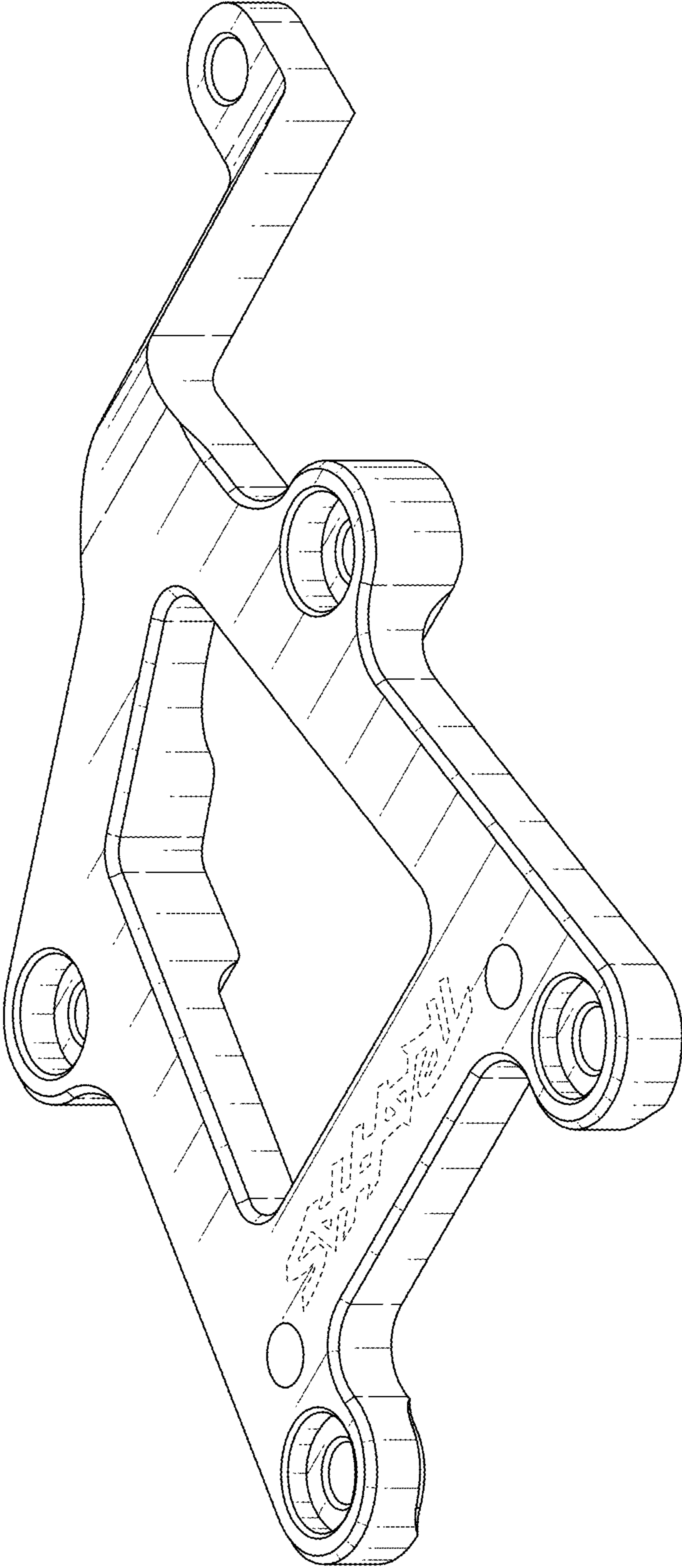


FIG. 1

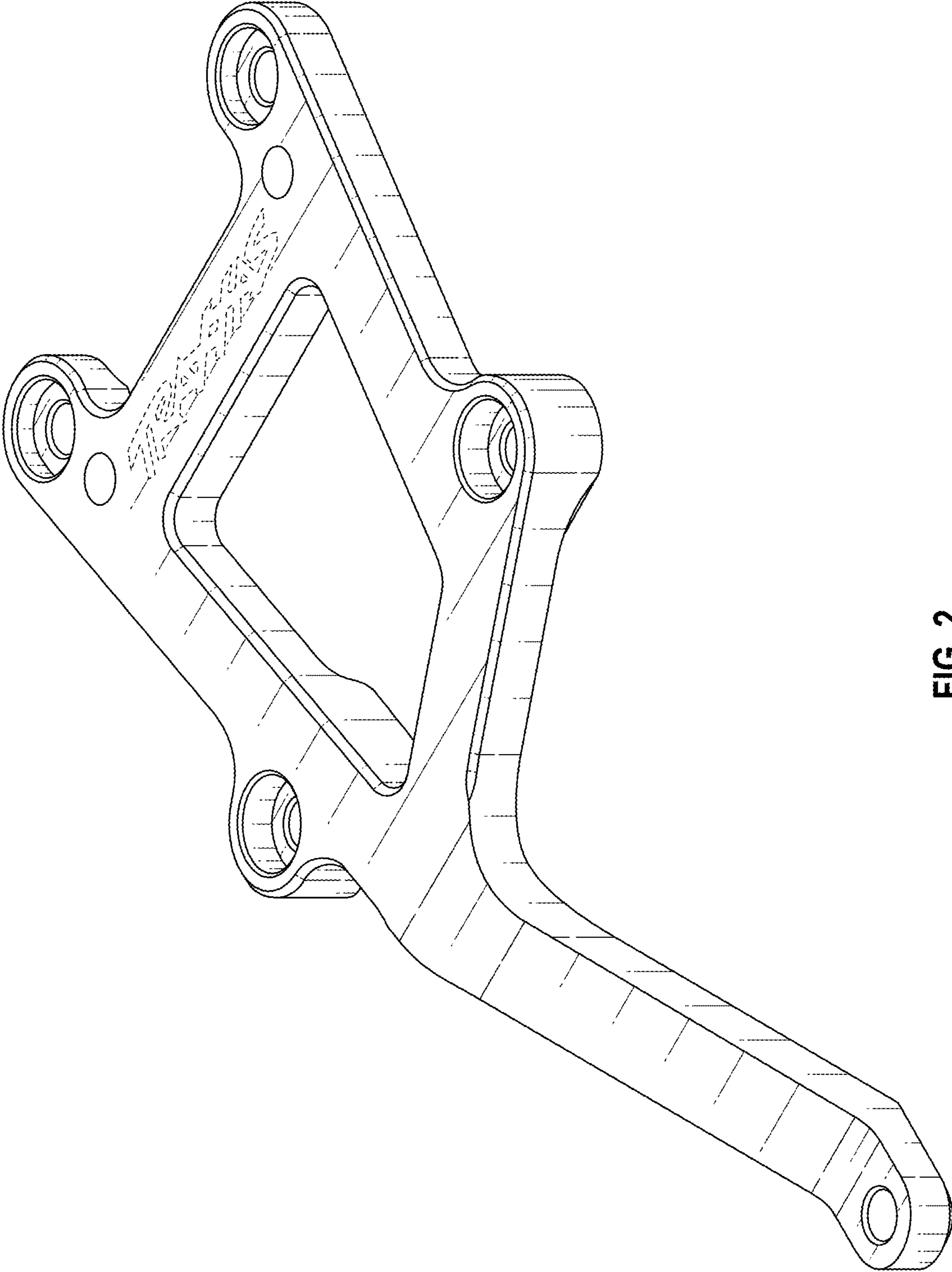


FIG. 2

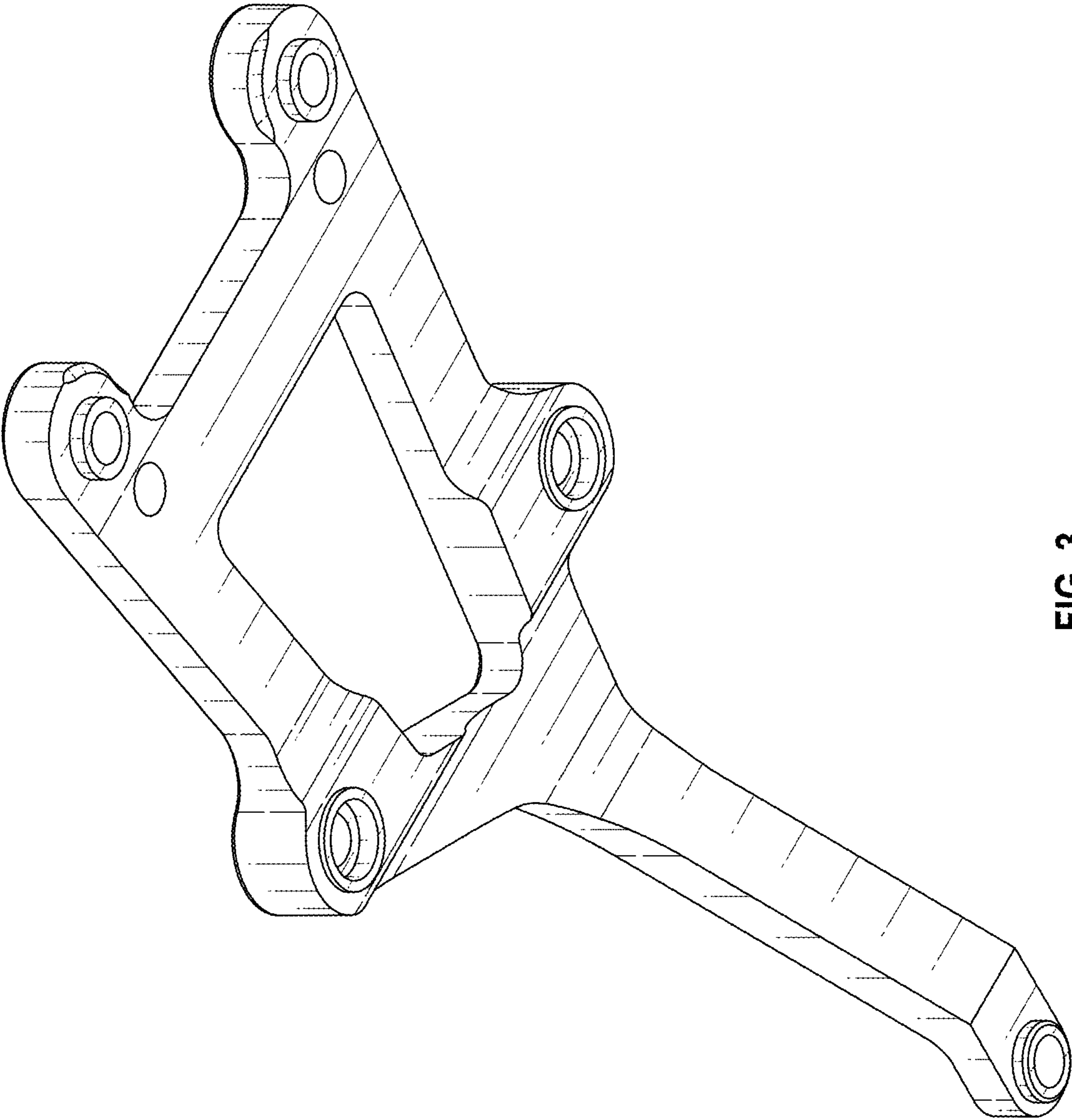


FIG. 3

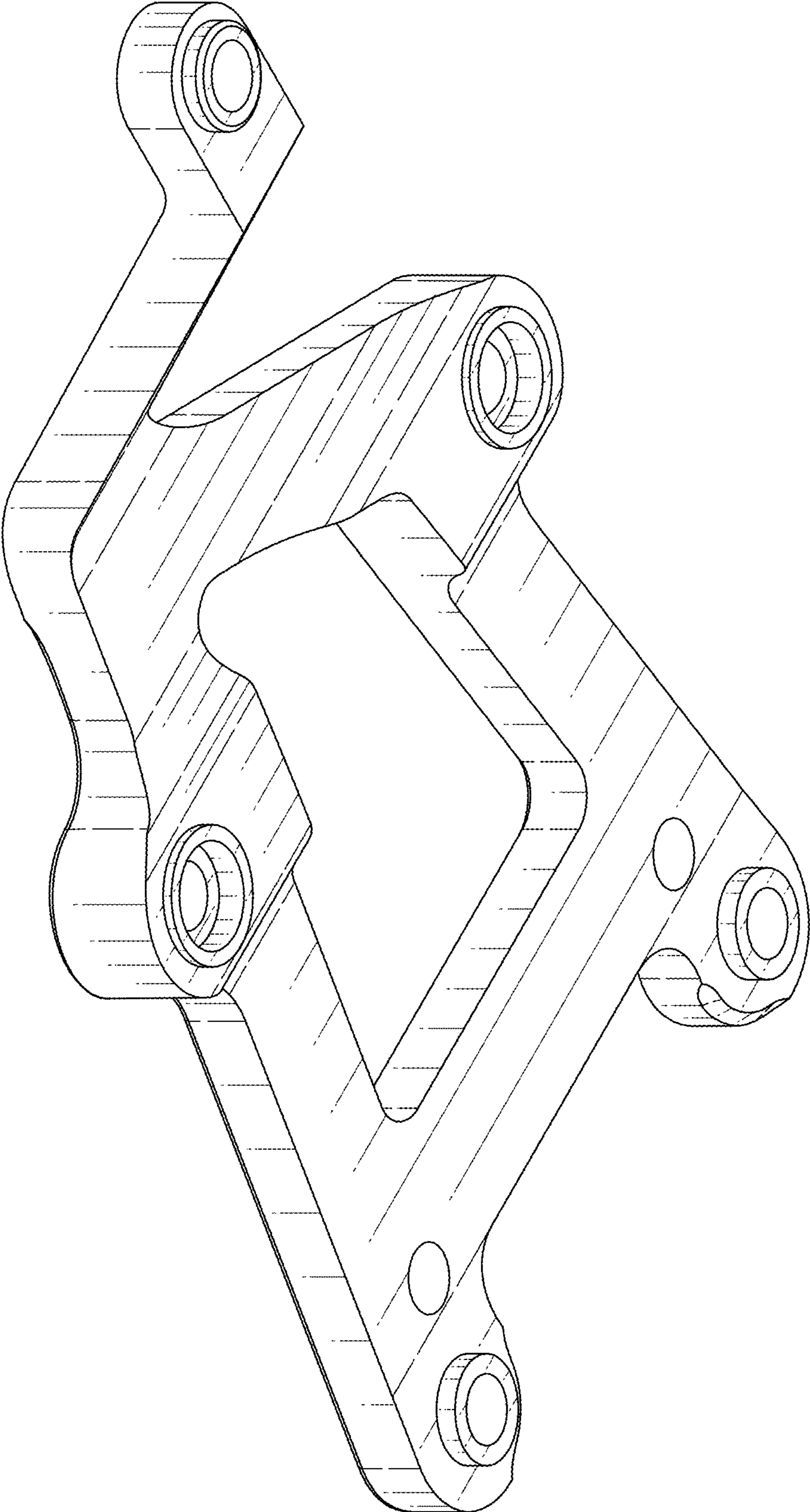


FIG. 4

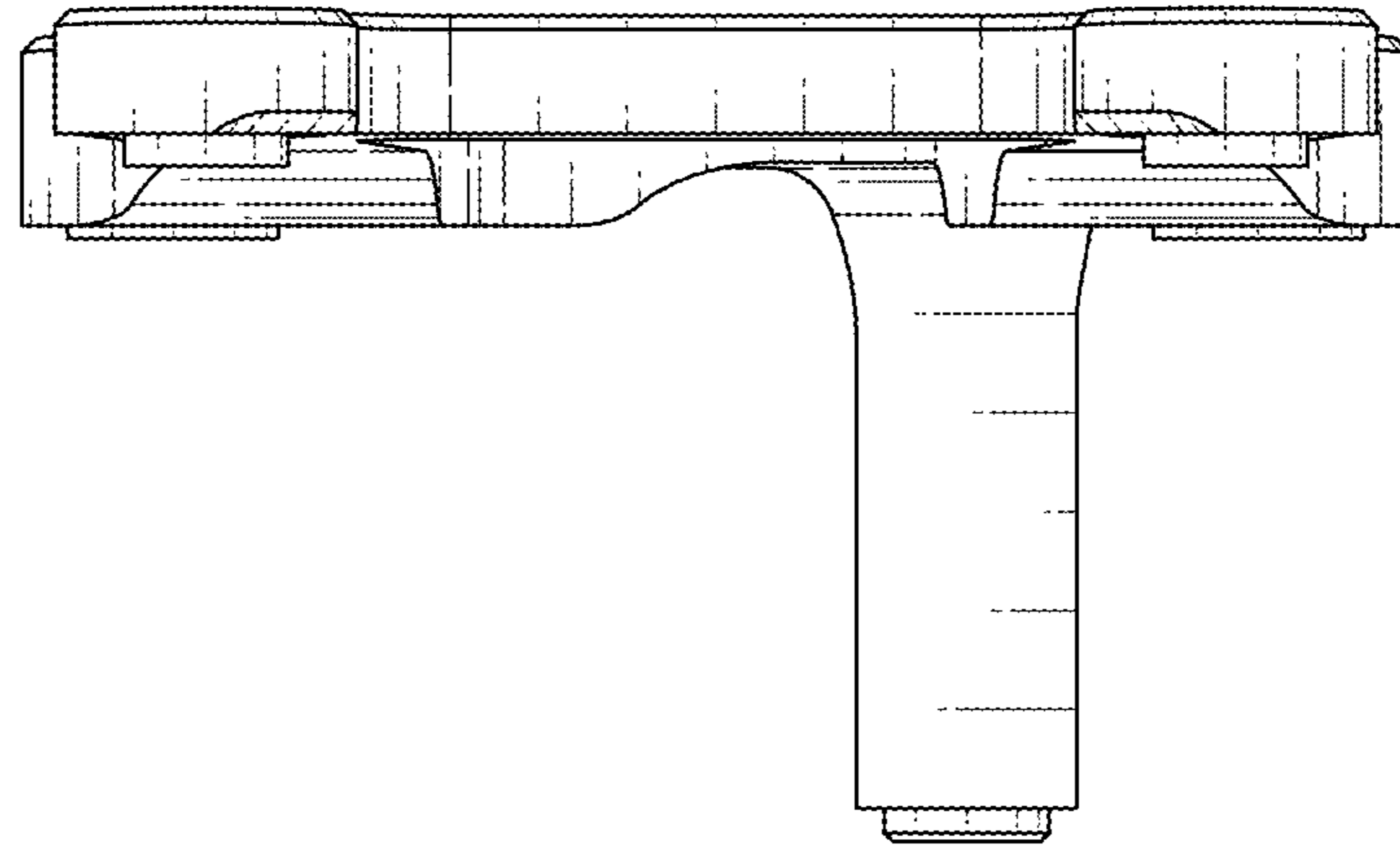


FIG. 5

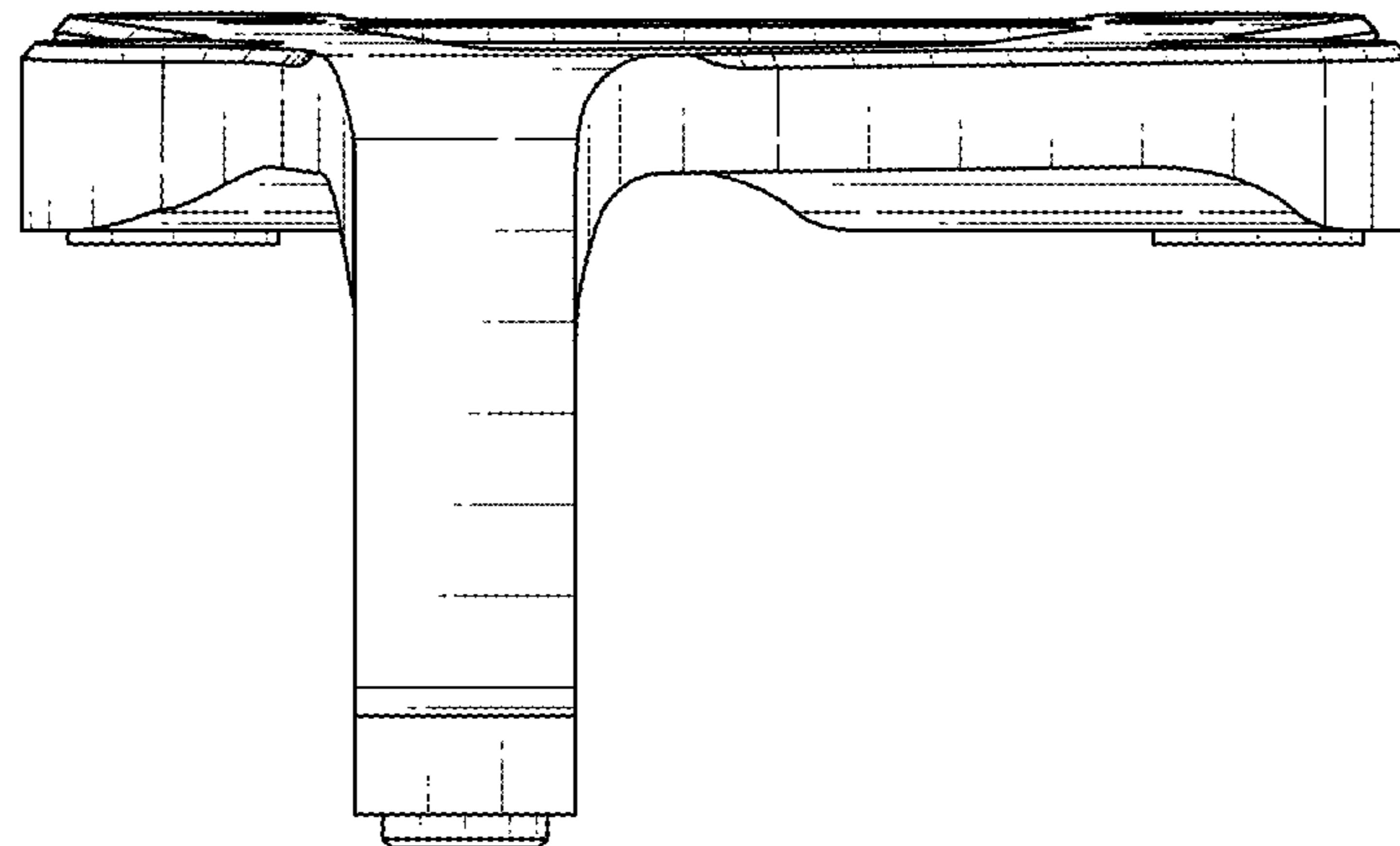


FIG. 6

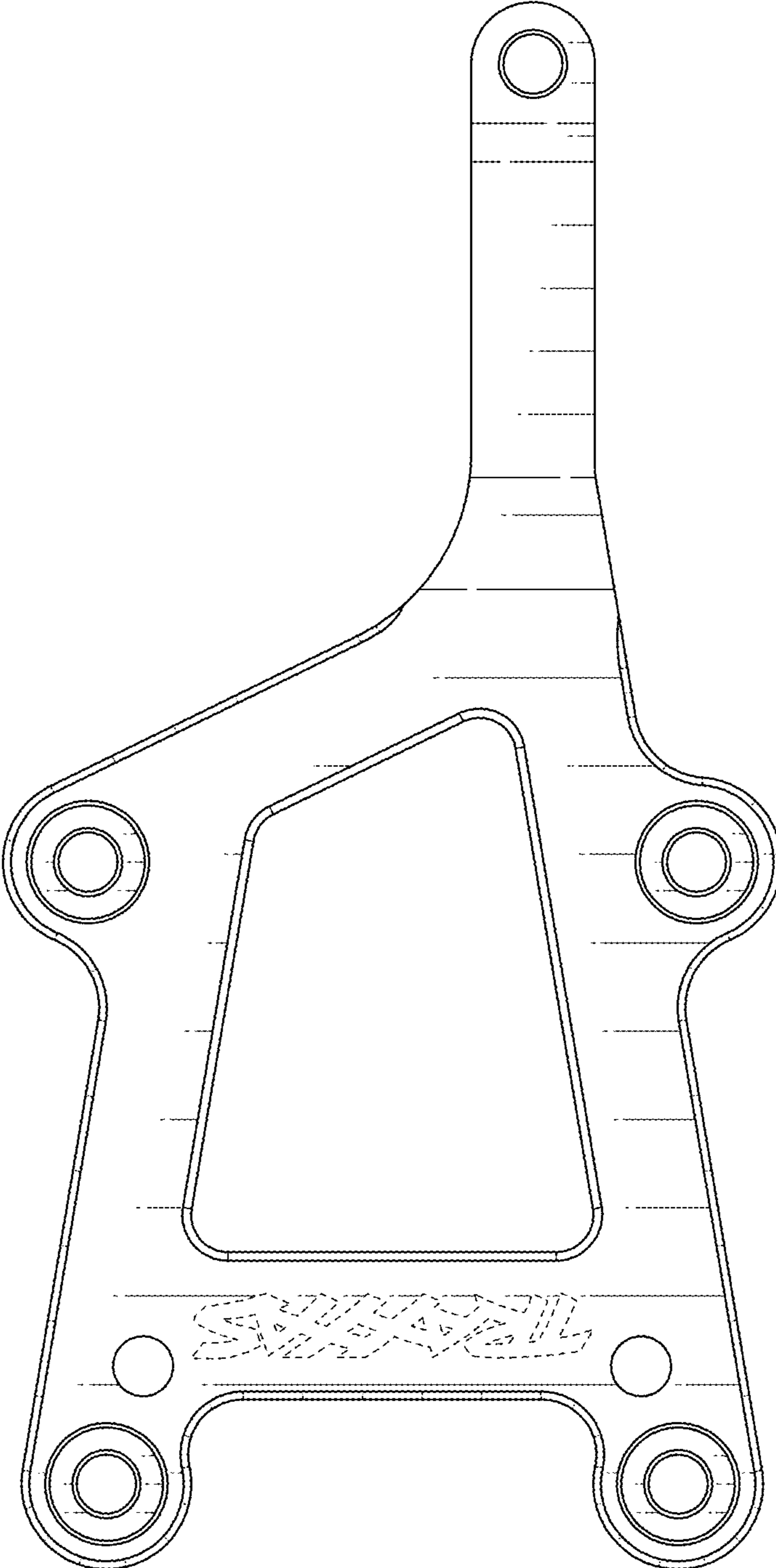


FIG. 7

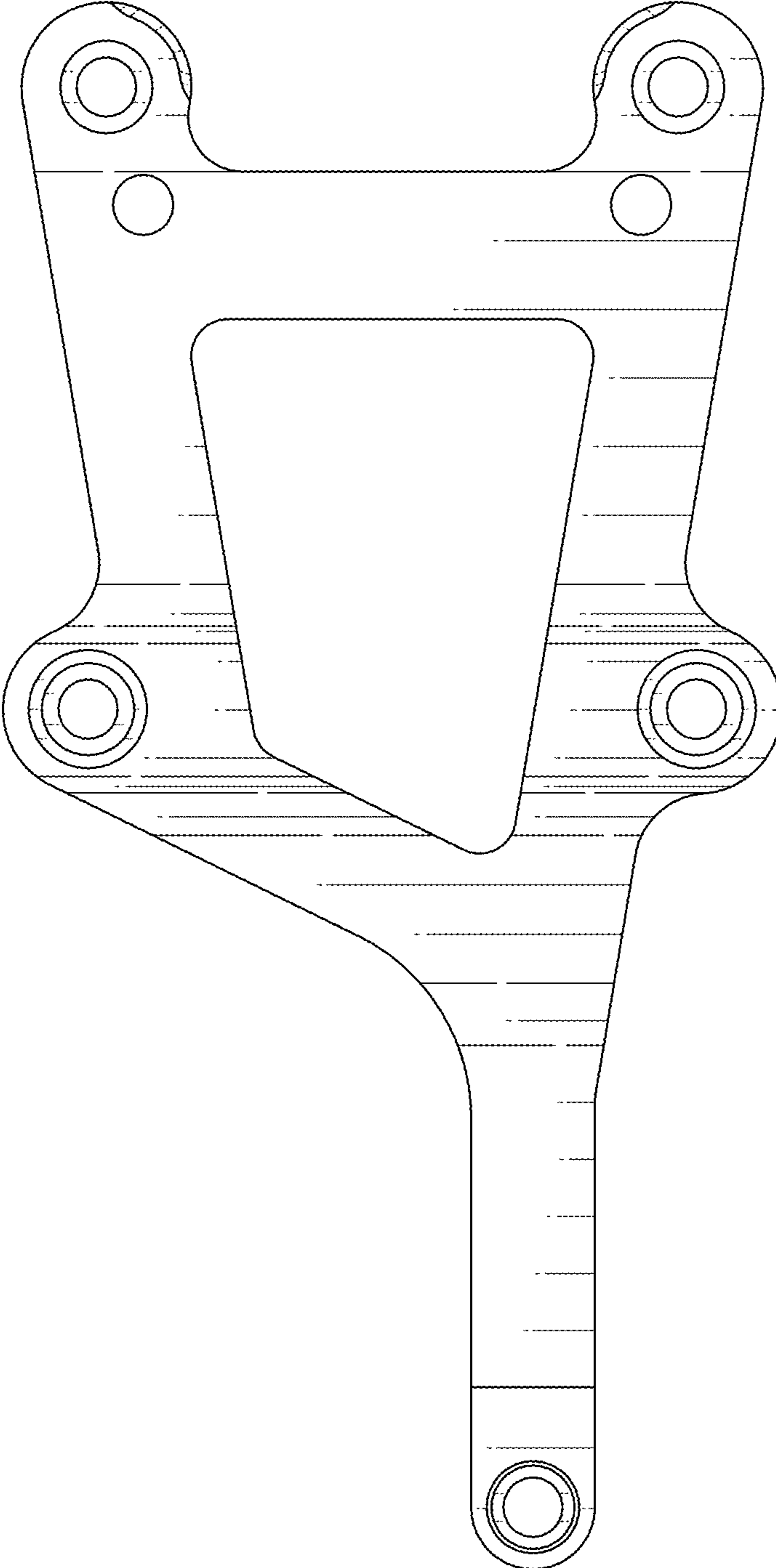


FIG. 8

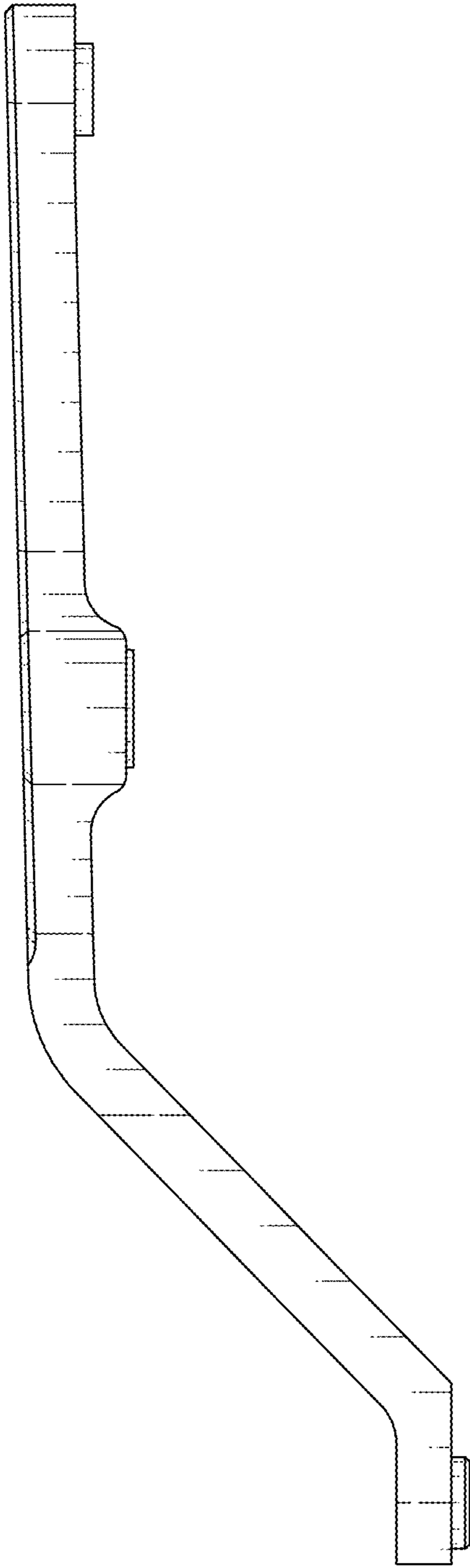


FIG. 9

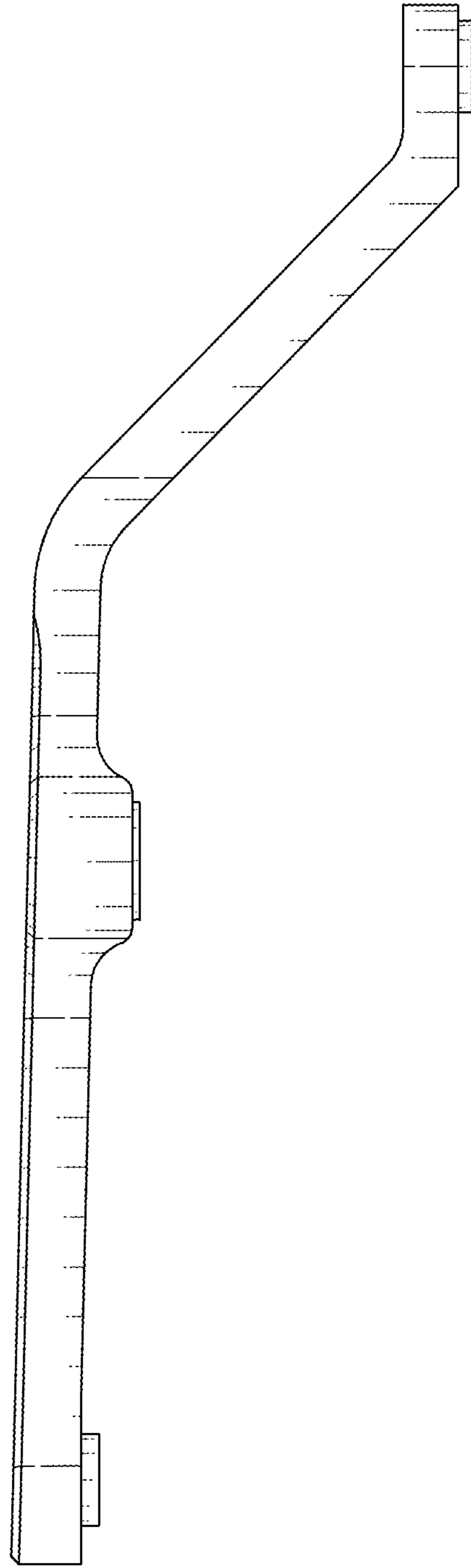


FIG. 10