



US0D1120134S

(12) **United States Design Patent**  
**House et al.**

(10) **Patent No.:** **US D1,120,134 S**  
(45) **Date of Patent:** **\*\* Mar. 24, 2026**

(54) **MODEL VEHICLE SHOCK TOWER**

FOREIGN PATENT DOCUMENTS

(71) Applicant: **TRAXXAS, L.P.**, McKinney, TX (US)

CN 304904483 11/2018  
EM 005431038-0003 \* 7/2018 ..... 21/1

(72) Inventors: **Noah House**, Sachse, TX (US); **Caleb Hix**, McKinney, TX (US); **Ross Martin**, North Richland Hills, TX (US); **Adam Cole Ewing**, McKinney, TX (US); **Otto Karl Allmendinger**, Rowlett, TX (US)

(Continued)

(73) Assignee: **TRAXXAS, L.P.**, McKinney, TX (US)

OTHER PUBLICATIONS

(\*\*) Term: **15 Years**

Traxxas Website, Traxxas Front Shock Tower, No Available Date [Website Visited Sep. 4, 2025] Available on the Internet URL <https://traxxas.com/10538-red-red-aluminum-front-shock-tower> (Year: 2025).\*

(Continued)

(21) Appl. No.: **29/958,890**

*Primary Examiner* — Michael C Stout  
*Assistant Examiner* — James T Tyree

(22) Filed: **Aug. 22, 2024**

(74) *Attorney, Agent, or Firm* — Daryl R. Wright; Greg Carr

(51) **LOC (15) Cl.** ..... **21-01**

(52) **U.S. Cl.**

USPC ..... **D21/561**; D21/533; D21/562

(58) **Field of Classification Search**

USPC ..... D21/561, 533, 562, 565, 424, 595, 495, D21/489, 491; D12/195

CPC ..... A63H 17/262; A63H 18/08

See application file for complete search history.

(57) **CLAIM**

The ornamental design for a model vehicle shock tower as shown and described.

(56) **References Cited**

U.S. PATENT DOCUMENTS

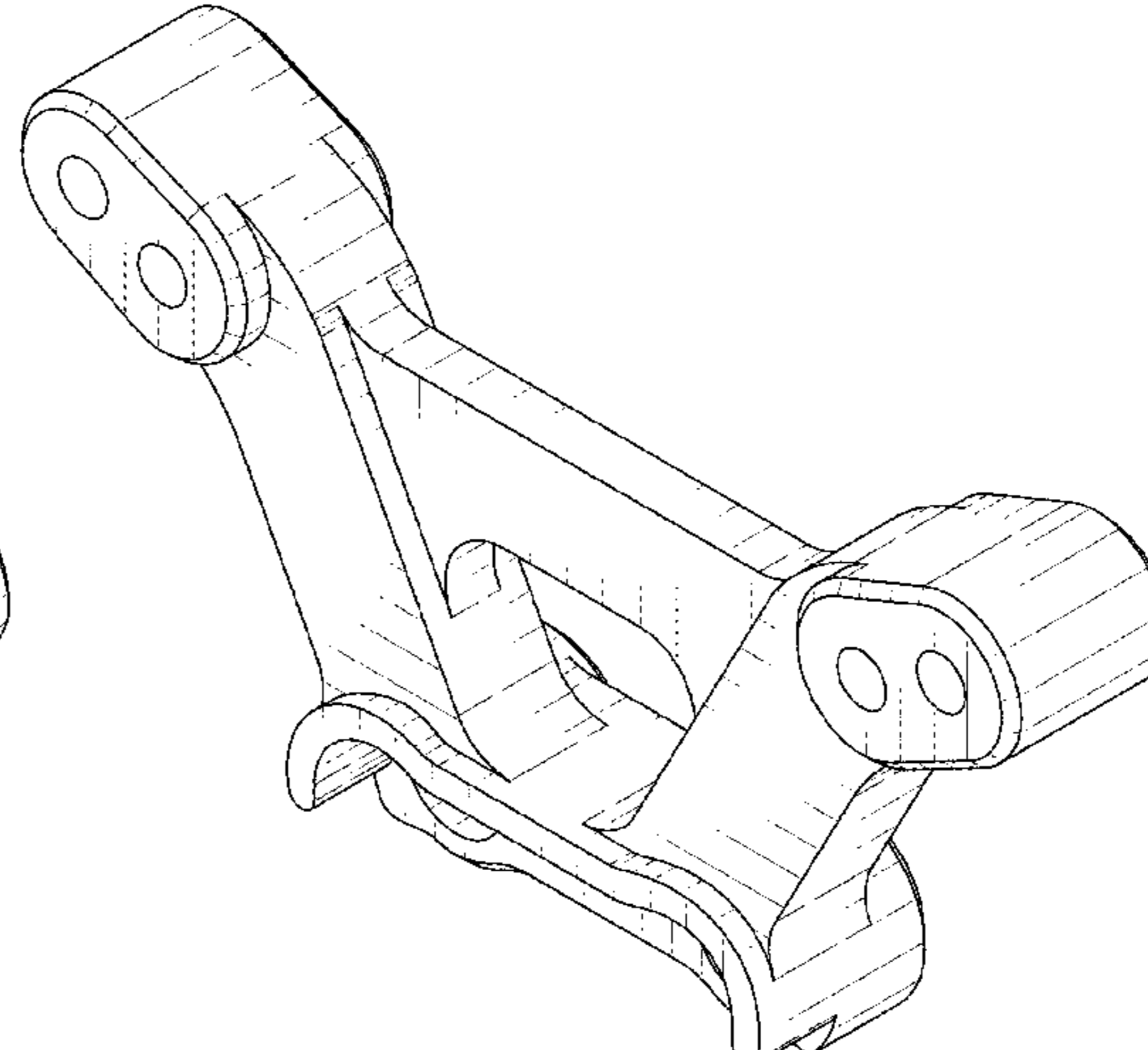
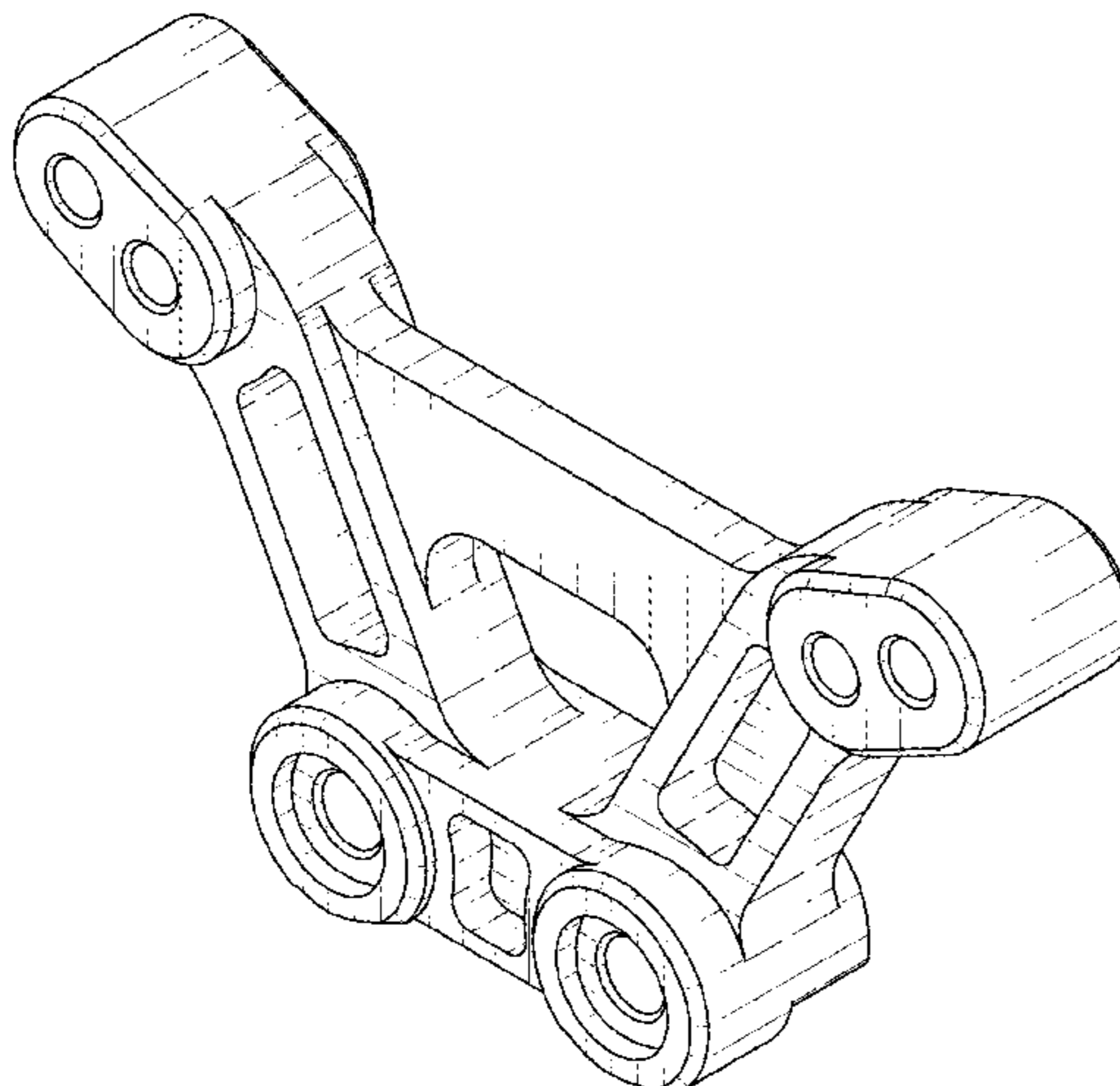
D262,959 S	2/1982	Traxxas	
D277,952 S	3/1985	Nakano et al.	
D281,772 S	12/1985	Heideman et al.	
5,536,035 A	7/1996	Bautz et al.	
6,047,988 A	4/2000	Aloe et al.	
6,142,268 A	11/2000	Kuo-An	
D475,001 S *	5/2003	Roll	D12/159
D788,653 S *	6/2017	Smith	D12/159
D828,460 S	9/2018	Wood	
D839,363 S	1/2019	Ewing et al.	
D856,432 S	8/2019	Ewing et al.	
D865,079 S *	10/2019	Ewing	A63H 17/262 D12/159
D867,475 S *	11/2019	Ewing	A63H 17/262 D12/159

(Continued)

**DESCRIPTION**

FIG. 1 is an upper, left, front perspective view of a model vehicle shock tower showing our new design; FIG. 2 is an upper, right, rear perspective view thereof; FIG. 3 is a lower, right, front perspective view thereof; FIG. 4 is a lower, left, rear perspective view thereof; FIG. 5 is a front elevation view thereof; FIG. 6 is a rear elevation view thereof; FIG. 7 is an upper plan view thereof; FIG. 8 is a lower plan view thereof; FIG. 9 is a right-side elevation view thereof; and, FIG. 10 is a left-side elevation view of the model vehicle shock tower.

**1 Claim, 7 Drawing Sheets**



(56)

References Cited

U.S. PATENT DOCUMENTS

D875,186 S \* 2/2020 Ewing ..... B60G 7/001  
D12/159  
D896,709 S 9/2020 Ewing et al.  
D905,798 S \* 12/2020 Ewing ..... D12/159  
D929,507 S \* 8/2021 Ewing ..... D12/159  
D930,088 S 9/2021 Ewing et al.  
D955,503 S 6/2022 Ewing et al.  
D996,529 S \* 8/2023 Allmendinger ..... D21/562  
D998,058 S \* 9/2023 Allmendinger ..... D21/562  
D1,023,847 S 4/2024 Ewing et al.  
D1,023,849 S 4/2024 Ewing et al.  
D1,026,743 S 5/2024 Ewing et al.  
D1,039,066 S 8/2024 Ewing et al.  
D1,040,254 S \* 8/2024 Ewing ..... D21/561  
D1,043,459 S \* 9/2024 Ewing ..... D12/159  
D1,055,976 S \* 12/2024 Martinez ..... D15/5  
D1,067,835 S 3/2025 Ewing et al.  
D1,072,085 S 4/2025 Ewing et al.  
D1,072,086 S 4/2025 Ewing et al.  
2012/0169023 A1 7/2012 Rawlinson et al.  
2017/0274932 A1 \* 9/2017 Byrnes, Jr. .... B60G 7/008

FOREIGN PATENT DOCUMENTS

EM 015093047-0007 \* 2/2025  
EM 15094181 \* 3/2025 ..... 21/1  
GB 8095551000-7000 3/2016  
GB 90054310380004 \* 7/2018 ..... 21/1  
GB 6207301 \* 6/2022  
GB 6332678 12/2023  
GB 6424860 \* 2/2025  
TW 185102-0001 8/2017  
WO D095551-008 4/2017

OTHER PUBLICATIONS

Amazon Website, LJXSZ Shock Mount Tower, No Available Date [Website Visited Sep. 4, 2025] Available on the Internet URL <https://www.amazon.com/dp/B0F6YZ35QJ?th=1> (Year: 2025).\*

Amazon Website, Traxxas Shock Tower, No Available Date [Website Visited Sep. 4, 2025] Available on the Internet URL <https://www.amazon.com/dp/B0F7M4WZDC> (Year: 2025).\*

Traxxas Website, Traxxas Shock Towers, No Available Date [Website Visited Jan. 7, 2026] Available on the Internet URL <https://traxxas.com/10538-front-and-rear-shock-towers> (Year: 2026).\*

Amazon Website, Hobbypark Shock Tower, Earliest Comment Date: Dec. 16, 2021 [Website Visited Jan. 7, 2026] Available on the Internet URL <https://www.amazon.com/dp/B07VQ5K5MH/> (Year: 2021).\*

Amazon Website, Rockible Shock Tower, No Available Date [Website Visited Jan. 7, 2026] Available on the Internet URL <https://www.amazon.com/dp/BOCWNJVBL2> (Year: 2026).\*

Ellsworth, Tony; "Suspension Design Enhancements—The Ellsworth Dare"; Dreamride Mountain Bike Tours and Film Services, Moab, Utah, 2001.

Milliken, William F. and Milliken, Douglas L.; "Race Car Vehicle Dynamics" 1995, pp. 580-583, 595-597, 628-631; SAE Publications Group, Pennsylvania USA.

Phillpotts, Peter; "Rising Rate Suspension"; Off Road Design, 2001.

Racecar Engineering, Jun. 2003—vol. 13 No. 06, pp. 15, 106; Country & Leisure Media Ltd./IPC Media Ltd., Croydon, England.

Traxxas, "T-Maxx" model vehicle; Traxxas LP, Plano, Texas; 1 photograph (admitted prior art).

Axial SCX10 II Shock Hoops AX131380; <http://www.axialracing.com/products/ax31380>; Aug. 2016.

Hobby Town; Front\_Rear\_Shock\_Tower\_set [online] found on Mar. 5, 2018 from URL <https://www.hobbytown.com/trx-front-rear-shock-tower-set-by-traxxas-tra8216/p668322>.

2Pcs RC Model Car Shock Tower Upgrade Parts for Xinlehong Q901, Q902, Q903, Earliest Available Date Oct. 22, 2019 [Online], [Site Visited Oct. 20, 2020] Available From Internet, URL: <<https://www.newegg.com/p/1SW-00TF-00H35>> (Year: 2019).

1\_28 RC Car Upgraded Metal Part Shock Tower for Wltoys P929 P939 K969 K979 K989 K999, Earliest Available Date Oct. 20, 2020 [Online], [Site Visited Oct. 20, 2020] Available From Internet, URL: <[https://www.gearbest.com/rc-car-parts/pp\\_009793593021.html](https://www.gearbest.com/rc-car-parts/pp_009793593021.html)> (Year: 2020).

Shock tower front 6061-T6 aluminum, First Date Available: Unknown, Image retrieved on: Jun. 1, 2023, <<https://traxxas.com/products/parts/9539A>>.

TeamSR XB4 shock towers, First Date Available: Unknown, Image retrieved on: Jun. 1, 2023, <<https://www.redrc.net/2012/12/team-sr-xb4-shock-towers/>>.

Traxxas XRT Shock Tower, Front (Left & Right Halves), Traxxas Webpage [online], [Site Visit Dec. 19, 2023], URL: <https://traxxas.com/products/parts/7839> (Year: 2023).

TRA 7839 Traxxas XRT Front Shock Tower, Jun. 15, 2023, Amain Hobbies Webpage [online], [Site Visit Dec. 19, 2023], URL: [https://www.amainhobbies.com/traxxas-xrt-front-shock-tower-tra7839/p1454424?gclid=EAlalQobChMInfK574acgwMVSORyCh0gVwHrEakYAiABEgLV\\_D\\_BWE](https://www.amainhobbies.com/traxxas-xrt-front-shock-tower-tra7839/p1454424?gclid=EAlalQobChMInfK574acgwMVSORyCh0gVwHrEakYAiABEgLV_D_BWE) (Year: 2023).

Traxxas XRT Rear Shock Tower Halves, May 24, 2023, Amain Hobbies Webpage [online], [Site Visit Dec. 19, 2023], URL: <https://www.amainhobbies.com/traxxas-xrt-rear-shock-tower-halves-tra7838/p1454423> (Year: 2023).

Traxxas Rr Shock Tower—XRT, Hobby Works Webpage [online], [Site Visit Dec. 19, 2023], URL: <https://www.hobbyworks.com/cproduct/31085%2Ftraxxas-rr-shock-tower-%28left%2C-right%29-%28xrt%29> (Year: 2023).

Traxxas TRX-4M Shock Mount (Front & Rear)/Battery Tray, Traxxas Webpage [online], [Site Visit Dec. 19, 2023], URL: <https://traxxas.com/products/parts/9726> (Year: 2023).

Traxxas XRT 8S Extreme 4WD Brushless RTR Race Monster Truck (Green) w/TQi 2.4GHz Radio & TSM, as shown in [www.hobbytown.com](http://www.hobbytown.com), Nov. 18, 2022, Part # TRA78086-4-GRN. (Year: 2022).

Arrma Composite Front/Rear Upper Gearbox Covers & Shock Tower, as shown in [www.amainhobbies.com](http://www.amainhobbies.com), Jun. 17, 2019. (Year: 2019).

Treal Hobby Redcat Gen9 Aluminum Front Shock Towers (Titanium) (2), as shown in [www.amainhobbies.com](http://www.amainhobbies.com), May 10, 2024, Part # TLHTGEN9-38. (Year: 2024).

TRAXXAS TRX4M Shock Mounts (front & rear)/ battery tray, Amazon Webpage [online], [Site visited Jul. 18, 2024], URL: <https://www.amazon.com/traxxas-trx4M-Shock-mounts-battery/dp/B0C4TQSG7V> (Year: 2024).

Traxxas TRX-4M Shock Mounts & Battery Tray, Amain Hobbies Webpage [online], [Site visited Jul. 18, 2024], URL: <https://www.amainhobbies.com/traxxas-trx4m-shock-mounts-battery-tray-tra9726/p1451986> (Year: 2024).

Traxxas XRT Shock Tower Front L/R Halves TRA7839, Amazon Webpage [online], [Site Visit Jul. 21, 2024], URL: <https://www.amazon.com/Traxxas-Shock-Tower-Halves-TRA7839/dp/B0C7NLV9YC> (Year: 2024).

Traxxas 7839 Shock Tower Front L/R Halves, Midsouth Hobbies Webpage [online], [Site Visit Jul. 21, 2024], URL: <https://midsouthhobbies.com/products/tra7839> (Year: 2024).

Shock Mounts (front & rear) by Traxxas.com, date unknown, found online [Mar. 1, 2025], URL: <https://traxxas.com/products/parts/9826> (Year: 2025).

\* cited by examiner

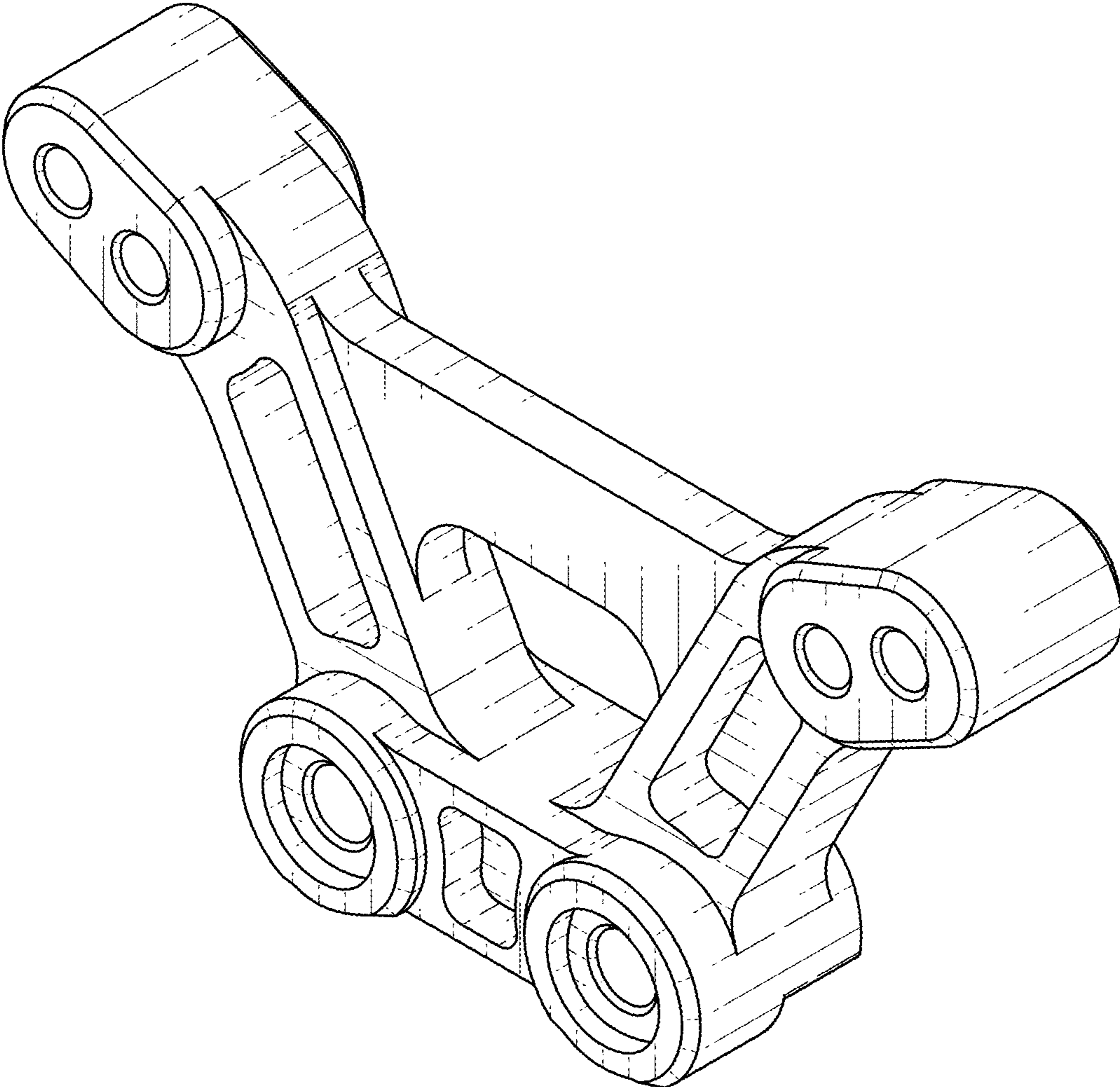


FIG. 1

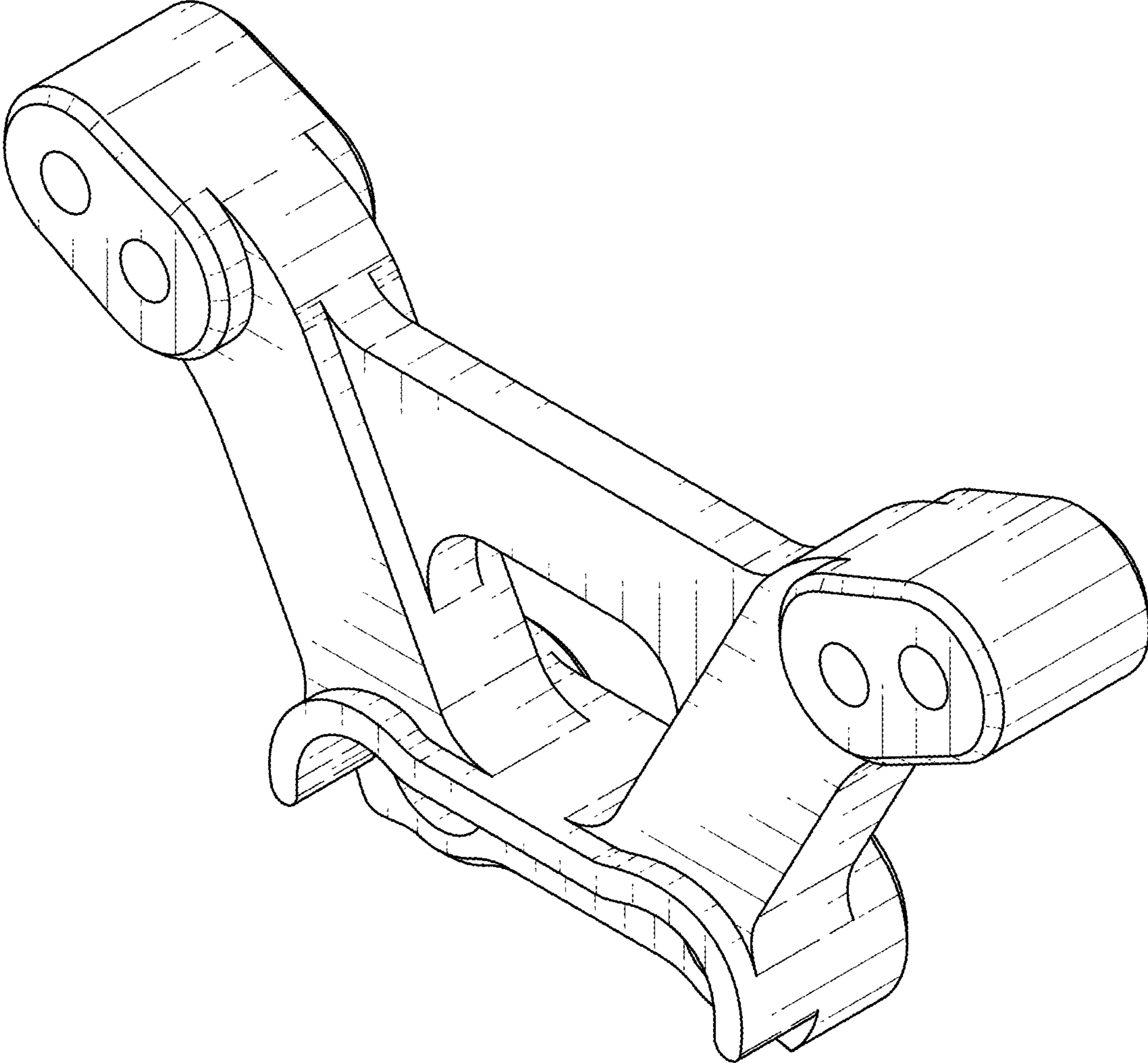


FIG. 2

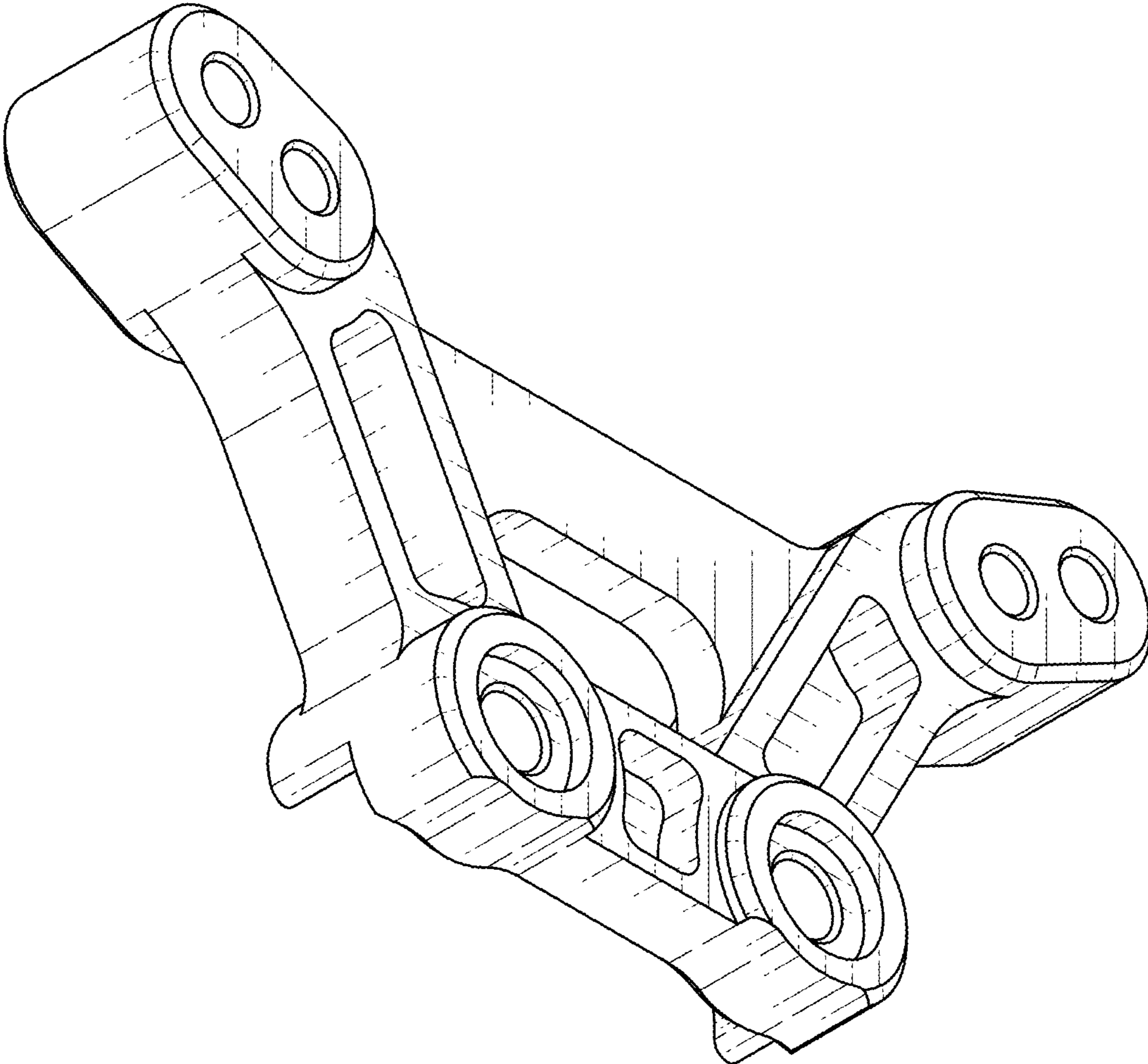


FIG. 3

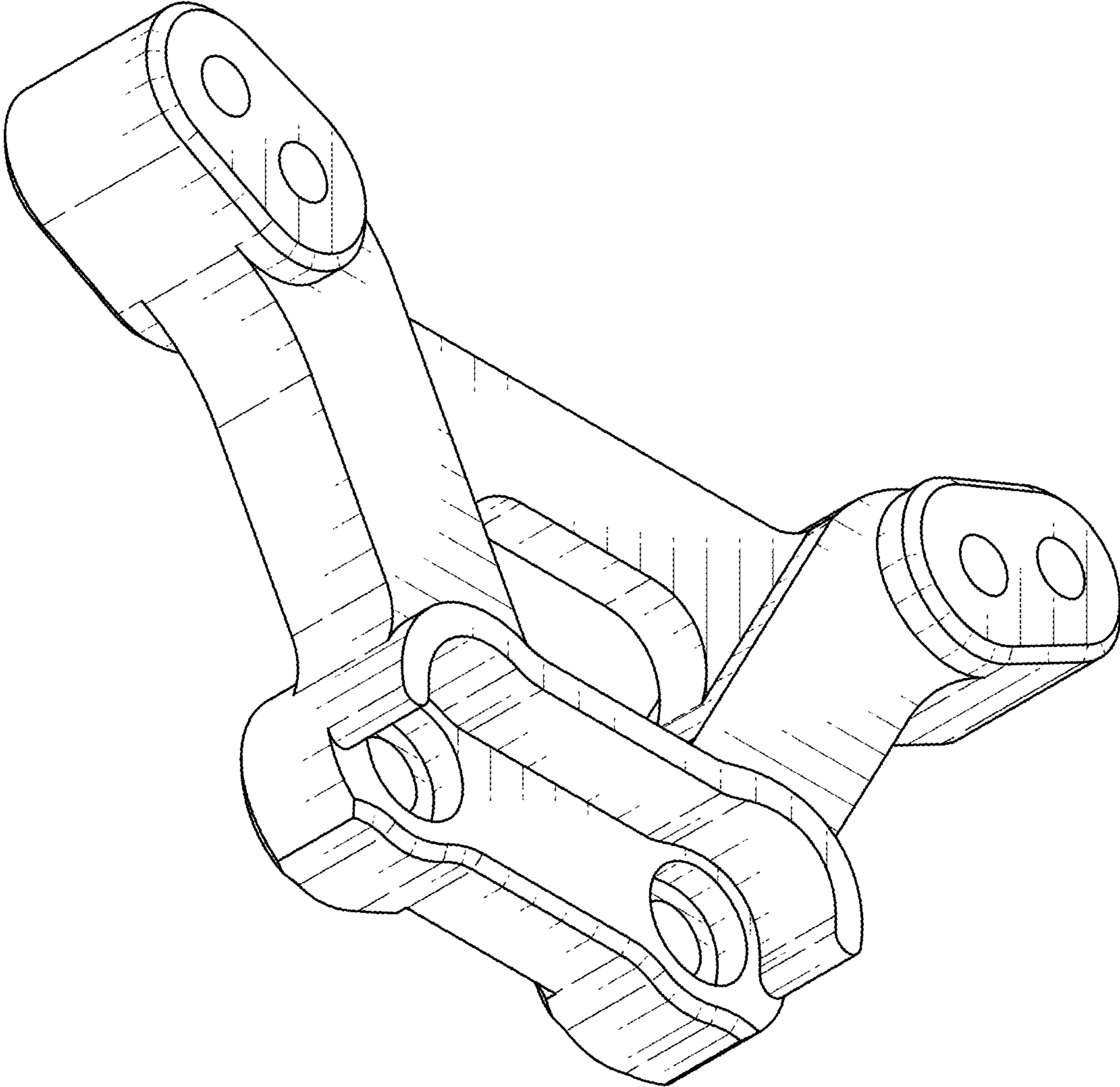


FIG. 4

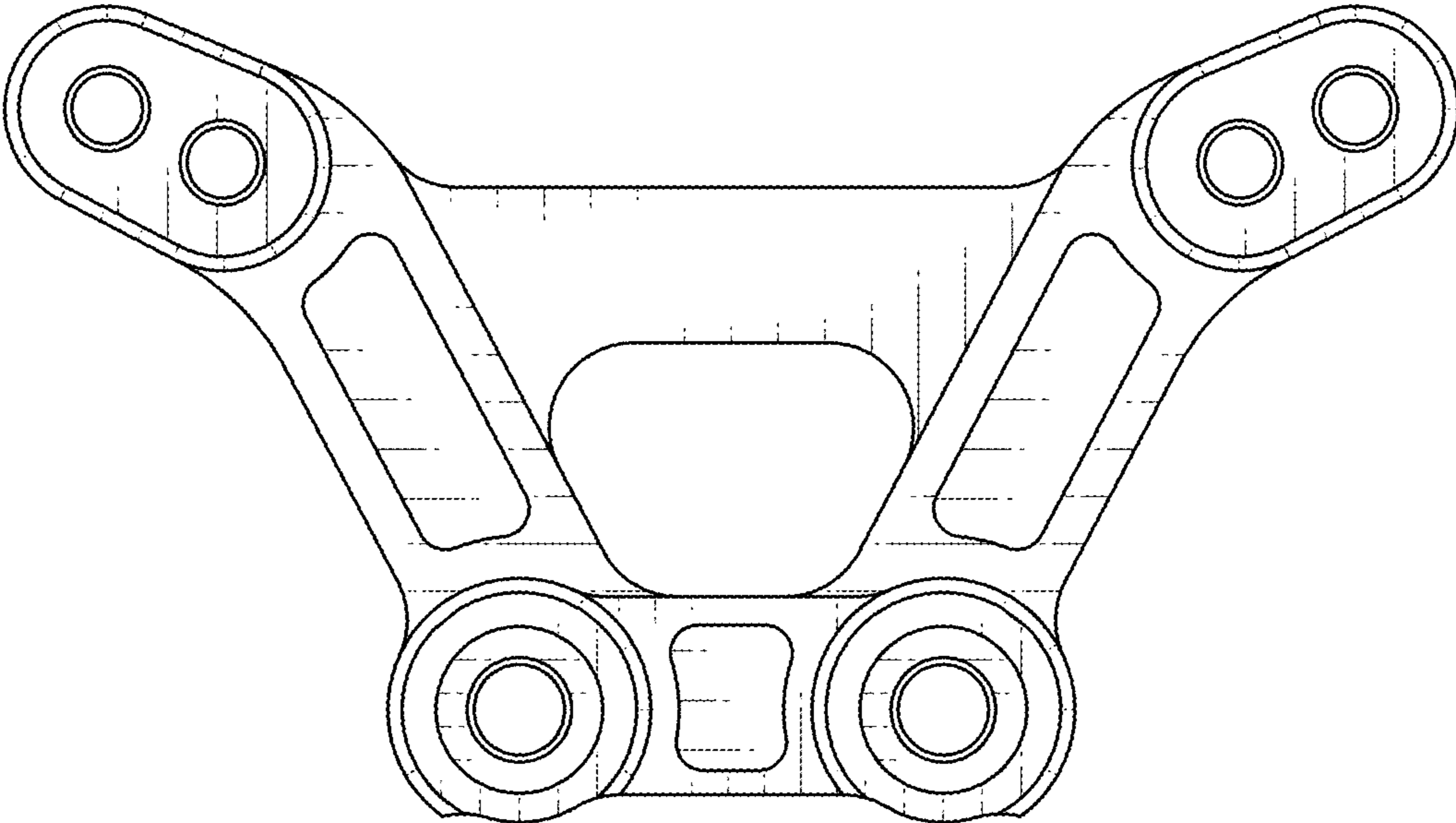


FIG. 5

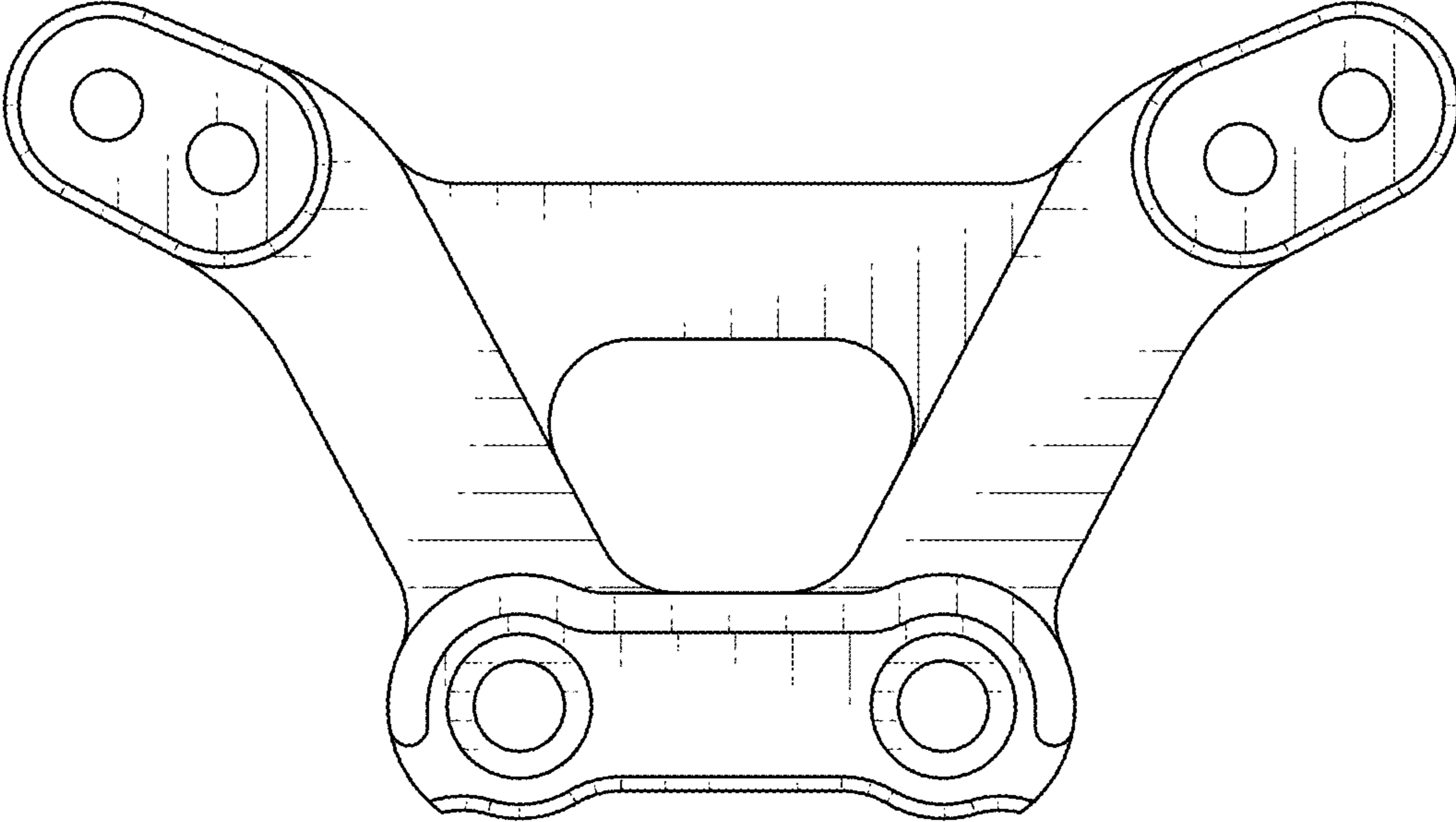


FIG. 6

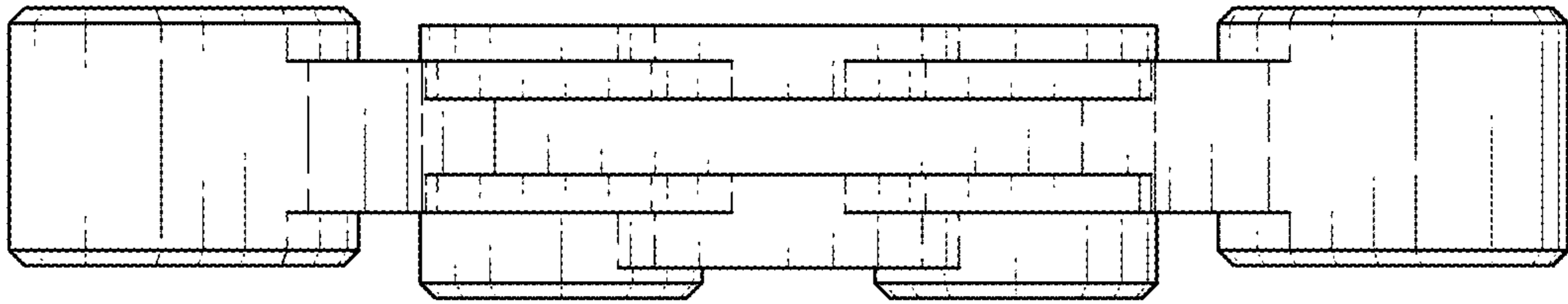


FIG. 7

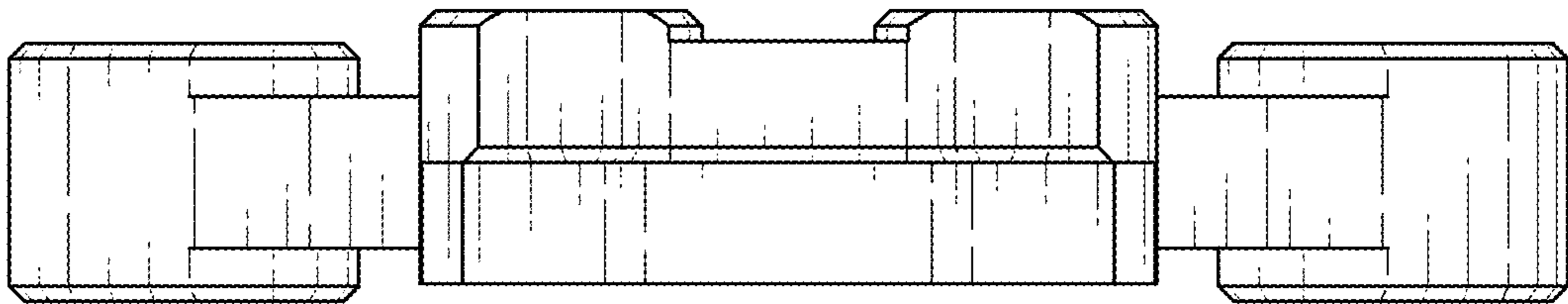


FIG. 8

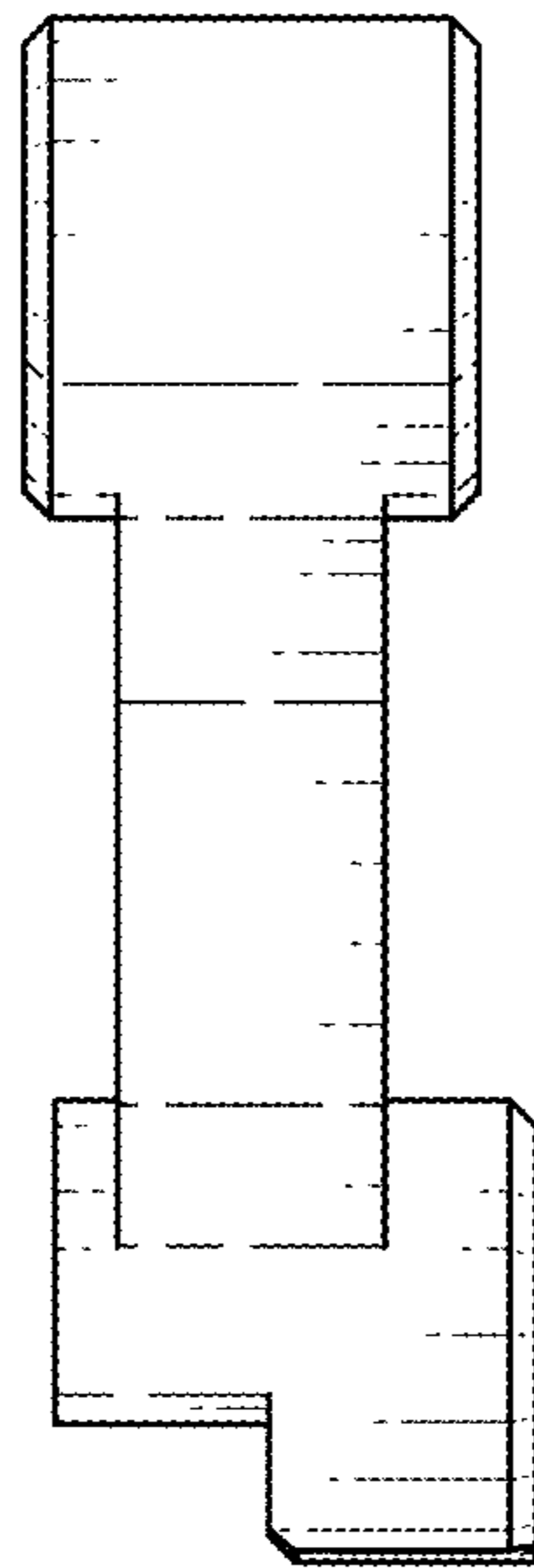


FIG. 9

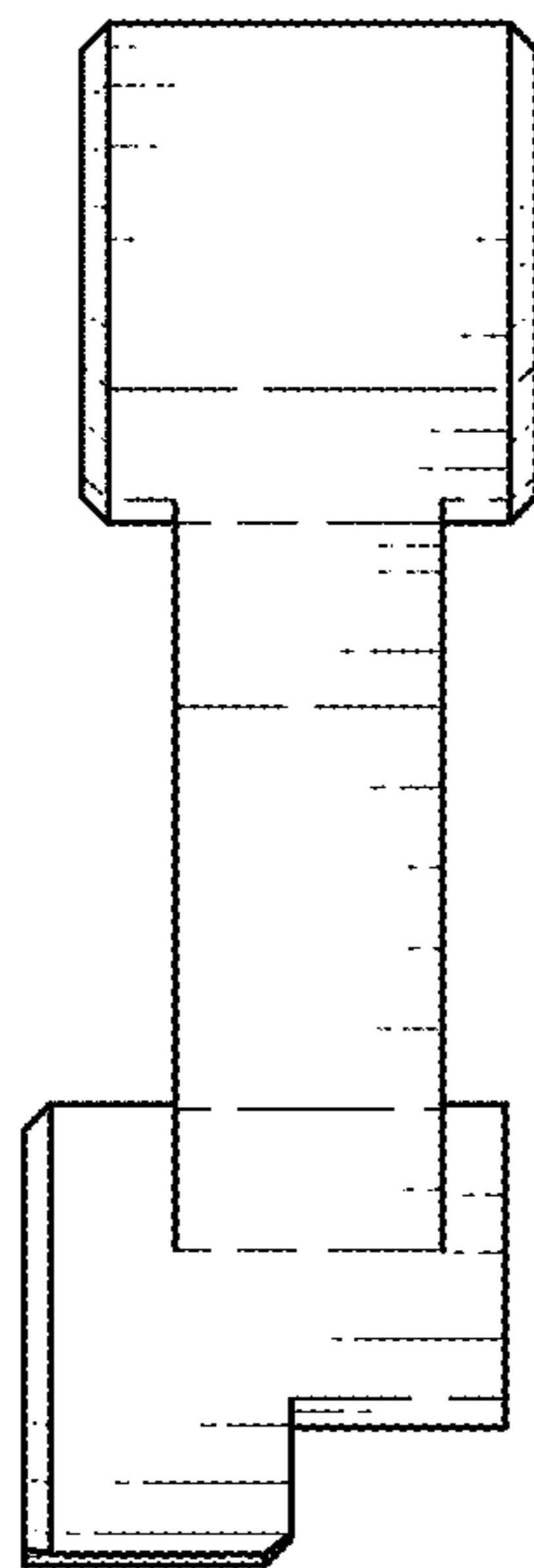


FIG. 10