



US0D1120133S

(12) **United States Design Patent**
Hix et al.

(10) **Patent No.: US D1,120,133 S**
(45) **Date of Patent: ** Mar. 24, 2026**

(54) **MODEL VEHICLE SUSPENSION ARM SET**

(71) Applicant: **TRAXXAS, L.P.**, McKinney, TX (US)

(72) Inventors: **Caleb Hix**, McKinney, TX (US); **Noah House**, Sachse, TX (US); **Ross Martin**, North Richland Hills, TX (US); **Adam Cole Ewing**, McKinney, TX (US); **Otto Karl Allmendinger**, Rowlett, TX (US)

(73) Assignee: **TRAXXAS, L.P.**, McKinney, TX (US)

(**) Term: **15 Years**

(21) Appl. No.: **29/958,873**

(22) Filed: **Aug. 22, 2024**

(51) **LOC (15) Cl.** **21-01**

(52) **U.S. Cl.**
USPC **D21/561**; D21/562; D21/533

(58) **Field of Classification Search**
USPC D21/533, 562, 561, 565, 424, 595, 495,
D21/489, 491; D12/159
CPC A63H 17/262; A63H 18/08
See application file for complete search history.

(56) **References Cited**

U.S. PATENT DOCUMENTS

1,647,438 A	11/1927	De Ram	
2,131,661 A	9/1938	Heyermans et al.	
2,148,177 A	2/1939	Sherman	
2,298,585 A	10/1942	Phelps	
D475,001 S	5/2003	Roll	
D785,513 S *	5/2017	Park	D12/159
D788,653 S	6/2017	Smith	
D827,054 S	8/2018	Ewing et al.	
D865,079 S *	10/2019	Ewing	A63H 17/262 D12/159
D867,475 S	11/2019	Ewing et al.	

(Continued)

FOREIGN PATENT DOCUMENTS

CN	303934565	11/2016
CN	303934566	11/2016

(Continued)

OTHER PUBLICATIONS

Amazon Website, RWLZLB Front Swing Arm, No Available Date [Website Visited Sep. 2, 2025] Available on the Internet URL <https://www.amazon.com/dp/B0C8BHQWJK/> (Year: 2025).*

(Continued)

Primary Examiner — Michael C Stout

Assistant Examiner — James T Tyree

(74) *Attorney, Agent, or Firm* — Daryl R. Wright; Greg Carr

(57) **CLAIM**

The ornamental design for a model vehicle suspension arm set as shown and described.

DESCRIPTION

FIG. 1 is an upper, left, front perspective view of the first left-side embodiment of a model vehicle suspension arm set showing our new design;

FIG. 2 is an upper, right, rear perspective view thereof;

FIG. 3 is a lower, right, front perspective view thereof;

FIG. 4 is a lower, left, rear perspective view thereof;

FIG. 5 is a front elevation view thereof;

FIG. 6 is a rear elevation view thereof;

FIG. 7 is an upper plan view thereof;

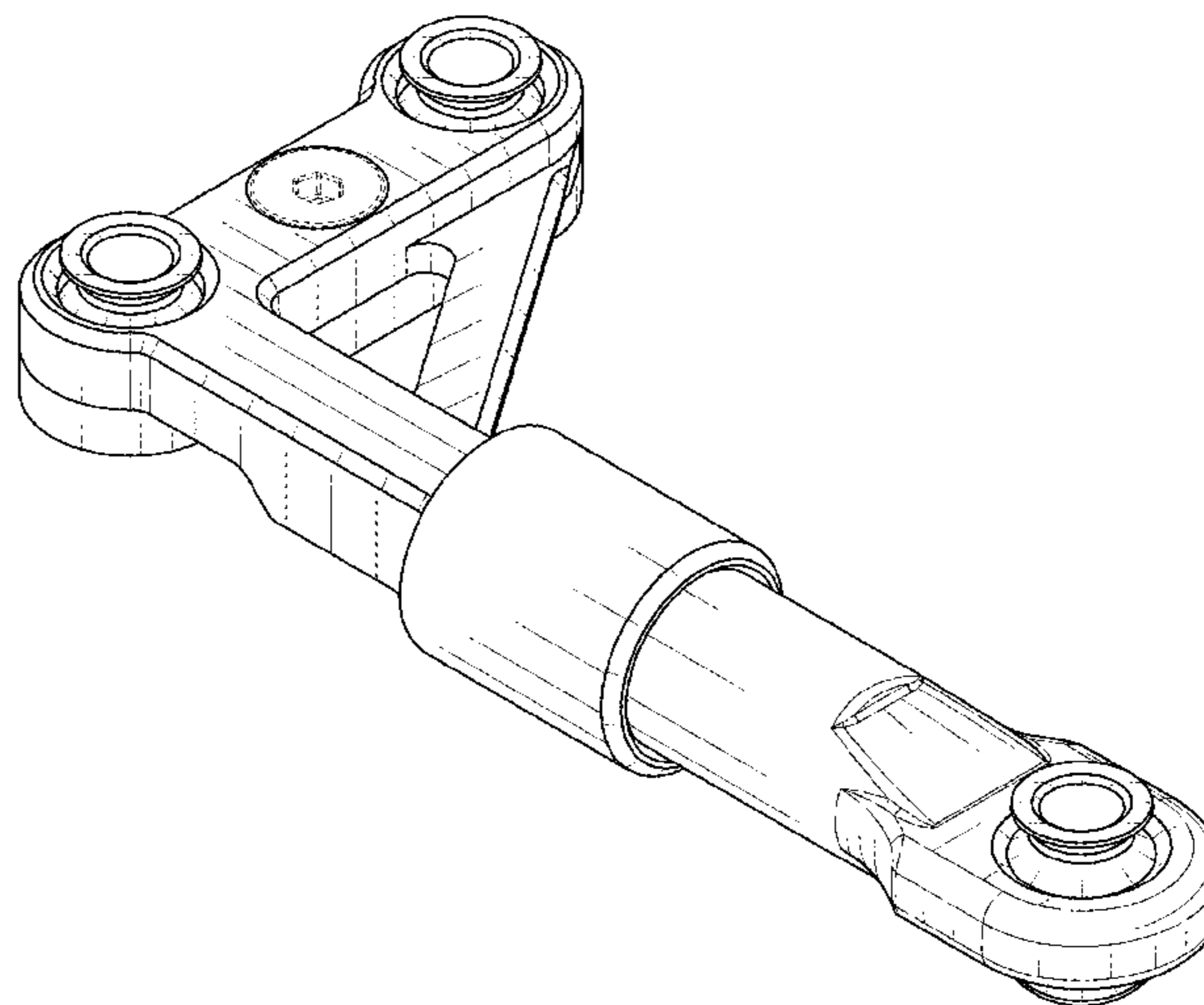
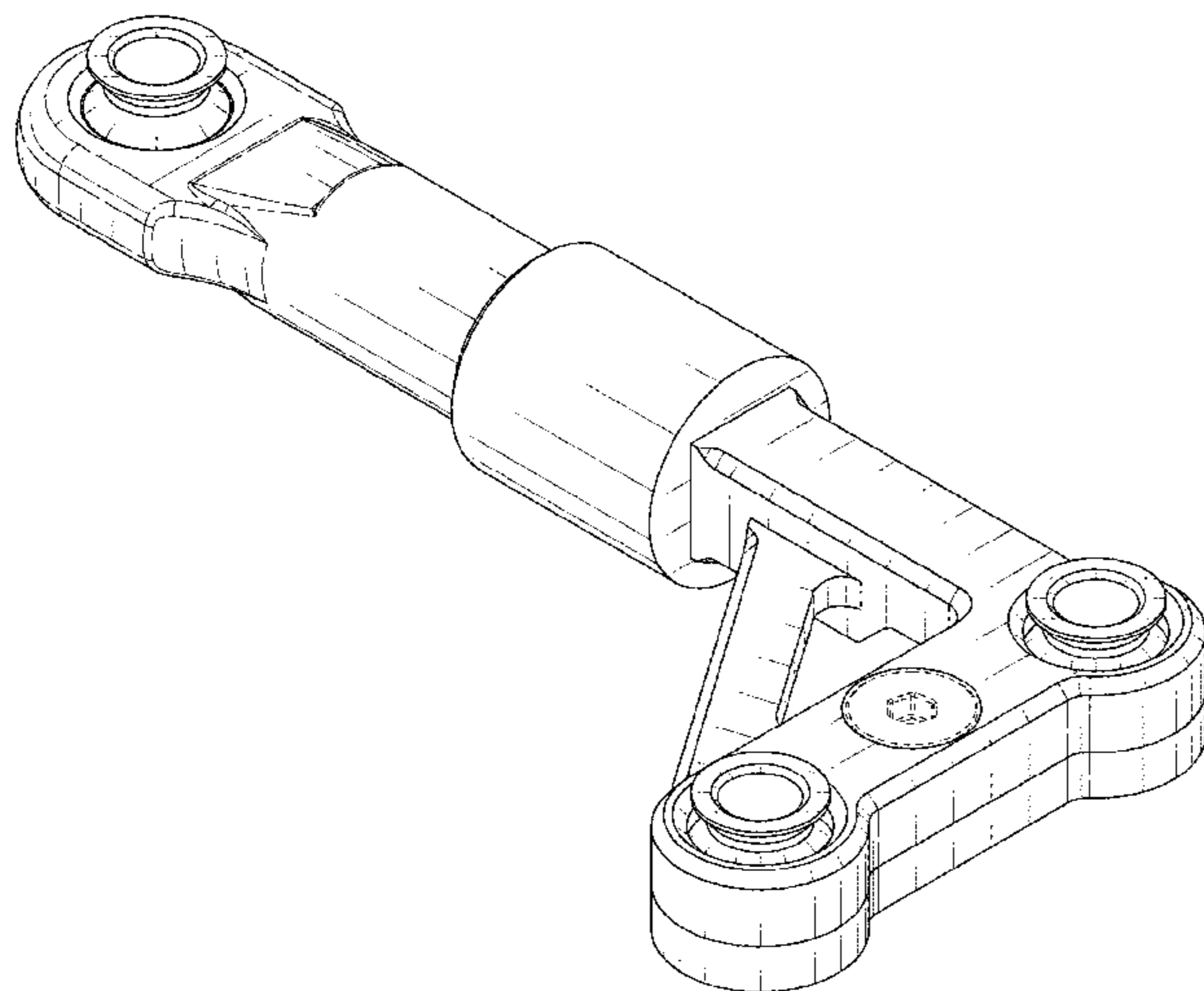
FIG. 8 is a lower plan view thereof;

FIG. 9 is a right-side elevation view thereof; and,

FIG. 10 is a left-side elevation view of the model vehicle suspension arm set.

In the drawings, the broken lines illustrate portions of the model vehicle suspension arm that form no part of the claimed design. A second right-side embodiment, which is a mirror of the first embodiment, also forms a part of the claimed design.

1 Claim, 8 Drawing Sheets



(56)

References Cited

U.S. PATENT DOCUMENTS

D875,186	S	2/2020	Ewing et al.	
D902,089	S *	11/2020	Ewing	D12/159
D902,090	S *	11/2020	Ewing	D12/159
D905,798	S *	12/2020	Ewing	D12/159
D905,799	S *	12/2020	Ewing	D12/159
D944,901	S *	3/2022	Ewing	D21/562
D947,957	S	4/2022	Ewing et al.	
D951,148	S *	5/2022	Ewing	D12/159
D951,149	S	5/2022	Ewing	
D951,150	S *	5/2022	Ewing	D12/159
D951,151	S *	5/2022	Ewing	D12/159
D1,014,655	S	2/2024	Christensen et al.	
D1,014,656	S	2/2024	Christensen et al.	
D1,072,077	S *	4/2025	Hix	D21/562
D1,074,848	S *	5/2025	Hix	D12/159
D1,074,850	S *	5/2025	Hix	D12/159

FOREIGN PATENT DOCUMENTS

CN	304279714	9/2017
CN	108293045 A	7/2018
CN	108605041 A	9/2018
CN	304904482	11/2018
CN	308478597	* 2/2024
DE	3622552 A1	1/1988
EM	015093047-0003	* 2/2025
EM	015094929-0016	3/2025
GB	6007828	* 2/2017
GB	9005431038-0004	7/2018
WO	2010066226 A1	6/2010
WO	D095551-009	4/2017
WO	2021046302 A1	3/2021

OTHER PUBLICATIONS

Traxxas Website, Traxxas Front Suspension Arm, No Available Date [Website Visited Sep. 2, 2025] Available on the Internet URL <https://traxxas.com/10533-upper-front-suspension-arm> (Year: 2025).*

Amazon Website, Hyper Go Suspension Arms, Earliest Available Date: Jun. 25, 2024 [Website Visited Sep. 2, 2025] Available on the Internet URL <https://www.amazon.com/dp/B0C2Q1ZWZR> (Year: 2024).*

Traxxas 5331 Right Front Upper & Lower Arms, posted at Amazon, review posted Dec. 30, 2014. Site visited Apr. 12, 2019. URL <https://www.amazon.com/Traxxas-Right-Front-Upper-Suspension/dp/B000BOPT0G> (Year: 2014).

Traxxas 7729 X-Maxx Upper Suspension Arms (pair), Earliest available date Jan. 5, 2016 [Online], [Site Visited Oct. 23, 2020] Available From Internet, URL: <https://www.amazon.com/Traxxas-7729-X-Maxx-Upper-Suspension/dp/B01A6Z068O> (Year: 2016).

Traxxas X-Maxx 8s F/R Left Lower Suspension Arm (1), Tin-Eye date May 26, 2017 [Online], [Site Visited Oct. 23, 2020] Available From Internet, URL: <https://www.modelsport.co.uk/traxxas-x-maxx-8s-f-r-left-lower-suspension-arm-1/-rc-car-products/396018> (Year: 2017).

Traxxas 7831G Suspension arm lower left F orR Green X-Maxx series, Earliest available date Oct. 15, 2020 [Online], [Site Visited

Oct. 23, 2020] Available From Internet, URL: <https://www.ebay.com/itm/Traxxas-7831G-Suspension-arm-lower-left-F-orR-Green-X-Maxx-series-Heavy-Duty-New/402480149730?epid=20038117293&hash=item5db5afb4e2:g:lt4AAOSw9she7BMU> (Year: 2020).

Stephen Mitchell, "Awesome Part Replacement," Mar. 25, 2018 (review with photo), amazon.com, site visited Dec. 14, 2021, URL: <https://www.amazon.com/dp/B01DUCYDZC/> (Year: 2018).

"Traxxas Heavy Duty Suspension Arms (Blue)," Feb. 15, 2019, amainhobbies.com, site visited Dec. 14, 2021, URL: <https://www.ainhobbies.com/traxxas-heavy-duty-suspension-arms-blue-tra3655p/p-qezltakq7z2xactz> (Year: 2019).

"Traxxas Suspension arms, red," Jun. 23, 2019, amazon.com, site visited Dec. 14, 2021, URL: https://www.amazon.ca/Traxxas-Suspension-Front-Weather-Material/dp/B07MXP4DTP/ref=sr_1_5?keywords=traxxas+suspension+arms&qid=1639510283&sr=8-5 (Year: 2019).

"Xray XB2 Right Rear Composite Suspension Arm (Hard)," Jan. 12, 2016, amainhobbies.com, site visited Dec. 14, 2021, URL: <https://www.ainhobbies.com/xray-xb2-right-rear-composite-suspension-arm-hard-xra323110-h/p-qeaztzuq7b2xactz> (Year: 2016).

"Traxxas X-Maxx Right Lower Suspension Arm," Jan. 15, 2016, amainhobbies.com, site visited Dec. 14, 2021, URL: <https://www.ainhobbies.com/traxxas-xmaxx-right-lower-suspension-arm-tra7730/p-qeazt2qa7czactz> (Year: 2016).

"Traxxas 7730 X-Maxx Lower Suspension Arm," Mar. 24, 2016, amazon.com, site visited Dec. 14, 2021, URL: https://www.amazon.ca/Traxxas-7730-X-Maxx-Lower-Suspension/dp/B01A6YD1UU/ref=sr_1_10?keywords=traxxas+suspension+arms&qid=1639510580&sr=8-10 (Year: 2016).

"Traxxas 7729 X-Maxx Upper Suspension Arms (pair)," Jan. 5, 2016, amazon.com, site visited Dec. 14, 2021, URL: <https://www.amazon.com/Traxxas-7729-X-Maxx-Upper-Suspension/dp/B01A6Z0680/> (Year: 2016).

"Team Integy C26836SILVER Upper Suspension Arm X-Ma," Apr. 19, 2017, amainhobbies.com, site visited Dec. 14, 2021, URL: <https://www.ainhobbies.com/team-integy-c26836silver-upper-suspension-arm-xma-intc26836silver/p-quaxtarqpc2xactz> (Year: 2017).

Front Upper and Lower Suspension Arms, Traxxas Website, No Available Date [Website Visited Sep. 19, 2025] Available on the Internet, URL <https://traxxas.com/10731-front-upper-and-lower-suspension-arms> (Year: 2025).

ShareGoo Metal Suspension Arms, Amazon Website, No Available Date [Website Visited Sep. 19, 2025] Available on the Internet, URL <https://www.amazon.com/dp/B0BD2G42Q9/> (Year: 2024).

Communication pursuant to Article 94(3) EPC, Received in European Patent Application No. 21714567.1, mailed on Nov. 6, 2025, 07 pages.

Office Action Received for Chinese Application No. 202180029603.2, mailed on Aug. 29, 2024, 17 pages. (English translation Provided).

Rejection Decision Received for Chinese Application No. 202180029603.2, mailed on May 20, 2025, 14 pages. (English Translation Provided).

Second Office Action Received for Chinese Application No. 202180029603.2, mailed on Feb. 24, 2025, 16 pages. (English Translation Provided).

* cited by examiner

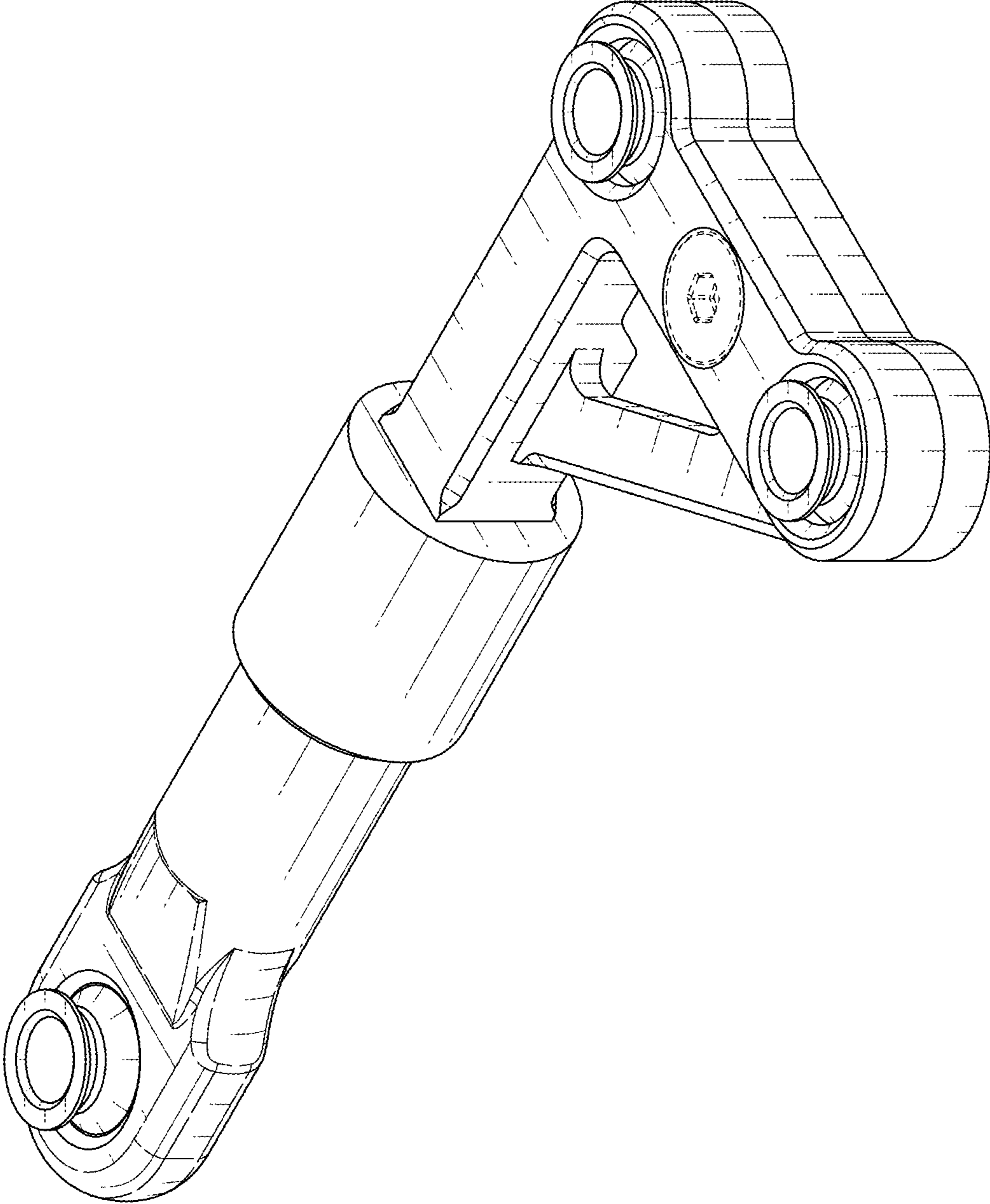


FIG. 1

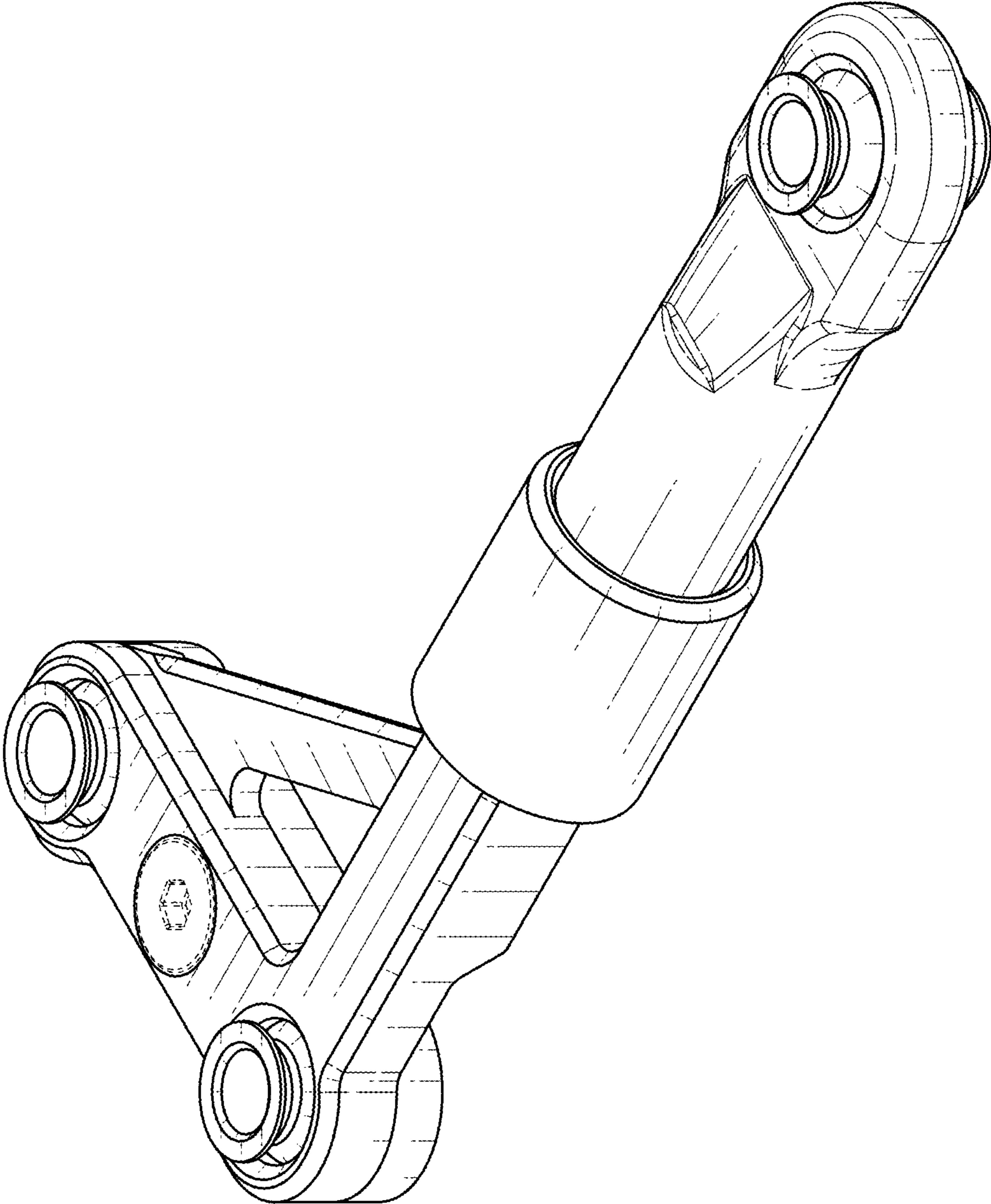


FIG. 2

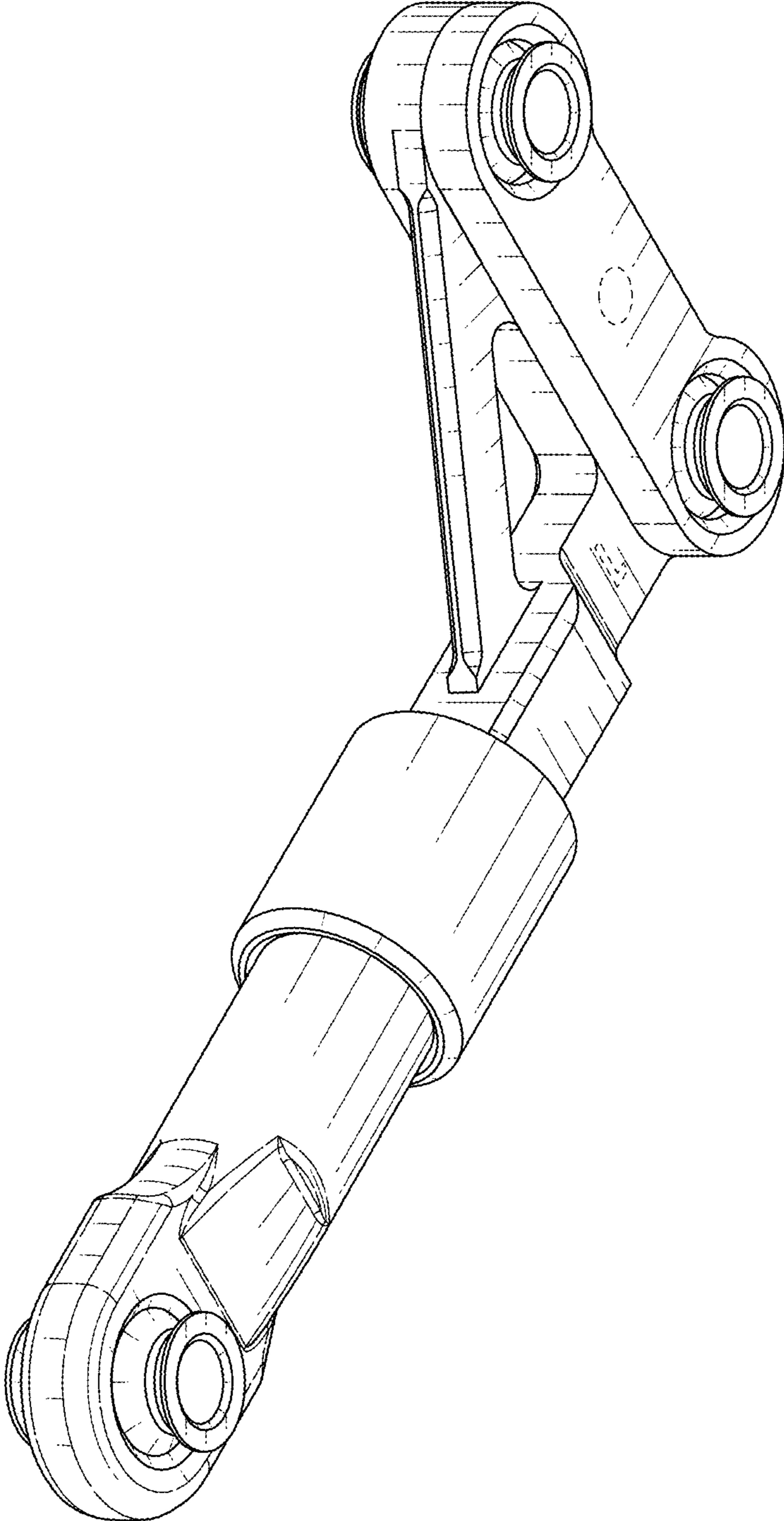


FIG. 3

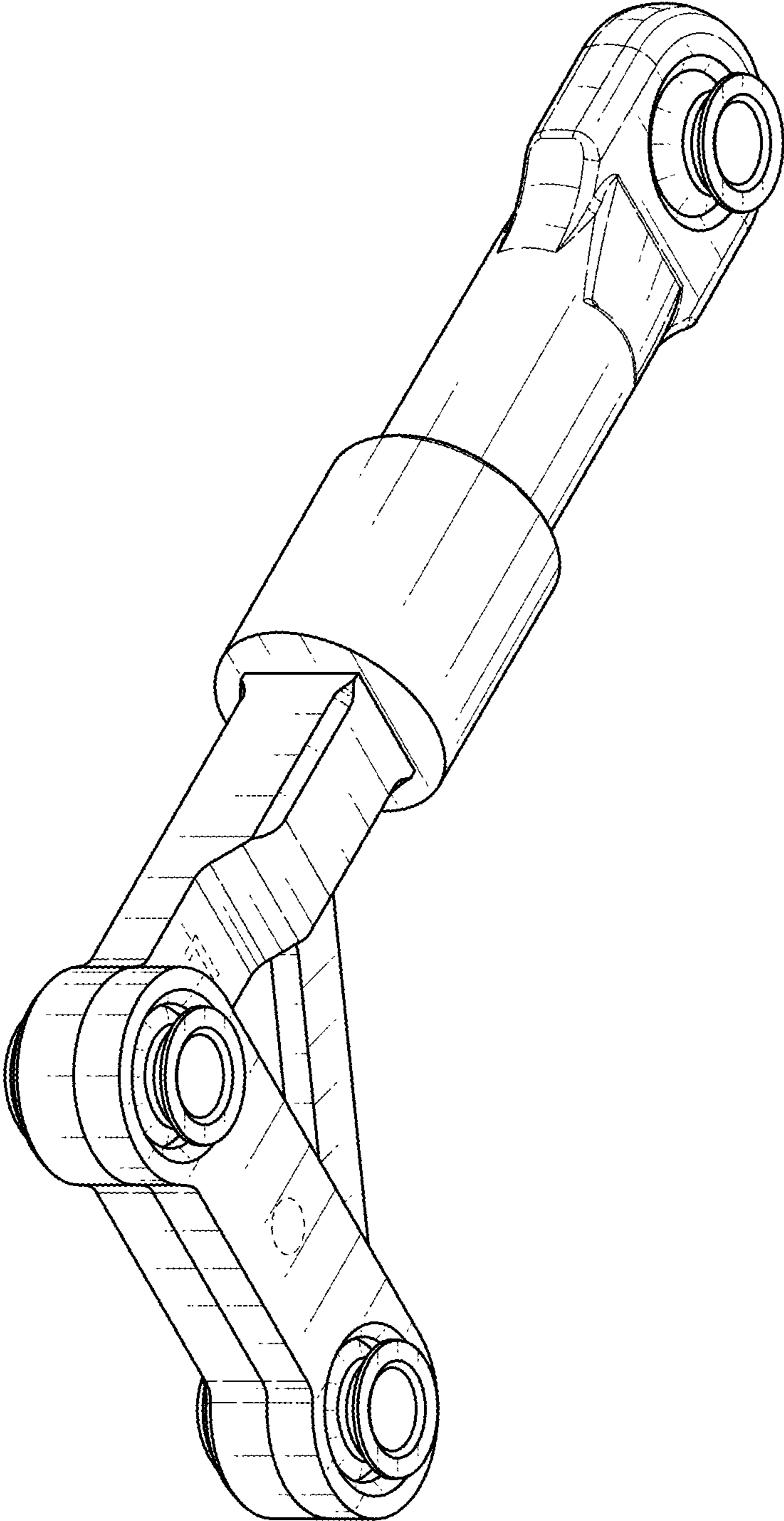


FIG. 4

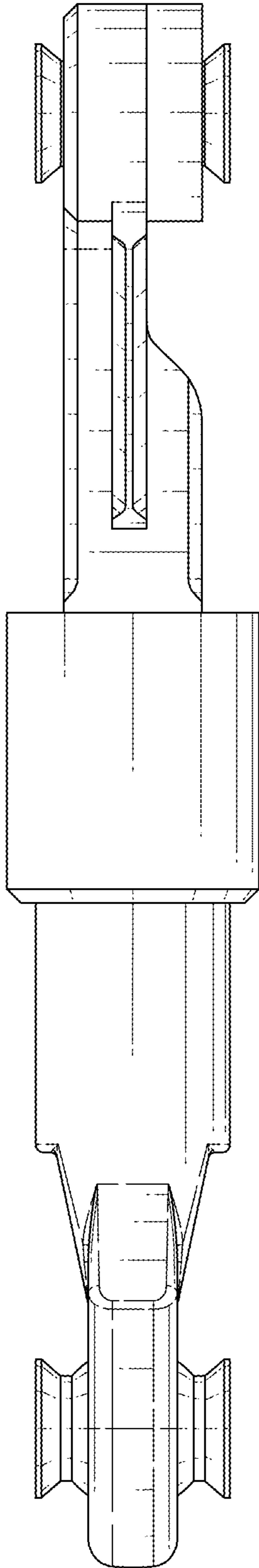


FIG. 5

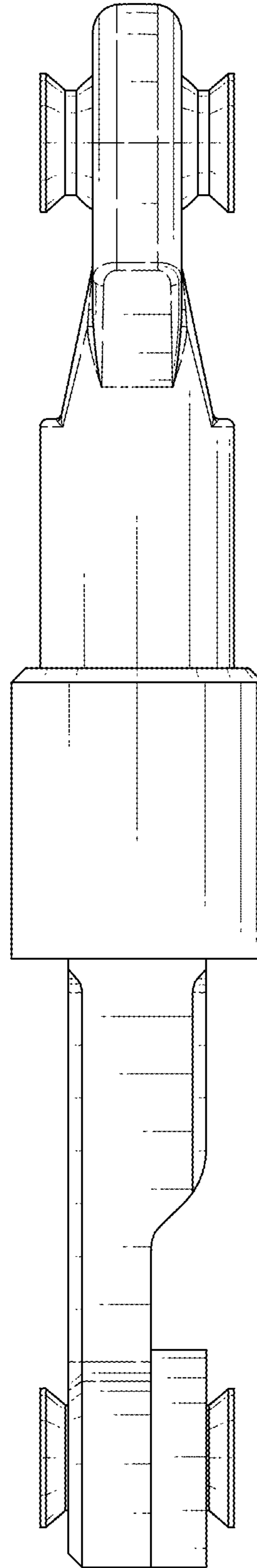


FIG. 6

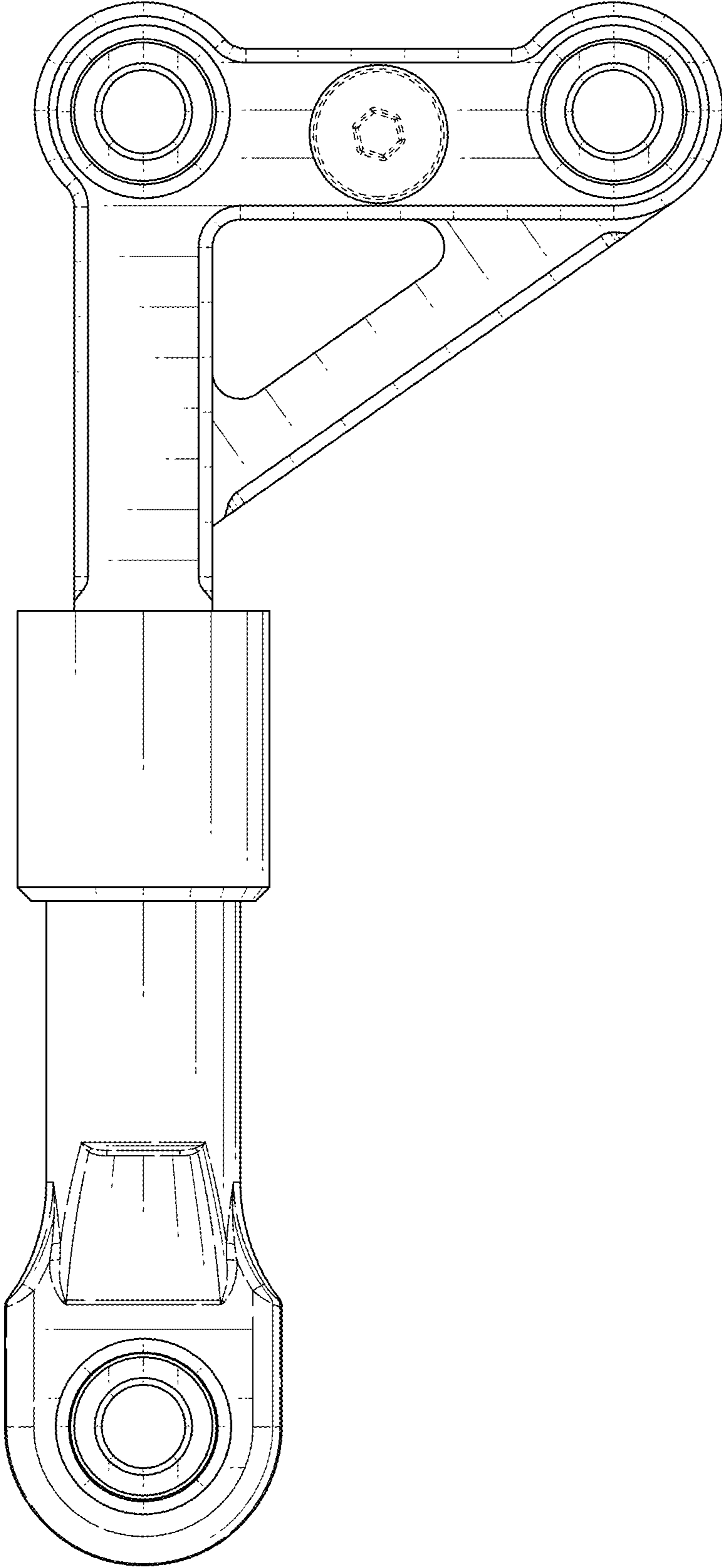


FIG. 7

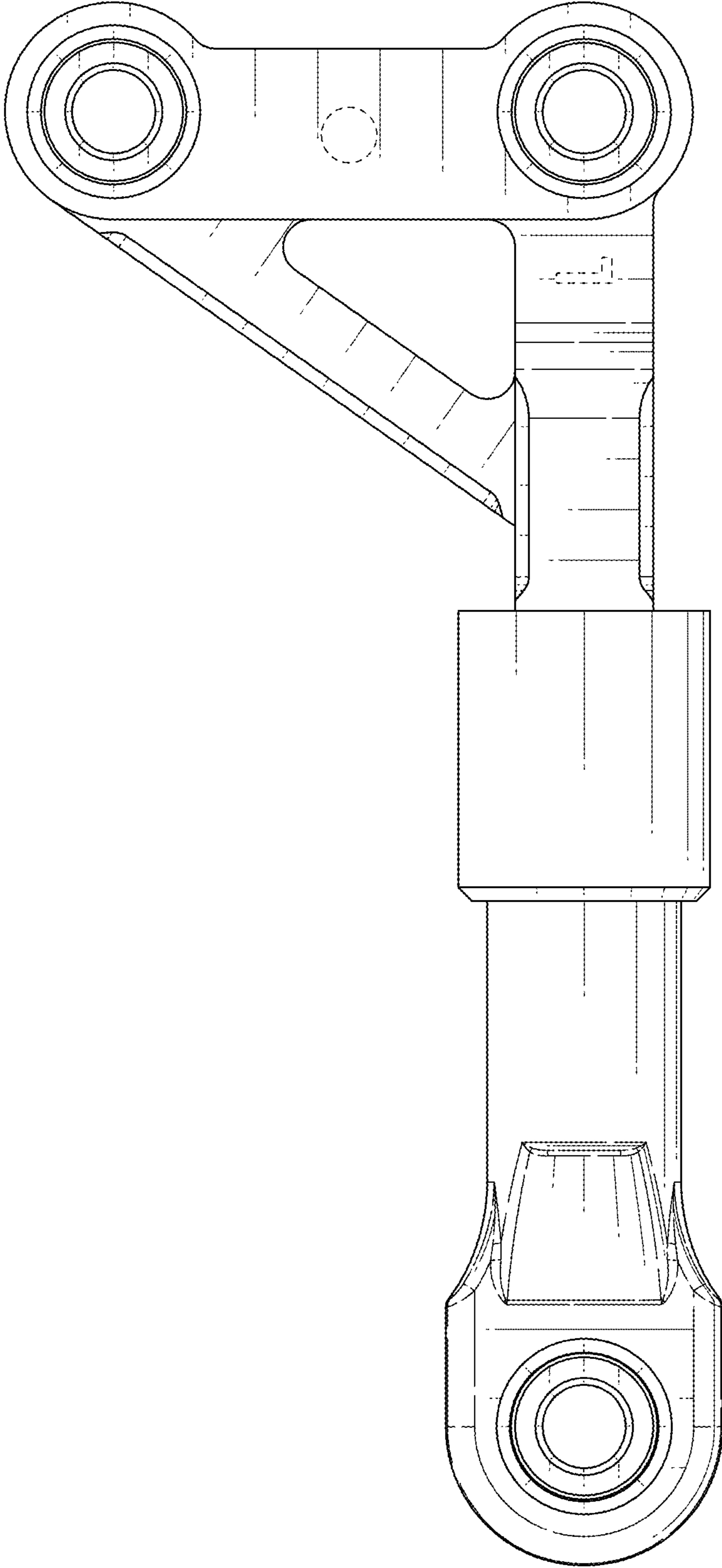


FIG. 8

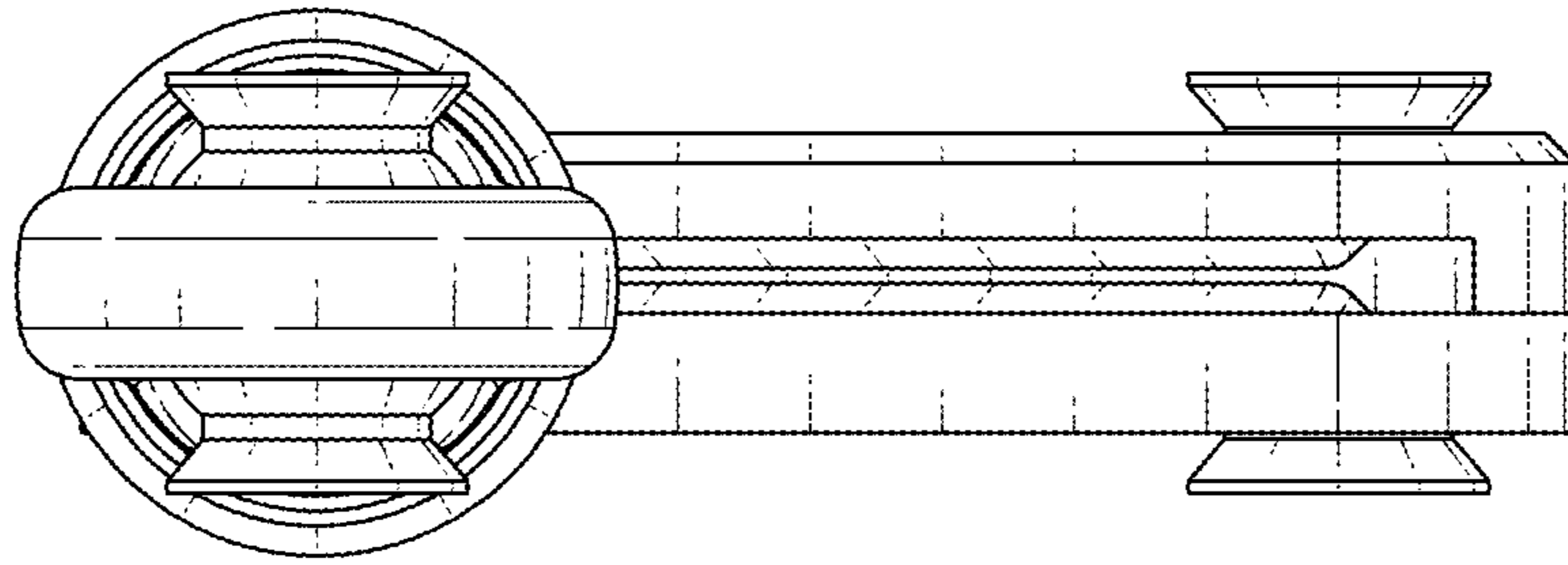


FIG. 9

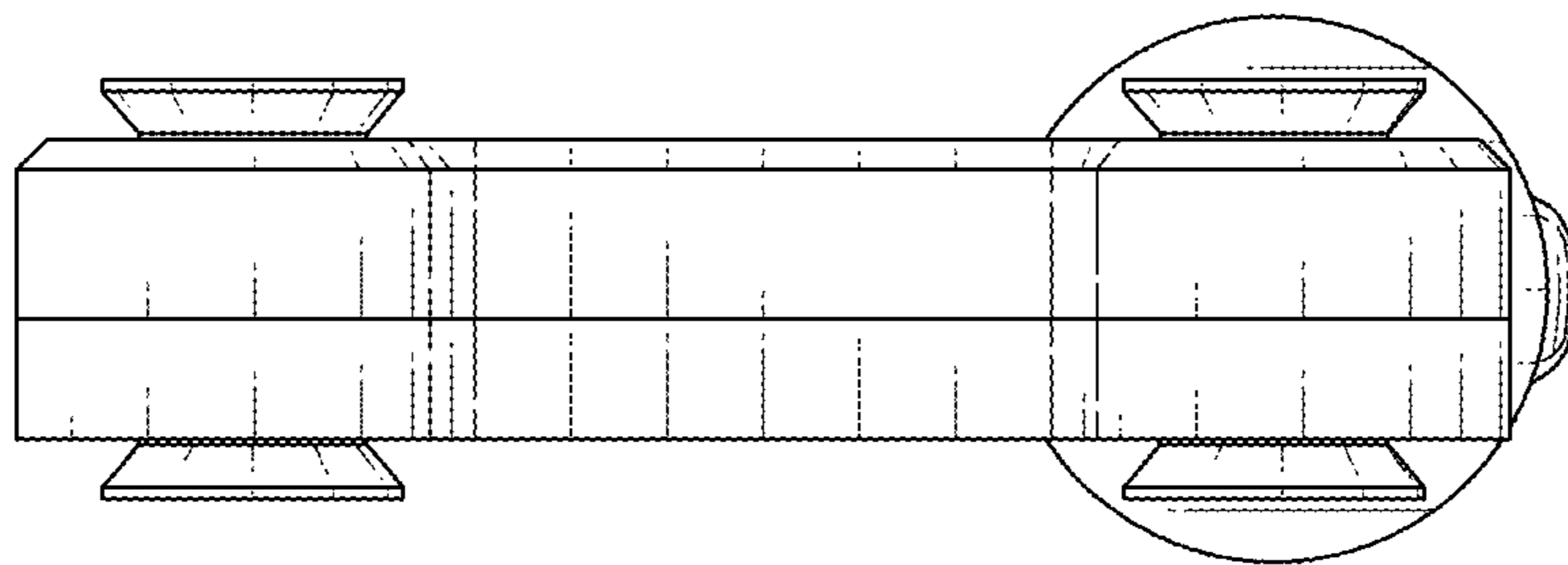


FIG. 10