



US0D1120132S

(12) **United States Design Patent**
House et al.

(10) **Patent No.: US D1,120,132 S**
(45) **Date of Patent: ** Mar. 24, 2026**

(54) **MODEL VEHICLE STEERING BLOCK SET**

FOREIGN PATENT DOCUMENTS

(71) Applicant: **TRAXXAS, L.P.**, McKinney, TX (US)

CN 303934573 * 11/2016
GB 6307609 9/2023

(72) Inventors: **Noah House**, Sachse, TX (US); **Caleb Hix**, McKinney, TX (US); **Ross Martin**, North Richland Hills, TX (US); **Adam Cole Ewing**, McKinney, TX (US); **Otto Karl Allmendinger**, Rowlett, TX (US)

(Continued)

(73) Assignee: **TRAXXAS, L.P.**, McKinney, TX (US)

OTHER PUBLICATIONS

(**) Term: **15 Years**

(21) Appl. No.: **29/958,869**

Traxxas Website, Traxxas Steering Blocks, No Available Date [Website Visited Sep. 4, 2025] Available on the Internet URL <https://traxxas.com/10537-blue-blue-aluminum-steering-blocks-lr> (Year: 2025).*

(Continued)

(22) Filed: **Aug. 22, 2024**

Primary Examiner — Michael C Stout

Assistant Examiner — James T Tyree

(51) **LOC (15) Cl.** **21-01**

(74) *Attorney, Agent, or Firm* — Daryl R. Wright; Greg Carr

(52) **U.S. Cl.**

USPC **D21/561**; D21/562; D21/533

(58) **Field of Classification Search**

USPC D21/561, 533, 562, 565, 424, 595, 495, D21/489, 491; D12/195

CPC A63H 17/262; A63H 18/08

See application file for complete search history.

(57) **CLAIM**

The ornamental design for a model vehicle steering block set as shown and described.

DESCRIPTION

(56) **References Cited**

U.S. PATENT DOCUMENTS

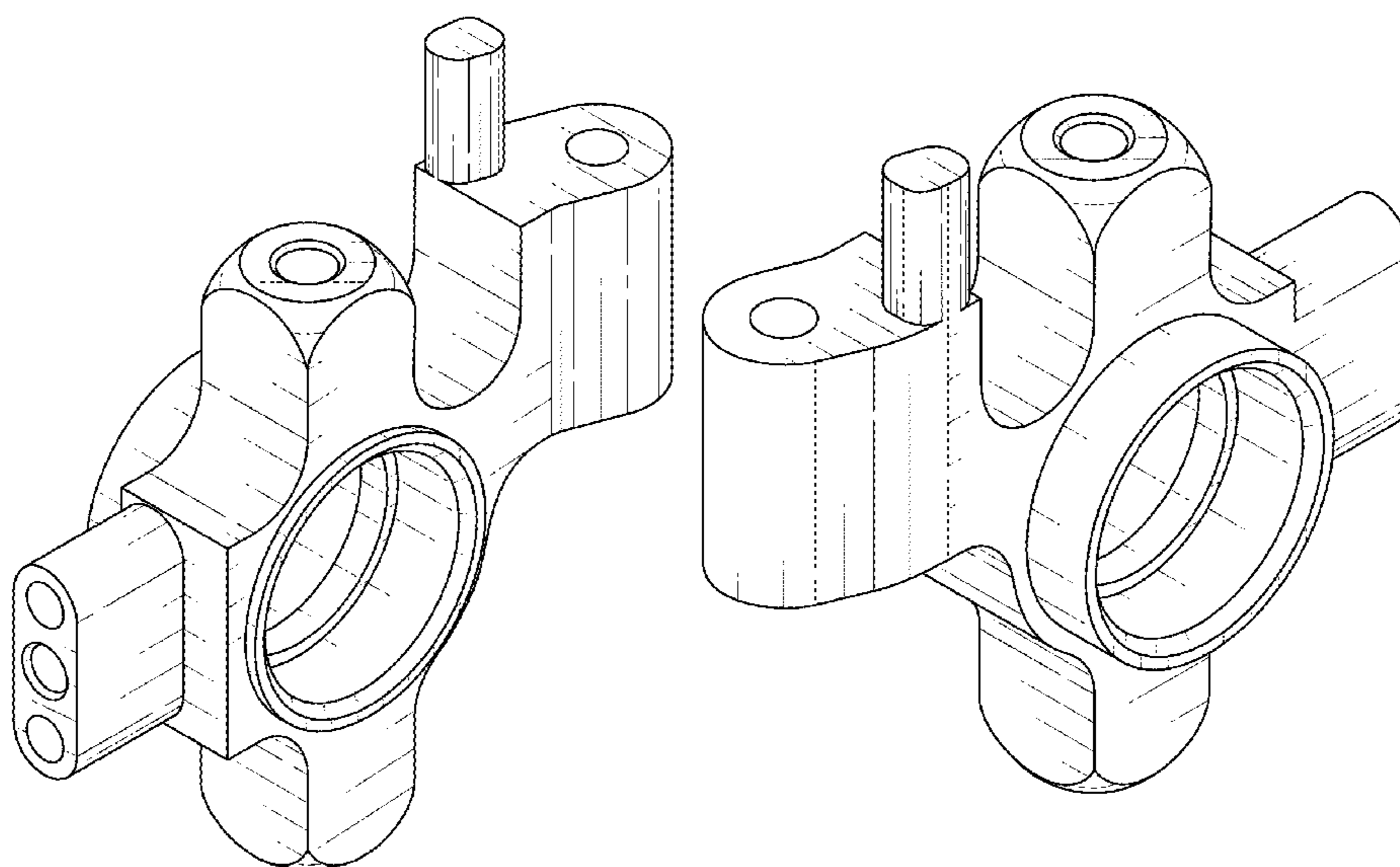
4,690,656	A *	9/1987	Friedman	A63H 17/262 446/469
D304,473	S	11/1989	Poulsen		
D605,985	S	12/2009	Pennala		
D686,952	S *	7/2013	Rau	D12/160
D822,125	S	7/2018	Ewing et al.		
D866,683	S *	11/2019	Ewing	D12/159
D868,171	S	11/2019	Wood		
D891,998	S	8/2020	Smith		
D900,160	S *	10/2020	Hudnall	D15/5
D900,250	S *	10/2020	Ewing	D21/561
D902,091	S	11/2020	Ewing et al.		

(Continued)

FIG. 1 is an upper, left, front perspective view of the first left-side embodiment of a model vehicle steering block set showing our new design; FIG. 2 is an upper, right, rear perspective view thereof; FIG. 3 is a lower, right, front perspective view thereof; FIG. 4 is a lower, left, rear perspective view thereof; FIG. 5 is a front elevation view thereof; FIG. 6 is a rear elevation view thereof; FIG. 7 is an upper plan view thereof; FIG. 8 is a lower plan view thereof; FIG. 9 is a right-side elevation view thereof; and, FIG. 10 is a left-side elevation view of a model vehicle steering block set.

A second right-side embodiment, which is a mirror of the first embodiment, also forms a part of the claimed design.

1 Claim, 7 Drawing Sheets



(56)

References Cited

U.S. PATENT DOCUMENTS

D904,532 S	*	12/2020	Ewing	D21/561
D923,115 S		6/2021	Ewing et al.	
D923,722 S	*	6/2021	Ewing	D21/562
D947,290 S	*	3/2022	Christensen	D12/159
D947,958 S	*	4/2022	Christensen	D12/159
D947,959 S	*	4/2022	Christensen	D12/159
D1,014,657 S		2/2024	Christensen et al.	
D1,053,277 S		12/2024	Poteet et al.	
D1,059,500 S	*	1/2025	Collins	D21/562
D1,074,847 S	*	5/2025	House	D12/159
D1,074,857 S		5/2025	Wood et al.	
D1,089,445 S	*	8/2025	Ewing	D12/159

FOREIGN PATENT DOCUMENTS

GB	6408543	12/2024	
GB	642857	* 2/2025	
WO	WOD095551	* 4/2017	

OTHER PUBLICATIONS

Amazon Website, Traxxas Steering Block, No Available Date [Website Visited Sep. 4, 2025] Available on the Internet URL <https://www.amazon.com/dp/B0DYRHVLDX/> (Year: 2025).*

Amazon Website, Injora Steering Blocks, Earliest Comment Date: Apr. 16, 2023 [Website Visited Sep. 4, 2025] Available on the Internet URL <https://www.amazon.com/dp/B0BXST8D22/> (Year: 2023).*

Xray; "T1R Raycer-Instruction Manual;" Xray Model Racing Cars, Trencin, Slovak Republic, Europe.

Traxxas Sledge Left & Right Steering Blocks, as shown in www.hobbytown.com, Jul. 27, 2022, Part # TRA9537. (Year: 2022).

Traxxas XRT Steering Blocks (2), as shown in www.hobbytown.com, May 16, 2023, Part # TRA7836. (Year: 2023).

Arrma 4S BLX Steering Block (2), as shown in www.hobbytown.com, Jul. 16, 2019, Part # ARA330523. (Year: 2019).

Aluminum Alloy Front Hubs Steering Blocks for Traxxas X-MAXX 1/5 Scale RC Car Upgrade Parts (Red), Zxyrc Store, as shown in www.amazon.com, Apr. 10, 2022. (Year: 2022).

Traxxas 7836-Gray Steering Blocks Alum Gray, as shown in www.rc-powerhouse.com, no date listed, date found Jun. 18, 2024. (Year: 2024).

Zxyrc Aluminum Alloy Front Hubs Steering Blocks for Traxxas X-MAXX 1/5 Scale RC Car Upgrade Parts (Black), Amazon Website, Earliest Comment Date: Oct. 23, 2023 [Website Visited Oct. 3, 2024], Available on the internet URL: <https://www.amazon.com/dp/B09HGMLF6K?th=1> (Year: 2023).

Aluminum Steering Blocks, Traxxas Website, No Available Date [Website Visited Oct. 3, 2024], Available on the Internet URL: <https://traxxas.com/products/parts/7836-GRAY> (Year: 2024).

Traxxas TRX-4M Aluminum Steering Blocks (Grey) (2), Part#: TRA9737-Blue, as shown in www.amainhobbies.com, May 17, 2023. (Year: 2023).

Yokomo YZ-4 Steering Block Set, Part#: YOKZ4-415SA, as shown in www.amainhobbies.com, Nov. 19, 2015. (Year: 2015).

Element RC Enduro IFS 2 Steering Blocks, Part#: ASC42342, as shown in www.amainhobbies.com, Jul. 17, 2023. (Year: 2023).

* cited by examiner

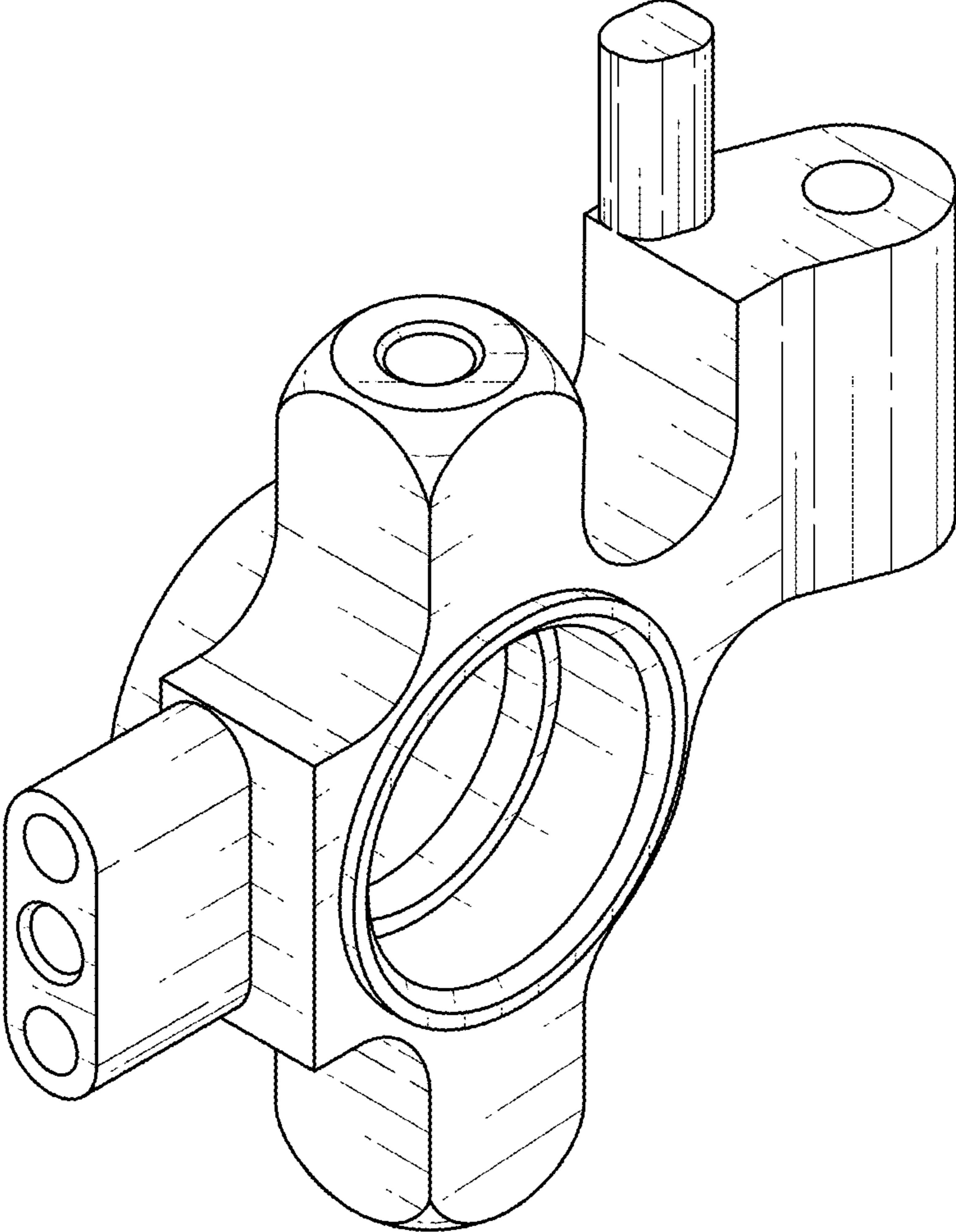


FIG. 1

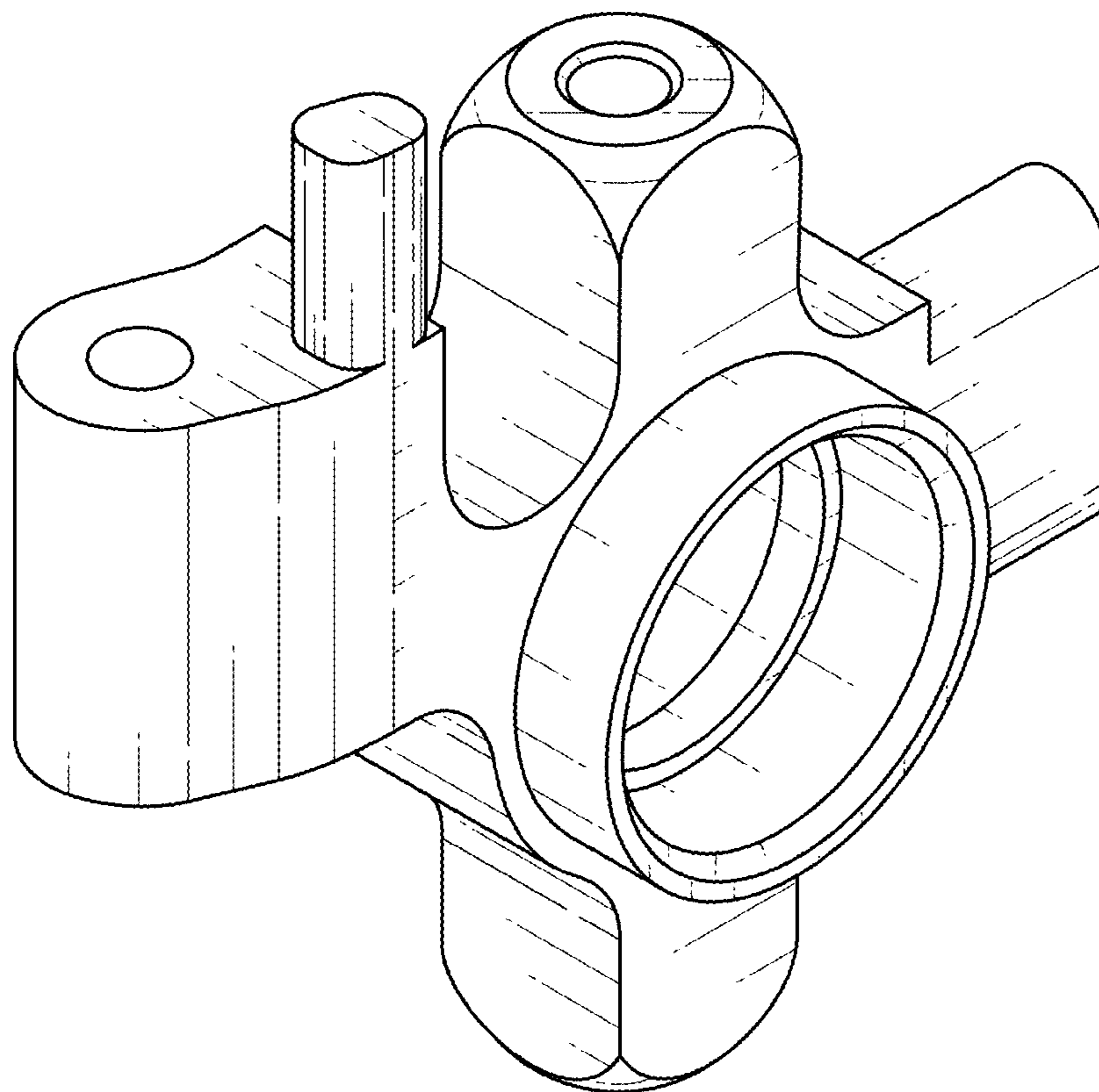


FIG. 2

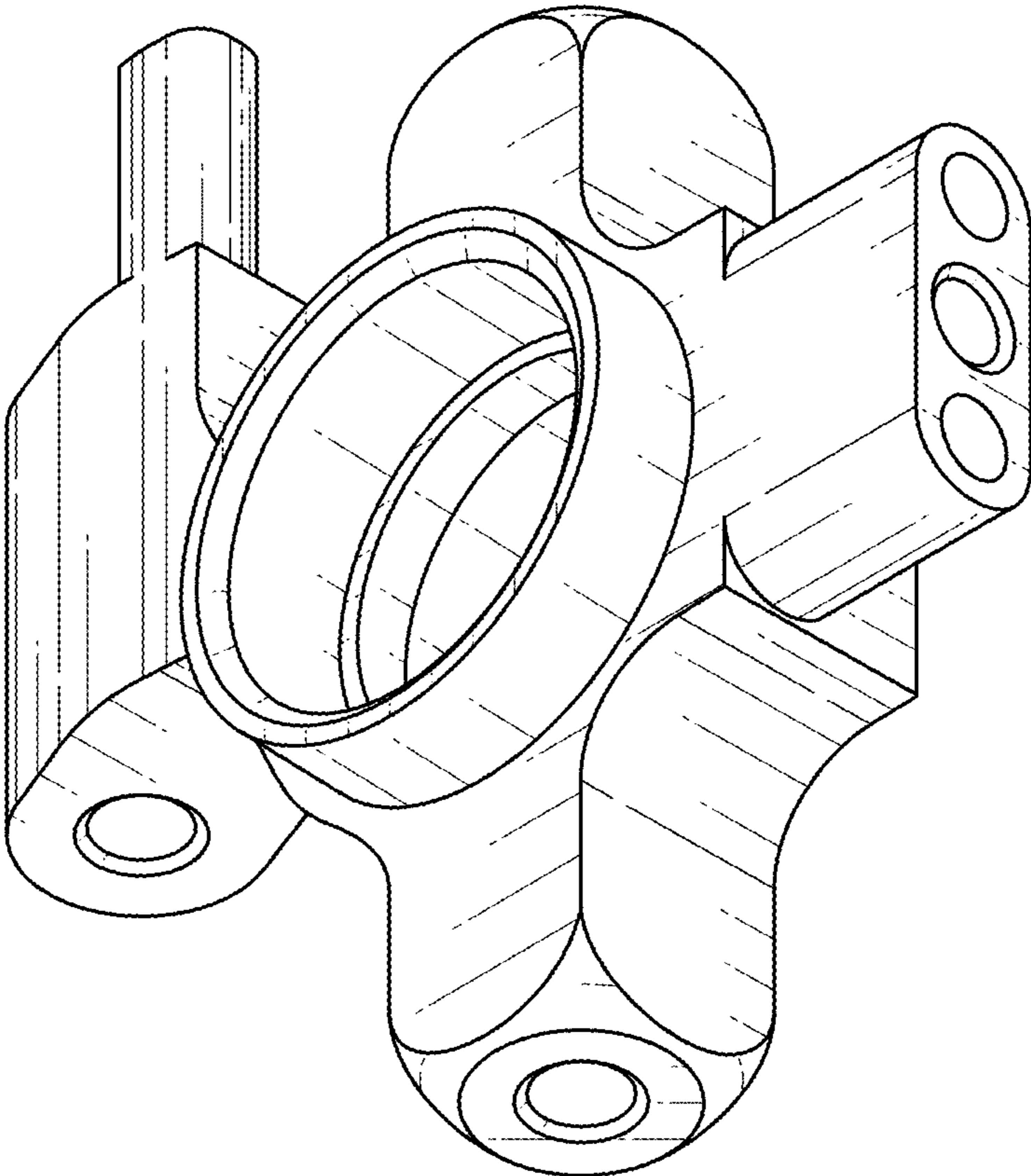


FIG. 3

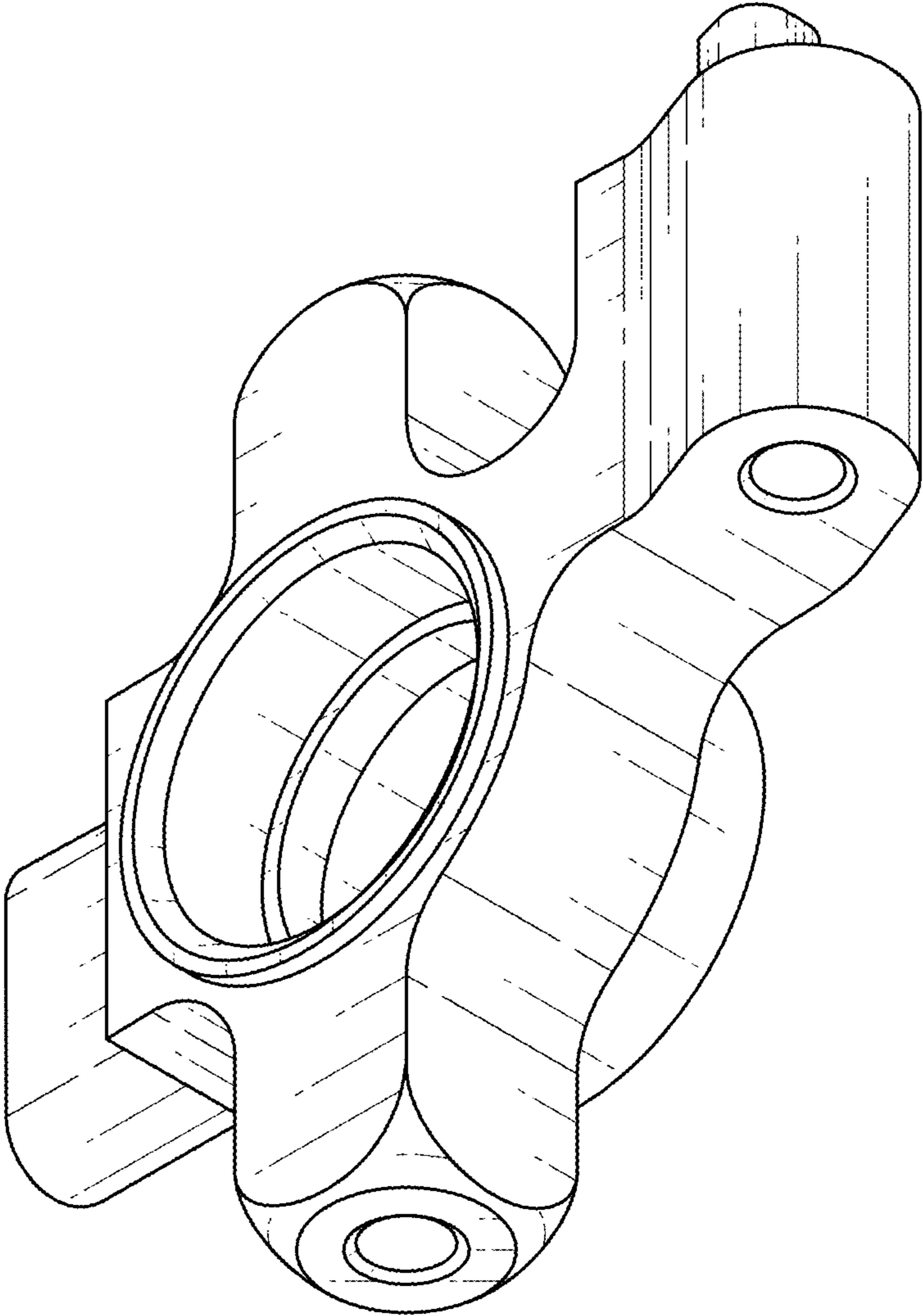


FIG. 4

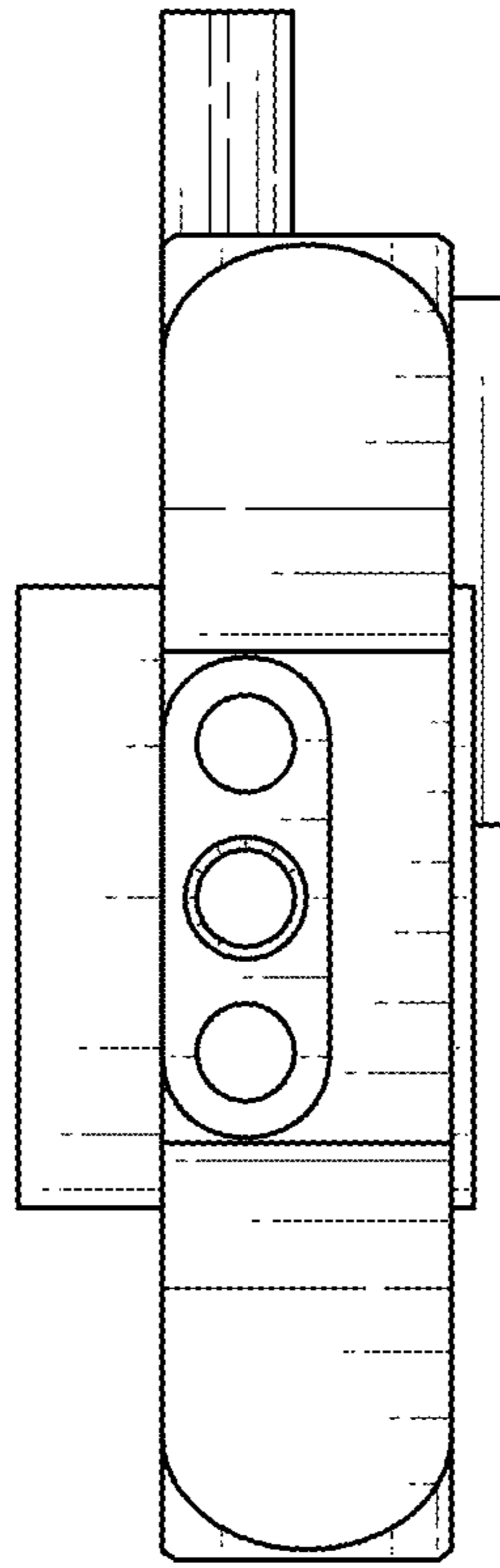


FIG. 5

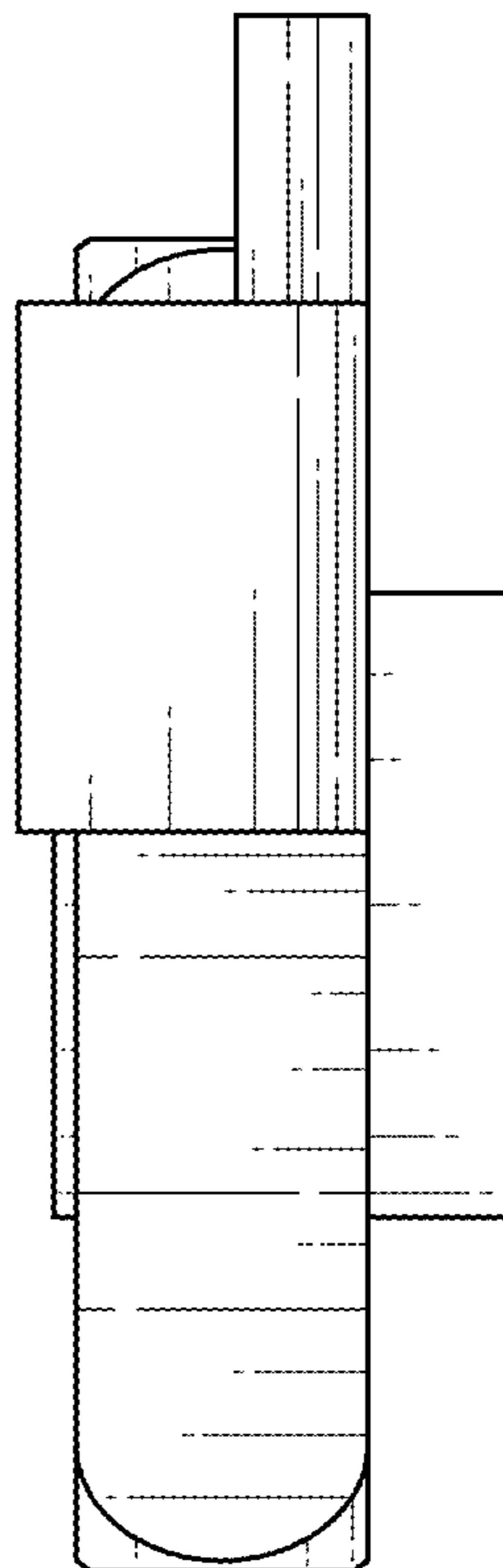


FIG. 6

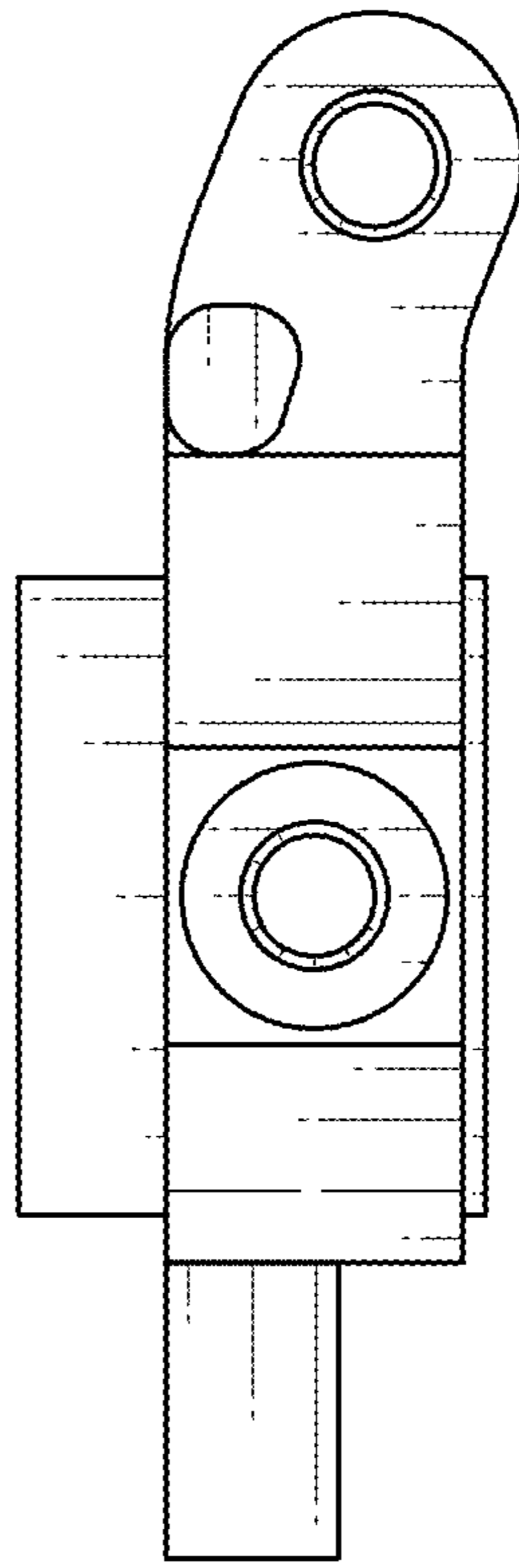


FIG. 7

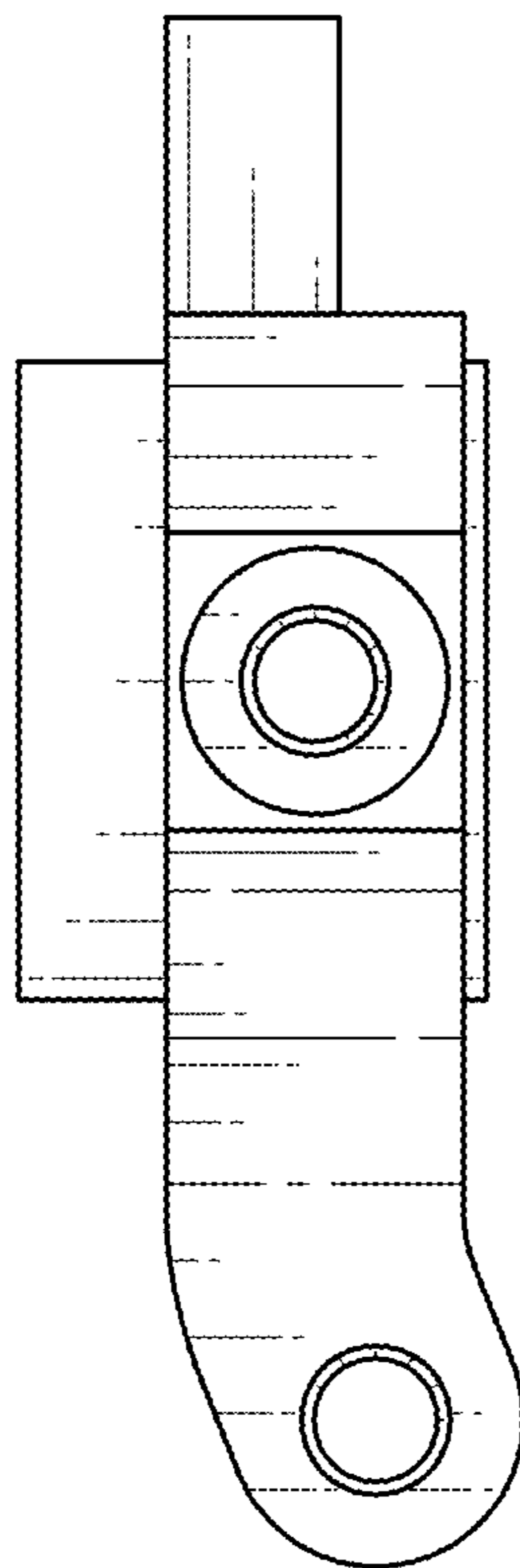


FIG. 8

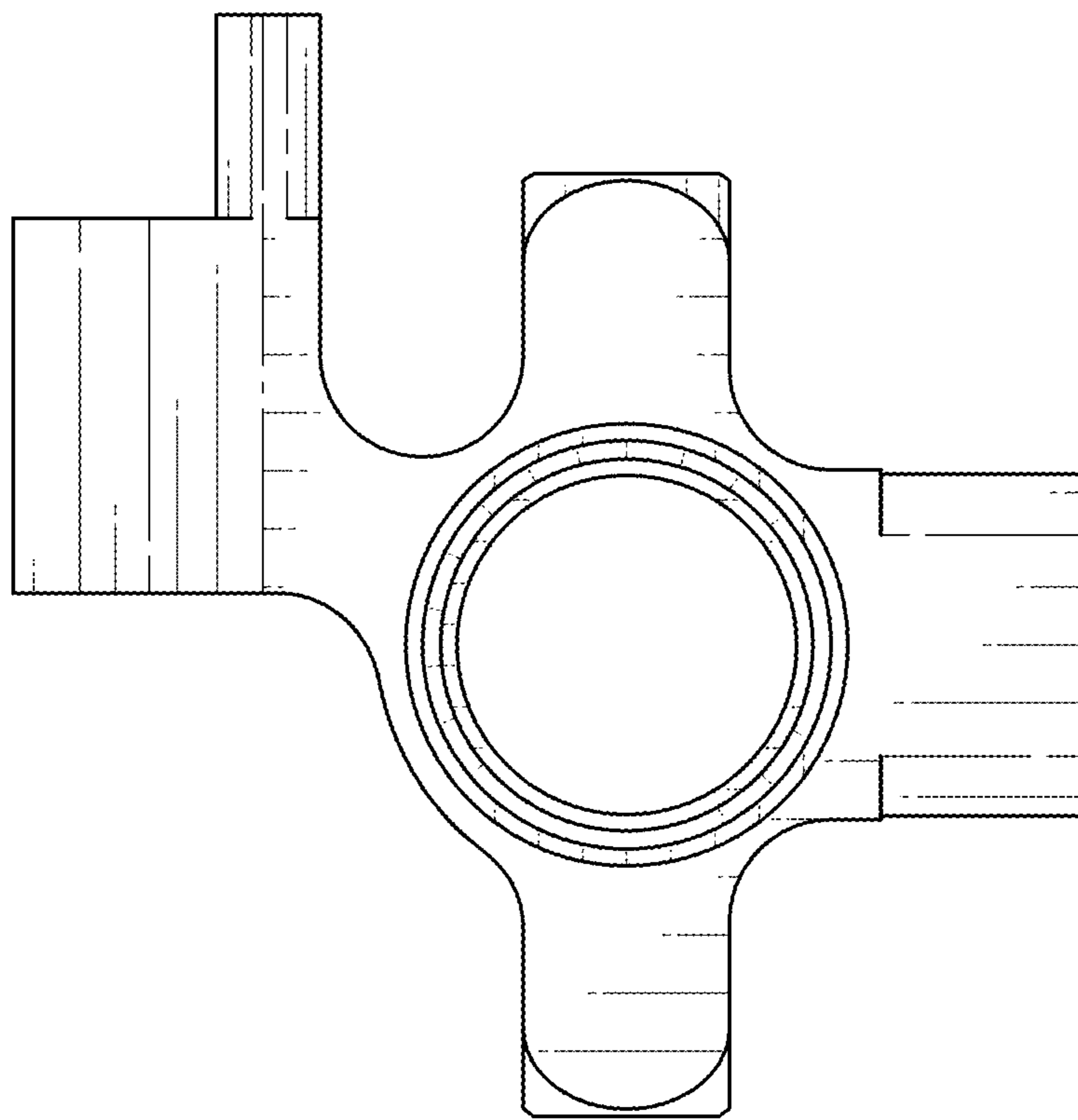


FIG. 9

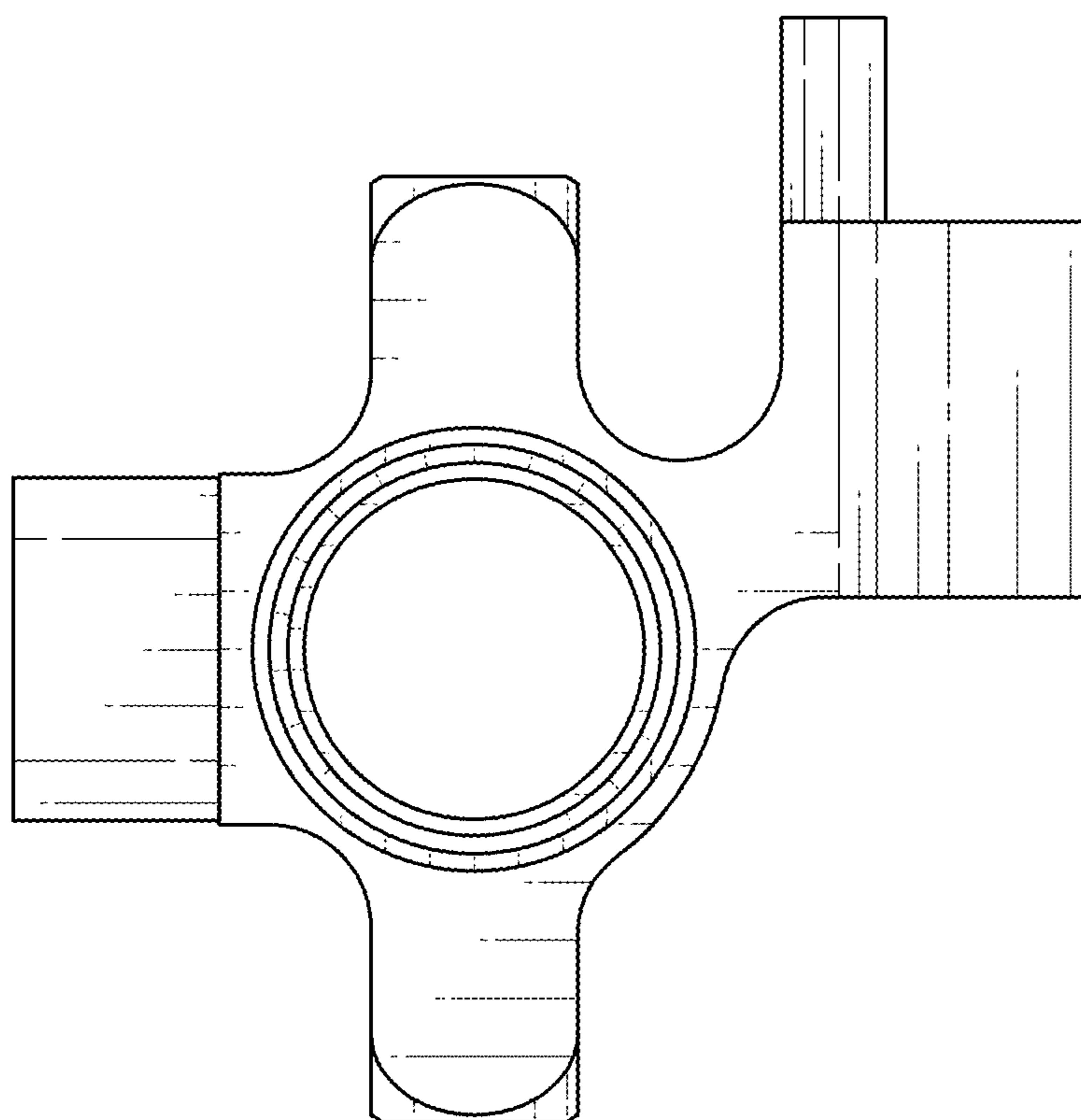


FIG. 10