



US0D1120130S

(12) **United States Design Patent**
Collins et al.

(10) **Patent No.: US D1,120,130 S**
(45) **Date of Patent: ** Mar. 24, 2026**

(54) **MODEL VEHICLE BODY ASSEMBLY**

D825,685 S 8/2018 Tompkin
D834,110 S 11/2018 Tompkin
D888,839 S * 6/2020 Herlitz D21/424
(Continued)

(71) Applicant: **TRAXXAS, L.P.**, McKinney, TX (US)

(72) Inventors: **Trent Collins**, McKinney, TX (US);
Ross Martin, Roanoke, TX (US);
Caleb Hix, McKinney, TX (US); **Noah House**, Sachse, TX (US); **Terry Soward**, Van Alstyne, TX (US); **Jory Sprowl**, Howe, TX (US); **Otto Karl Allmendinger**, Rowlett, TX (US); **Adam Cole Ewing**, McKinney, TX (US); **Kent Poteet**, Lucas, TX (US)

FOREIGN PATENT DOCUMENTS

CN 306563179 * 5/2021
CN 306613476 * 6/2021
CN 309029390 A1 12/2024
EM 015051245-0003 A1 6/2024
EM 015051245-0004 * 6/2024
HK 2424219-0001 A1 12/2024

(73) Assignee: **TRAXXAS, L.P.**, McKinney, TX (US)

Amazon Website, Sakeye RC Drift Car, Earliest Comment Date: Apr. 8, 2025[Website Visited Mar. 17, 2025] Available on the Internet URL <https://www.amazon.com/dp/B0B8JTDNKF/> (Year: 2025).*

(**) Term: **15 Years**

(Continued)

(21) Appl. No.: **29/900,838**

Primary Examiner — Michael C Stout
Assistant Examiner — James T Tyree

(22) Filed: **Aug. 25, 2023**

(51) **LOC (15) Cl.** **21-01**

(74) *Attorney, Agent, or Firm* — Daryl R. Wright; Greg Carr

(52) **U.S. Cl.**

USPC **D21/548**; D21/533; D21/562

(58) **Field of Classification Search**

USPC D21/424, 550, 552, 548, 560, 578, 427,
D21/433, 495, 561, 549, 562, 551;
D12/82, 83, 93

CPC ... A63H 17/262; A63H 17/004; A63H 17/002
See application file for complete search history.

OTHER PUBLICATIONS

CLAIM

The ornamental design for a model vehicle body assembly as shown and described.

(56) **References Cited**

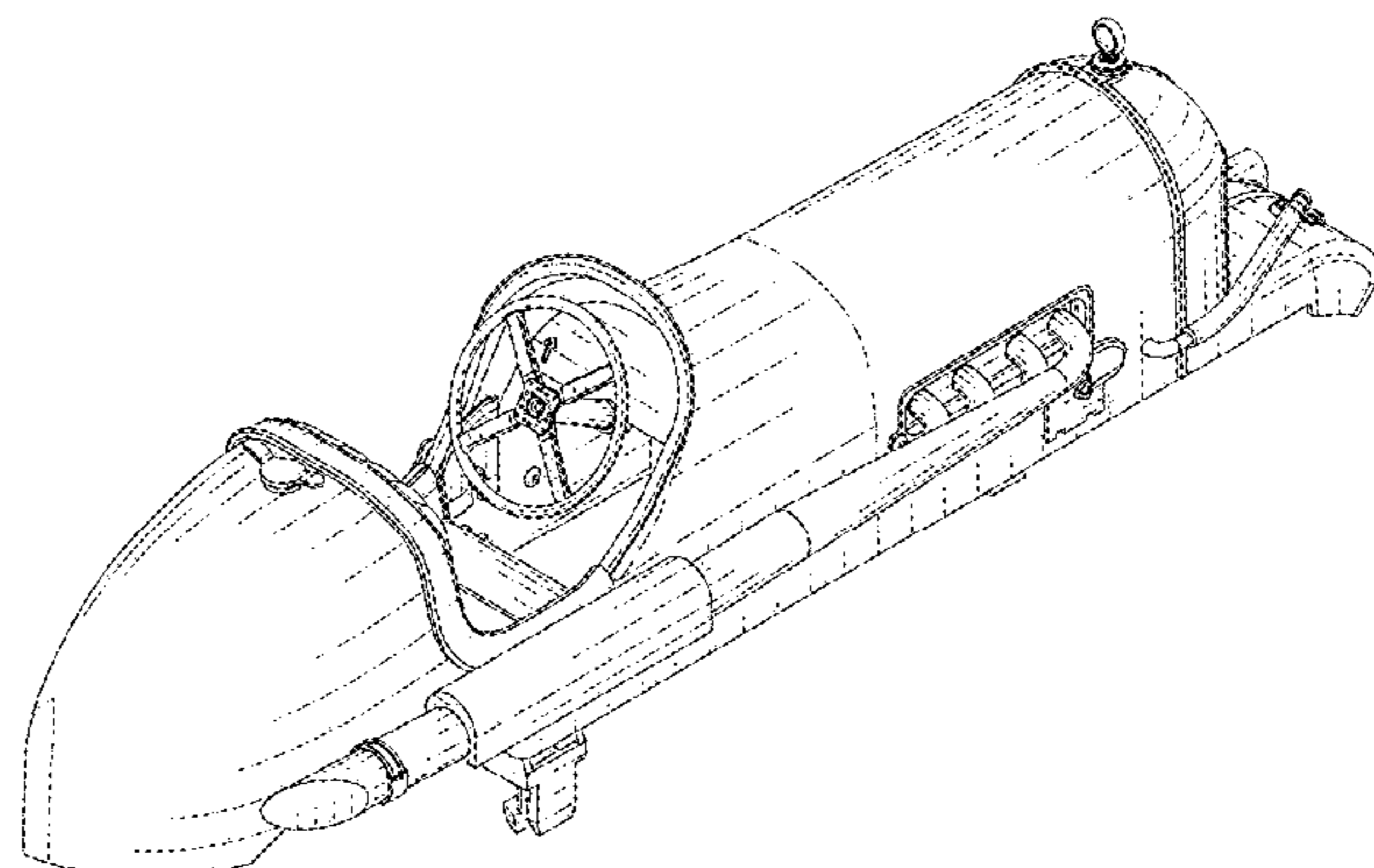
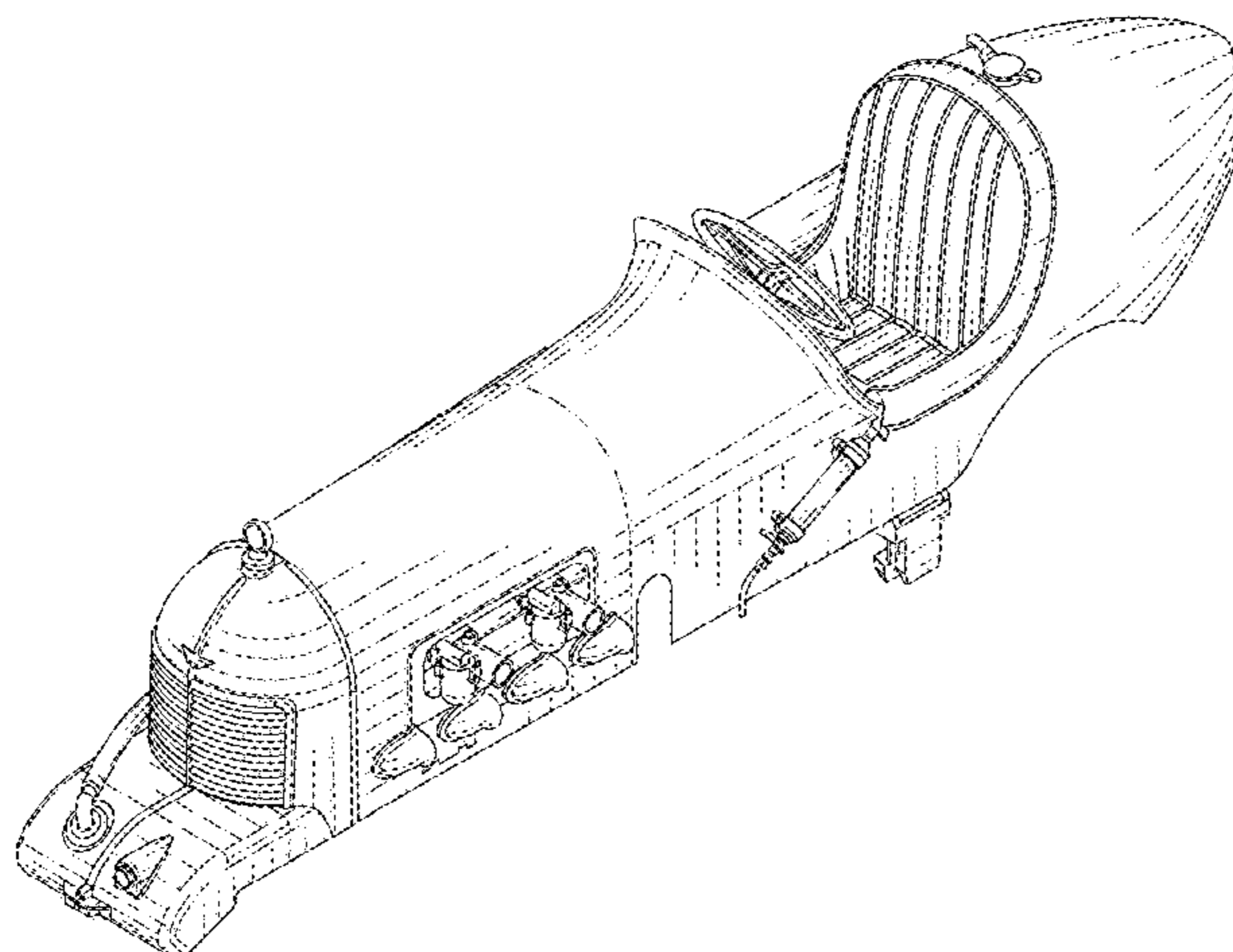
U.S. PATENT DOCUMENTS

D142,229 S * 8/1945 Roach D21/550
D404,691 S * 1/1999 Gerisch D12/92
D548,138 S * 8/2007 Geslin D12/87
D620,539 S * 7/2010 Badanjo D21/551
D640,755 S 6/2011 Herlitz et al.
D652,086 S 1/2012 Schmidem
D681,742 S * 5/2013 Martino D21/550
D803,329 S * 11/2017 Tompkin D21/550

DESCRIPTION

FIG. 1 is an upper, left, front perspective view of a model vehicle body assembly showing our new design; FIG. 2 is an upper, right, rear perspective view thereof; FIG. 3 is a lower, right, front perspective view thereof; FIG. 4 is a lower, left, rear perspective view thereof; FIG. 5 is a front elevation view thereof; FIG. 6 is a rear elevation view thereof; FIG. 7 is a right-side elevation view thereof; FIG. 8 is a left-side elevation view thereof; FIG. 9 is an upper plan view thereof; and, FIG. 10 is a lower plan view of the model vehicle body assembly.

1 Claim, 8 Drawing Sheets



(56)

References Cited

U.S. PATENT DOCUMENTS

D931,383	S		9/2021	Chen	
D941,933	S	*	1/2022	Li	D21/549
D947,955	S	*	4/2022	Barajas	D21/562
D973,150	S	*	12/2022	Liao	D21/550
D998,057	S	*	9/2023	Chen	D21/548
D1,000,541	S	*	10/2023	Chen	D21/548
D1,001,204	S	*	10/2023	Ramirez	D21/548

OTHER PUBLICATIONS

Amazon Website, Puxu Model Car, Earliest Comment Date: Sep. 12, 2021 [Website Visited Mar. 17, 2025] Available on the Internet URL <https://www.amazon.com/dp/B094H1762X/> (Year: 2021).*

Amazon Website, Mzamoxx Car Model, No Available Date [Website Visited Mar. 17, 2025] Available on the Internet URL <https://www.amazon.com/dp/B0DVCFHRPB/> (Year: 2025).*

1:28 Scale Pullback Diecast Metal Antique Classic Model Cars, Amazon Website, Earliest Comment Date: Sep. 12, 2021 [Website Visited Mar. 17, 2025]. Available on the Internet, URL: <https://www.amazon.com/dp/B094H1762X/> (Year: 2021).

RC Drift Cars Remote Control Car Sakeye RC Racing Car, Amazon Website, No Available Date [Website Visited Mar. 17, 2025]. Available on the Internet, URL: <https://www.amazon.com/dp/B0B8JTDNKF/> (Year: 2025).

Mzamoxx for Peugeot 3L 1920 Classic Car Model, No Available Date [Website Visited Mar. 17, 2025]. Available on the Internet, URL: <http://www.amazon.com/dp/B0DVCFHRPB> (Year: 2025).

* cited by examiner

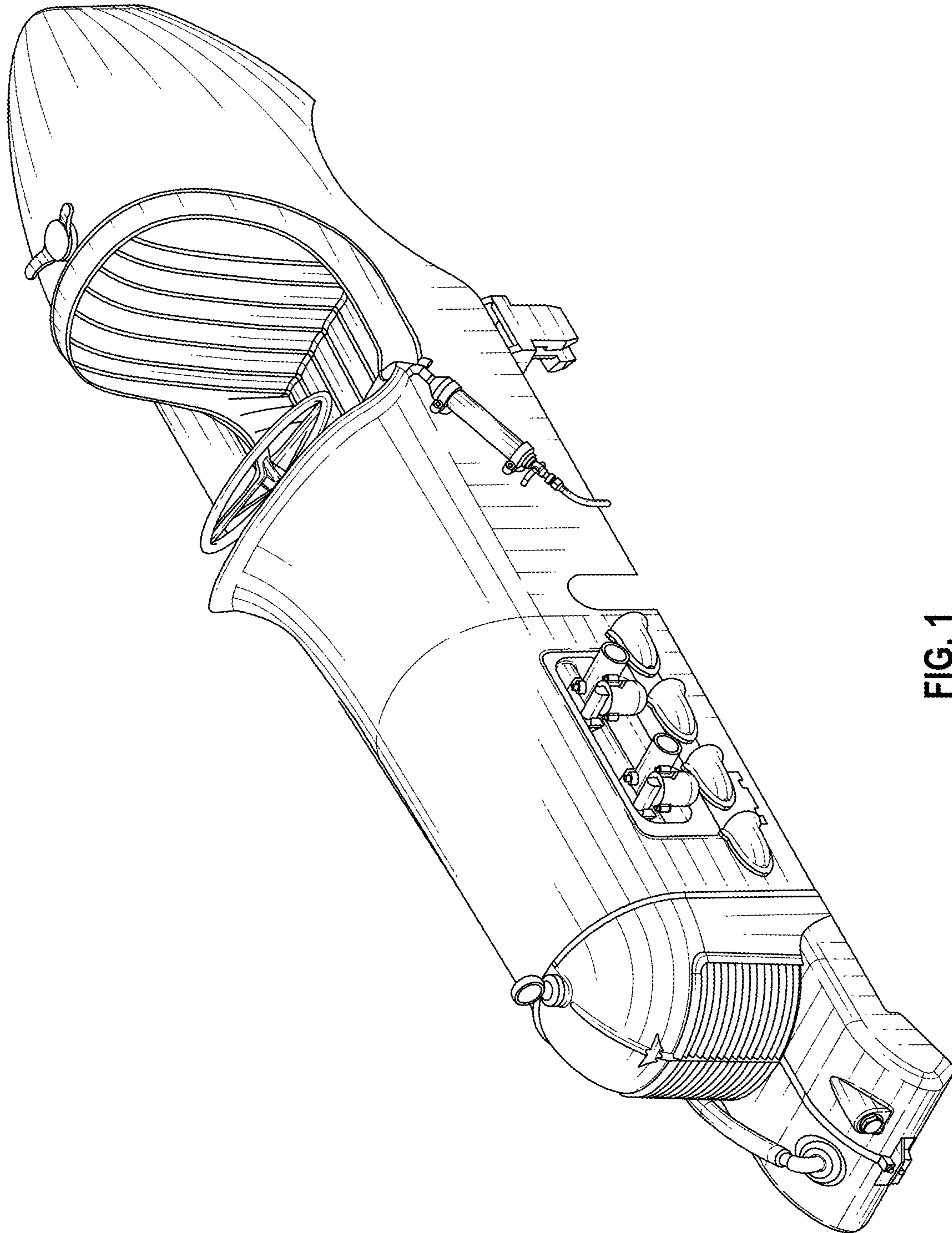


FIG. 1

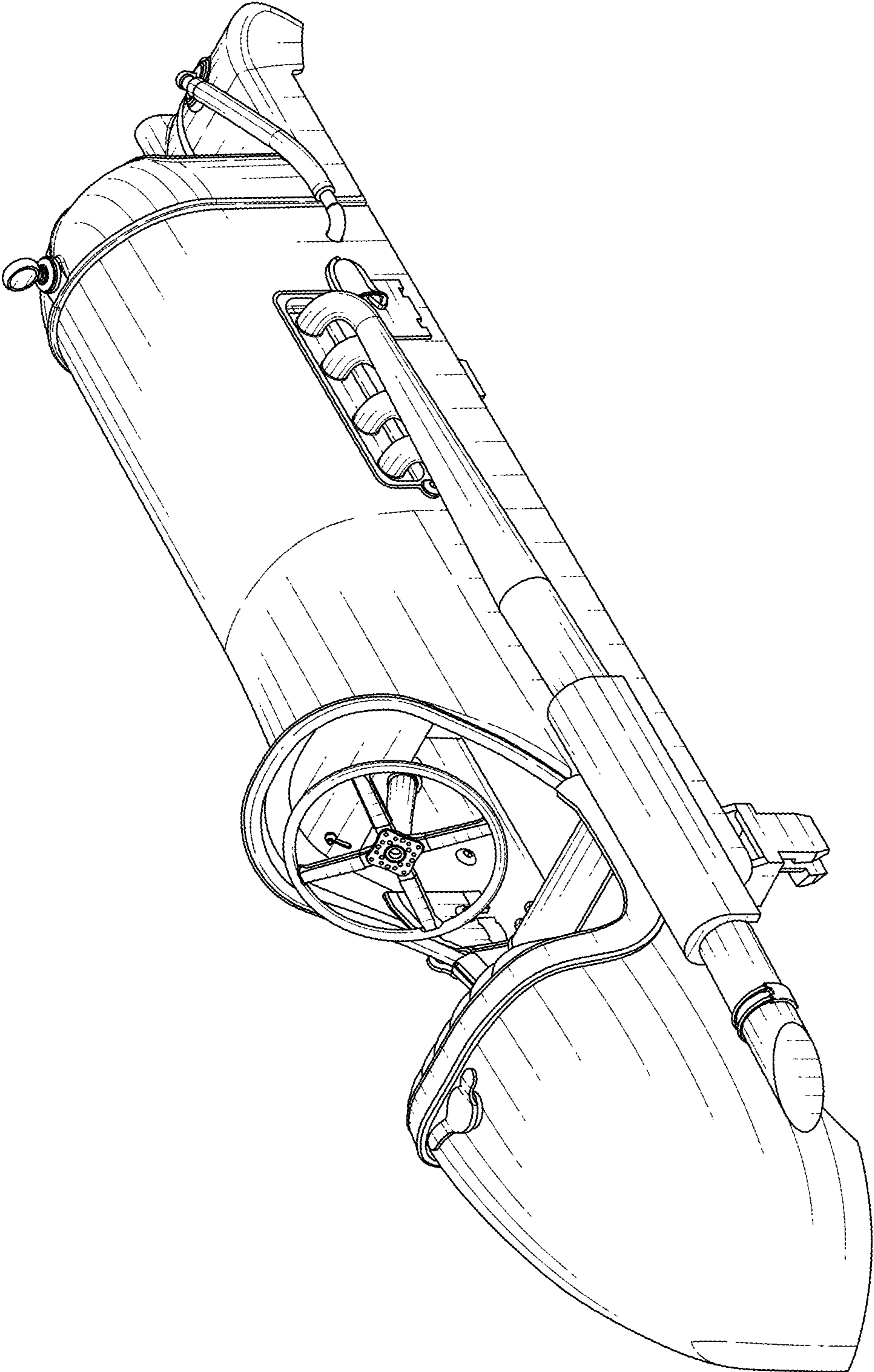


FIG. 2

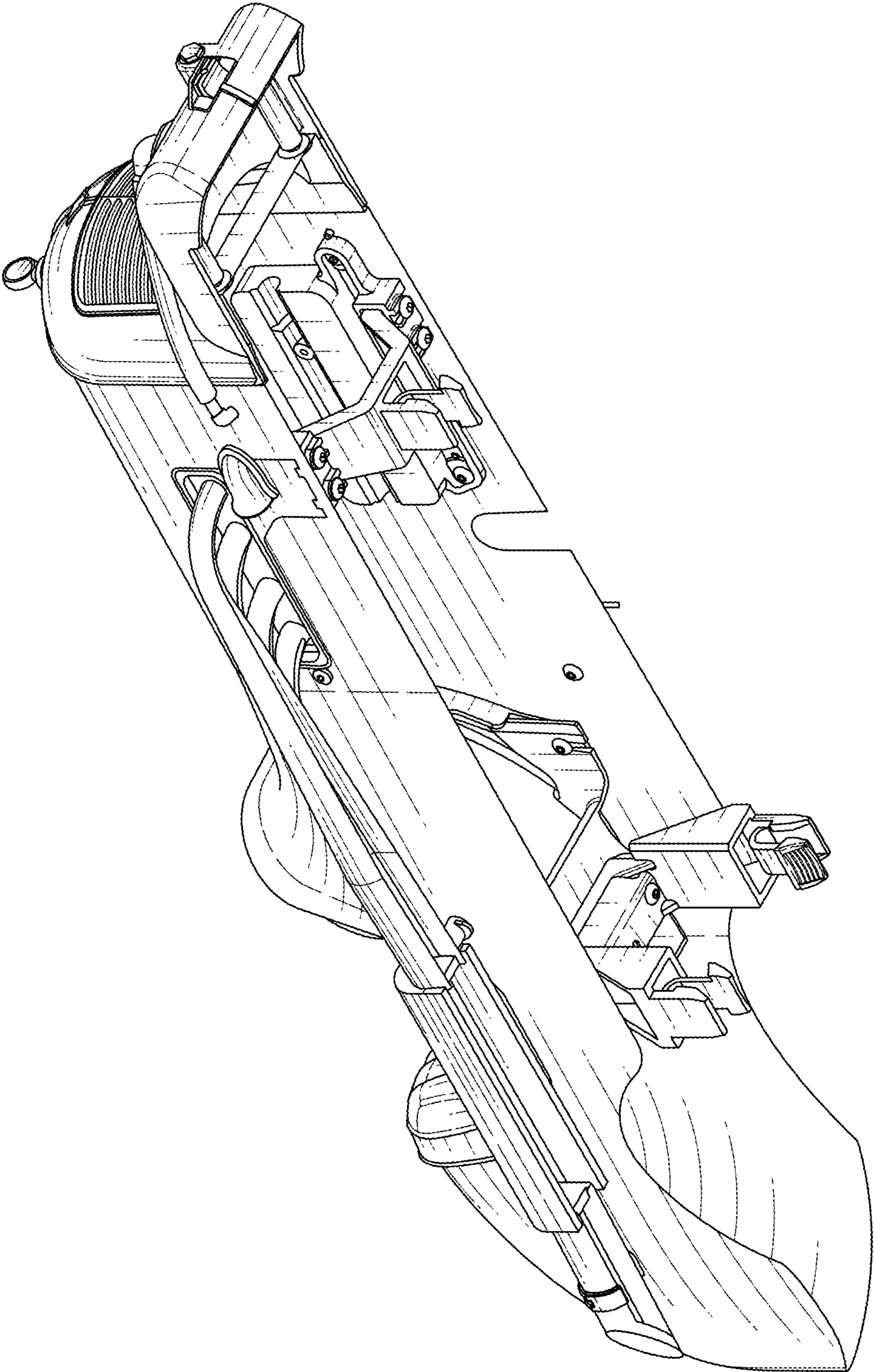


FIG. 3

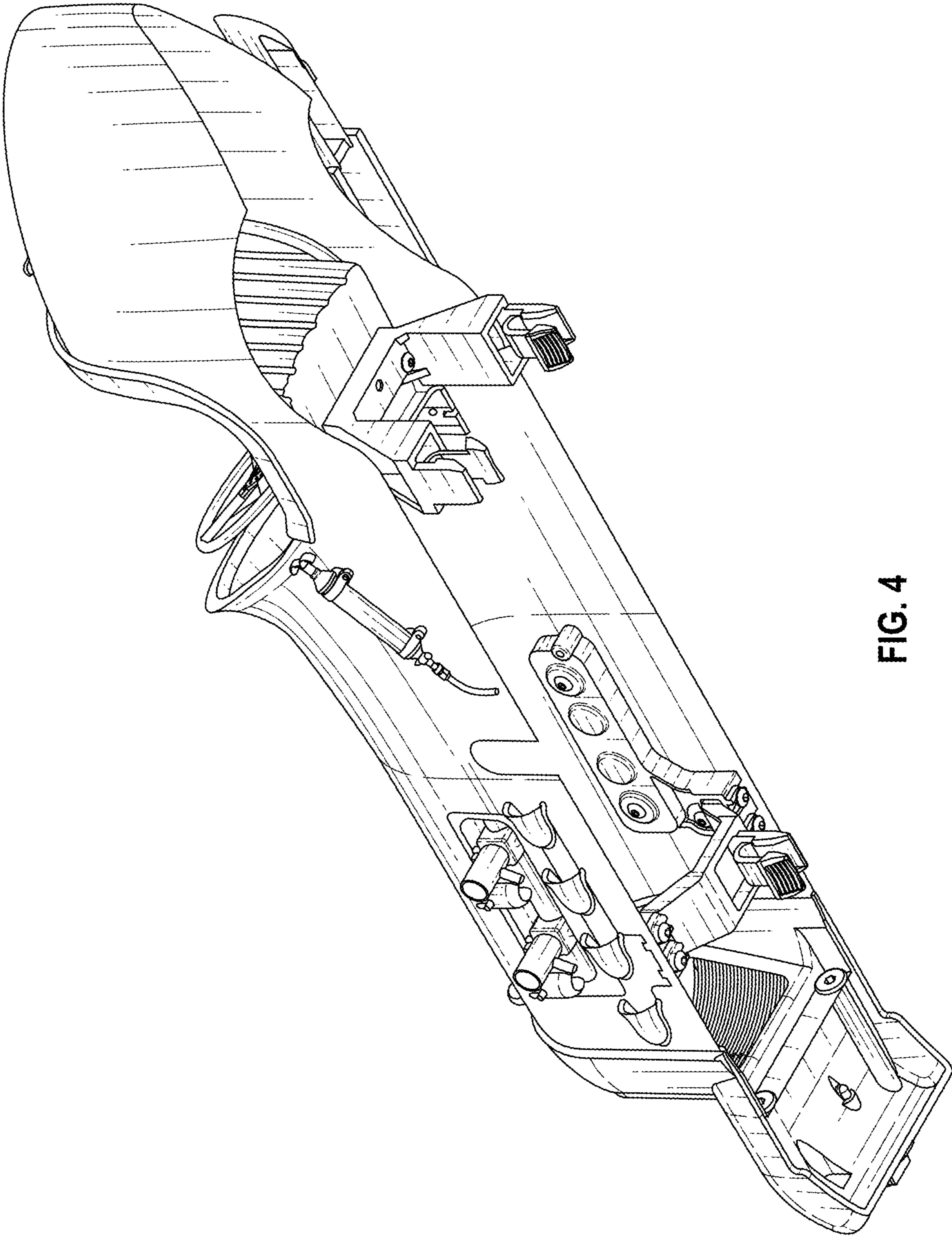


FIG. 4

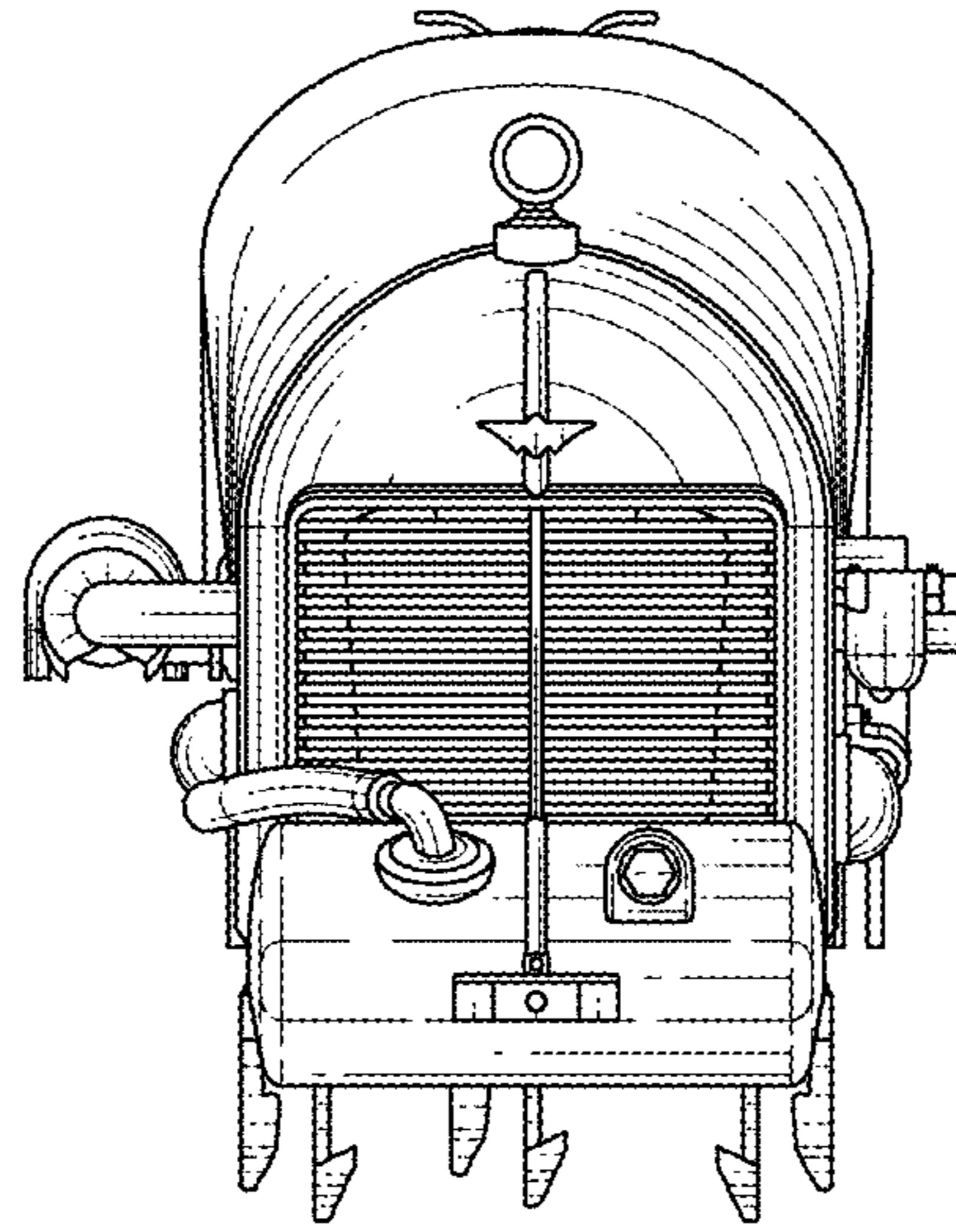


FIG. 5

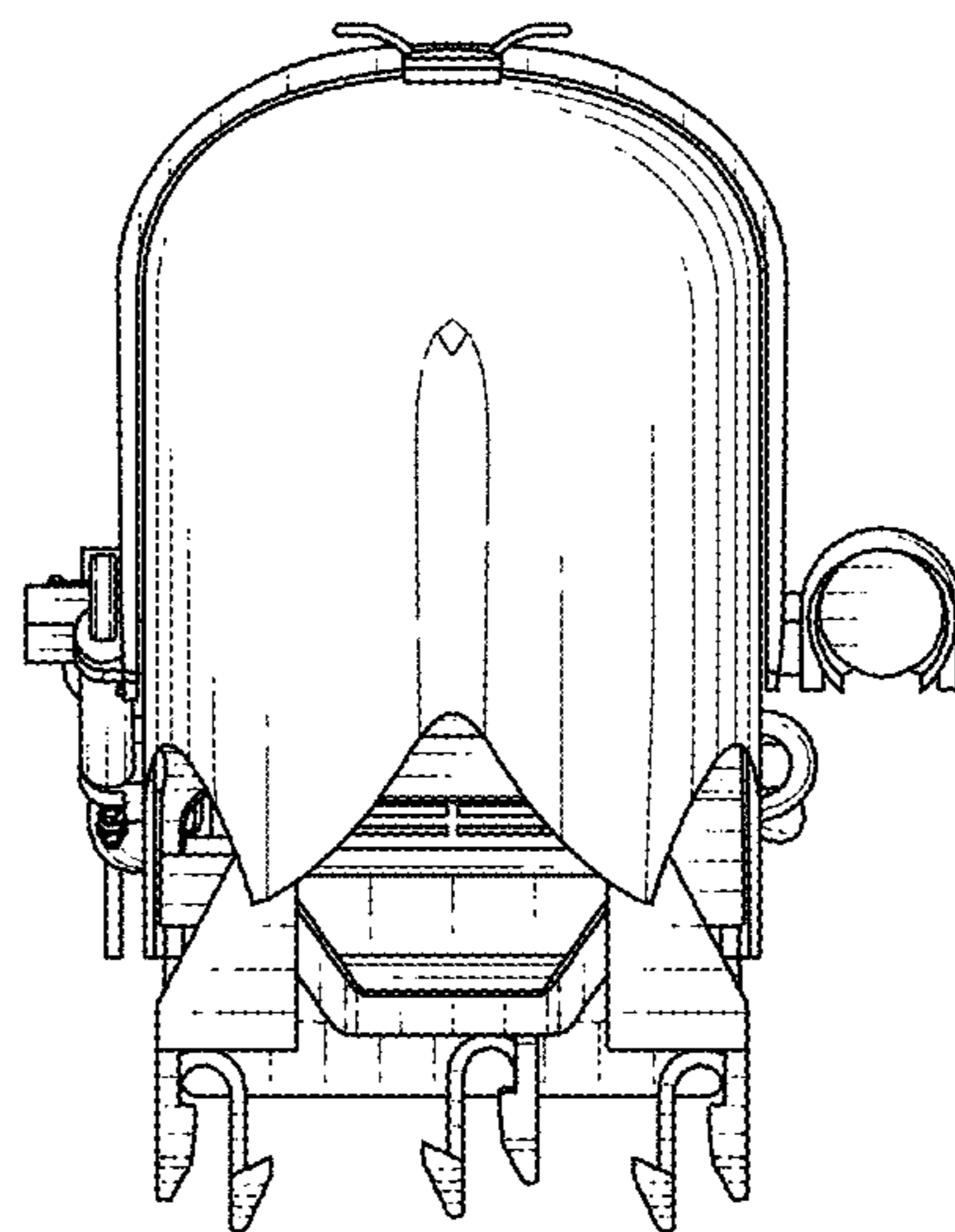


FIG. 6

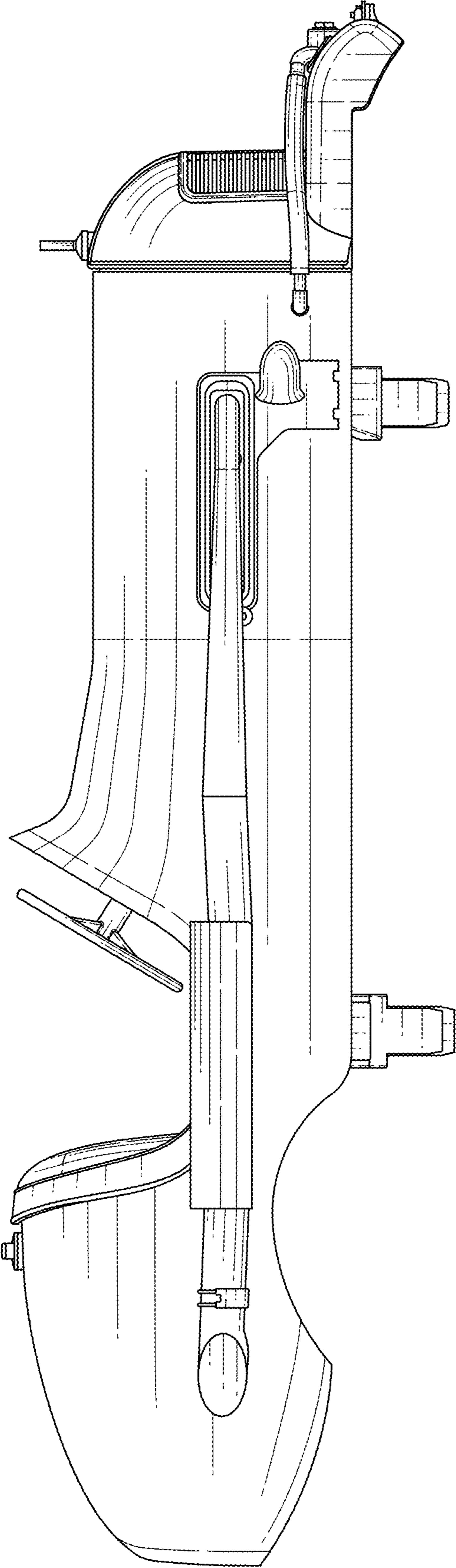


FIG. 7

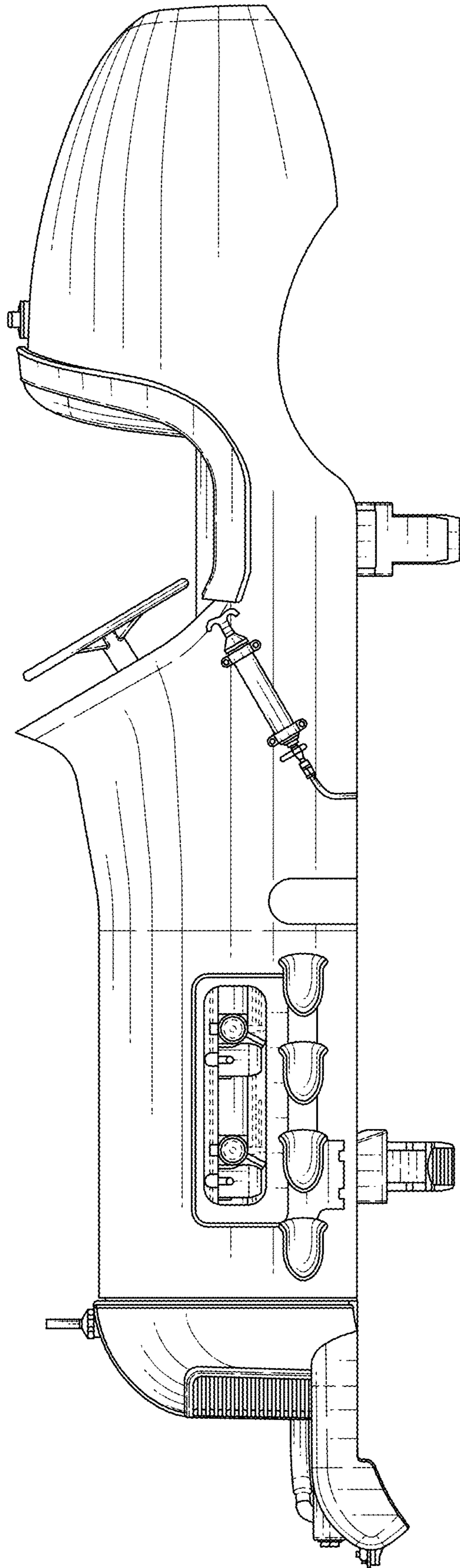


FIG. 8

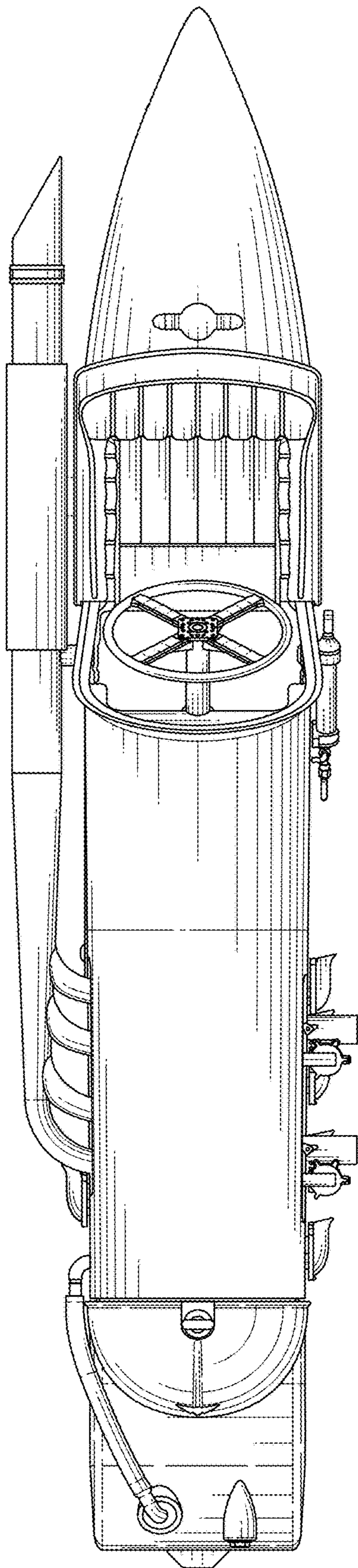


FIG. 9

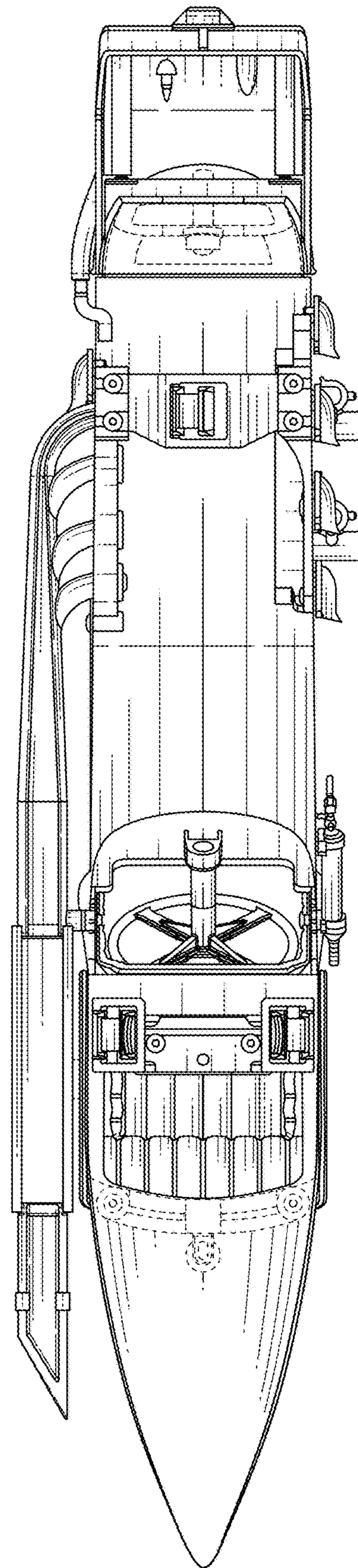


FIG. 10