



US0D1119878S

(12) **United States Design Patent**
Lin

(10) **Patent No.:** **US D1,119,878 S**

(45) **Date of Patent:** **** Mar. 24, 2026**

(54) **GATEWAY**

(71) Applicant: **Shenzhen Fulian Fugui Precision Industry Co., Ltd.**, Shenzhen (CN)

(72) Inventor: **Chih-Ling Lin**, New Taipei (TW)

(73) Assignee: **Shenzhen Fulian Fugui Precision Industry Co., Ltd.**, Shenzhen (CN)

(**) Term: **15 Years**

(21) Appl. No.: **29/923,931**

(22) Filed: **Jan. 3, 2024**

(51) **LOC (15) Cl.** **14-03**

(52) **U.S. Cl.**
USPC **D14/242; D14/240**

(58) **Field of Classification Search**
USPC ... D14/240, 242, 357, 358, 140, 140.9, 155,
D14/125; D3/300; D6/610
CPC H04L 12/00; H03K 17/00; H04W 88/00;
H04W 88/005
See application file for complete search history.

(56) **References Cited**

U.S. PATENT DOCUMENTS

D940,129 S * 1/2022 Lin D14/348
D945,986 S * 3/2022 Scala D14/242
D956,732 S * 7/2022 Kwak D14/240
D989,751 S * 6/2023 Mathieu D14/242

FOREIGN PATENT DOCUMENTS

CN 302781085 * 4/2014
CN 303248597 * 6/2015

CN 308315183 S 11/2023
CN 308811075 * 8/2024
KR 300708249.0000 * 9/2013
TW D206186 S 8/2020
TW D214490 S 10/2021
TW D222746 S 12/2022

OTHER PUBLICATIONS

AliExpress, TP Link Modem (Year: 2014), AliExpress https://www.aliexpress.us/item/3256808913641993.html?spm=a2g0o.productlist.main.7.229bjkcJjkcJBe&algo.*

* cited by examiner

Primary Examiner — Joseph Kukella

Assistant Examiner — Francis Wilder

(74) *Attorney, Agent, or Firm* — ScienBiziP, P.C.

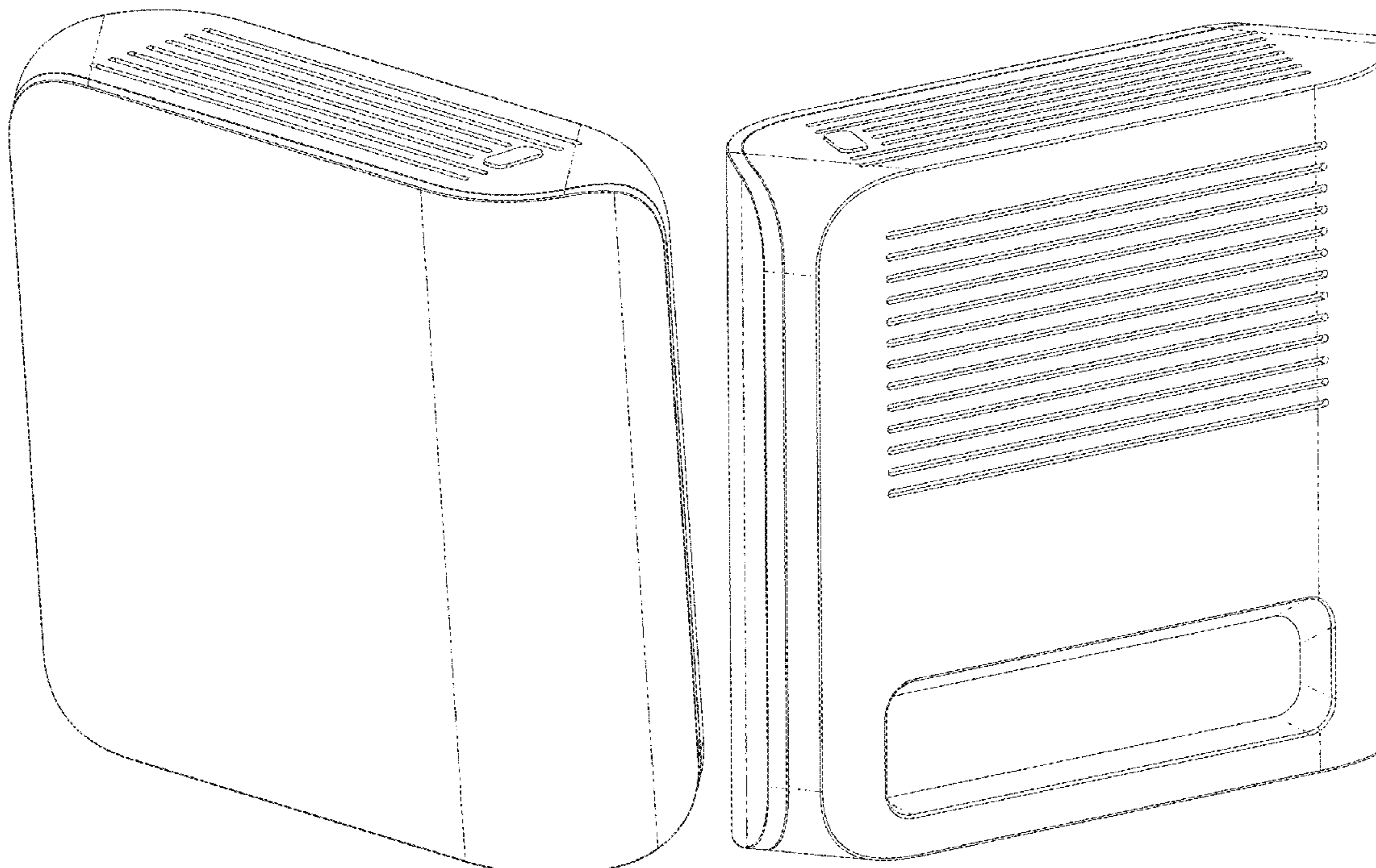
(57) **CLAIM**

The ornamental design for a gateway as shown and described.

DESCRIPTION

FIG. 1 is a perspective view of a gateway;
FIG. 2 is a rear perspective view thereof;
FIG. 3 is a front elevational view thereof;
FIG. 4 is a rear elevational view thereof;
FIG. 5 is a left side elevational view thereof;
FIG. 6 is a right side elevational view thereof;
FIG. 7 is a top plan view thereof; and,
FIG. 8 is a bottom plan view thereof.
Lines having a long dash followed by two shorter dashes indicate tangent edges and form no part of the claimed design.

1 Claim, 8 Drawing Sheets



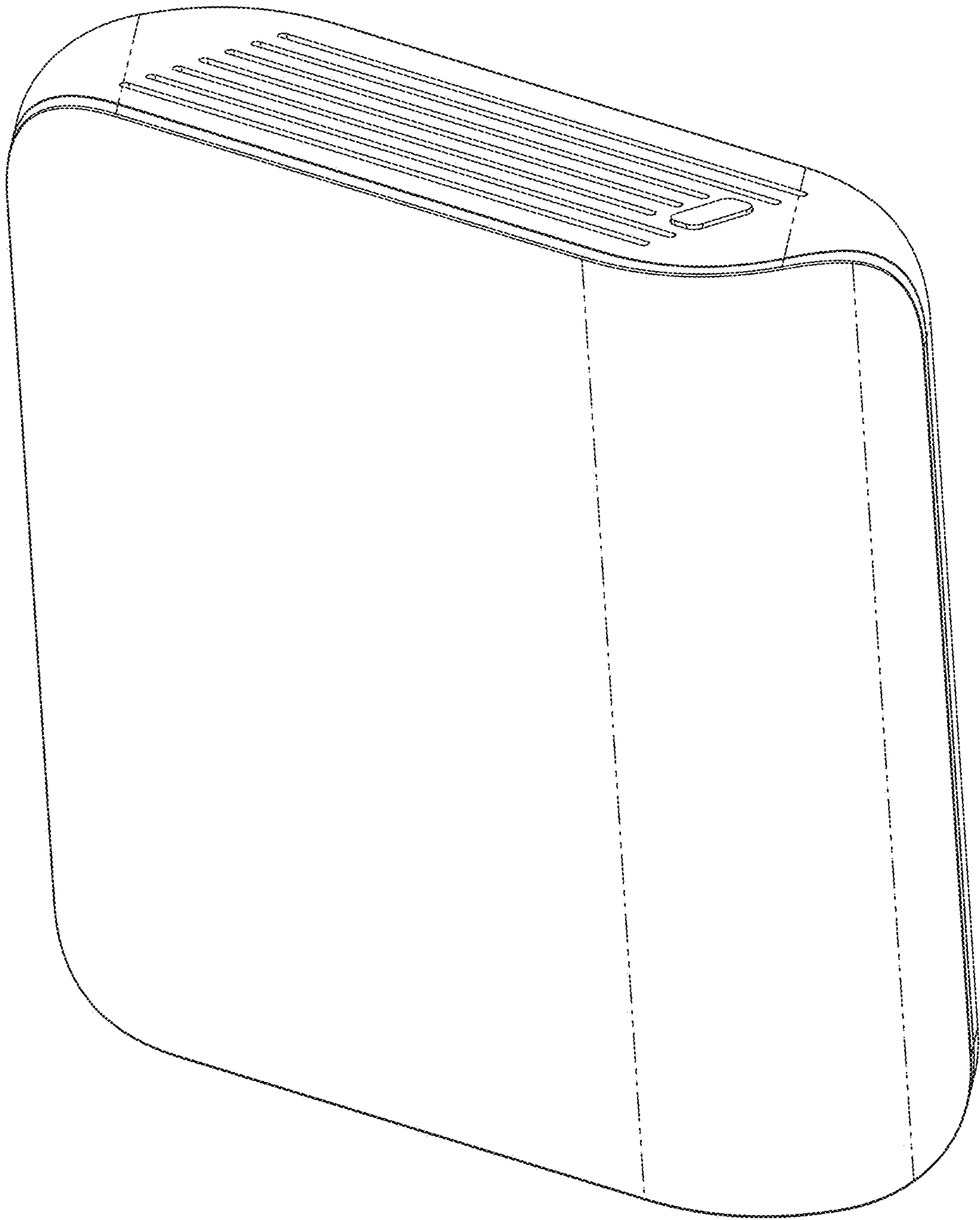


Fig. 1

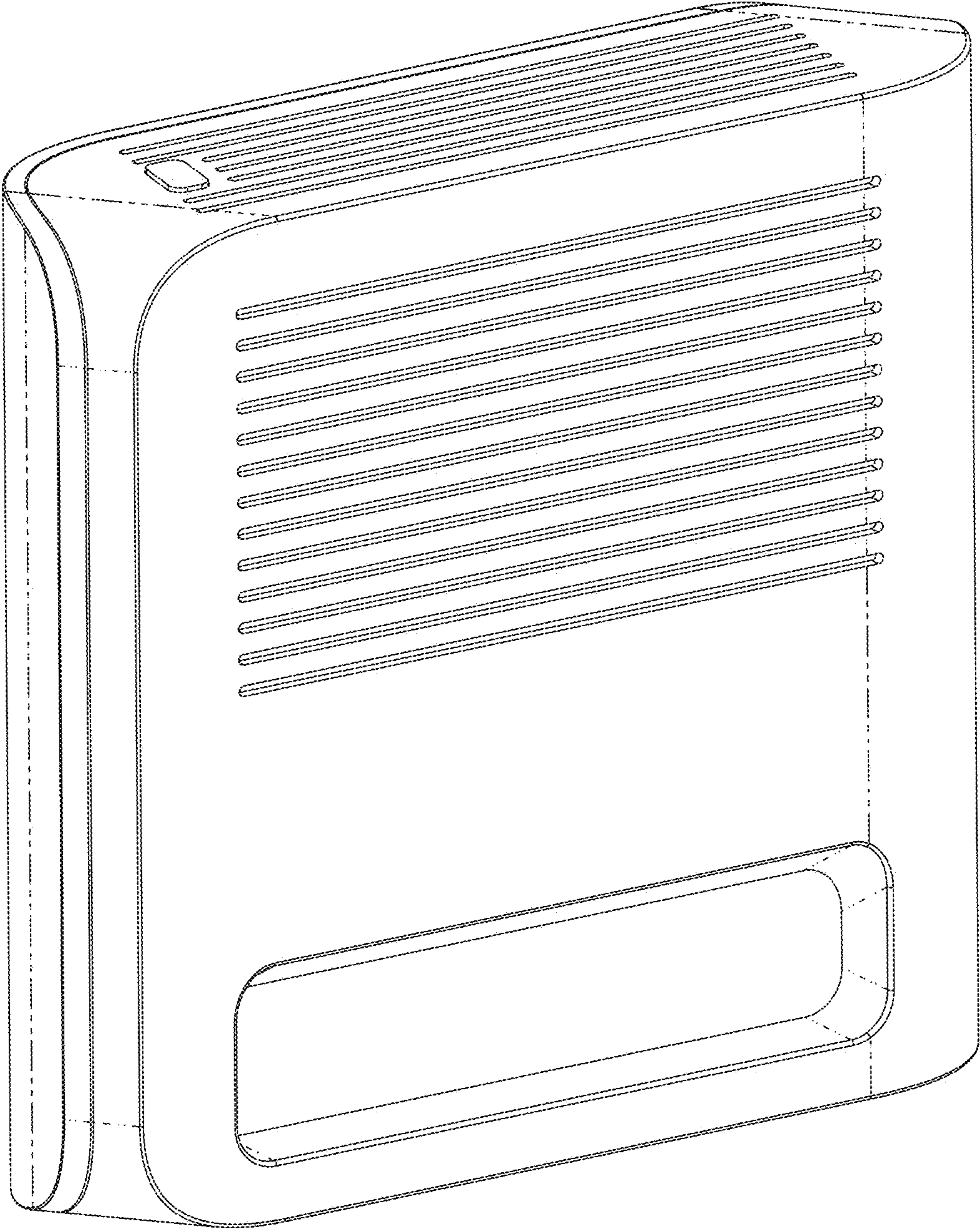


Fig. 2

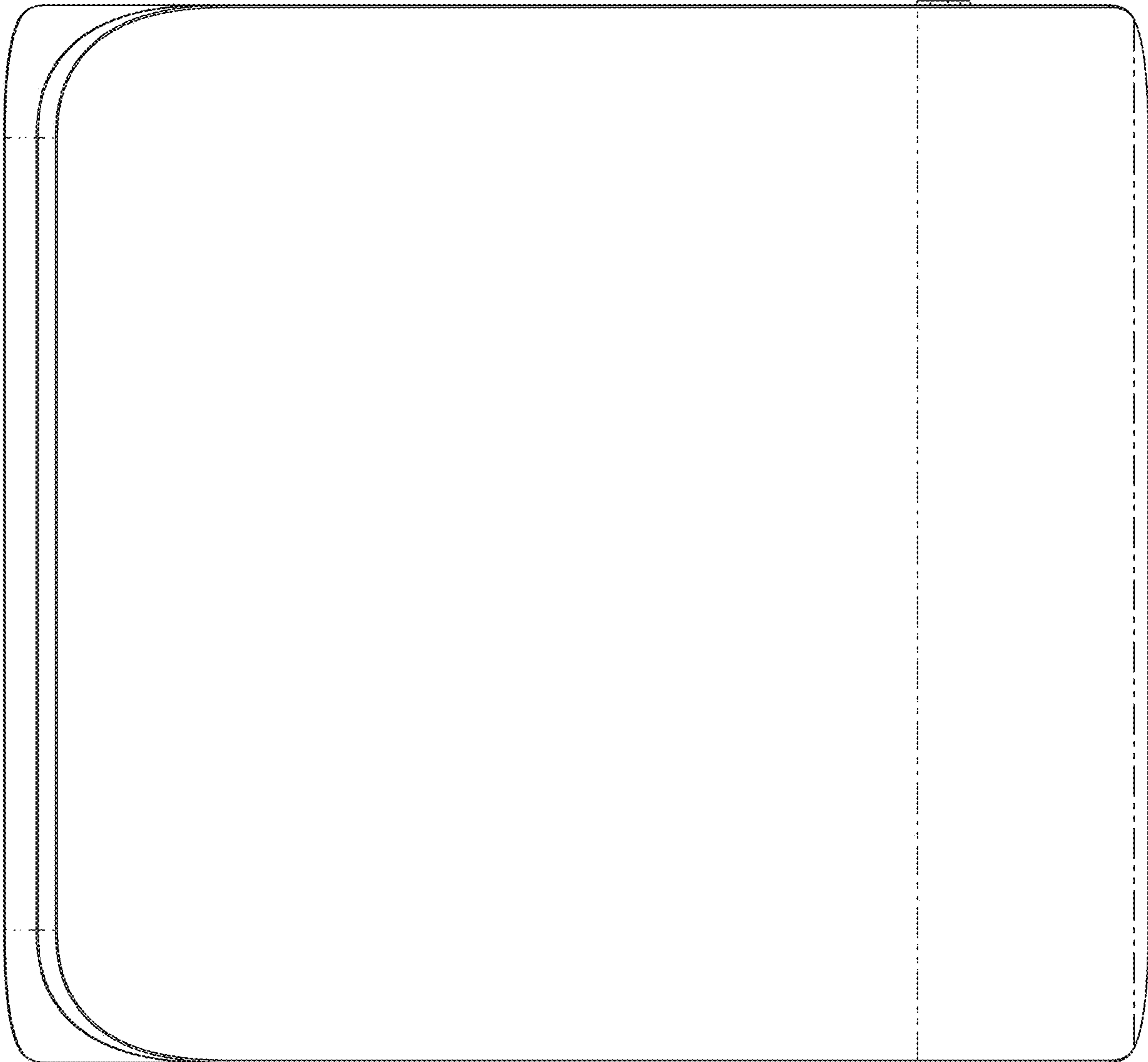


Fig. 3

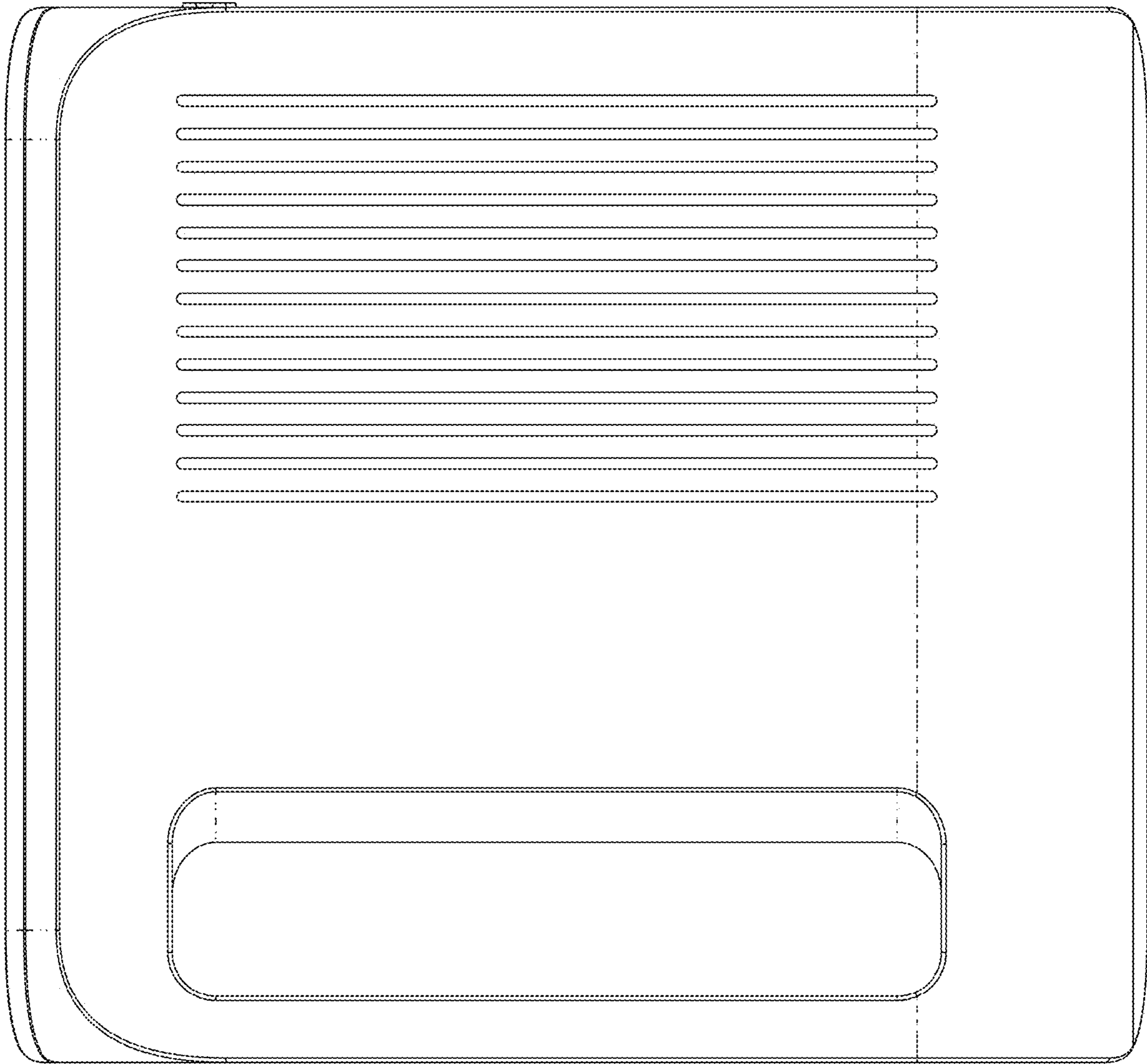


Fig. 4

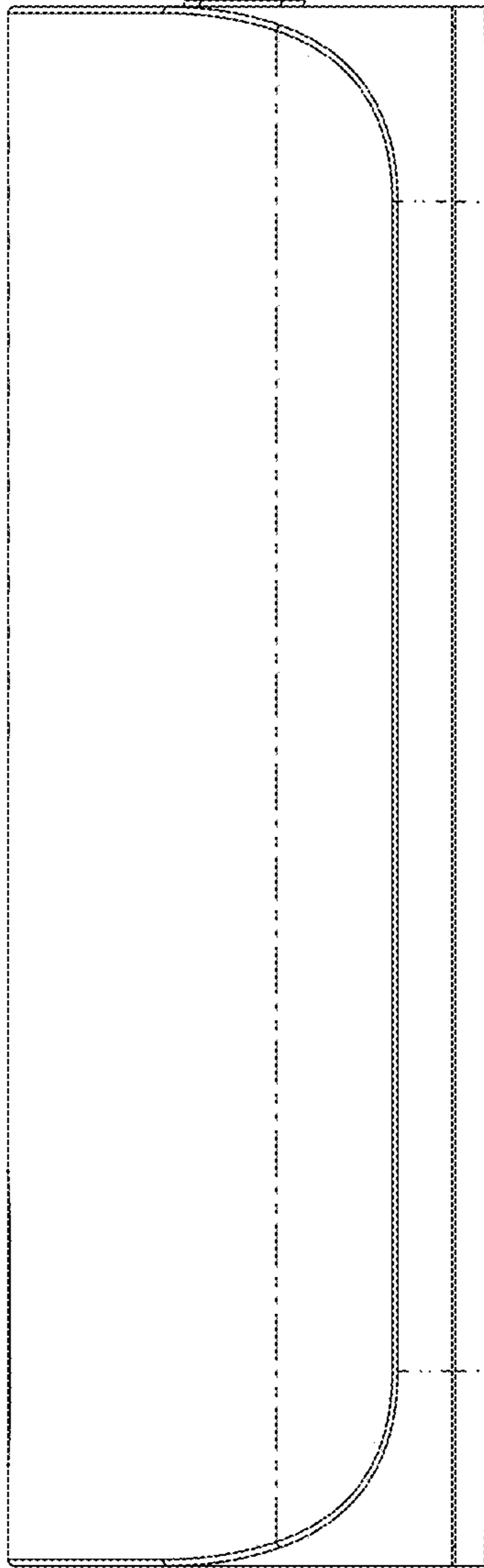


Fig. 5

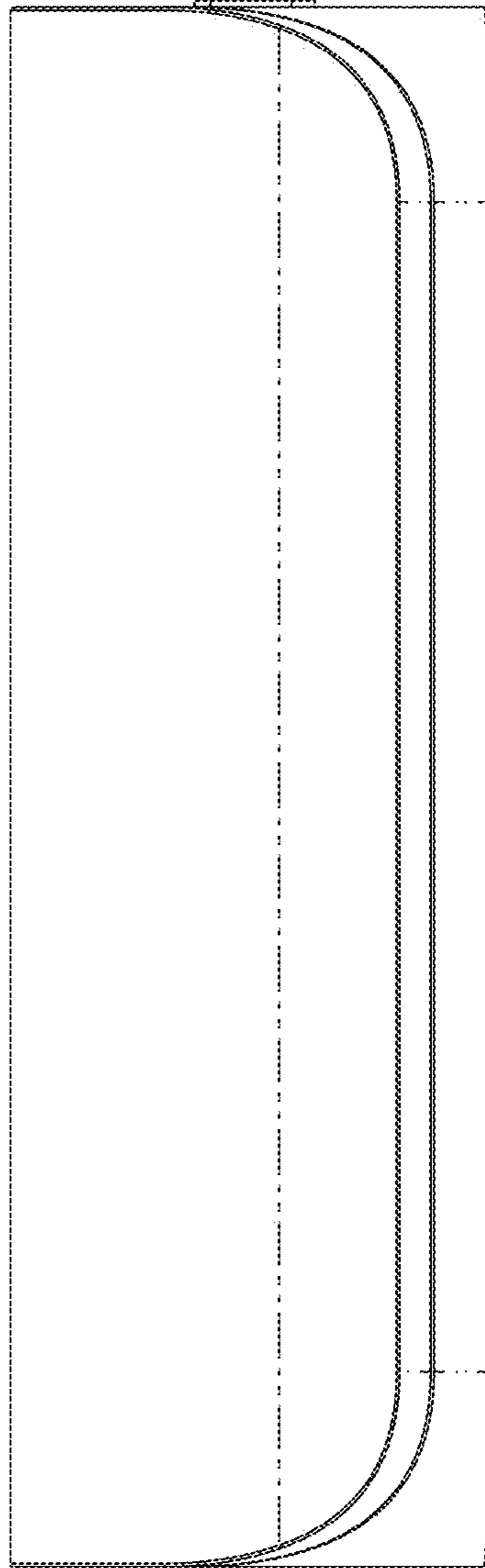


Fig. 6

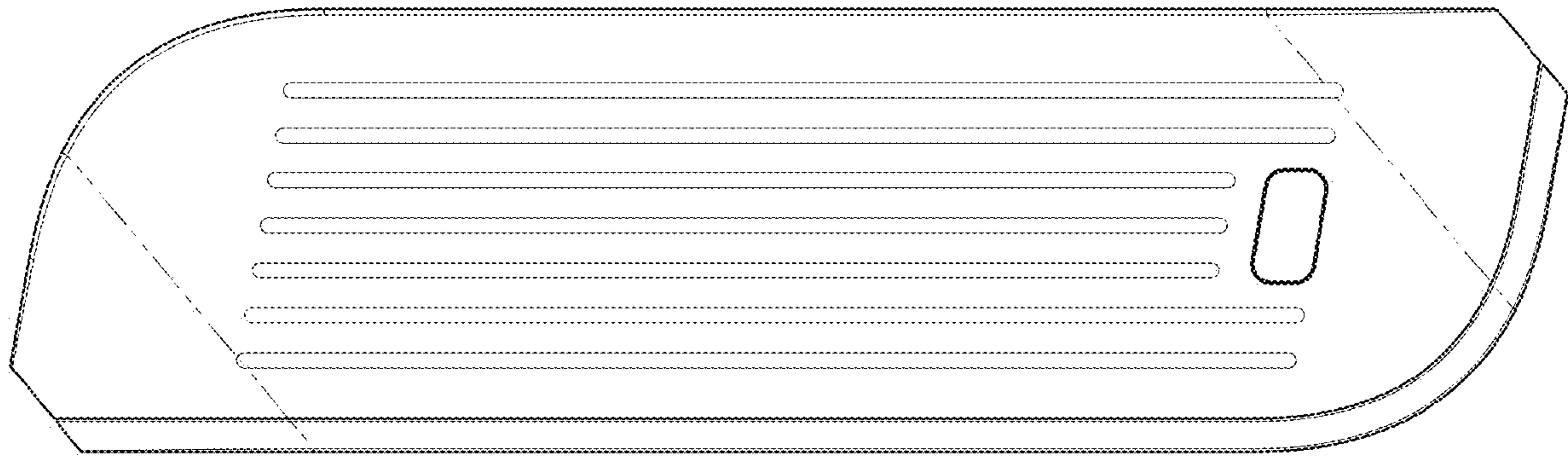


Fig. 7

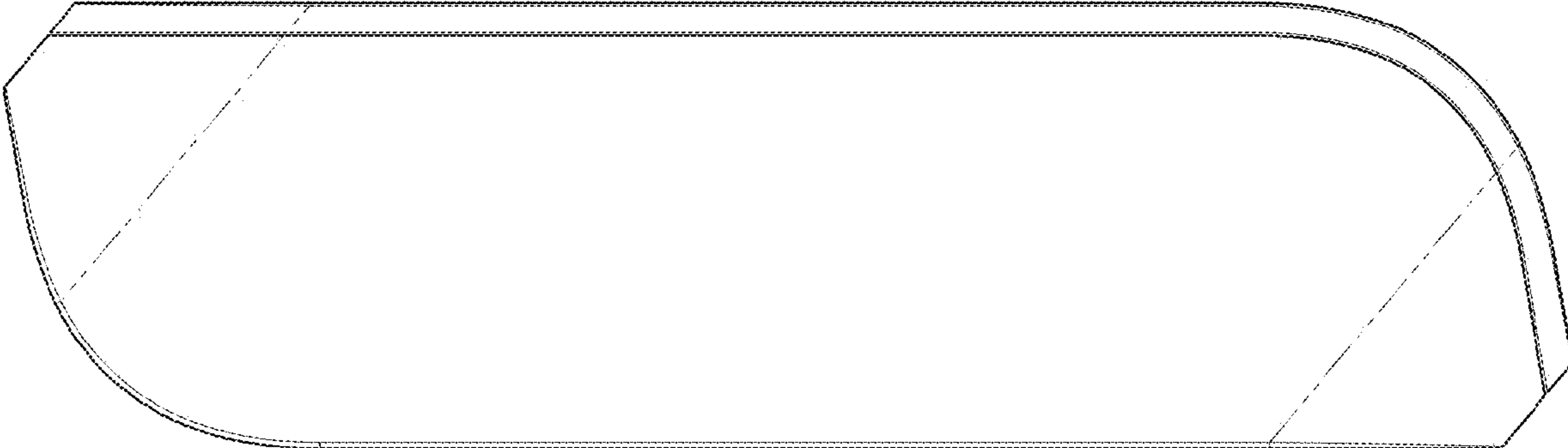


Fig. 8