



US0D1119789S

(12) **United States Design Patent**
McCune

(10) **Patent No.:** **US D1,119,789 S**

(45) **Date of Patent:** **** Mar. 24, 2026**

(54) **POWER STATION**

(71) Applicant: **Alliance Sports Group, L.P.**, Roanoke,
TX (US)

(72) Inventor: **Clark McCune**, Roanoke, TX (US)

(73) Assignee: **Alliance Sports Group, L.P.**, Roanoke,
TX (US)

(**) Term: **15 Years**

(21) Appl. No.: **29/948,499**

(22) Filed: **Jun. 21, 2024**

(51) **LOC (15) Cl.** **13-02**

(52) **U.S. Cl.**
USPC **D13/110; D13/103; D13/107**

(58) **Field of Classification Search**
USPC **D13/103, 107, 108, 110, 122, 124, 152,**
D13/154, 156, 169, 170, 174, 177, 184,
D13/199; D8/358, 359; D24/185, 186
CPC **H02J 7/00041; H02J 7/0042**
See application file for complete search history.

(56) **References Cited**

U.S. PATENT DOCUMENTS

D916,655 S *	4/2021	Fang	D13/103
D940,068 S *	1/2022	Mao	D13/103
D962,165 S *	8/2022	Barr	D13/110
D967,767 S *	10/2022	Jia	D13/110
D971,132 S *	11/2022	Wu	D13/103
D1,005,237 S *	11/2023	Luo	D13/110
D1,032,521 S *	6/2024	Yang	D13/110
D1,050,017 S *	11/2024	Kong	D13/106
D1,059,265 S *	1/2025	Zhang	D13/103
D1,067,175 S *	3/2025	Huang	D13/103

D1,067,862 S *	3/2025	Qin	D13/110
2022/0209283 A1 *	6/2022	Tong	H01M 10/613
2024/0413650 A1 *	12/2024	Li	H02J 7/00

OTHER PUBLICATIONS

Nebo Intrepid 600 Power Station—Youtube, posted on Oct. 23, 2023 [online]. [retrieved on May 10, 2025]. Retrieved from internet. <https://www.youtube.com/watch?v=QLUP3gacyC0> (Year: 2023).*

* cited by examiner

Primary Examiner — Leanne Was-Englehart

Assistant Examiner — Mary Claire Nemeth

(74) *Attorney, Agent, or Firm* — Thorpe North & Western, LLP.; Jed H. Hansen

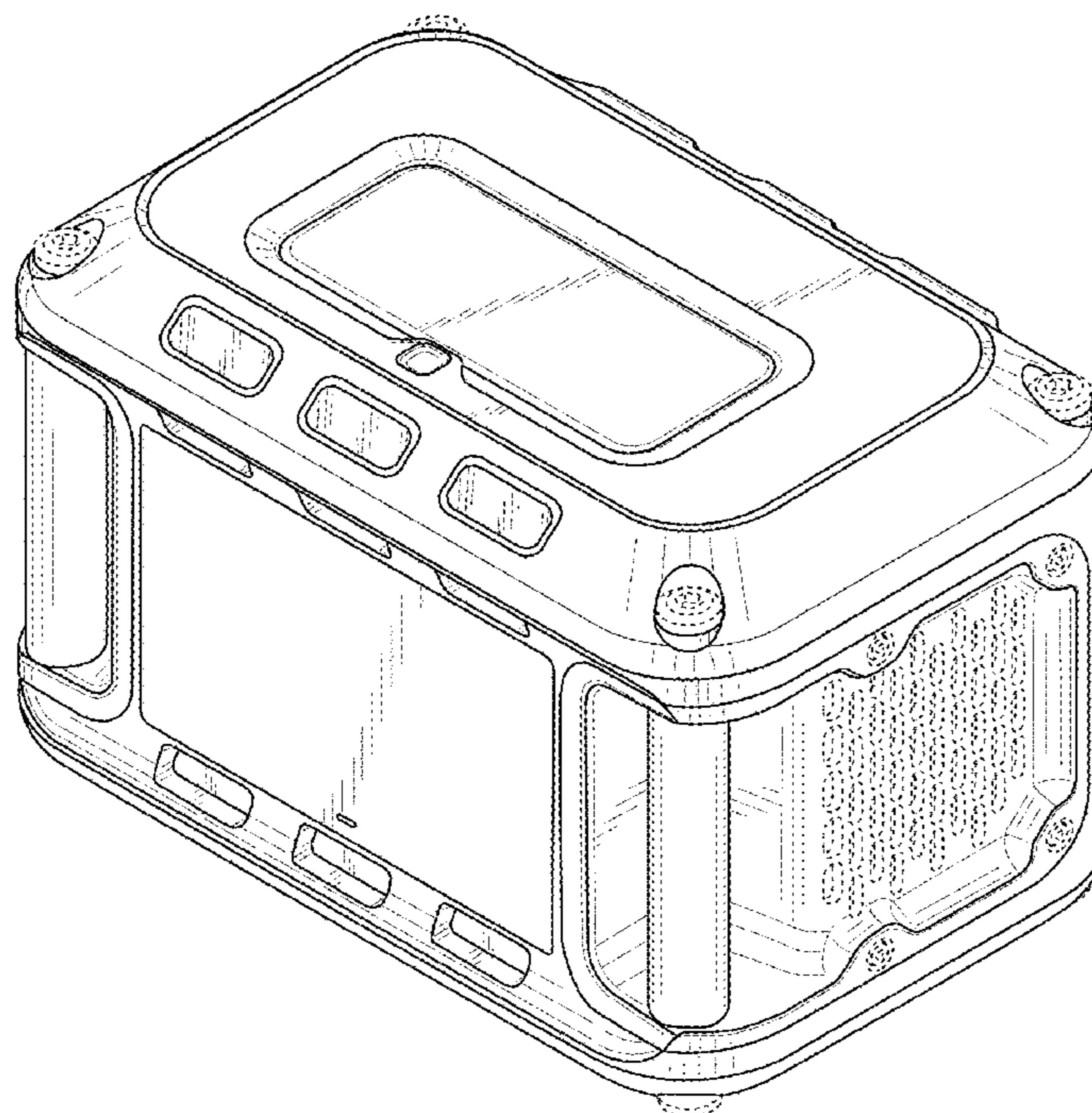
(57) **CLAIM**

The ornamental design for the power station as shown and described herein.

DESCRIPTION

FIG. 1 is a perspective view of the power station in accordance with my invention;
FIG. 2 is front view thereof;
FIG. 3 is a back view thereof;
FIG. 4 is a side view of my invention as shown in FIG. 1;
FIG. 5 is an opposing side view being the mirror image thereof;
FIG. 6 is a top view of the design shown in FIG. 1;
FIG. 7 is a bottom view of the design shown in FIG. 1; and,
FIG. 8 is another perspective view of the power station in accordance with my invention.
The broken lines in the drawings depict portions of the power station that form no part of the claimed design.

1 Claim, 8 Drawing Sheets



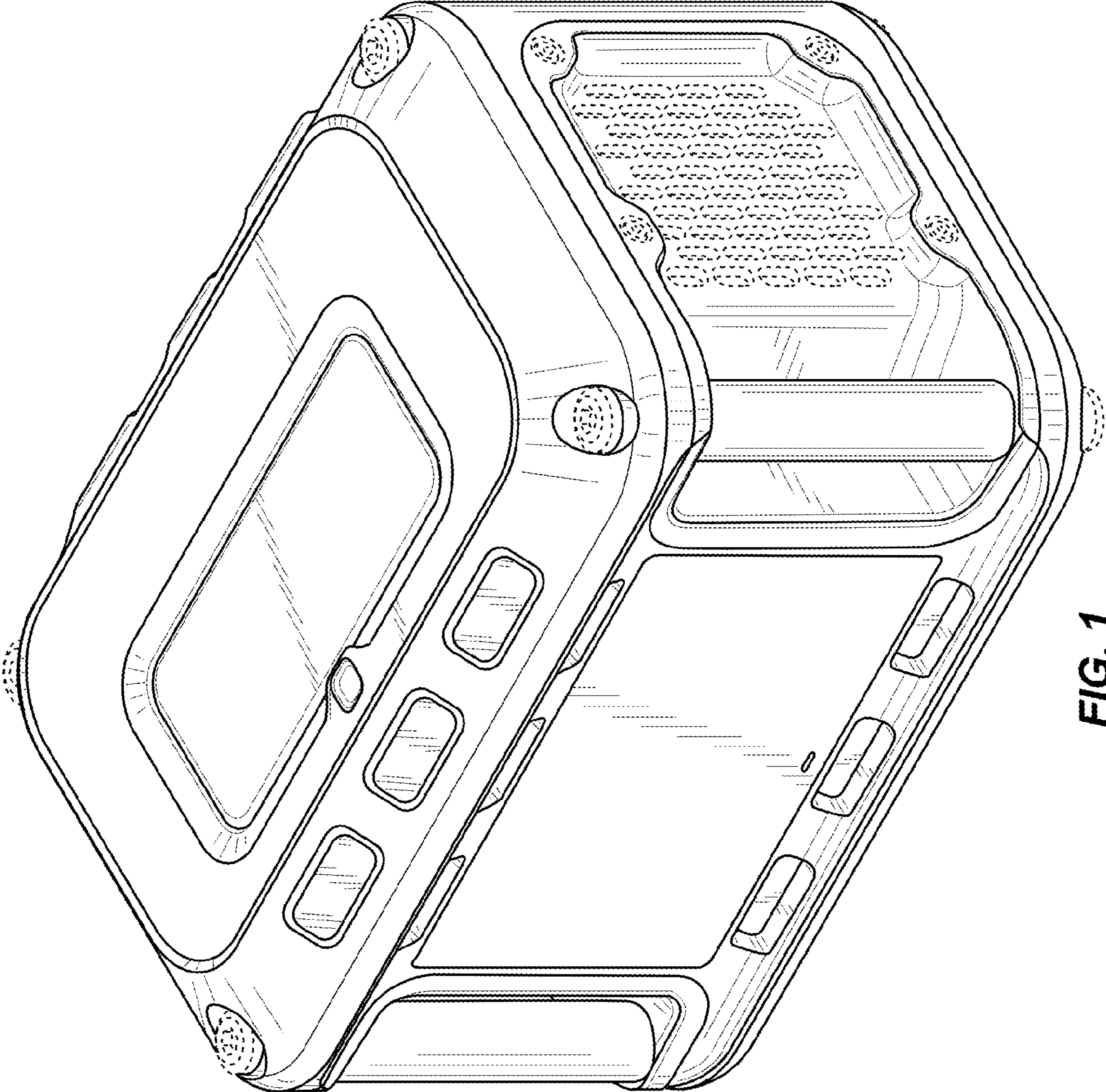


FIG. 1

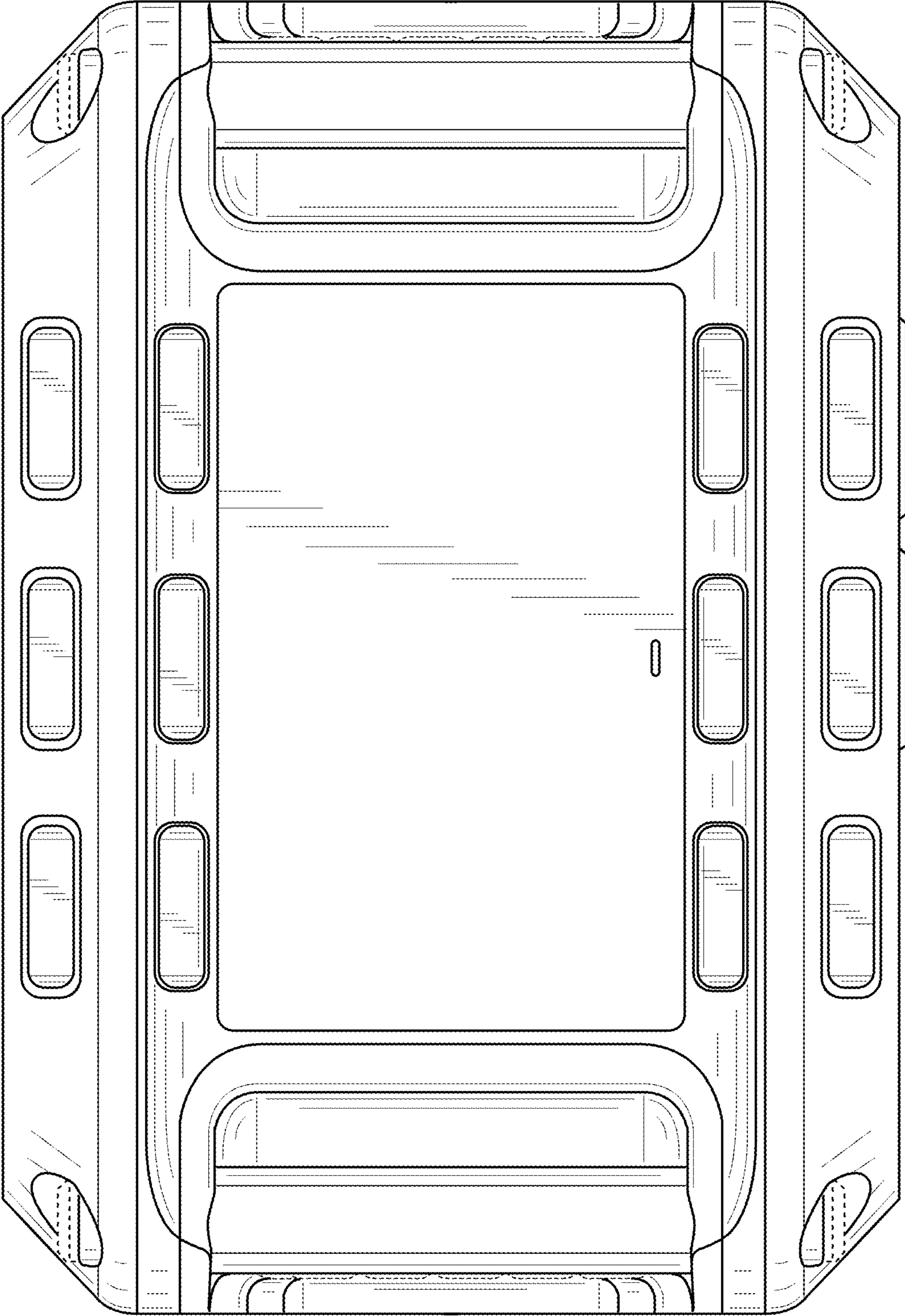


FIG. 2

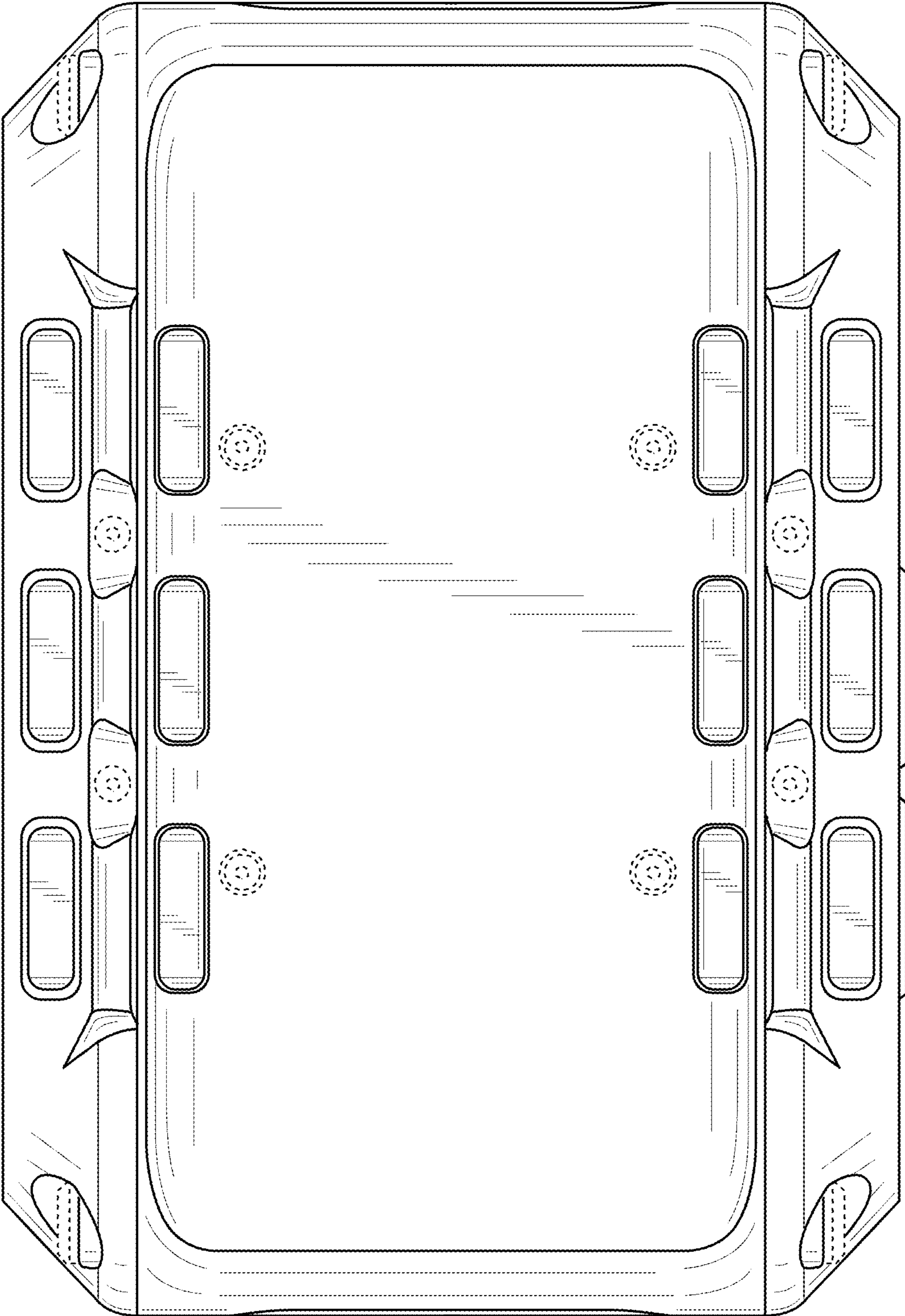


FIG. 3

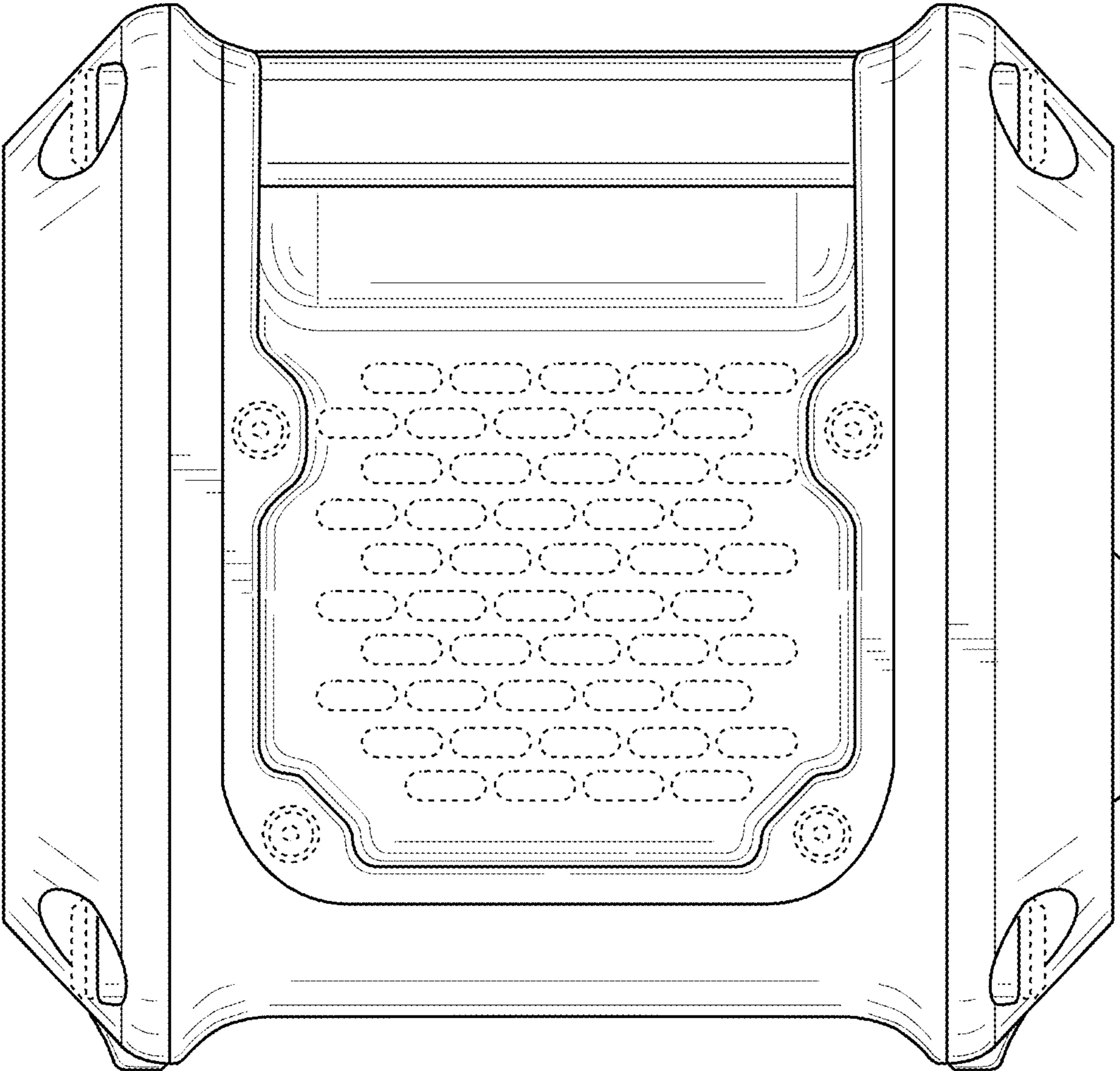


FIG. 4

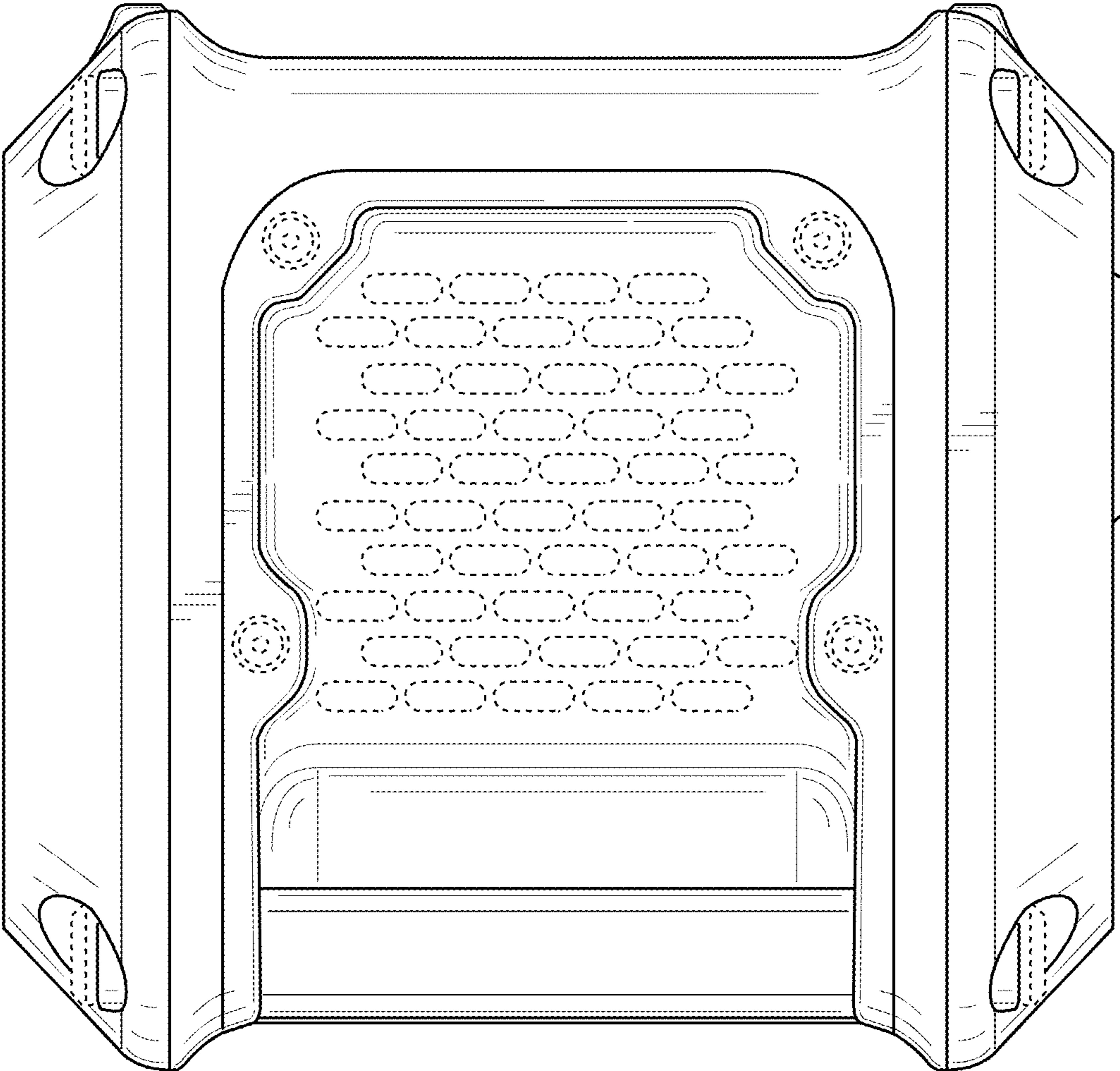


FIG. 5

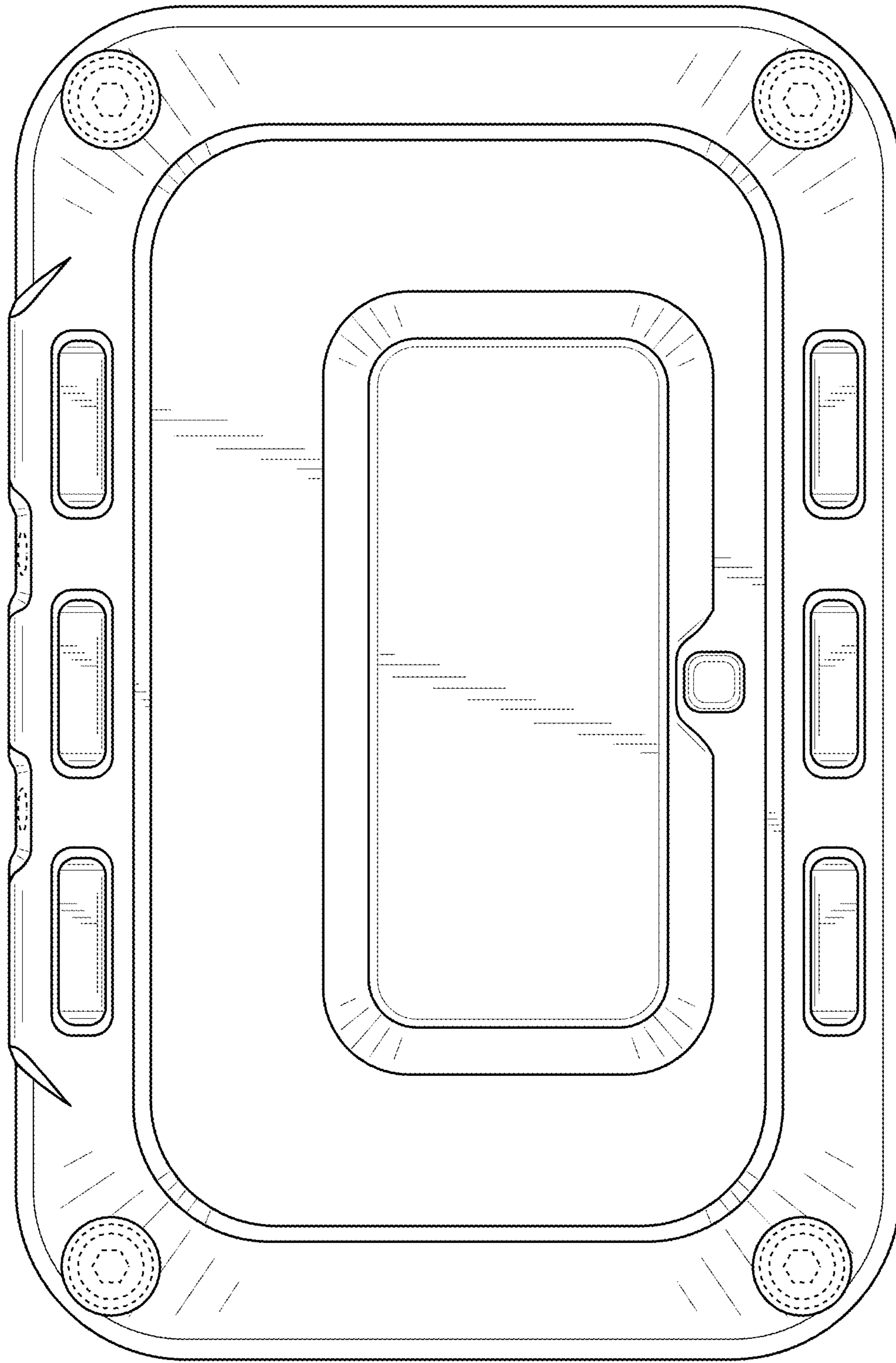


FIG. 6

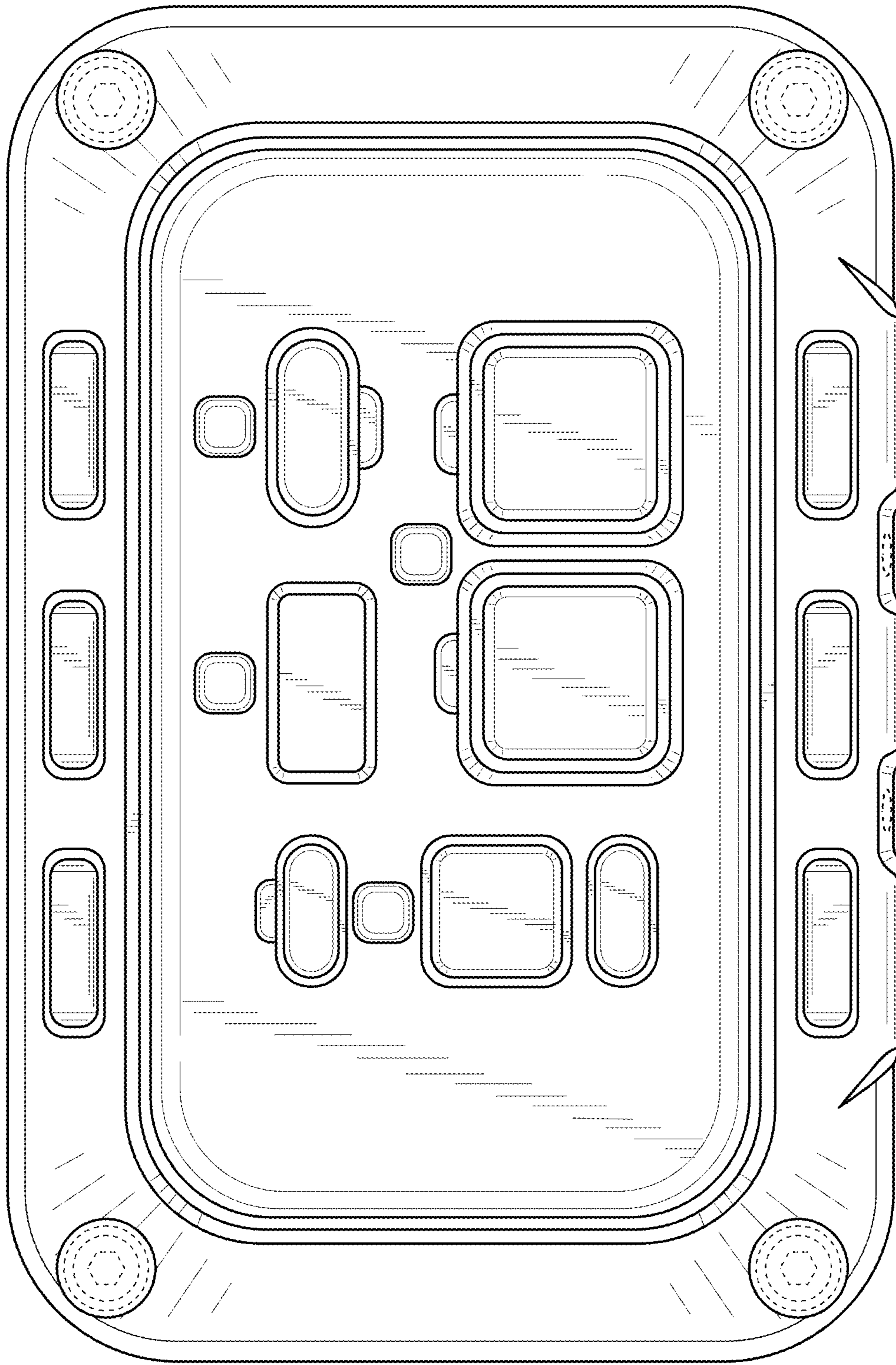


FIG. 7

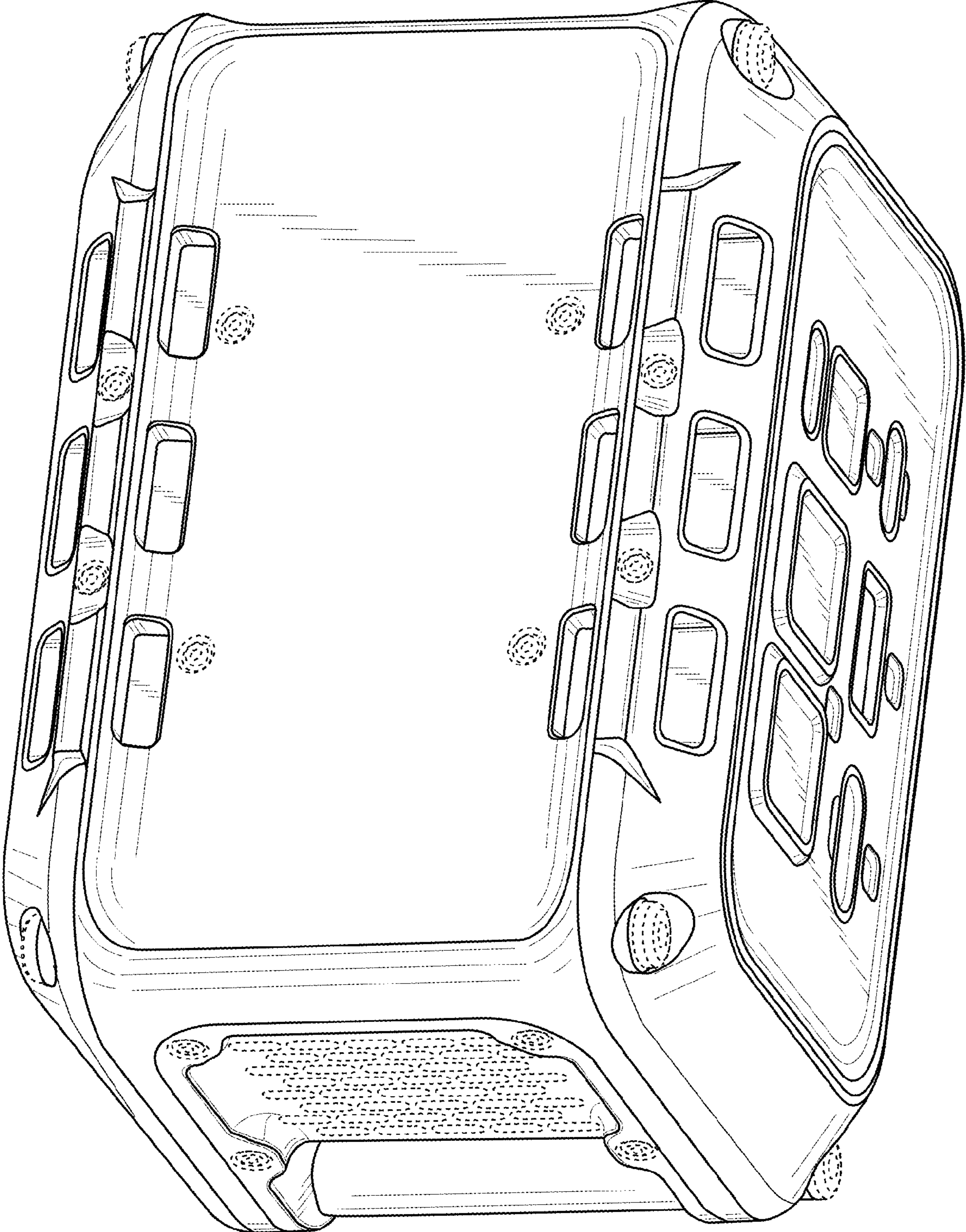


FIG. 8