



US0D1119754S

(12) **United States Design Patent** (10) **Patent No.:** **US D1,119,754 S**  
**Marcucci et al.** (45) **Date of Patent:** **\*\* Mar. 24, 2026**

- (54) **RECHARGEABLE BATTERY**
- (71) Applicant: **Alliance Sports Group, L.P.**, Roanoke, TX (US)
- (72) Inventors: **Todd Lee Marcucci**, Mansfield, TX (US); **Yu Xin**, Ningbo (CN)
- (73) Assignee: **Alliance Sports Group, L.P.**, Roanoke, TX (US)

(\*\*) Term: **15 Years**

(21) Appl. No.: **29/928,607**

(22) Filed: **Feb. 13, 2024**

(51) **LOC (15) Cl.** ..... **13-02**

(52) **U.S. Cl.**  
USPC ..... **D13/103**

(58) **Field of Classification Search**  
USPC ..... D13/103, 107, 108, 118, 119  
CPC ..... H02J 7/0042; H02J 7/0044; H02J 7/0045;  
H02J 7/0047; H02J 7/0048; H02J 7/02;  
H01M 50/10; H01M 50/202; H01M  
50/204; H01M 50/247  
See application file for complete search history.

(56) **References Cited**

**U.S. PATENT DOCUMENTS**

D577,333 S *	9/2008	Daniel	.....	D13/103
9,843,208 B2	12/2017	Inskeep		
D889,401 S *	7/2020	Li	.....	D13/103
D899,355 S *	10/2020	Sommerfeld	.....	D13/103
D929,315 S *	8/2021	Luedke	.....	D13/103
D967,010 S *	10/2022	Liao	.....	D13/103
11,639,789 B2	5/2023	Sharrah et al.		
D993,168 S *	7/2023	Horikoshi	.....	D13/103
D1,019,539 S *	3/2024	Li	.....	D13/103
D1,029,751 S *	6/2024	Chen	.....	D13/103
D1,063,823 S *	2/2025	Wang	.....	D13/103
D1,075,643 S *	5/2025	Zeng	.....	D13/103
D1,076,795 S *	5/2025	Bertken	.....	D13/103
D1,079,607 S *	6/2025	Bertken	.....	D13/103

12,392,459 B2 8/2025 Kaye  
 2011/0068741 A1 3/2011 Liu  
 2013/0343042 A1 12/2013 Windom  
 2018/0259136 A1 9/2018 Horne  
 (Continued)

**FOREIGN PATENT DOCUMENTS**

AU 2013277223 1/2015  
 CN 308226233 \* 9/2023  
 (Continued)

**OTHER PUBLICATIONS**

Bump Rechargeable AAA Batteries, Feb. 16, 2019, Amazon, retrieved Jul. 2, 2025: <https://www.amazon.com/dp/B07NTXYFBV> (Year: 2019).\*

(Continued)

*Primary Examiner* — Michelle E. Wilson  
*Assistant Examiner* — Charles Hwang  
 (74) *Attorney, Agent, or Firm* — Thorpe North & Western, LLP.; Jed H. Hansen

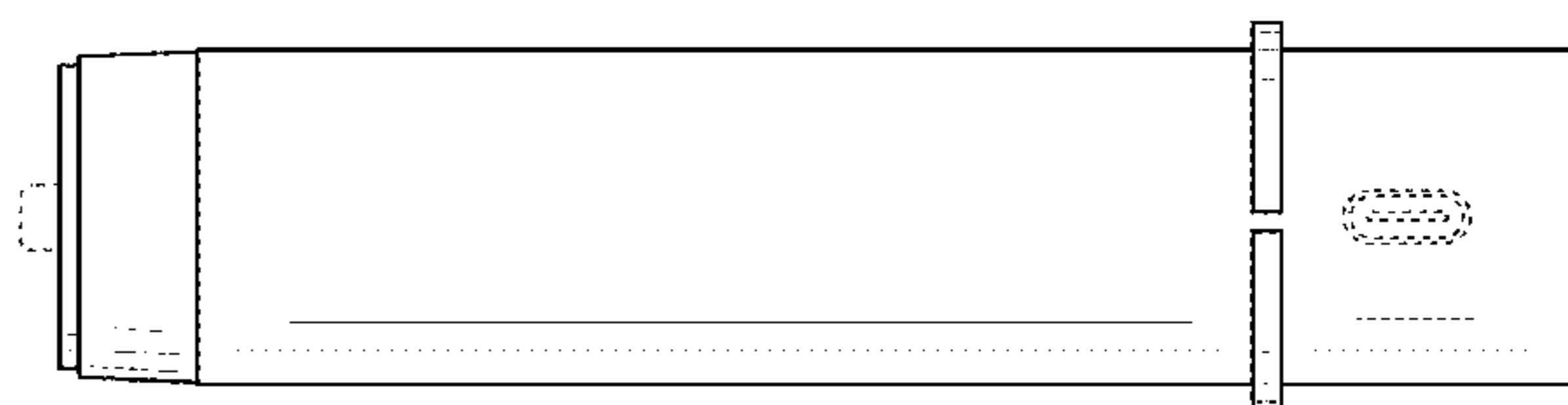
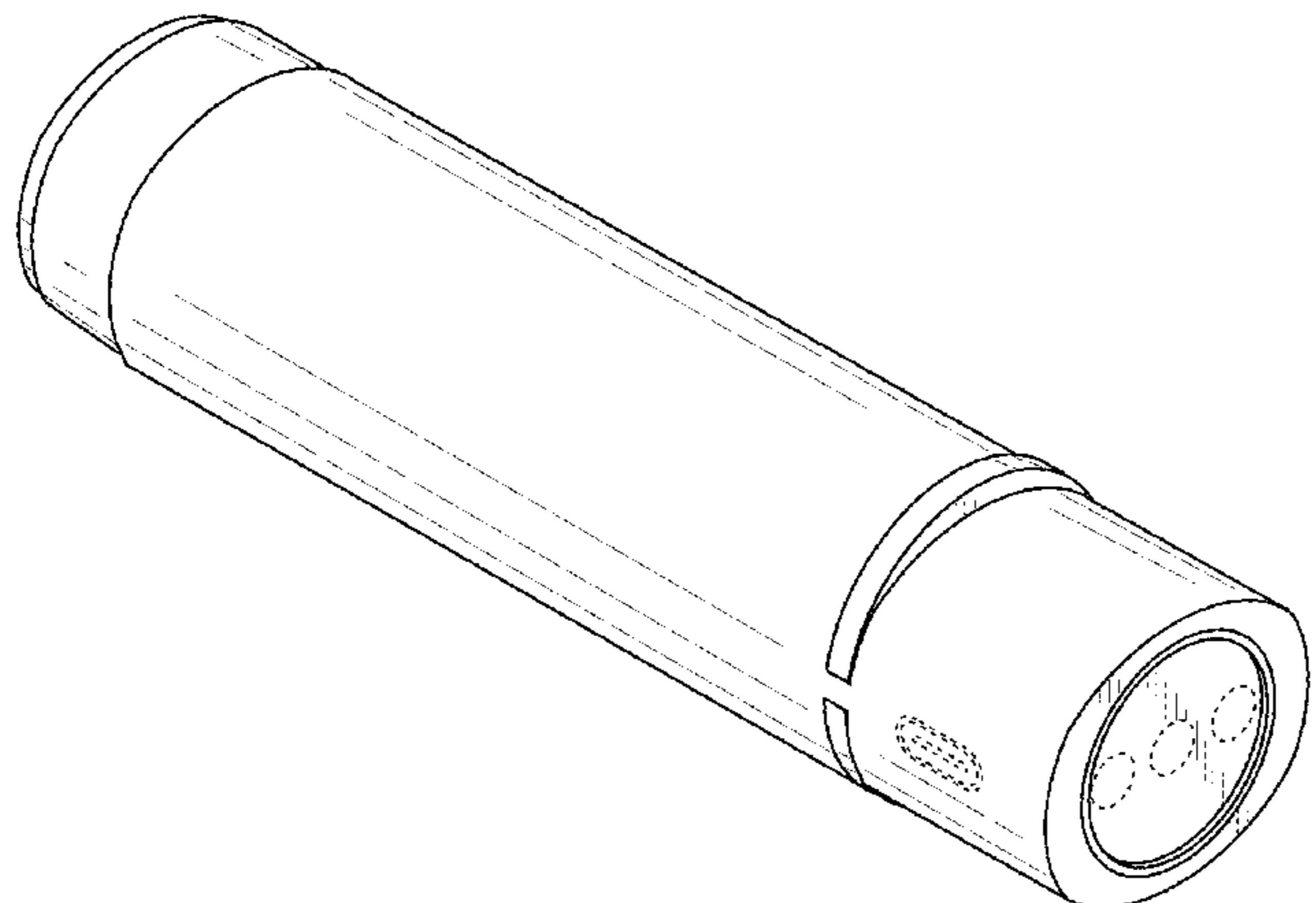
(57) **CLAIM**

The ornamental design for the rechargeable battery as shown and described.

**DESCRIPTION**

FIG. 1 is an elevated, perspective view of the rechargeable battery in accordance with our invention;  
 FIG. 2 is a front view thereof;  
 FIG. 3 is a rear view thereof;  
 FIG. 4 is a right side view thereof;  
 FIG. 5 is a left side view thereof;  
 FIG. 6 is a bottom view thereof; and,  
 FIG. 7 is a top view thereof.  
 The broken lines shown in FIGS. 1-7 are for illustrative purposes only and form no part of the claimed design.

**1 Claim, 2 Drawing Sheets**



(56)

**References Cited**

U.S. PATENT DOCUMENTS

2021/0048182 A1 2/2021 Sharrah  
2022/0221143 A1 7/2022 Sharrah  
2023/0018896 A1\* 1/2023 Cheng ..... H01M 10/44  
2023/0324015 A1 10/2023 Kaye  
2024/0234837 A1\* 7/2024 Wang ..... H01M 50/55  
2025/0035272 A1 1/2025 Kaye

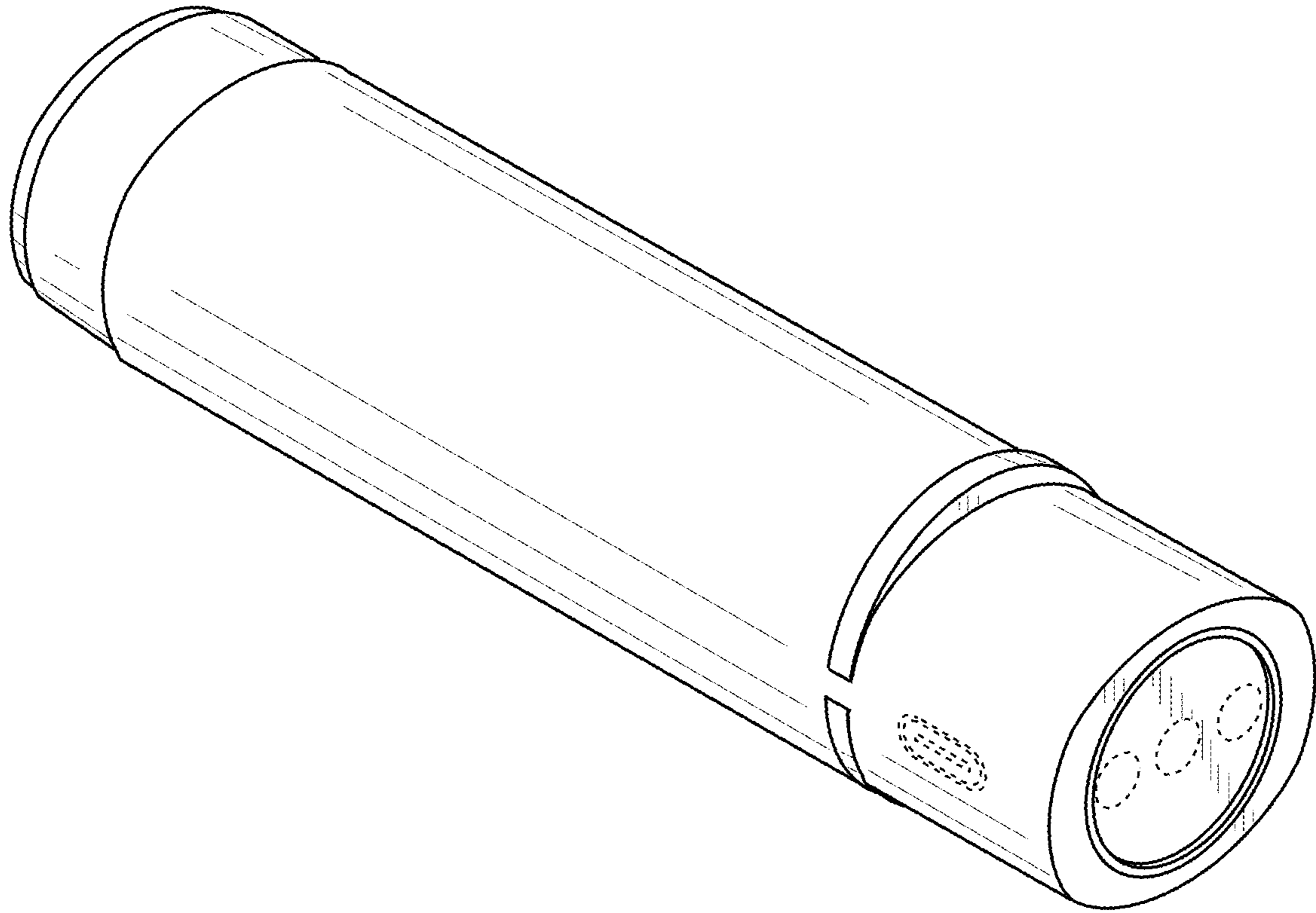
FOREIGN PATENT DOCUMENTS

EM 009019037-0012 \* 5/2022  
WO WO 2022155027 A1 7/2022

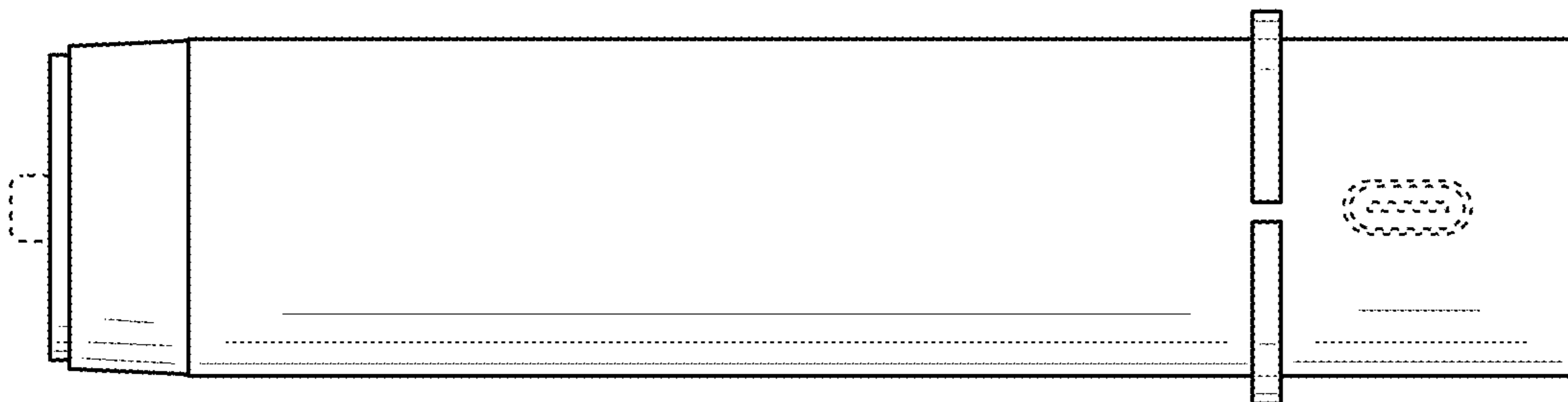
OTHER PUBLICATIONS

U.S. Appl. No. 18/811,546, filed Dec. 3, 2024, Bertken.  
U.S. Appl. No. 18/591,790, filed Sep. 10, 2024, Bertken.  
U.S. Appl. No. 19/009,815, filed May 27, 2025, Bertken.  
U.S. Appl. No. 18/917,346, filed Jan. 14, 2025, Bertken.

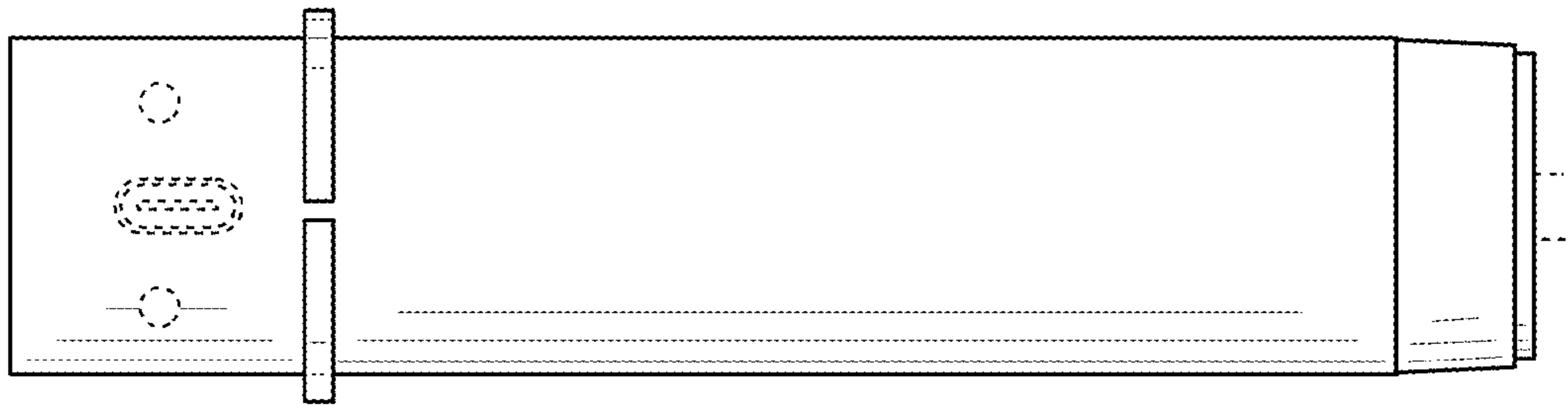
\* cited by examiner



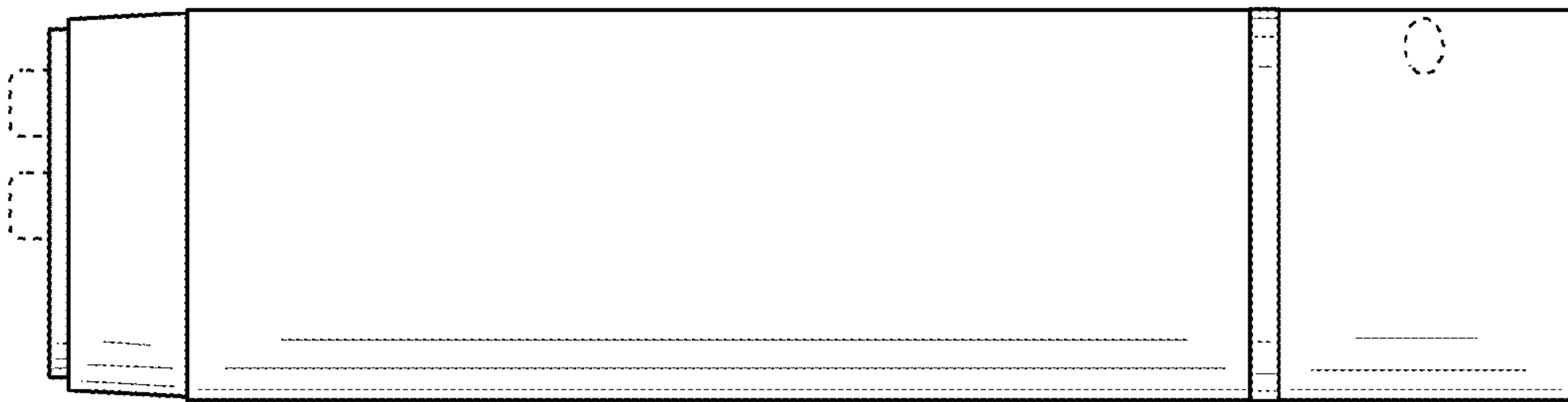
**FIG. 1**



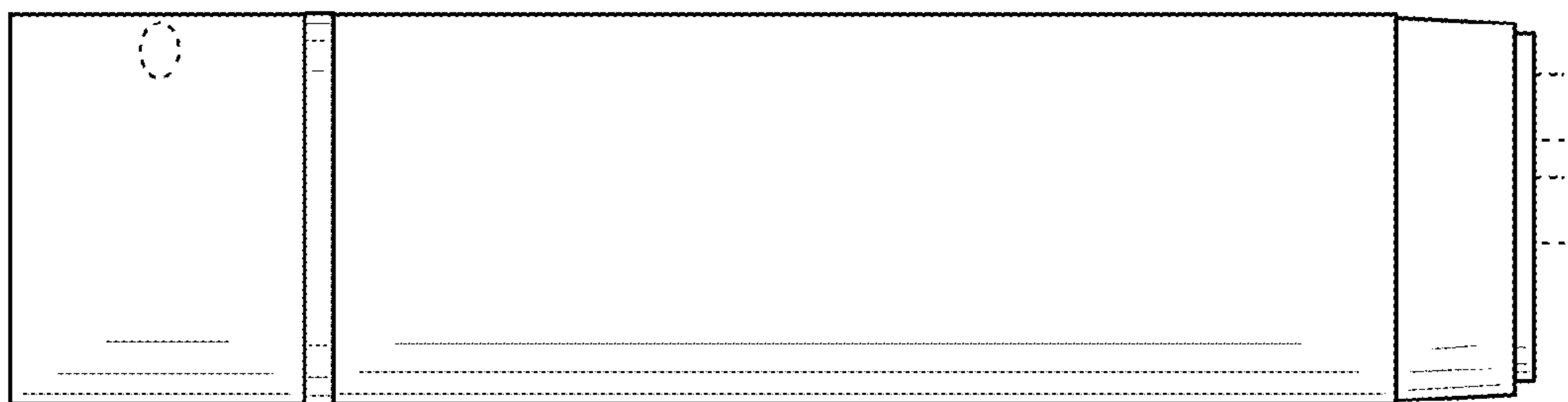
**FIG. 2**



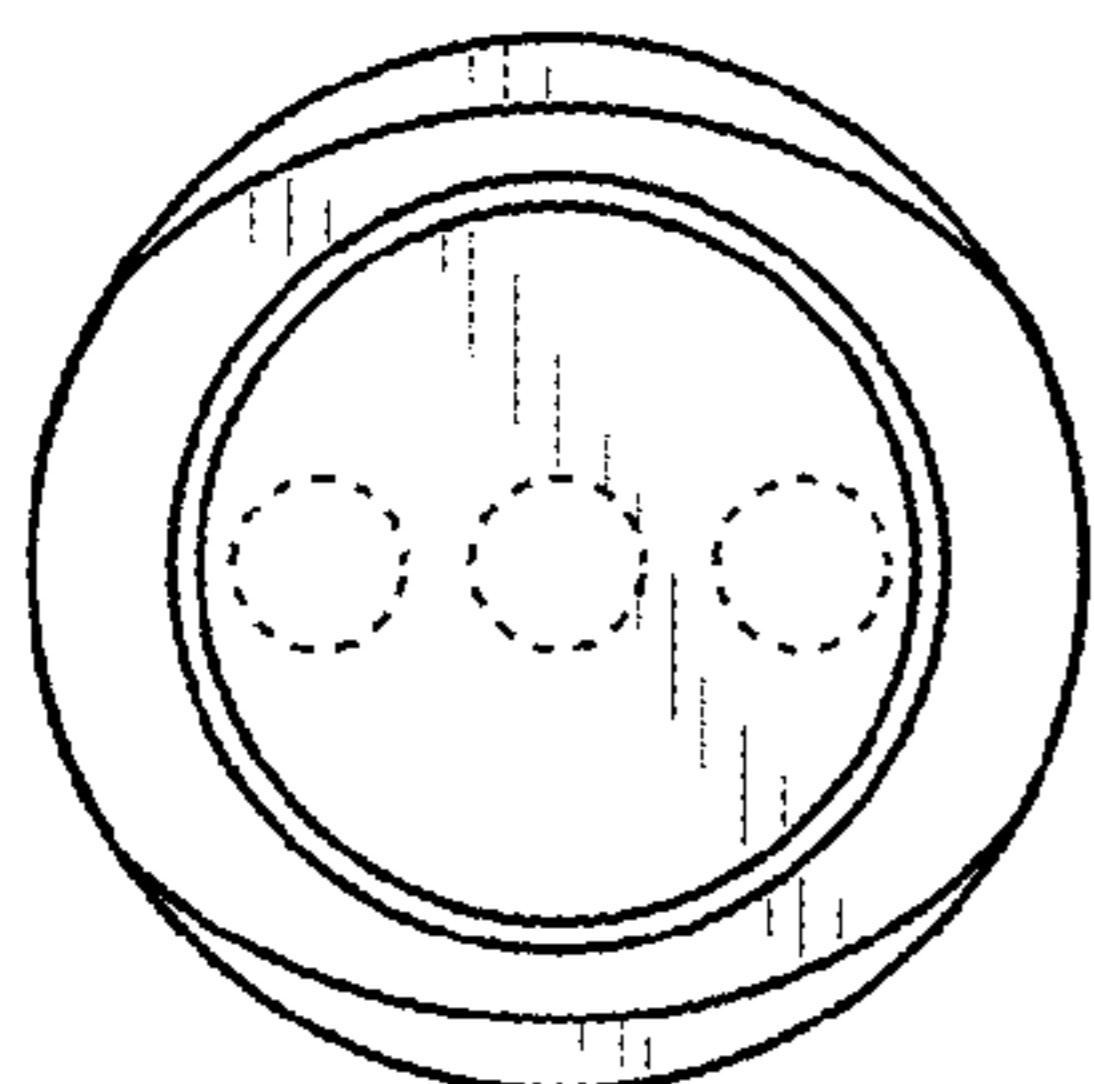
**FIG. 3**



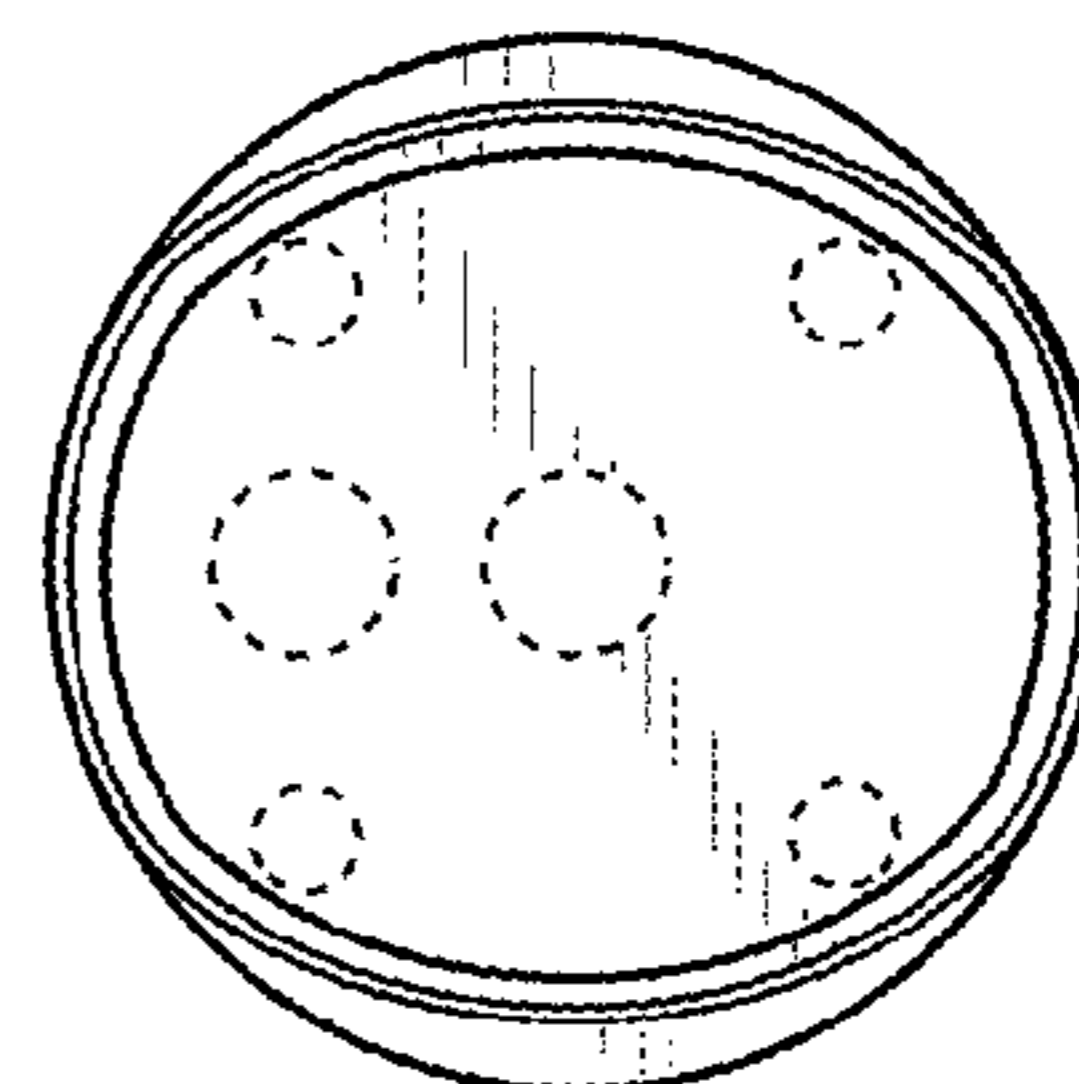
**FIG. 4**



**FIG. 5**



**FIG. 6**



**FIG. 7**