



US0D1119711S

(12) **United States Design Patent** (10) **Patent No.:** **US D1,119,711 S**
Burke (45) **Date of Patent:** **** Mar. 24, 2026**

(54) **FENDER**

(71) Applicant: **Dexter Axle Company LLC**, Elkhart, IN (US)

(72) Inventor: **Glen A Burke**, Mineral Wells, TX (US)

(73) Assignee: **Dexter Axle Company LLC**, Elkhart, IN (US)

(**) Term: **15 Years**

(21) Appl. No.: **29/930,452**

(22) Filed: **Feb. 29, 2024**

(51) **LOC (15) Cl.** **12-16**

(52) **U.S. Cl.**
USPC **D12/184**

(58) **Field of Classification Search**
USPC D12/106, 167, 169, 181, 184, 185
CPC B62D 25/16; B62D 25/161; B62D 25/168;
B60R 19/00; B60R 2019/002
See application file for complete search history.

(56) **References Cited**

U.S. PATENT DOCUMENTS

| | | | |
|--------------|---------|-----------------|---------|
| D316,994 S * | 5/1991 | Anania | D12/185 |
| D381,946 S * | 8/1997 | Delashaw | D12/167 |
| D421,586 S * | 3/2000 | Toms | D12/167 |
| D548,660 S * | 8/2007 | Jenkins | D12/181 |
| D579,835 S * | 11/2008 | Vanaria | D12/184 |
| D579,836 S * | 11/2008 | Vanaria | D12/184 |
| D794,088 S * | 8/2017 | Underhill | D15/28 |
| D904,256 S * | 12/2020 | Yao | D12/184 |
| D914,562 S * | 3/2021 | Kirkman | D12/184 |
| D992,473 S * | 7/2023 | Willing | D12/181 |

FOREIGN PATENT DOCUMENTS

MX F/2024/002220 * 11/2024

OTHER PUBLICATIONS

“Tandem Axle 10×72 Steel Tread Plate Double Broke Trailer Fender,” date unknown, product listing, retrieved Jul. 30, 2025 from <URL:https://thetrailerpartsoutlet.com/products/10x72-steel-tread-plate-double-broke-trailer-fender?variant=40472779948113> (Year: 2025).*

“Trailer Fender, Tandem Axle, Jeep Style, Double Square Broke Form, 9" W×72" L×17" H, 14 Gauge Steel Treadplate, .063 Radius Both Sides,” date unknown, product listing, retrieved Jul. 30, 2025 from <URL:https://dexterindex.com/product/8868> (Year: 2025).*

“Trailer Fender, Tandem Axle, Jeep Style, Square Broke Form, 9" W×68" L×17" H, 16 Gauge Steel, 0.063" Radius Both Sides,” date unknown, product listing, retrieved Jul. 30, 2025 from <URL:https://dexterindex.com/product/11854> (Year: 2025).*

(Continued)

Primary Examiner — Calvin E Vansant

Assistant Examiner — Pia J Marchetti

(74) *Attorney, Agent, or Firm* — McGarry Bair PC

(57) **CLAIM**

The ornamental design for a fender as shown and described.

DESCRIPTION

FIG. 1 is a perspective view of a fender, showing my new design;

FIG. 2 is a front view thereof;

FIG. 3 is a rear view thereof;

FIG. 4 is a bottom view thereof;

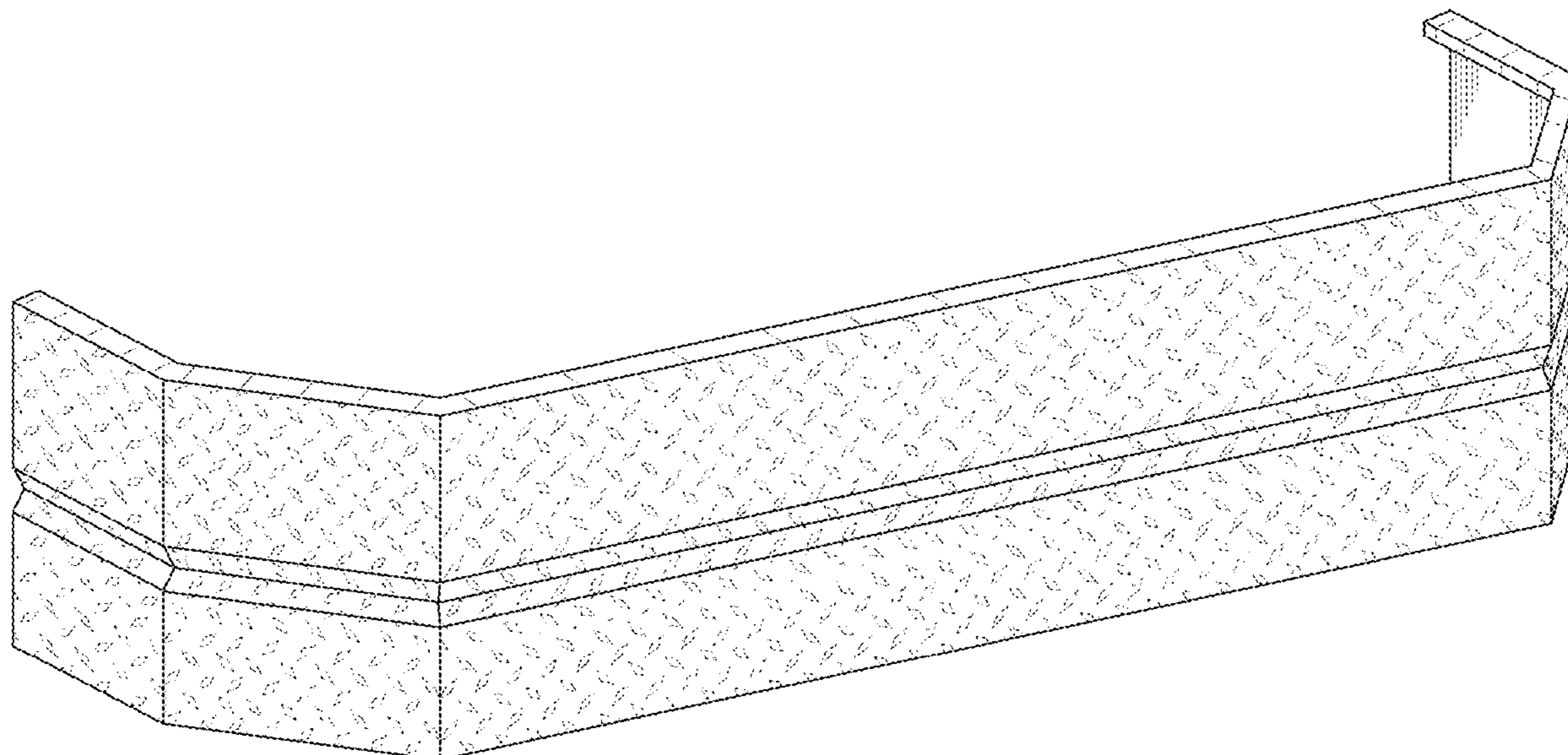
FIG. 5 is a top view thereof;

FIG. 6 is a left side view thereof; and,

FIG. 7 is a right side view thereof.

The broken lines shown in the drawings are for the purposes of illustrating portions of the fender which form no part of the claimed design.

1 Claim, 5 Drawing Sheets



(56)

References Cited

OTHER PUBLICATIONS

“Front Trailer Fenders,” date unknown, product listing, retrieved Aug. 5, 2025 from <URL:https://www.olstaco.com/front-fenders/> (Year: 2025).*

“Custom Rear Bumper,” Mar. 4, 2013, forum post, retrieved Aug. 5, 2025 from <URL:https://www.f150forum.com/f38/custom-rear-bumper-198291/> (Year: 2013).*

“Rear Bumper—Chrome—Diamond Plate Step—1973-96 Ford Truck, 1980-96 Ford Bronco,” date unknown, product listing, retrieved Aug. 5, 2025 from <URL:https://www.dennis-carpenter.com/trucks/body/bumpers/c8tz-17906-a-os-rear-step-bumper-chrome-> (Year: 2025).*

* cited by examiner

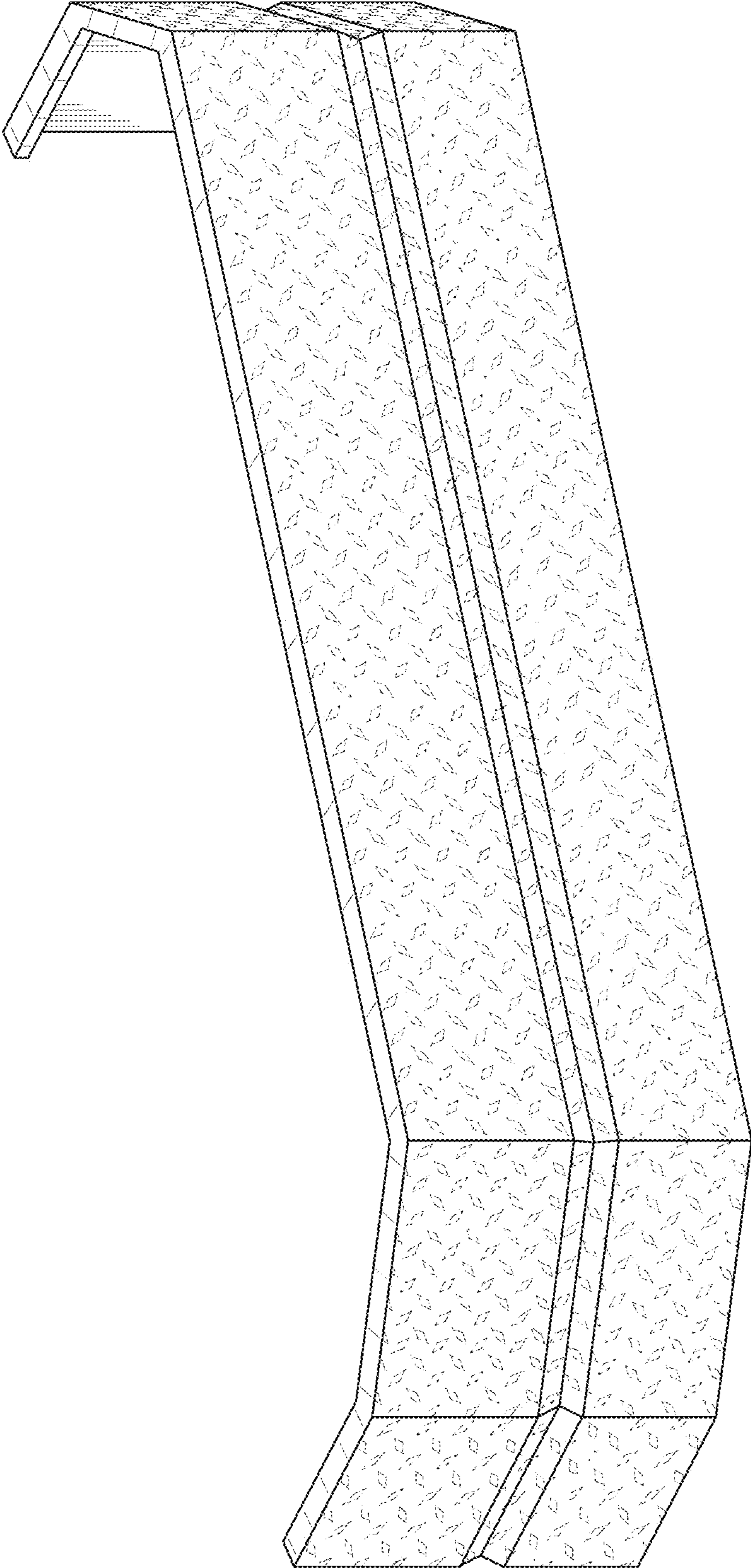


FIG. 1

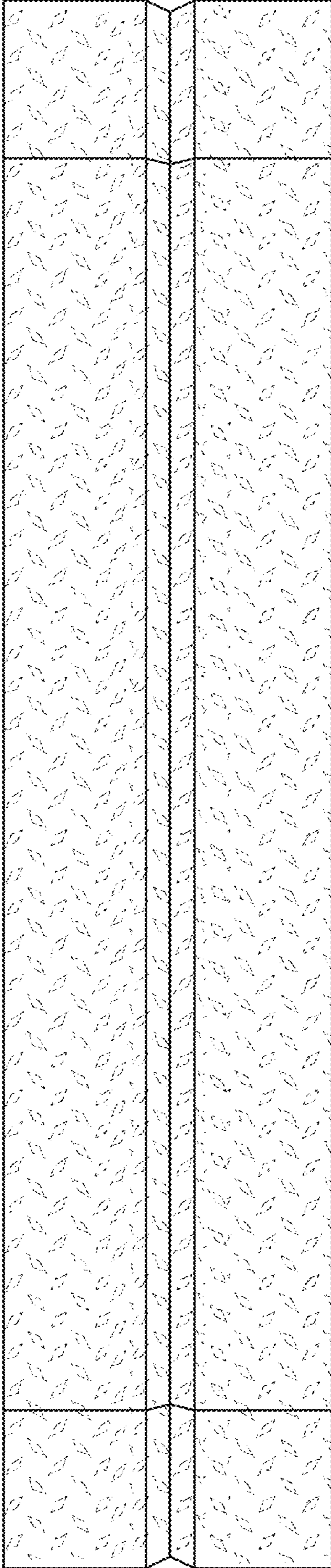


FIG. 2

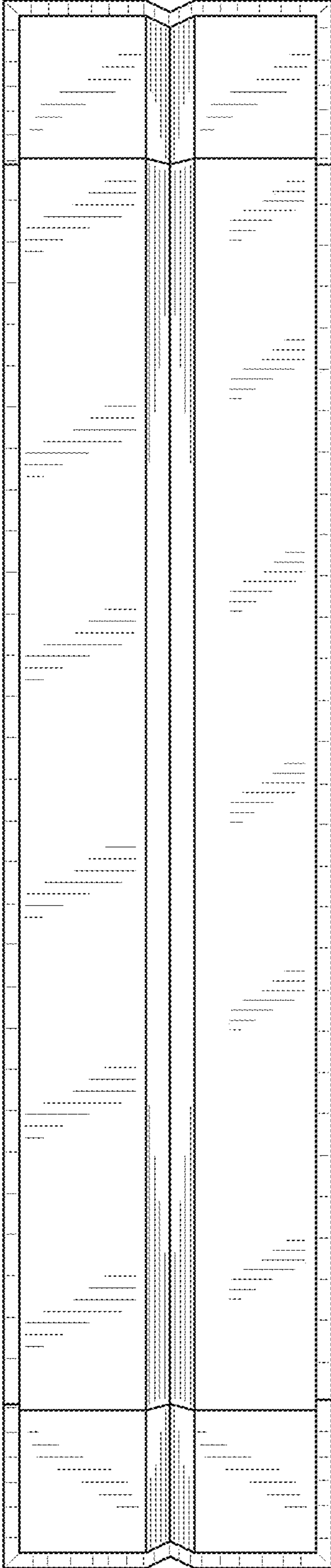


FIG. 3

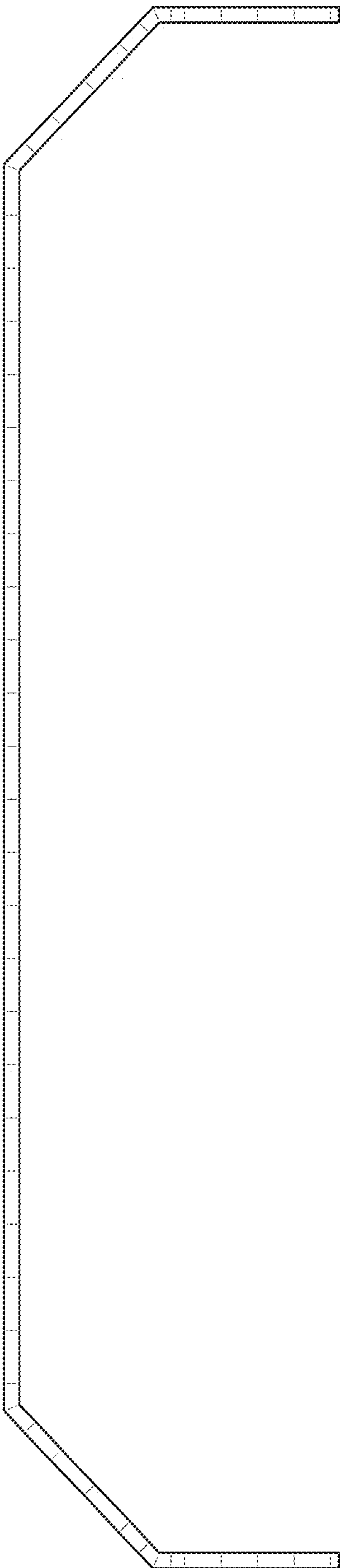


FIG. 4

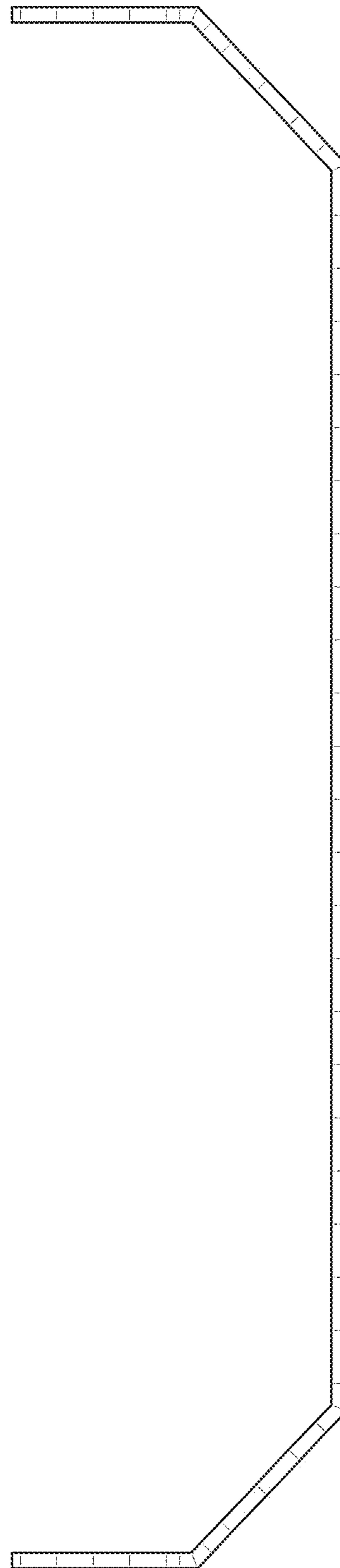


FIG. 5

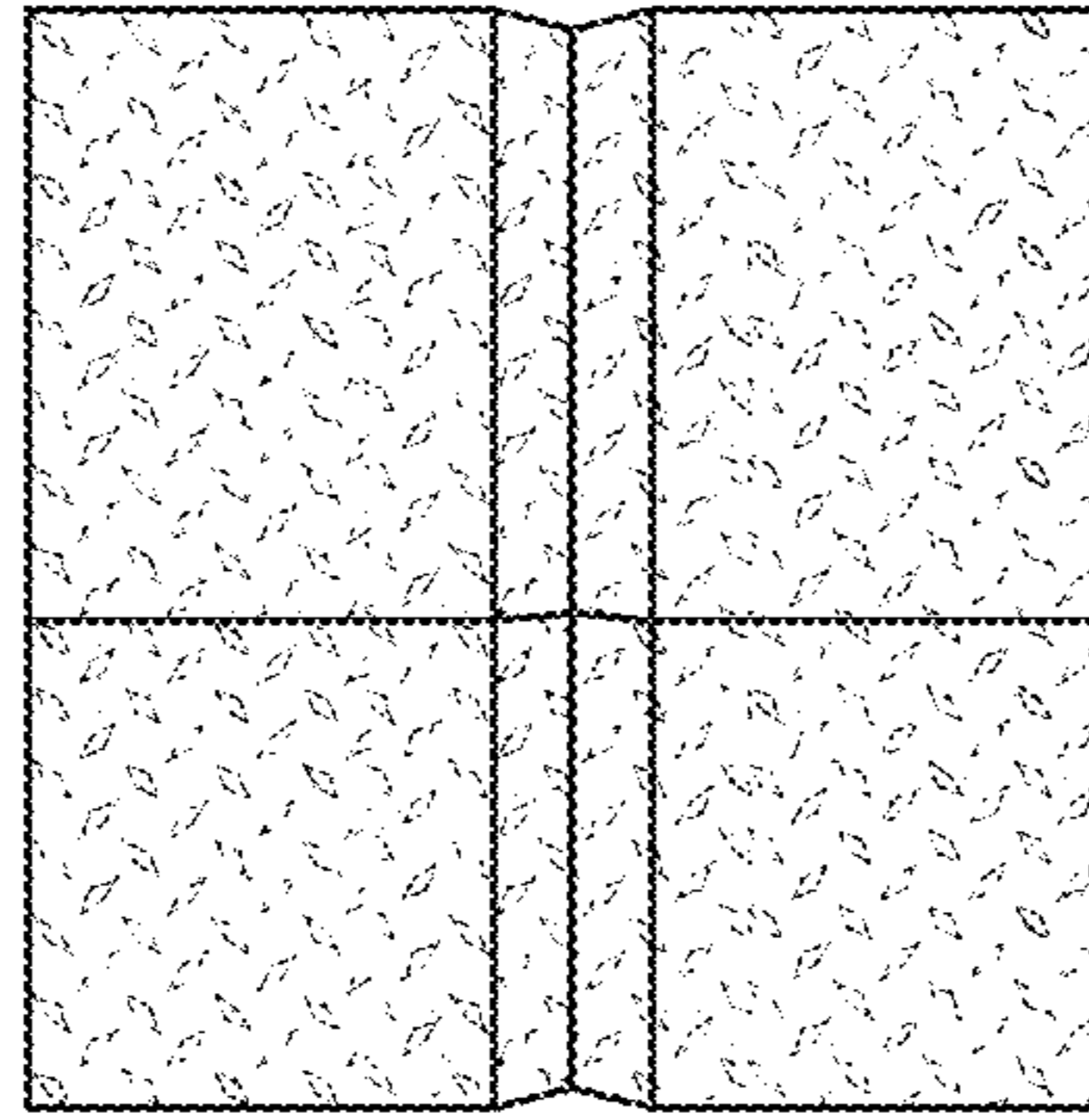


FIG. 6

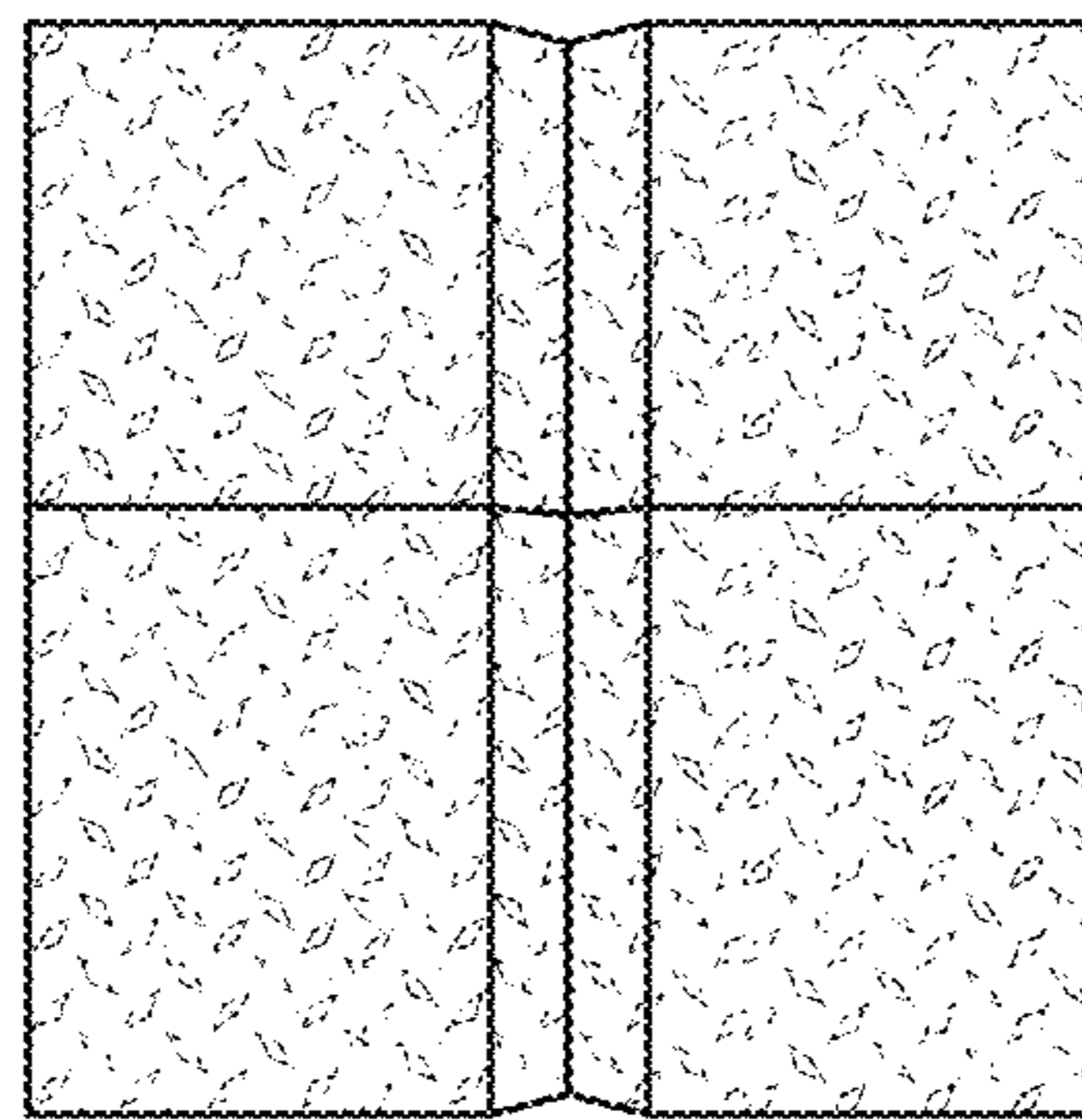


FIG. 7