



US0D1119702S

(12) **United States Design Patent**
House et al.

(10) **Patent No.: US D1,119,702 S**

(45) **Date of Patent: ** Mar. 24, 2026**

(54) **MODEL VEHICLE STEERING BELLCRANK**

FOREIGN PATENT DOCUMENTS

(71) Applicant: **TRAXXAS, L.P.**, McKinney, TX (US)

CN 304874242 11/2018
EM 015032997-0017 9/2023
EM 015032997-0020 9/2023

(72) Inventors: **Noah House**, Sachse, TX (US); **Caleb Hix**, McKinney, TX (US); **Ross Martin**, North Richland Hills, TX (US); **Adam Cole Ewing**, McKinney, TX (US); **Otto Karl Allmendinger**, Rowlett, TX (US)

(Continued)

(73) Assignee: **TRAXXAS, L.P.**, McKinney, TX (US)

(**) Term: **15 Years**

(21) Appl. No.: **29/958,935**

(22) Filed: **Aug. 22, 2024**

(51) **LOC (15) Cl.** **21-01**

(52) **U.S. Cl.**
USPC **D21/561**

(58) **Field of Classification Search**
USPC D21/561, 562, 563, 565, 495, 533
CPC A63H 17/262; A63H 19/18; B60G 7/003
See application file for complete search history.

OTHER PUBLICATIONS

Atomik Alloy Steering Bellcrank Assembly | Replacement for Traxxas X-Maxx Alloy Steering Bellcrank Assembly Part 7746 | Red, Amazon Website, Earliest Comment Date: Jun. 14, 2019 [Website Visited Sep. 27, 2024] Available on the Internet, URL: <https://www.amazon.com/dp/B078B7KYH5> (Year: 2019).

(Continued)

Primary Examiner — Michael A. Pratt

(74) *Attorney, Agent, or Firm* — Daryl R. Wright; Greg Carr

(57) **CLAIM**

The ornamental design for a model vehicle steering bellcrank as shown and described.

DESCRIPTION

FIG. 1 is an upper, left, rear perspective view of a model vehicle steering bellcrank showing our new design; FIG. 2 is an upper, right, front perspective view thereof; FIG. 3 is a lower, right, front perspective view thereof; FIG. 4 is a lower, left, rear perspective view thereof; FIG. 5 is a right-side elevation view thereof; FIG. 6 is a left-side elevation view thereof; FIG. 7 is an upper plan view thereof; FIG. 8 is a lower plan view thereof; FIG. 9 is a front elevation view thereof; and, FIG. 10 is a rear elevation view of the model vehicle steering bellcrank.

In the drawings, the broken lines illustrate portions of the model vehicle steering bellcrank that form no part of the claimed design.

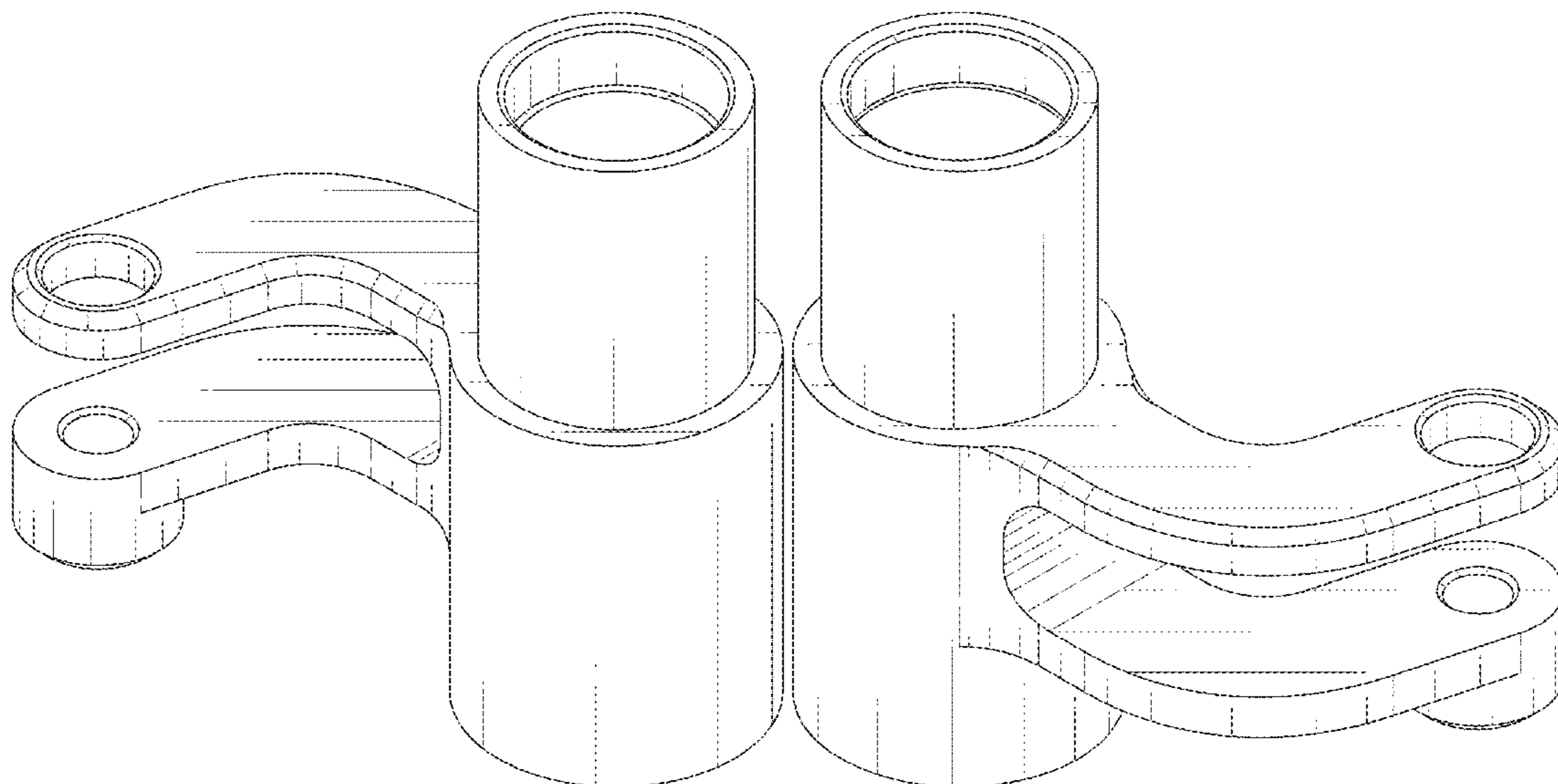
(56) **References Cited**

U.S. PATENT DOCUMENTS

D304,472 S	11/1989	Poulsen	
D304,473 S	11/1989	Poulsen	
9,885,314 B2	2/2018	Lumbab	
D880,279 S	4/2020	Marchesan	
D1,053,277 S *	12/2024	Poteet	D21/562
D1,056,074 S *	12/2024	Poteet	D21/562
D1,058,702 S *	1/2025	Poteet	D21/562
D1,074,847 S *	5/2025	House	D12/159
D1,074,849 S *	5/2025	Hix	D12/159
D1,074,850 S *	5/2025	Hix	D12/159
D1,079,835 S *	6/2025	Poteet	D21/562
D1,080,757 S *	6/2025	Poteet	D21/562

(Continued)

1 Claim, 7 Drawing Sheets



(56)

References Cited

U.S. PATENT DOCUMENTS

D1,080,758 S * 6/2025 Poteet D21/562
D1,081,841 S * 7/2025 Poteet D21/562

FOREIGN PATENT DOCUMENTS

GB 6007829 2/2017
GB 6307603 9/2023
GB 6307608 9/2023
JP D1124643 10/2001

OTHER PUBLICATIONS

Aluminum Bellcrank Assembly, Traxxas Website, No Available Date [Website Visited Sep. 27, 2024] Available on the Internet, URL: <https://traxxas.com/products/parts/7843-GRAY> (Year: 2024).
Hot Racing Aluminum Servo Saver Bellcrank, Walmart Website, Earliest Comment Date: Aug. 16, 2022 [Website Visited Oct. 16,

2024] Available on the Internet, URL: <https://www.walmart.com/ip/514286383> (Year: 2022).

RCLIONS Aluminum RC Servo Saver Bellcrank Steering Assembly for 1/5th Scale Trx X-Maxx Rc Truck Car, Amazon Website, No. Available Date [Website Visited Oct. 16, 2024] Available on the Internet, URL: <https://www.amazon.com/dp/B0D7Q1K6F9> (Year: 2024).

RC Upgrades Part Steering Bellcranks for 1/10 WideMaxx Maxx, Amazon Website, Earliest Comment Date: Aug. 19, 2023 [Website Visited Oct. 18, 2024] Available on the Internet, URL: <https://www.amazon.com/dp/B0BBN82FR3/> (Year: 2023).

RCMYou Alloy Steering Bellcranks, Amazon Website, Earliest Comment Date: Jan. 18, 2024 [Website Visited Oct. 18, 2024] Available on the Internet, URL: <https://www.amazon.com/dp/BOCPPS8MDX/> (Year: 2024).

Traxxas 7843 Steering Bellcranks, Amazon Website, No Available Date [Website Visited Oct. 18, 2024] Available on the Internet, URL: <https://www.amazon.com/dp/B0C6C2NJPT> (Year: 2024).

* cited by examiner

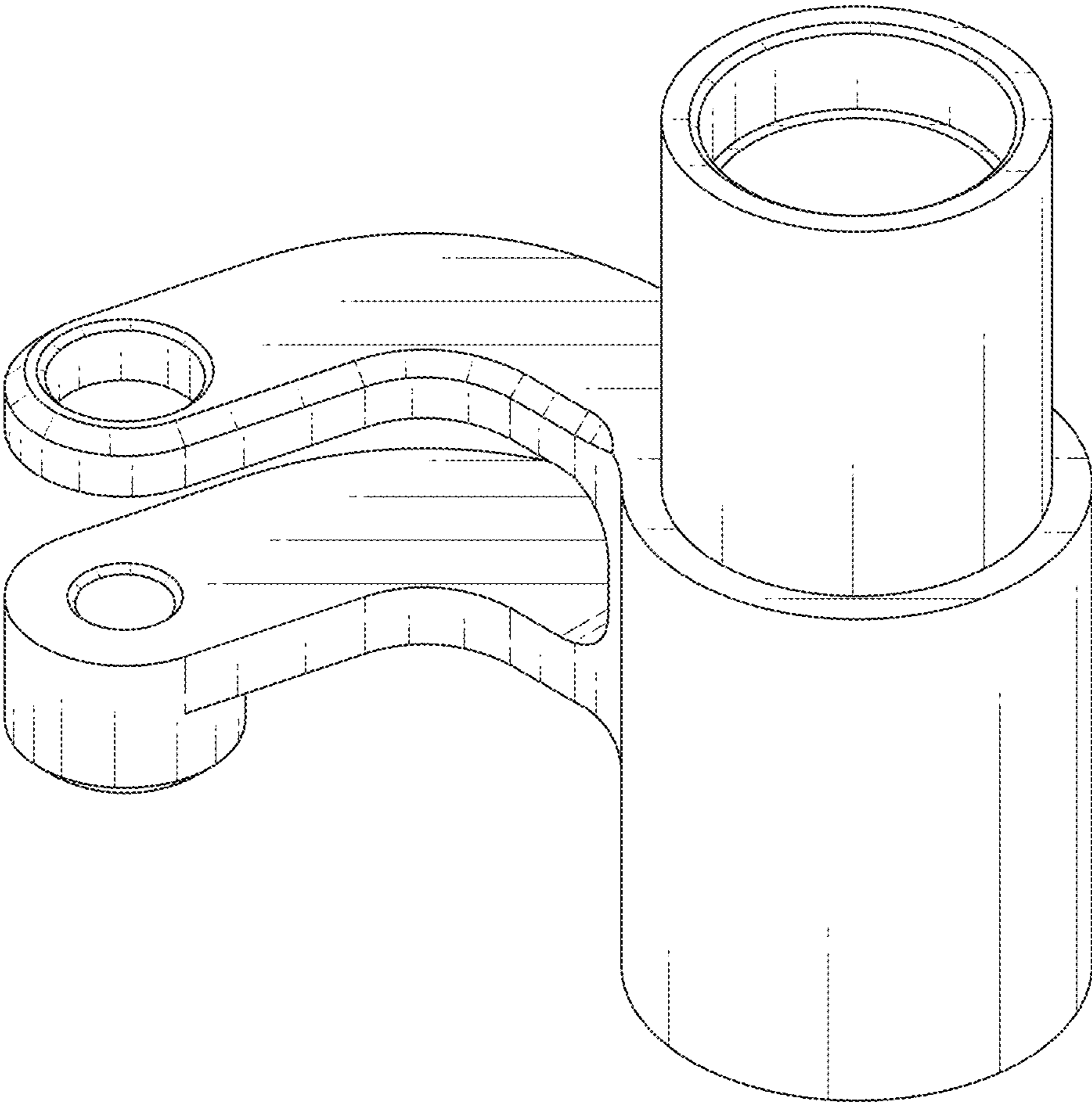


FIG. 1

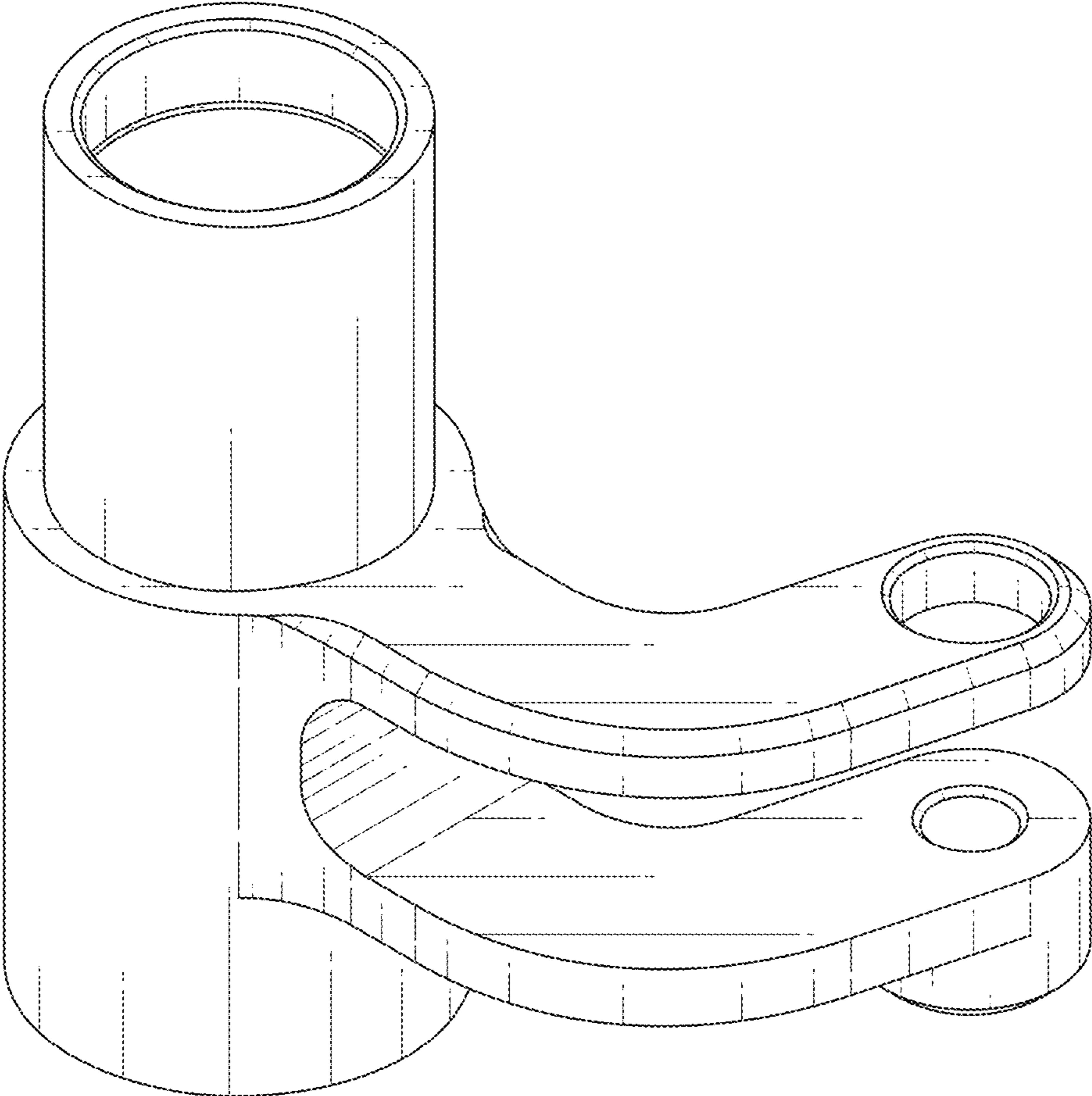


FIG. 2

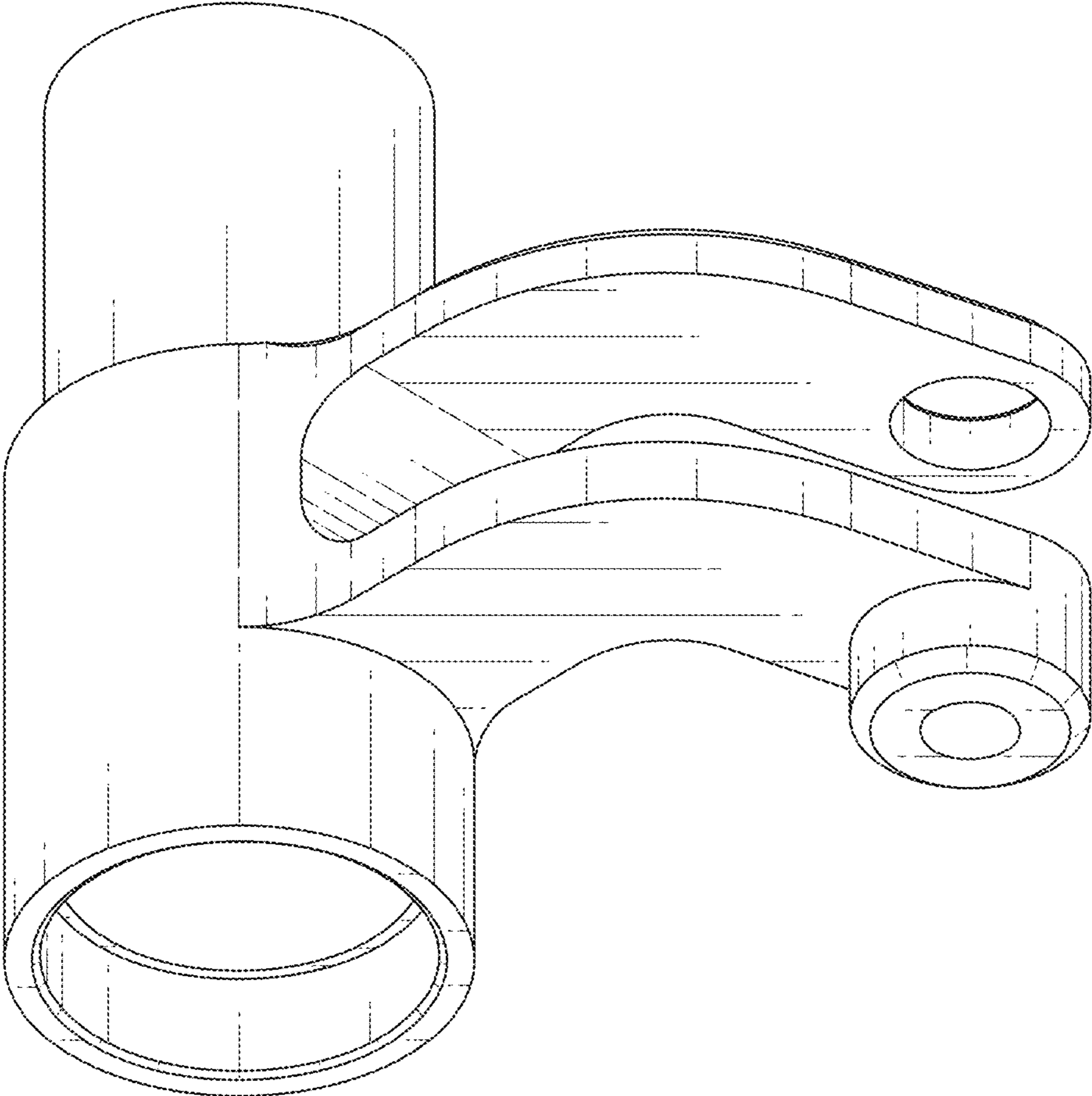


FIG. 3

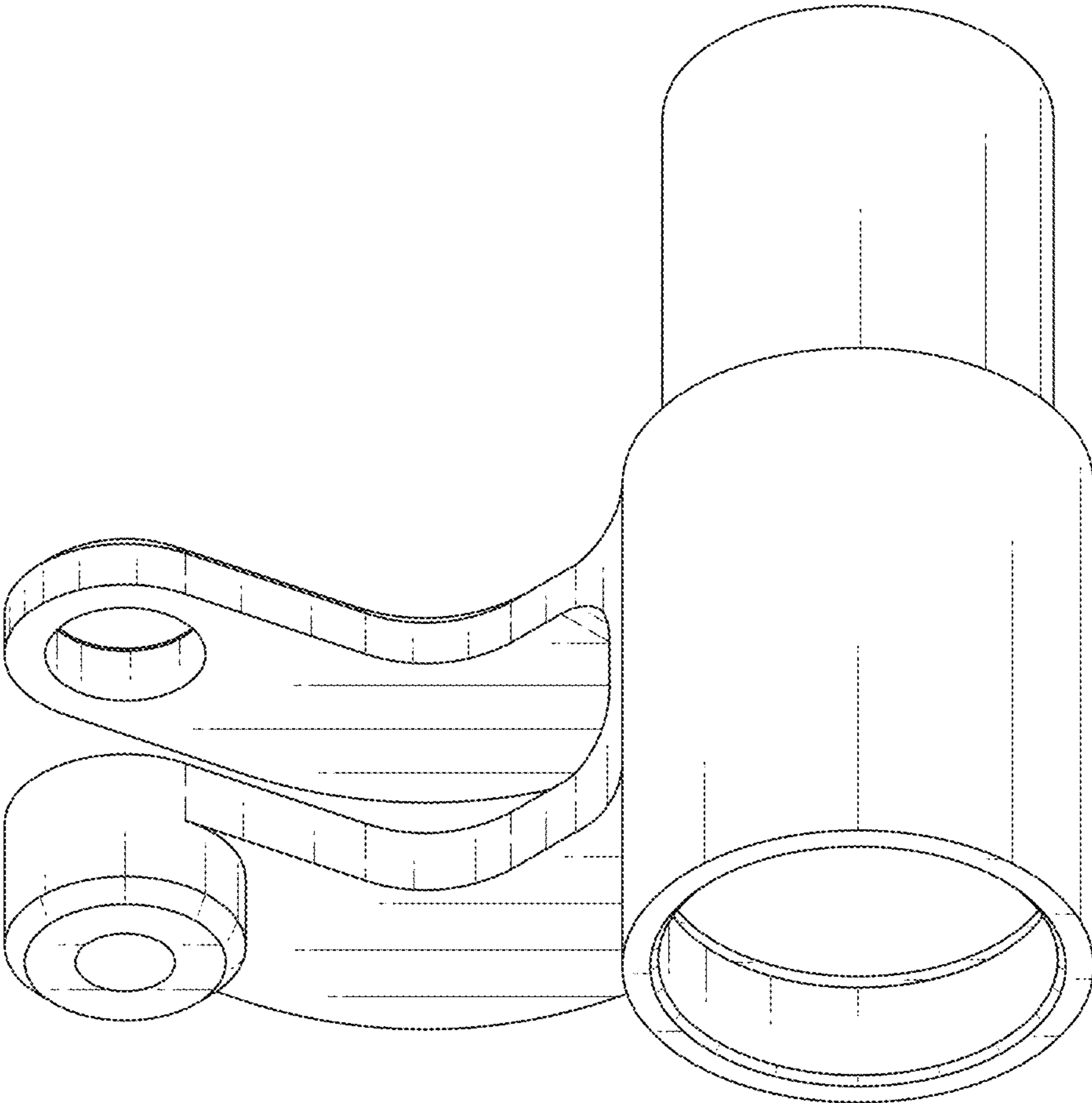


FIG. 4

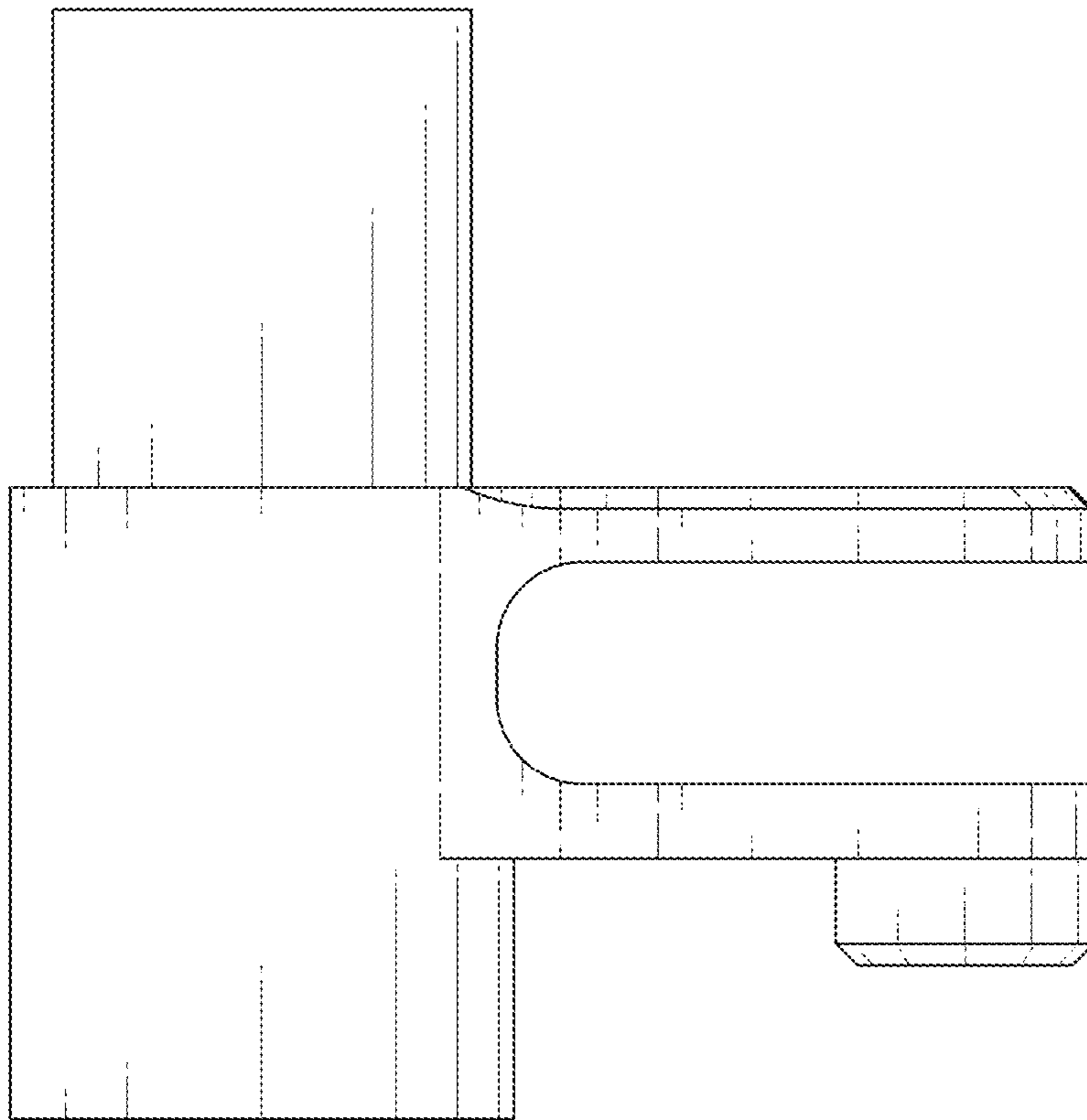


FIG. 5

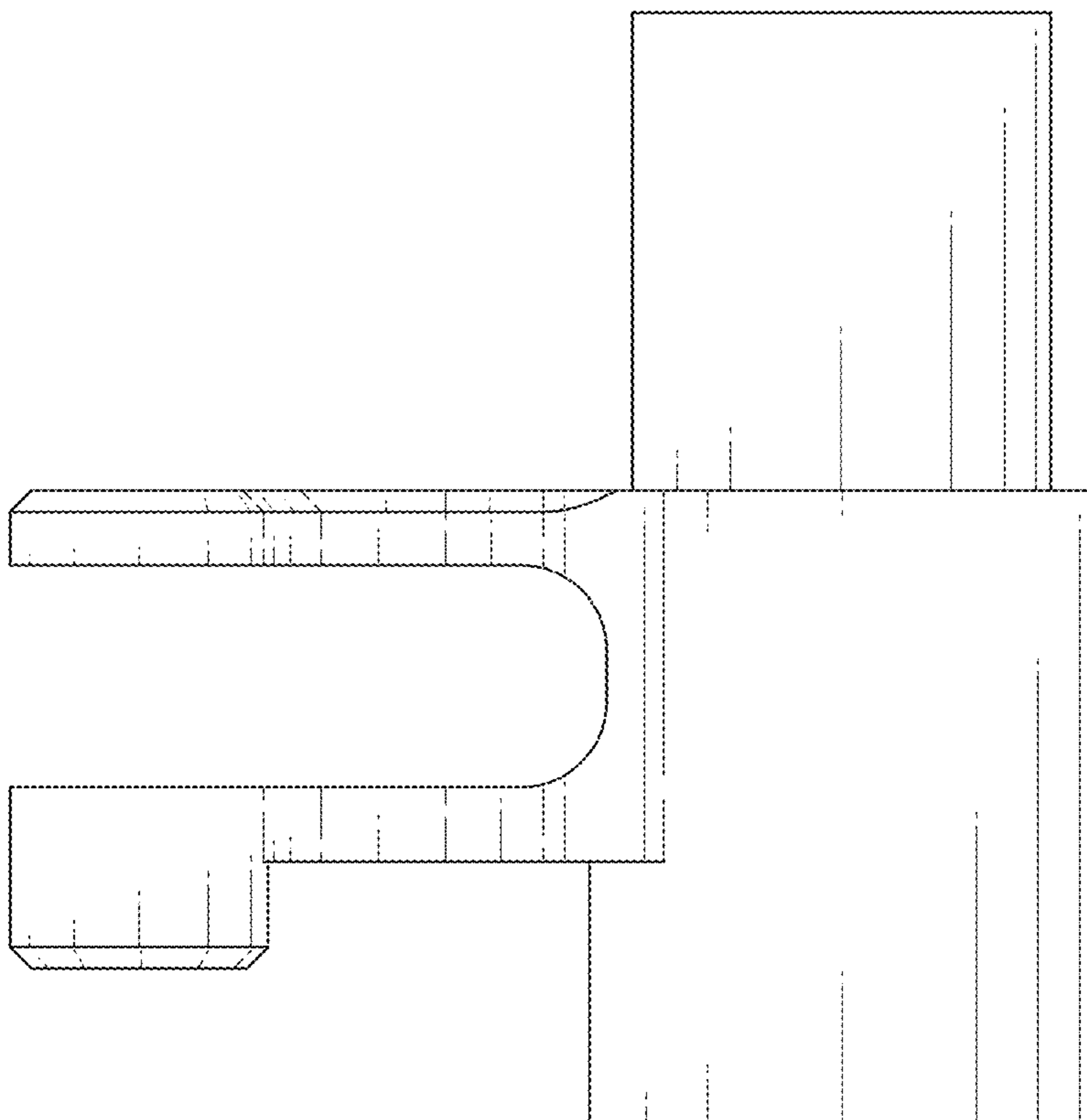


FIG. 6

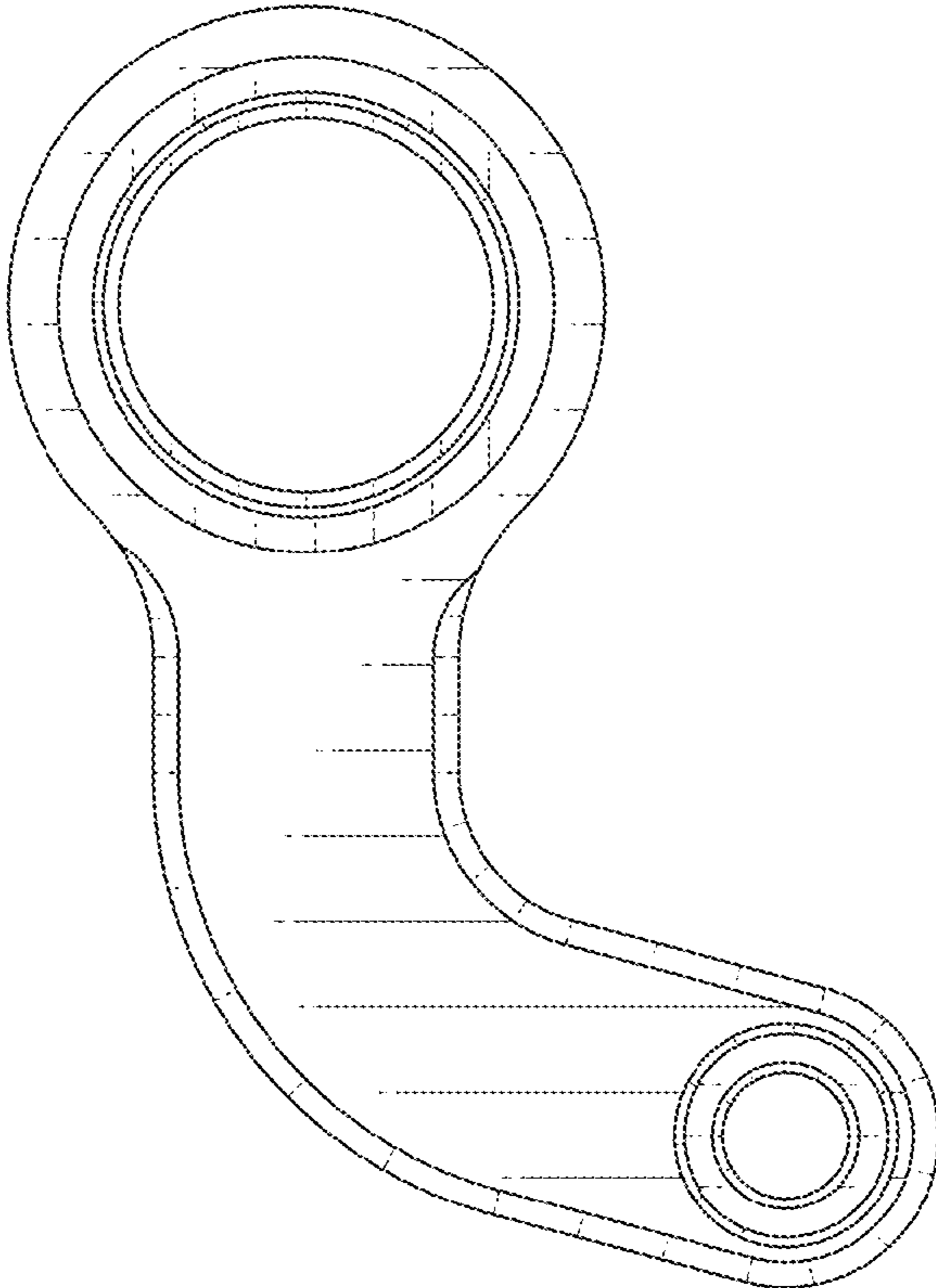


FIG. 7

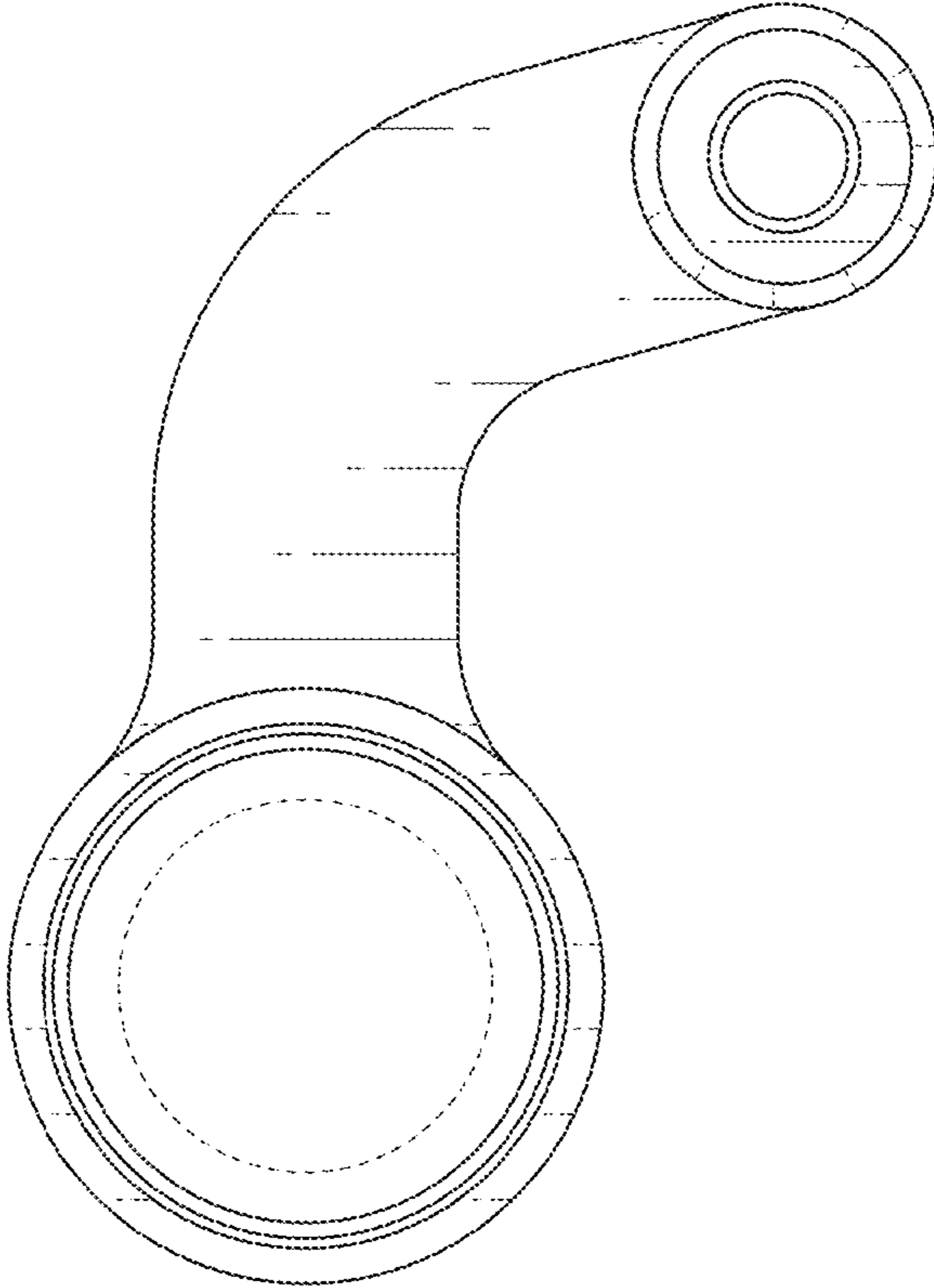


FIG. 8

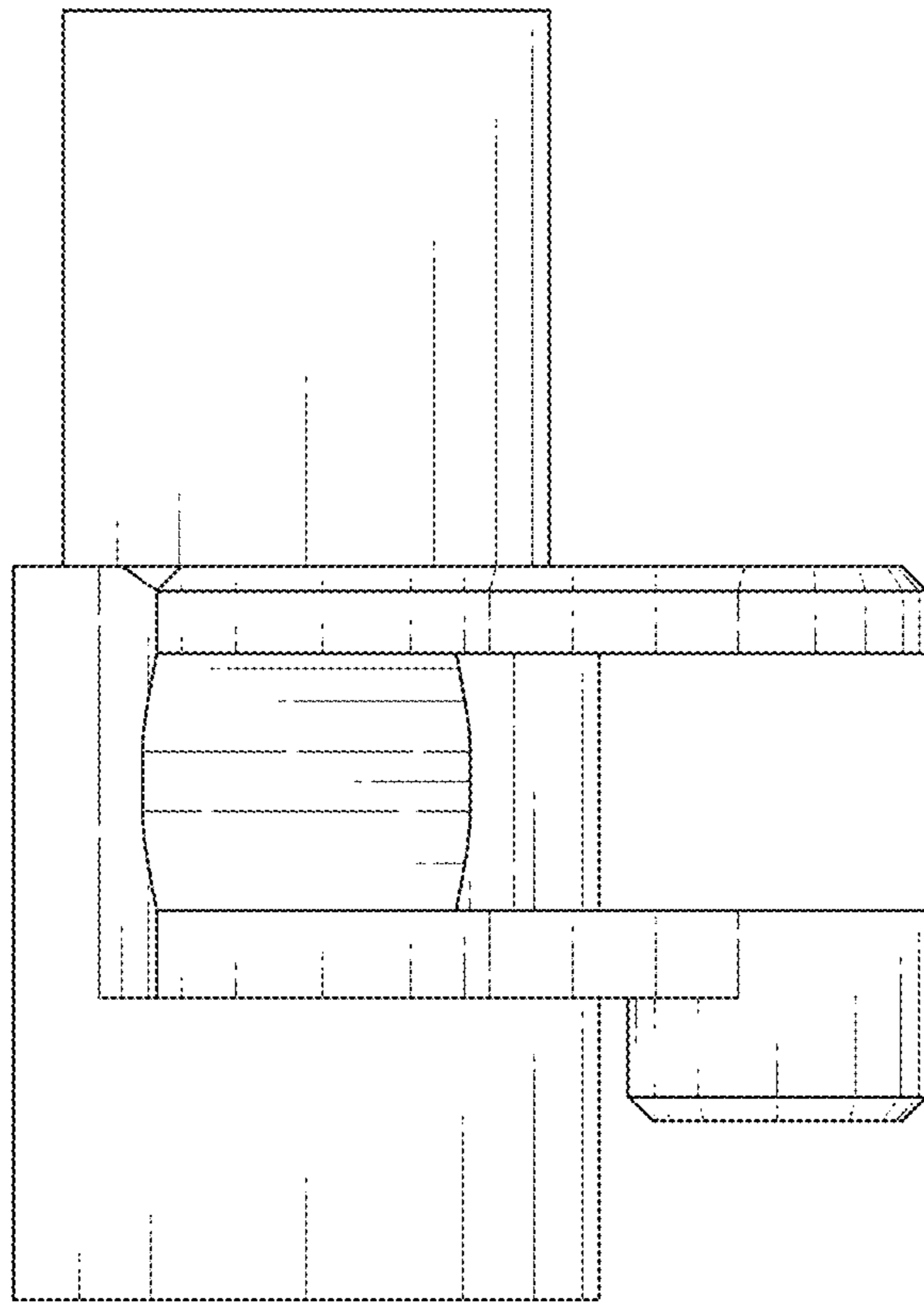


FIG. 9

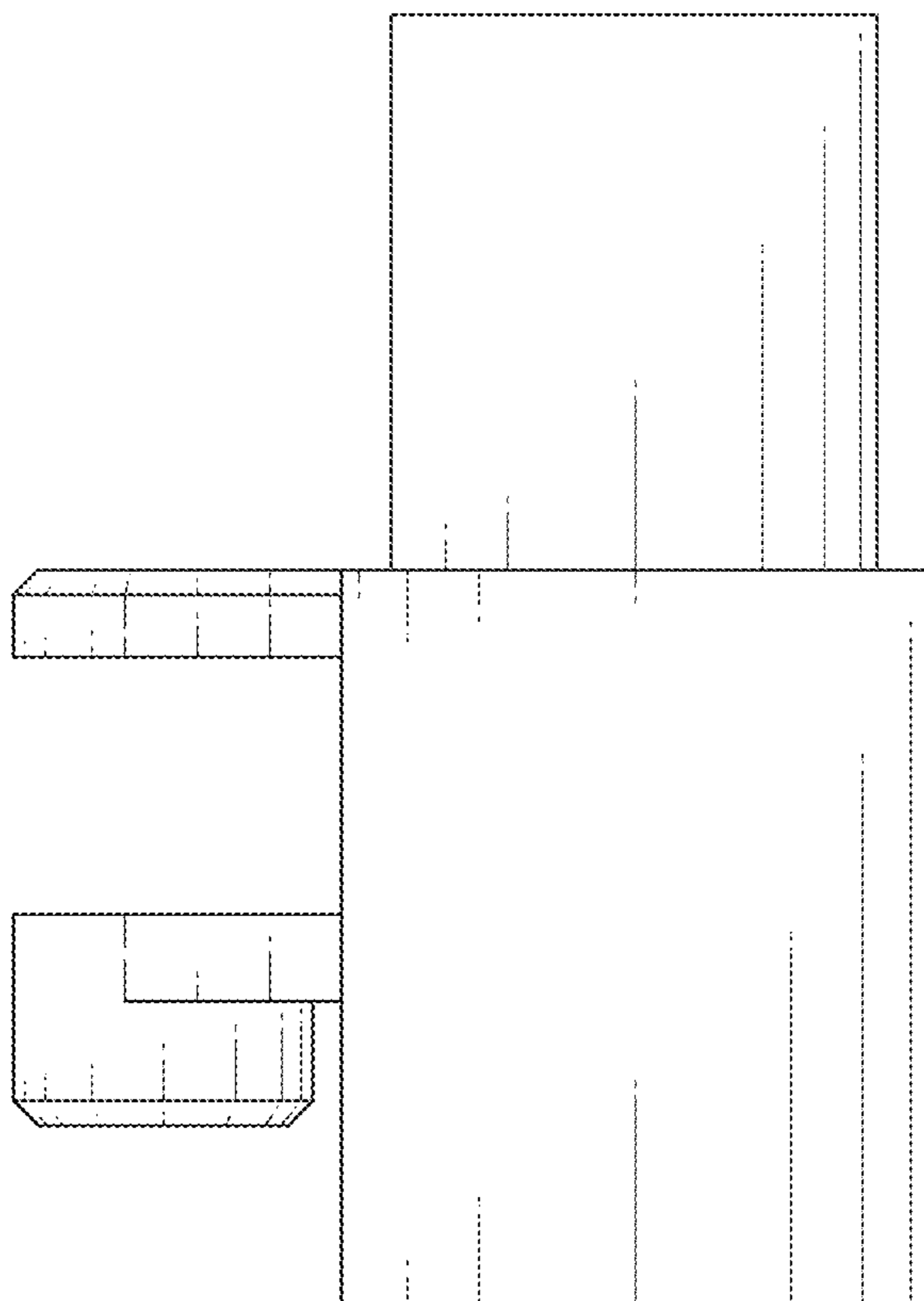


FIG. 10