



US0D1119444S

(12) **United States Design Patent**
Huebscher

(10) **Patent No.:** **US D1,119,444 S**

(45) **Date of Patent:** **** Mar. 24, 2026**

- (54) **BARREL BUNG CAP**
- (71) Applicant: **Mark Robert Huebscher**, Prosper, TX (US)
- (72) Inventor: **Mark Robert Huebscher**, Prosper, TX (US)
- (**) Term: **15 Years**
- (21) Appl. No.: **29/939,573**
- (22) Filed: **Apr. 28, 2024**
- (51) **LOC (15) Cl.** **07-01**
- (52) **U.S. Cl.**
USPC **D7/391**; D23/260; D7/213; D7/398;
D9/434; D9/439; D9/454
- (58) **Field of Classification Search**
USPC D7/213, 300, 305, 306, 312, 313, 391,
D7/397, 398, 589; D34/39; D10/60, 80;
D23/260; D9/434, 437, 439, 452, 454
CPC B67D 1/0802; B67D 1/0412; B67D 1/04;
B67D 1/1252; B67D 1/0877; B67D
1/0456; B67D 1/1405; B67D 1/0406;
B67D 1/0004; B67D 1/125; B65D 25/48;
B65D 25/38; B65D 39/084
See application file for complete search history.

(56) **References Cited**

U.S. PATENT DOCUMENTS

- 810,430 A * 1/1906 Pfluger et al. B21D 51/40
16/2.3
- 944,378 A * 12/1909 Pfluger et al. B21D 51/40
16/2.3
- 1,838,285 A * 12/1931 Rieke B65D 39/084
220/254.8
- 4,105,135 A * 8/1978 Bradshaw B65D 39/088
220/288

- 4,957,266 A * 9/1990 Ellis B60K 15/05
220/744
- D344,242 S * 2/1994 Weise D23/260
- D363,767 S * 10/1995 Swaim D23/260
- D388,933 S * 1/1998 Hunter D34/39
- D526,758 S * 8/2006 Baughman D34/39
- D543,259 S * 5/2007 Chueh D23/262
- D545,404 S * 6/2007 Nightlinger D23/260
- D583,912 S * 12/2008 Beele F16L 5/04
D23/260
- D621,480 S * 8/2010 Campbell D23/260
- D638,194 S * 5/2011 Lichstein D34/39
- D768,473 S * 10/2016 Manwaring D23/262
- D787,025 S * 5/2017 Taylor D23/269
- D812,716 S * 3/2018 Ebertowski D23/260
- D826,511 S * 8/2018 Ching D34/39

* cited by examiner

Primary Examiner — Amy C Wierenga

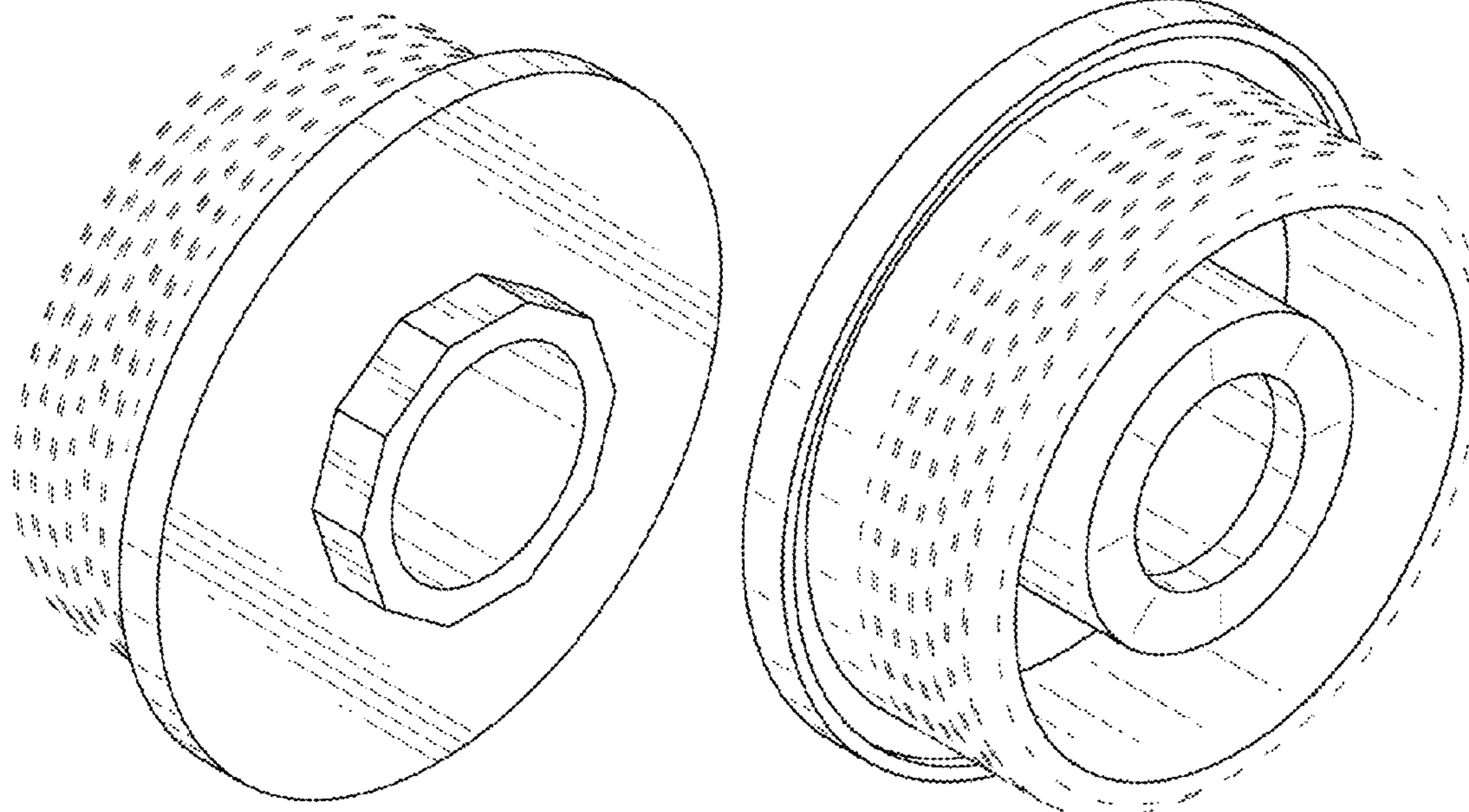
(57) **CLAIM**

The ornamental design for a barrel bung cap, as shown and described.

DESCRIPTION

FIG. 1 is a front perspective view of a barrel bung cap showing my new design;
 FIG. 2 is a rear perspective view of the barrel bung cap;
 FIG. 3 is a front elevation view of the barrel bung cap, the rear elevation view being the same;
 FIG. 4 is a front elevation cross-sectional view taken at line 4-4 from FIG. 6;
 FIG. 5 is a left side elevation view of the barrel bung cap, the right side elevation view being the same;
 FIG. 6 is a top plan view of the barrel bung cap; and,
 FIG. 7 is a bottom plan view of the barrel bung cap.
 The broken lines are for the purpose of illustrating portions of the barrel bung cap and form no part of the claimed design.

1 Claim, 7 Drawing Sheets



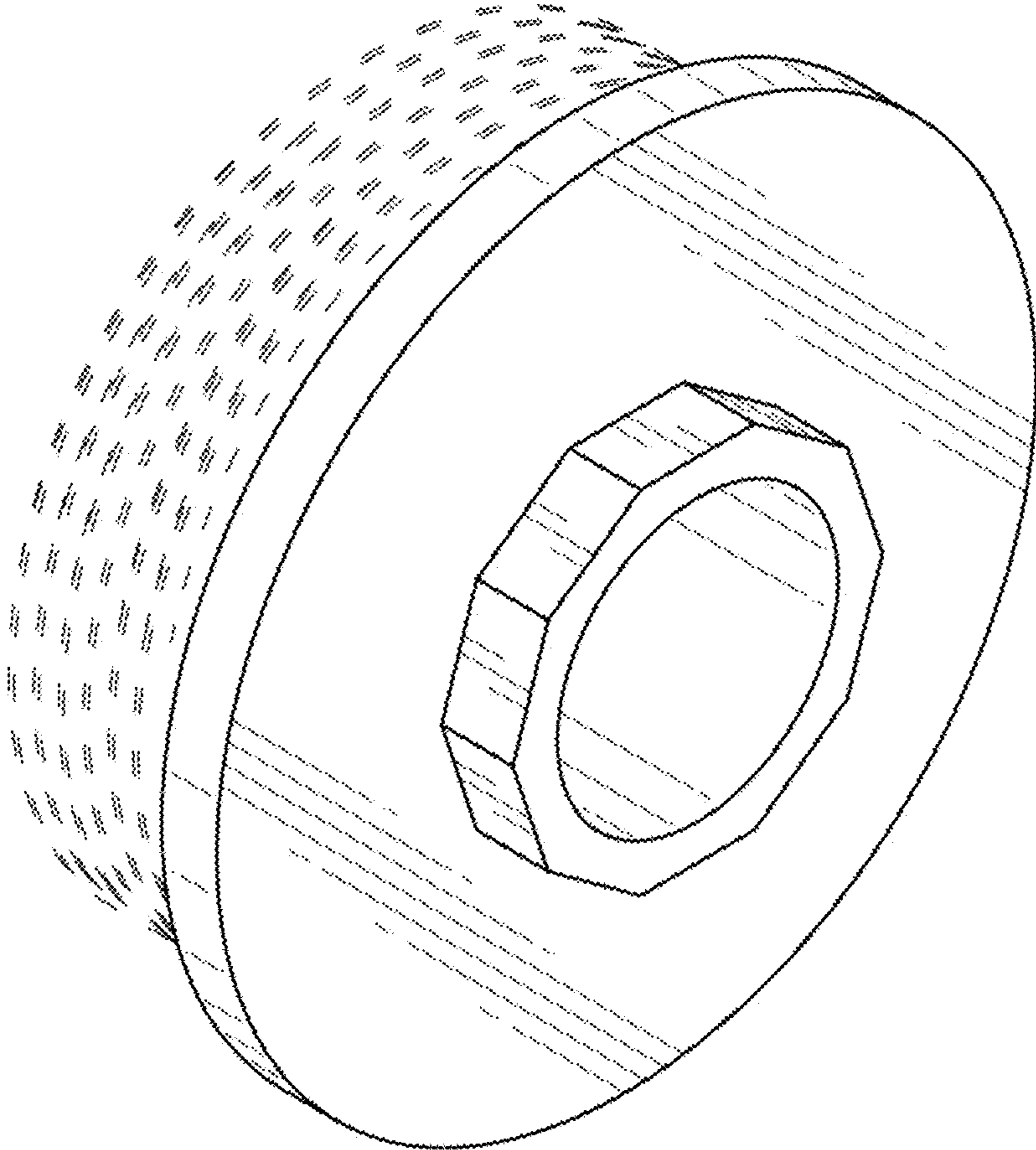


FIG 1.

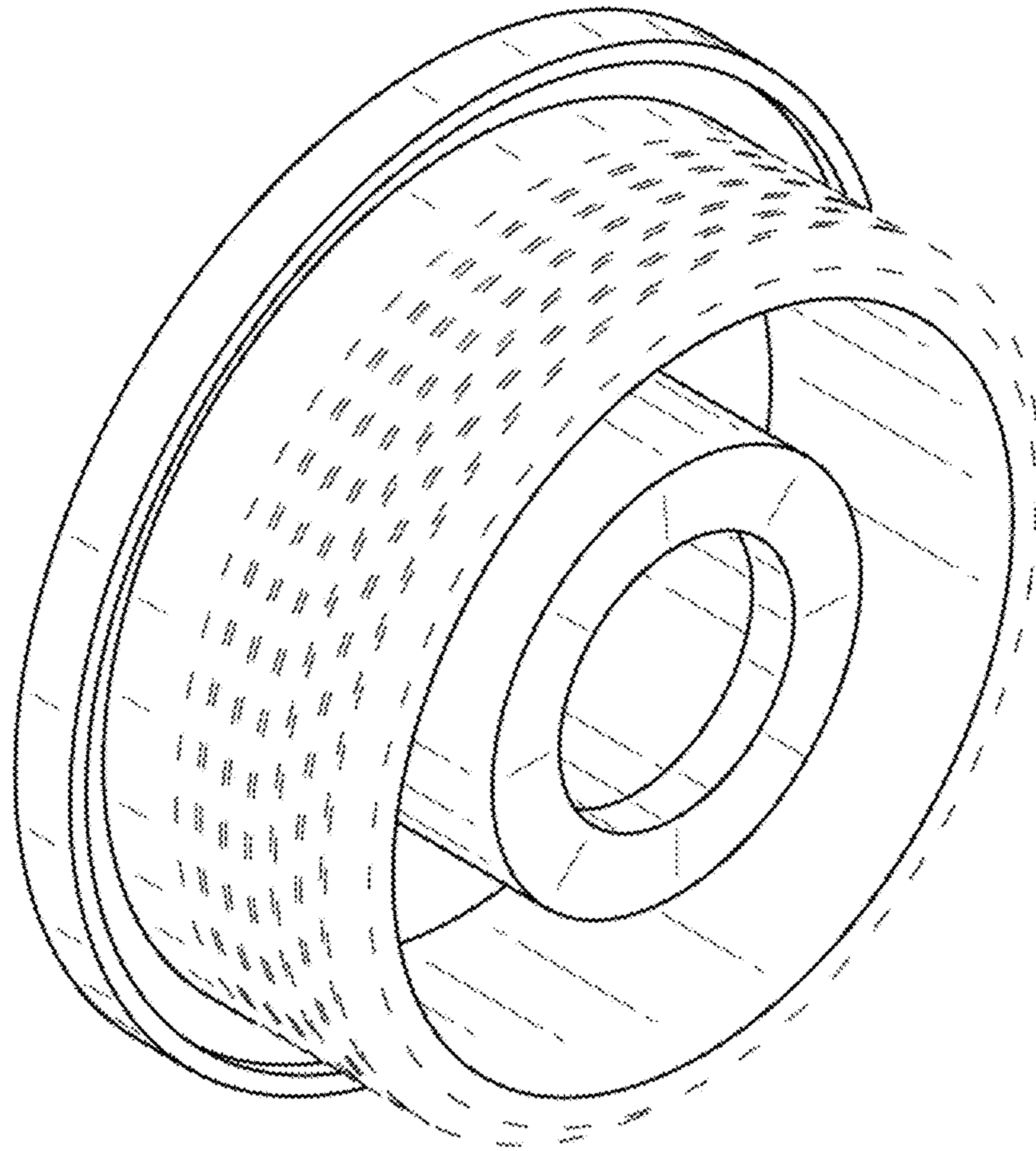


FIG 2.

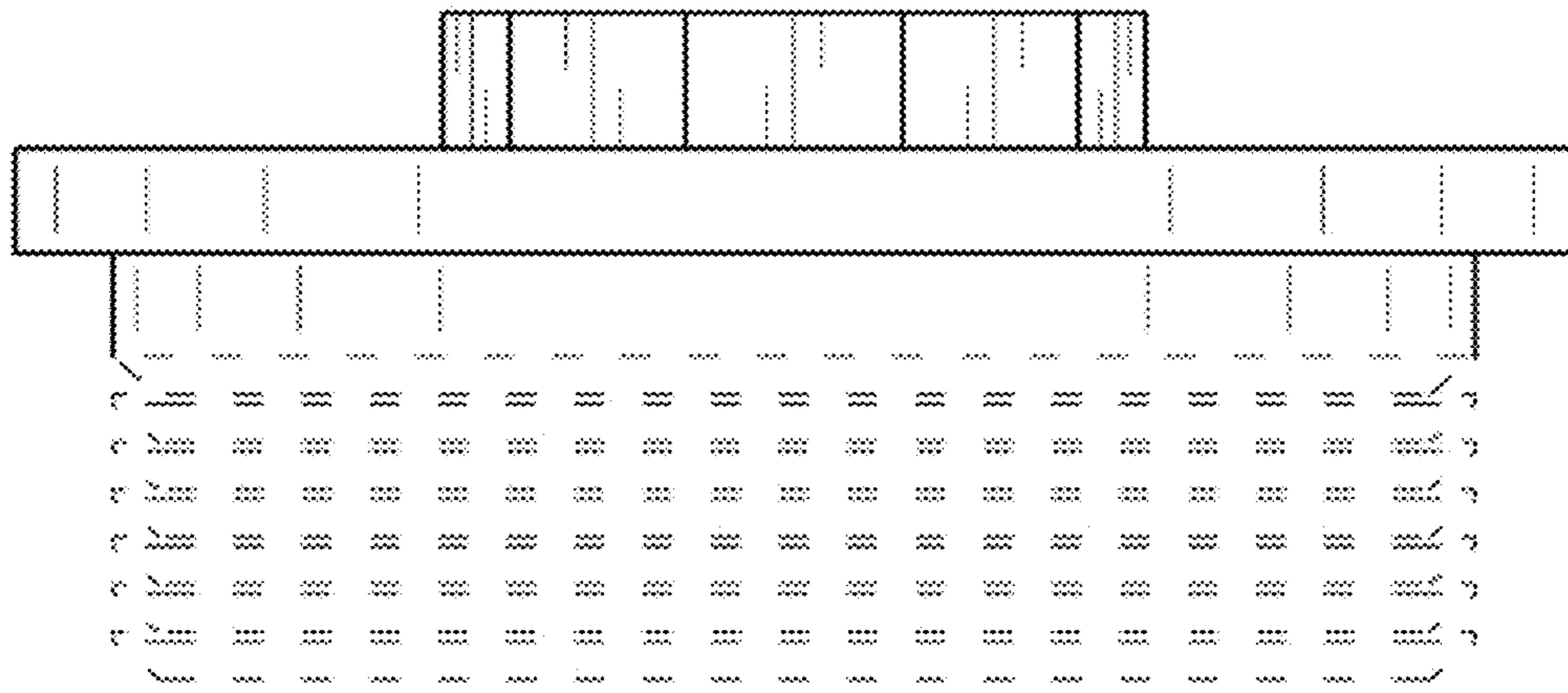


FIG 3.

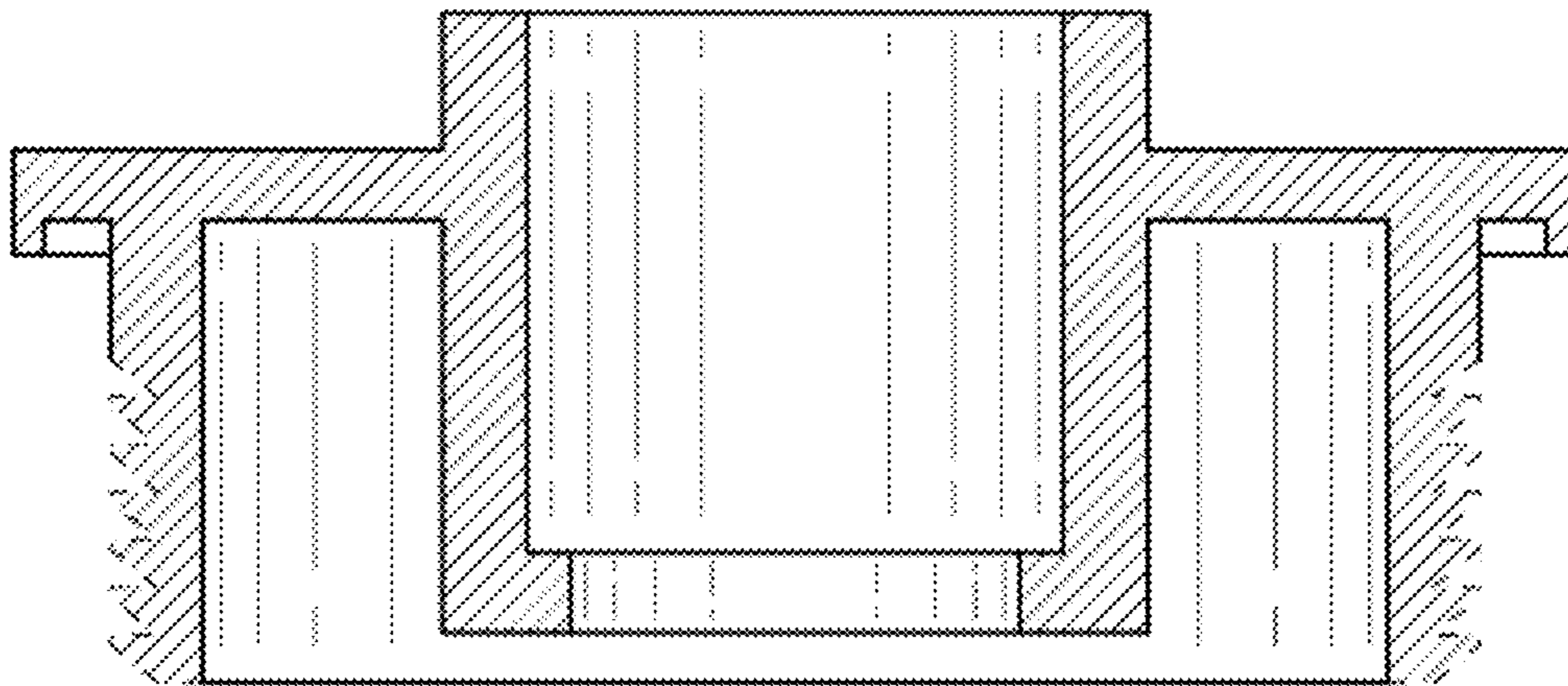


FIG 4.

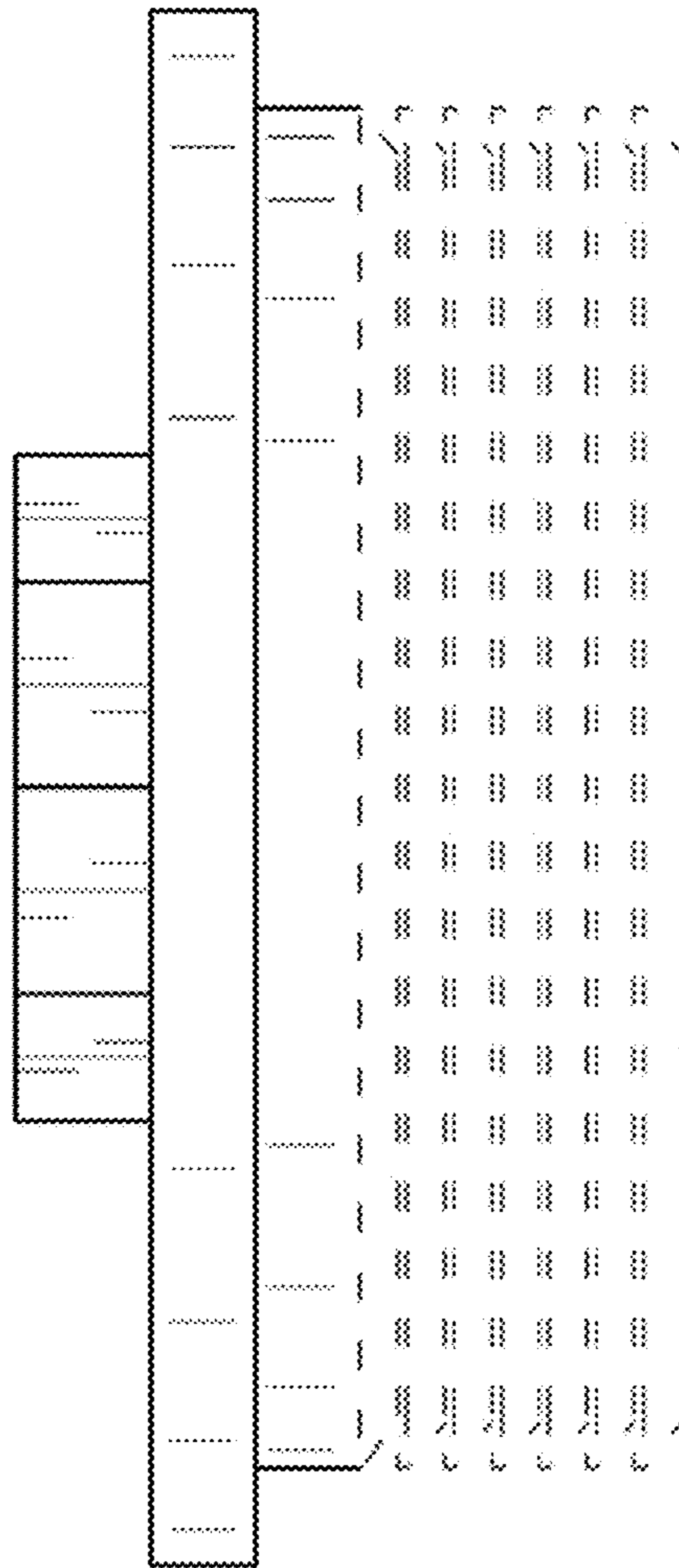


FIG 5.

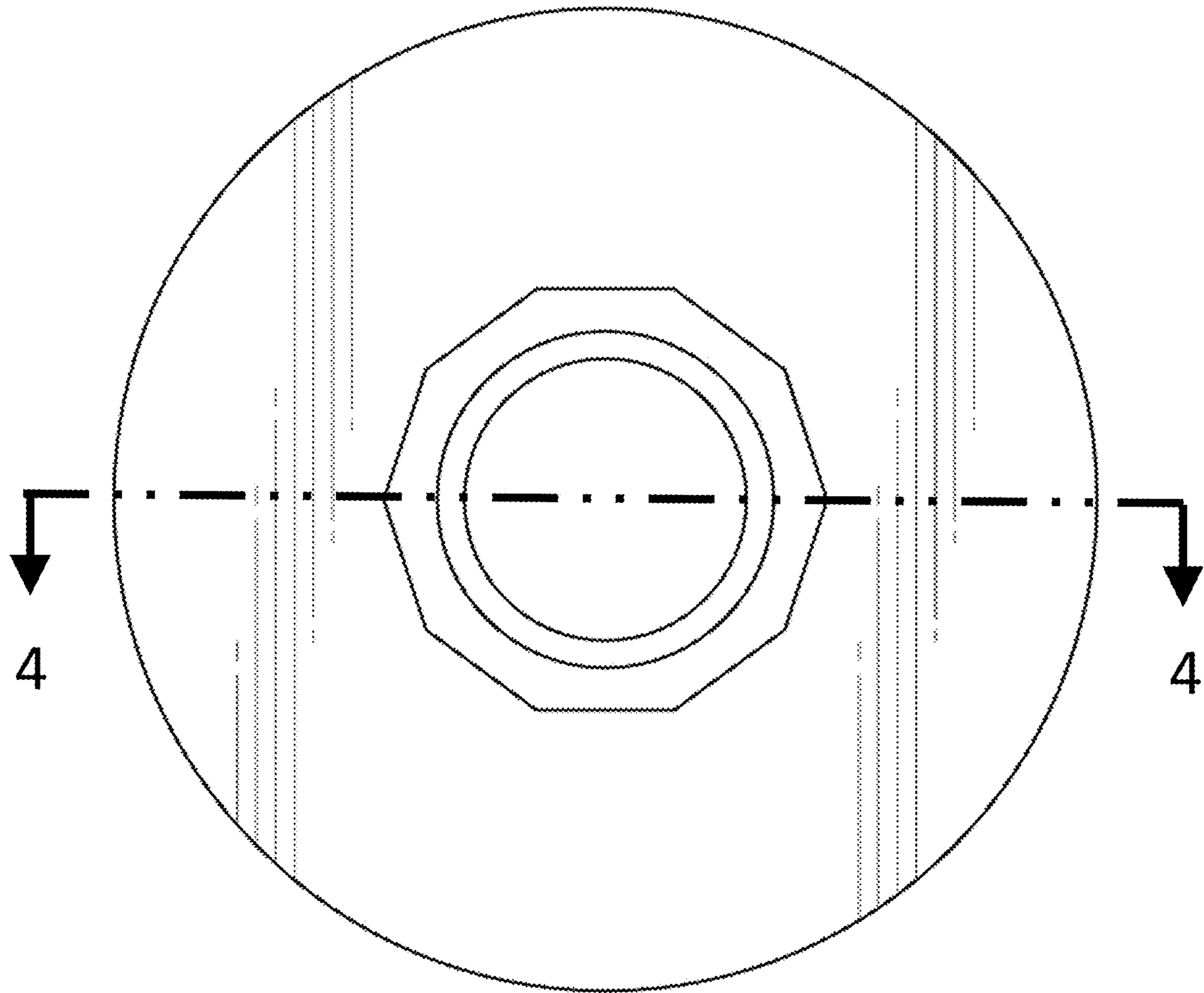


FIG 6.

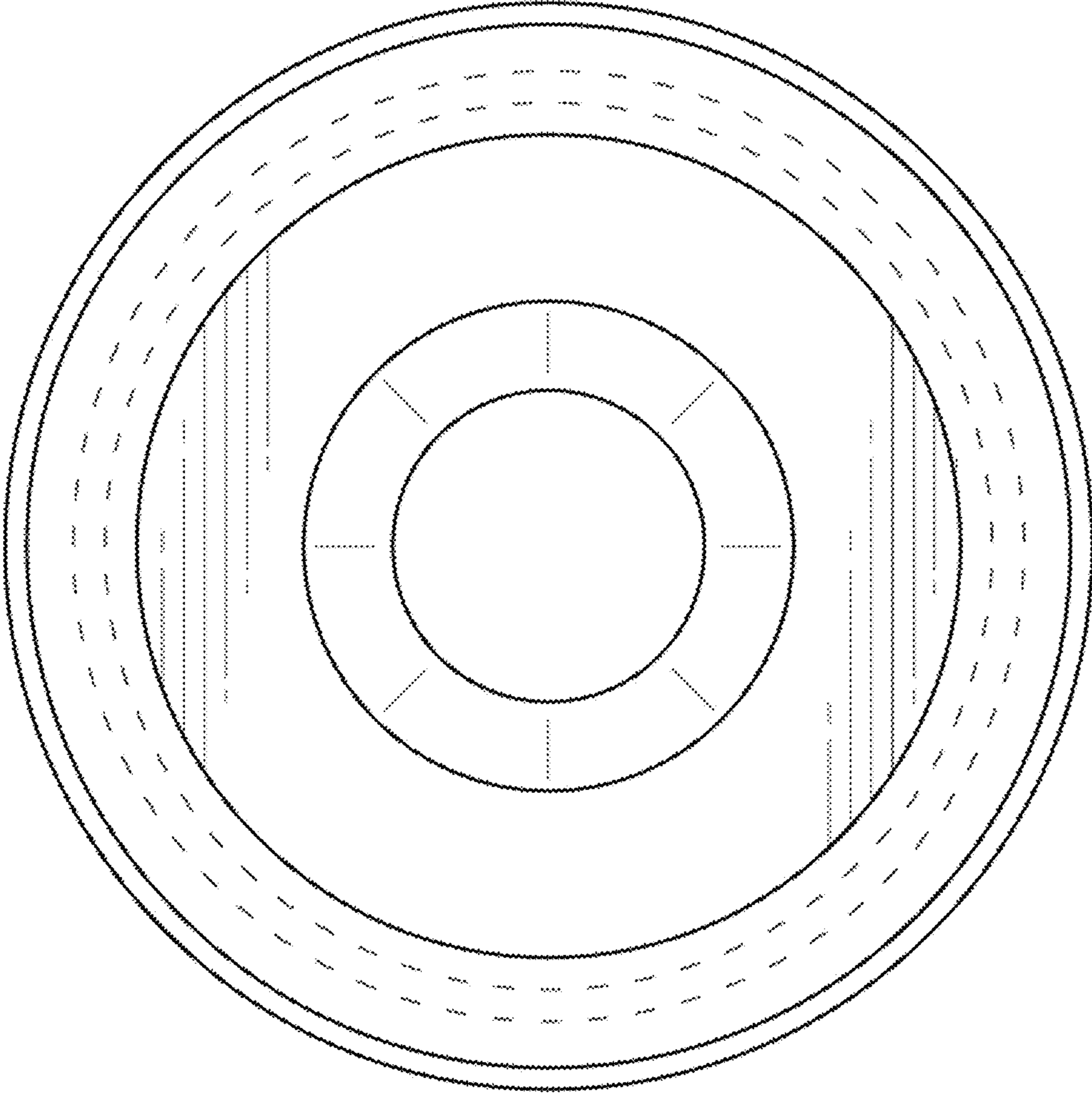


FIG 7.