



US0D1119294S

(12) **United States Design Patent** (10) **Patent No.:** **US D1,119,294 S**
Napoli et al. (45) **Date of Patent:** **** Mar. 24, 2026**

(54) **HOCKEY PUCK HOLDER**

FOREIGN PATENT DOCUMENTS

(71) Applicants: **Tom Napoli**, Midlothian, TX (US);
Patricia A. Napoli, Midlothian, TX (US)

CA 133653 * 9/2010

* cited by examiner

(72) Inventors: **Tom Napoli**, Midlothian, TX (US);
Patricia A. Napoli, Midlothian, TX (US)

Primary Examiner — Ian Simmons

Assistant Examiner — Rose Herzog

(74) *Attorney, Agent, or Firm* — Lewis Kohn & Walker LLP; David M. Kohn; Kari Moyer-Henry

(**) Term: **15 Years**

(57) **CLAIM**

The ornamental design for a hockey puck holder as shown and described.

(21) Appl. No.: **29/996,182**

DESCRIPTION

(22) Filed: **Mar. 31, 2025**

(51) **LOC (15) Cl.** **03-01**

(52) **U.S. Cl.**

USPC **D3/221**

(58) **Field of Classification Search**

USPC D3/215, 221, 254, 257; D21/710, 719;
D6/682

CPC A63B 60/38; A63B 60/40; A63B 60/56

See application file for complete search history.

FIG. 1 is a front perspective view of the hockey puck holder; FIG. 2 is a front view of the hockey puck holder from FIG. 1;

FIG. 3 is a back view of the hockey puck holder from FIG. 1;

FIG. 4 is a right side view of the hockey puck holder from FIG. 1;

FIG. 5 is a left side view of the hockey puck holder of FIG. 1;

FIG. 6 is a top view of the hockey puck holder of FIG. 1; FIG. 7 is a bottom view of the hockey puck holder of FIG. 1; and,

FIG. 8 is an alternative front perspective view thereof.

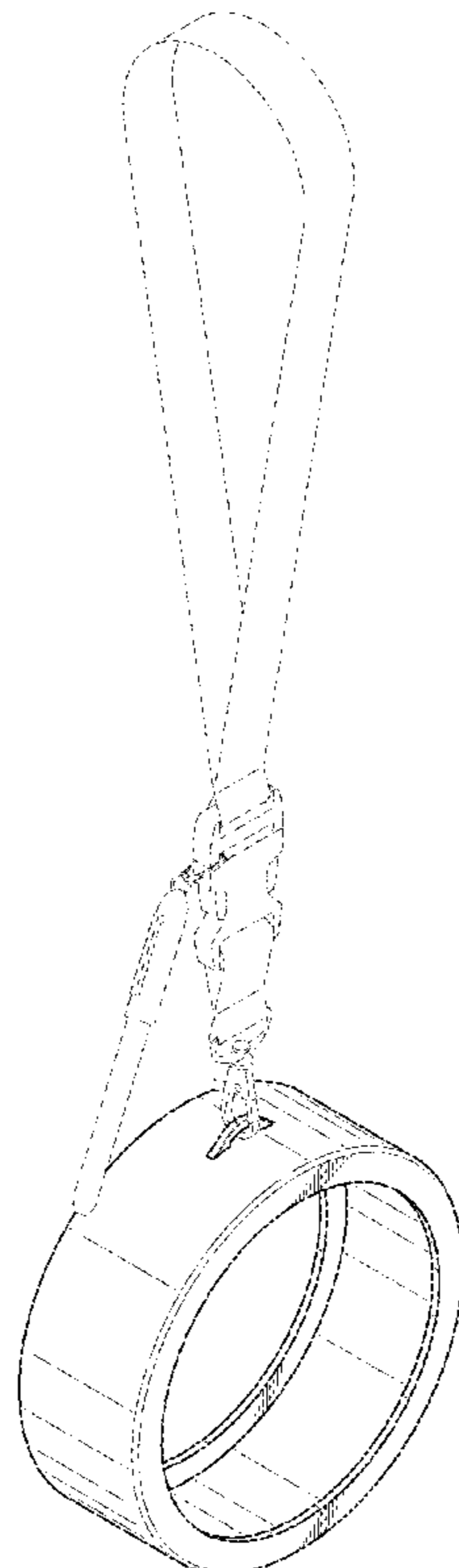
The broken lines in the figures showing a lanyard, keyring, pen, and puck are considered environmental, and form no part of the claimed design.

(56) **References Cited**

U.S. PATENT DOCUMENTS

D46,126 S *	7/1914	Heath	D3/215
D405,606 S *	2/1999	Merritt	D3/254
D431,114 S *	9/2000	Smith	D6/309
D1,036,108 S *	7/2024	Chia	D3/221
2004/0007484 A1 *	1/2004	Donofrio, Jr.	A47F 7/00 206/457

1 Claim, 5 Drawing Sheets



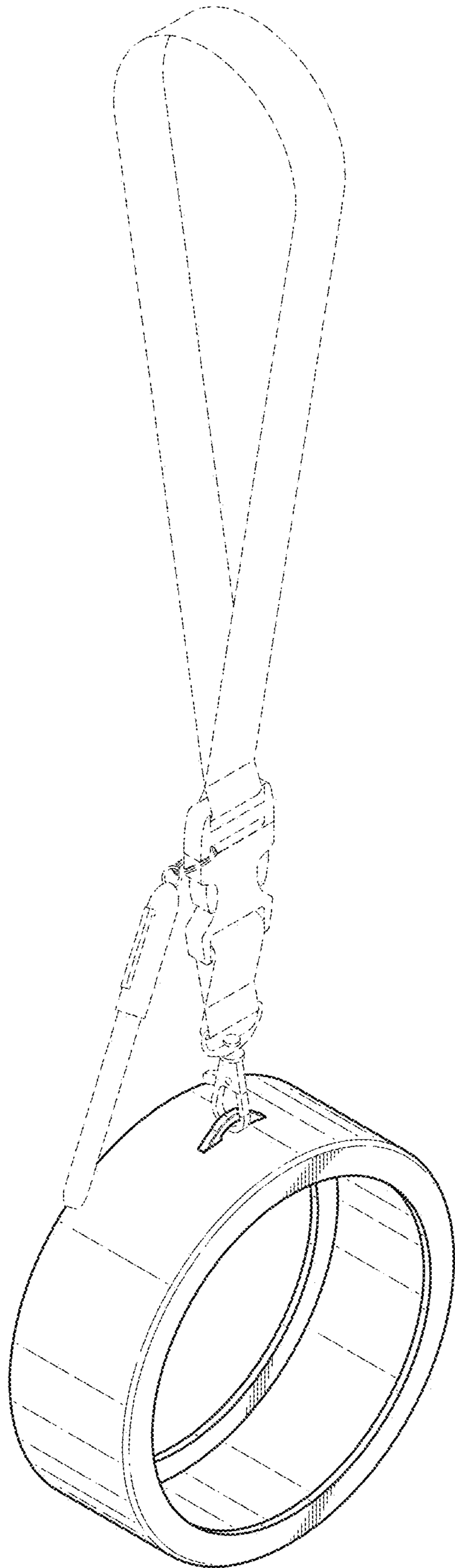


FIG. 1

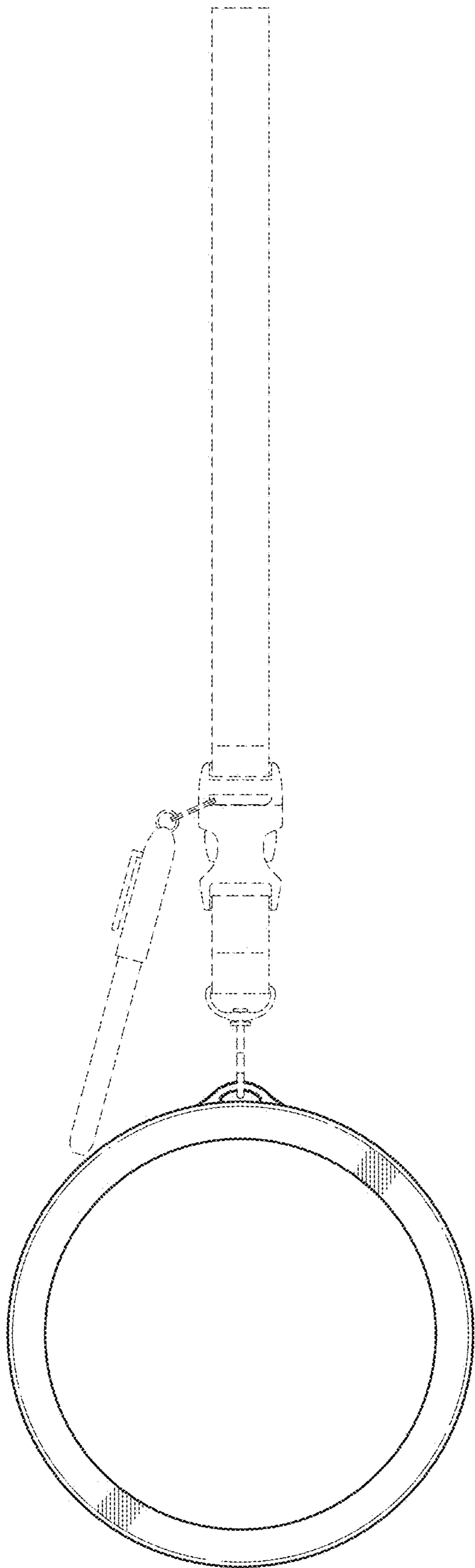


FIG. 2

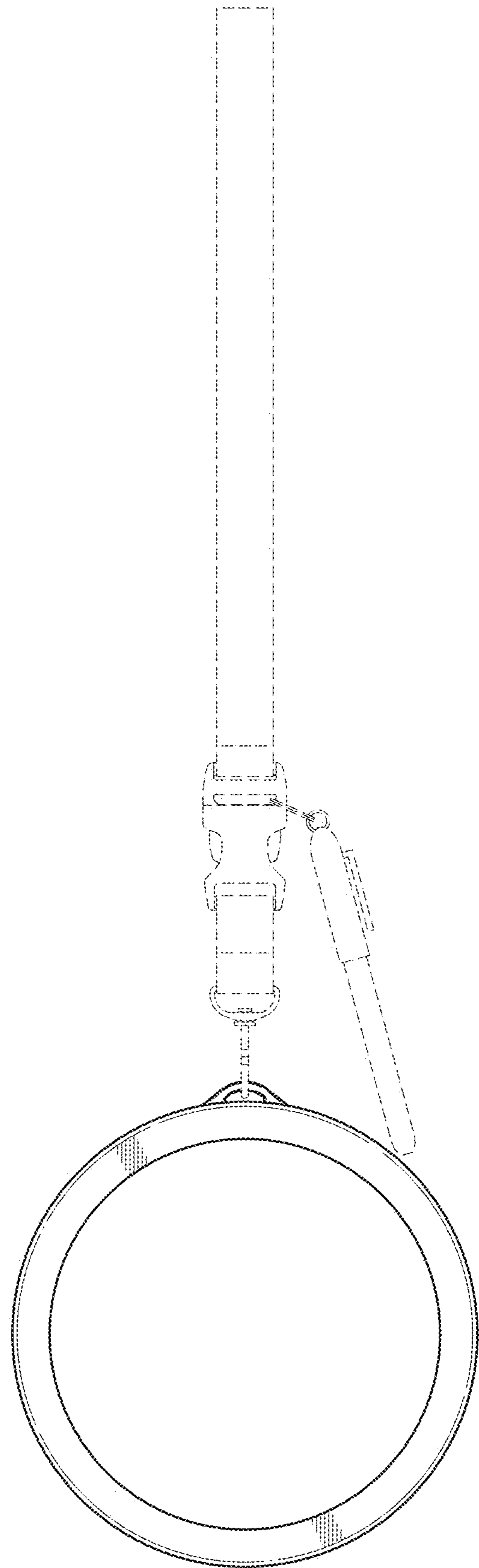


FIG. 3

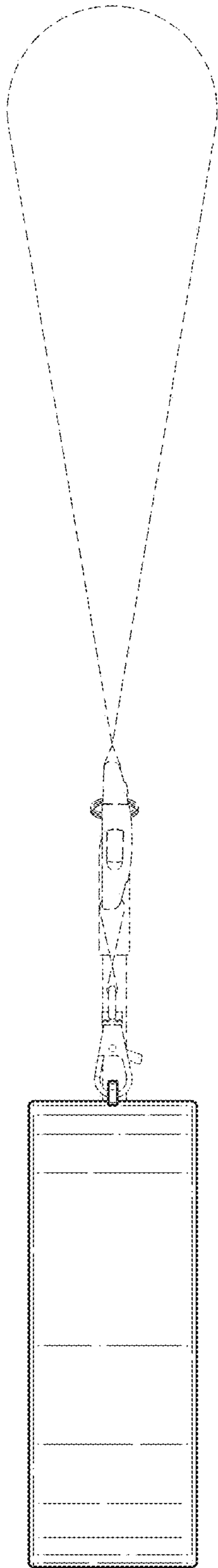


FIG. 4

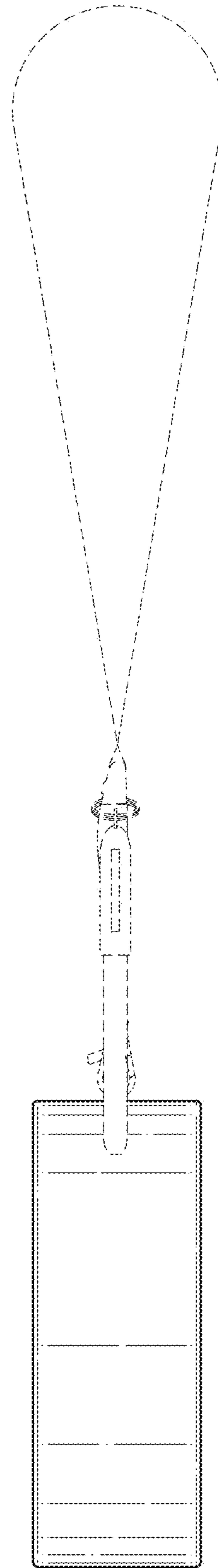


FIG. 5

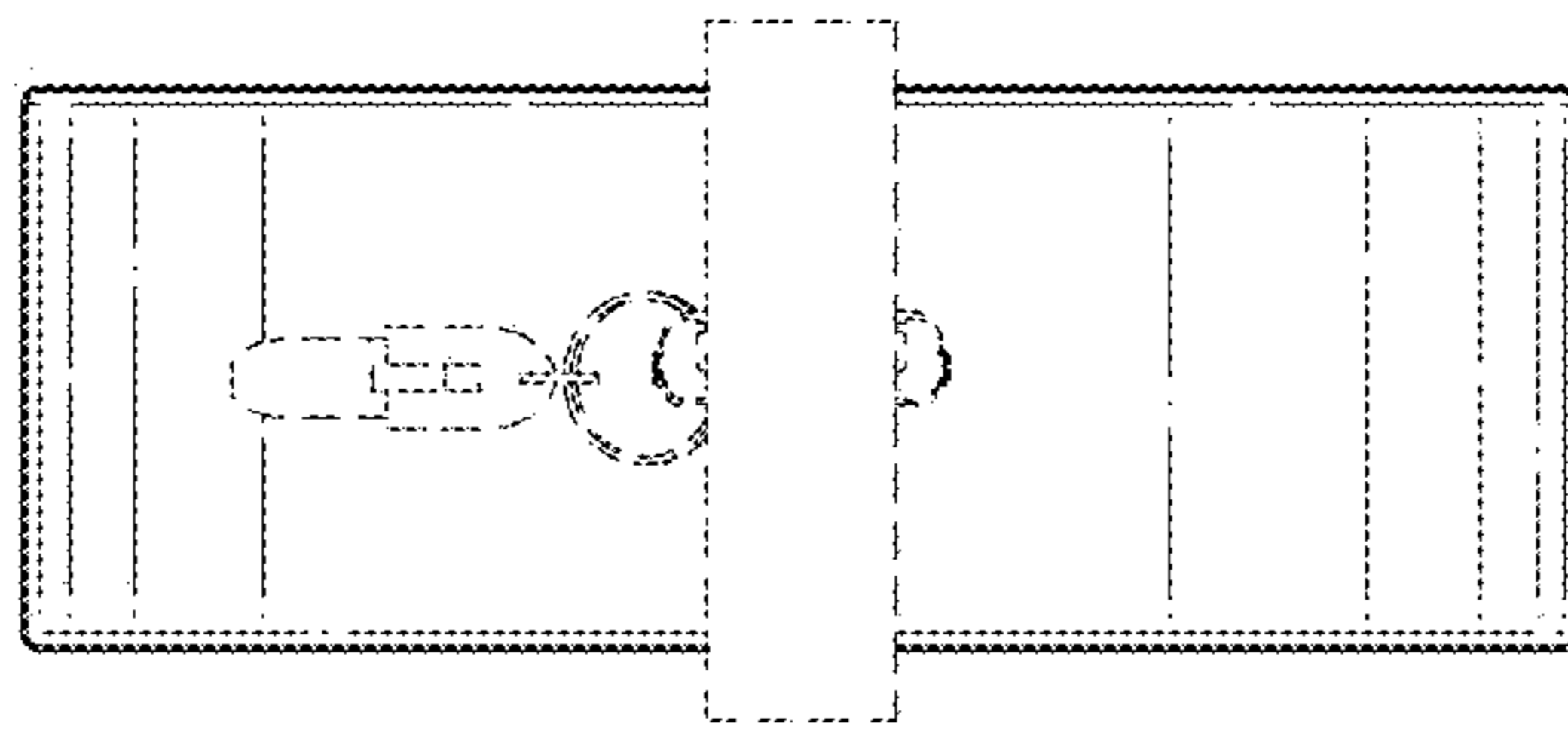


FIG. 6

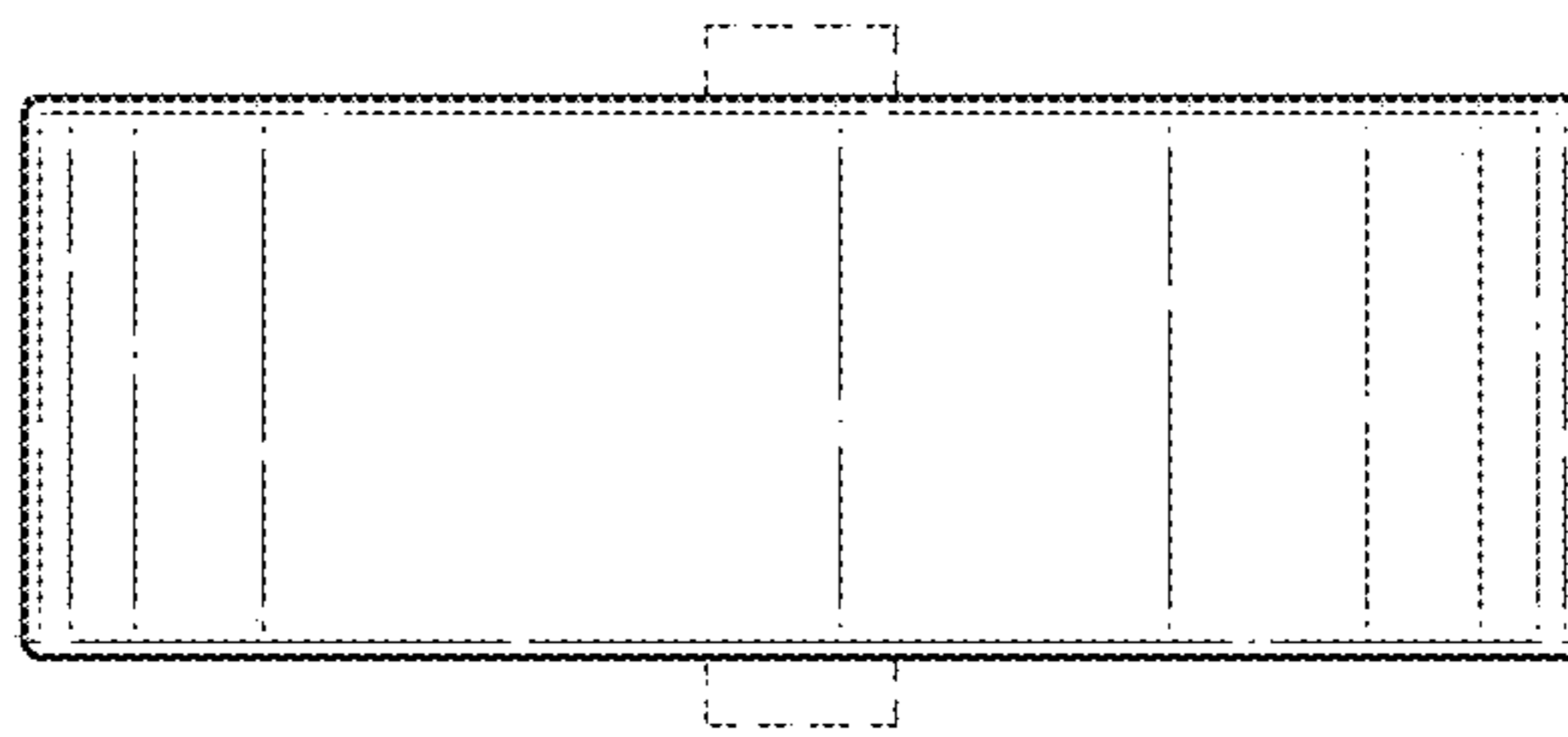


FIG. 7

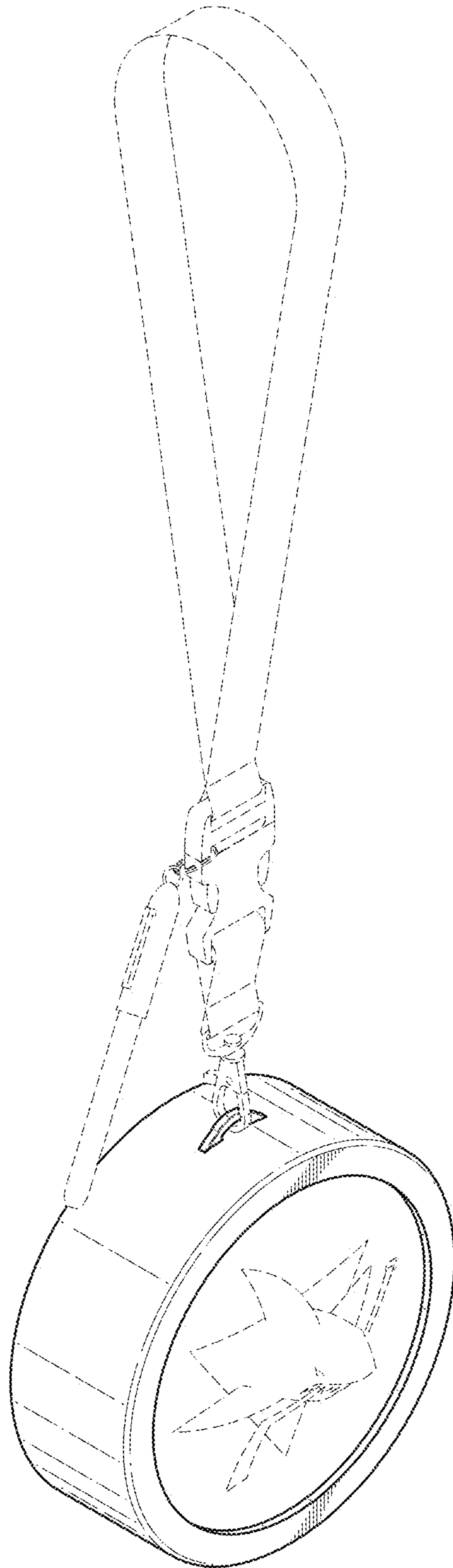


FIG. 8