



US0D1119289S

(12) **United States Design Patent**  
**Ewing et al.**

(10) **Patent No.:** **US D1,119,289 S**  
(45) **Date of Patent:** **\*\* Mar. 24, 2026**

- (54) **MODEL VEHICLE CARRIER BACKPACK**
- (71) Applicant: **TRAXXAS, L.P.**, McKinney, TX (US)
- (72) Inventors: **Adam Cole Ewing**, McKinney, TX (US); **Kent Poteet**, Lucas, TX (US); **Otto Karl Allmendinger**, Rowlett, TX (US); **Noah House**, Sachse, TX (US)

D423,210 S \* 4/2000 Zakarin ..... D3/217  
 D471,012 S \* 3/2003 Peterson ..... D3/254  
 D922,061 S \* 6/2021 Tan ..... D3/904  
 (Continued)

- (73) Assignee: **TRAXXAS, L.P.**, McKinney, TX (US)
- (\*\*) Term: **15 Years**

FOREIGN PATENT DOCUMENTS

CN 307318912 \* 5/2022

(21) Appl. No.: **29/894,727**

OTHER PUBLICATIONS

Traxxas RC Backpack & Duffel Bag, available at rcdriver.com, dated Aug. 12, 2023 [online], site visited May 8, 2025, available from the internet URL: <https://www.rcdriver.com/traxxas-rc-backpack-duffel-bag/> (Year: 2023).\*

(22) Filed: **Jun. 13, 2023**

(Continued)

(51) **LOC (15) Cl.** ..... **03-01**

*Primary Examiner* — Leanne Was-Englehart

(52) **U.S. Cl.**

*Assistant Examiner* — Jillian Mazzola

USPC ..... **D3/216**

(74) *Attorney, Agent, or Firm* — Daryl R. Wright; Greg Carr

(58) **Field of Classification Search**

USPC ..... D3/201, 202, 203.1, 205, 215–217, 221,  
 D3/226–233, 234, 238, 244–246, 254,  
 D3/255, 269, 270, 271.1, 273–277,  
 D3/289–292, 294, 299, 301–304, 306,  
 D3/315, 316, 318, 319, 901, 904, 905;  
 D7/601, 607; D9/702, 703, 705–707;  
 D12/423, 425, 407; D24/169; D30/108,  
 D30/199

CPC .... A45C 1/00; A45C 1/02; A45C 3/00; A45C  
 2003/007; A45C 2003/008; A45C 11/00;  
 A45C 15/00; A45F 3/00; A45F 3/02;  
 A45F 3/04; A45F 3/042; A45F 2003/002

See application file for complete search history.

(57) **CLAIM**

The ornamental design for a model vehicle carrier backpack as shown and described.

**DESCRIPTION**

FIG. 1 is an upper, left, front perspective view of a model vehicle carrier backpack showing our new design;  
 FIG. 2 is a lower, right, rear perspective view thereof;  
 FIG. 3 is a front elevation view thereof;  
 FIG. 4 is a rear elevation view thereof;  
 FIG. 5 is a left side elevation view thereof;  
 FIG. 6 is a right side elevation view thereof;  
 FIG. 7 is an upper plan view thereof;  
 FIG. 8 is a lower plan view thereof; and,  
 FIG. 9 is an upper, right, rear perspective view of the model vehicle carrier backpack.

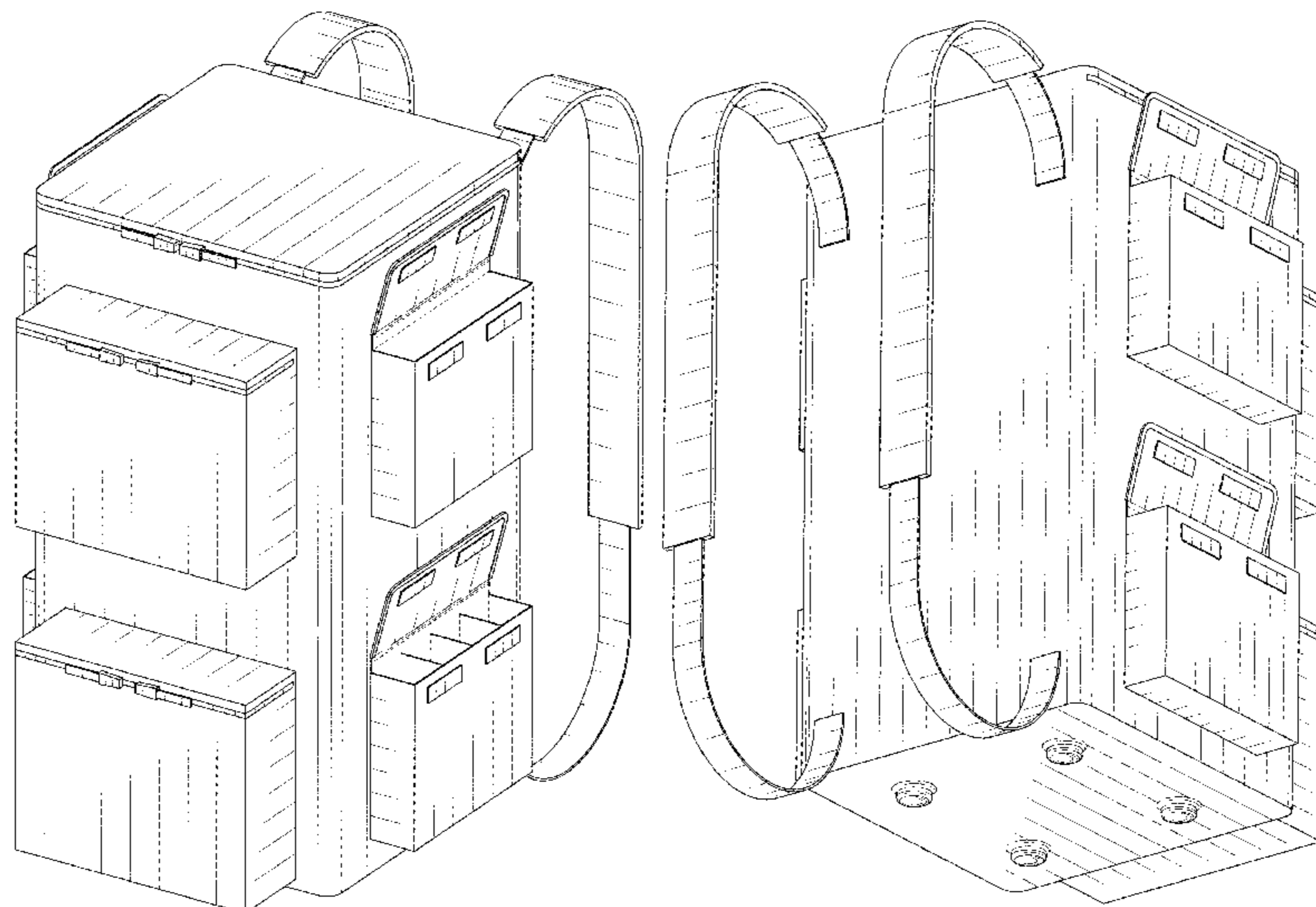
In the drawings, the broken lines illustrate portions of the model vehicle carrier backpack that form no part of the claimed design.

(56) **References Cited**

U.S. PATENT DOCUMENTS

3,921,867 A \* 11/1975 Farnbach ..... A45F 3/10  
 D3/216  
 4,096,978 A \* 6/1978 Noice ..... A45F 3/04  
 D3/217  
 D407,214 S \* 3/1999 Chapman ..... D3/217

**1 Claim, 9 Drawing Sheets**



(56)

**References Cited**

U.S. PATENT DOCUMENTS

D947,524	S	*	4/2022	Tan	.....	A45C 7/0063
						D3/217
D968,075	S	*	11/2022	Liu	.....	D3/217
D970,299	S	*	11/2022	Munie	.....	D3/216
D982,311	S	*	4/2023	Xiong	.....	D3/217
D984,119	S	*	4/2023	De Abreu	.....	D3/217
D993,611	S	*	8/2023	Zhou	.....	D3/217
D1,022,444	S	*	4/2024	Li	.....	D3/217
D1,031,250	S	*	6/2024	Xie	.....	D3/217
D1,059,813	S	*	2/2025	Li	.....	D3/217
2014/0151424	A1	*	6/2014	Hexels	.....	A45F 3/06
						224/637

OTHER PUBLICATIONS

HobbyKing Daily—TrackStar  $\frac{1}{10}$  SCT Back Pack Bag, available at [youtube.com](https://www.youtube.com/watch?v=ck16NC3kryA), dated May 26, 2013 [online], site visited May 8, 2025, available from the internet URL: <https://www.youtube.com/watch?v=ck16NC3kryA> (Year: 2013).\*

Backpack, available at [marlondoleather.com](https://www.marlondoleather.com), earliest customer review date Apr. 17, 2017 [online], site visited May 8, 2025, available from the internet URL: <https://www.marlondoleather.com/products/backpack> (Year: 2017).\*

\* cited by examiner

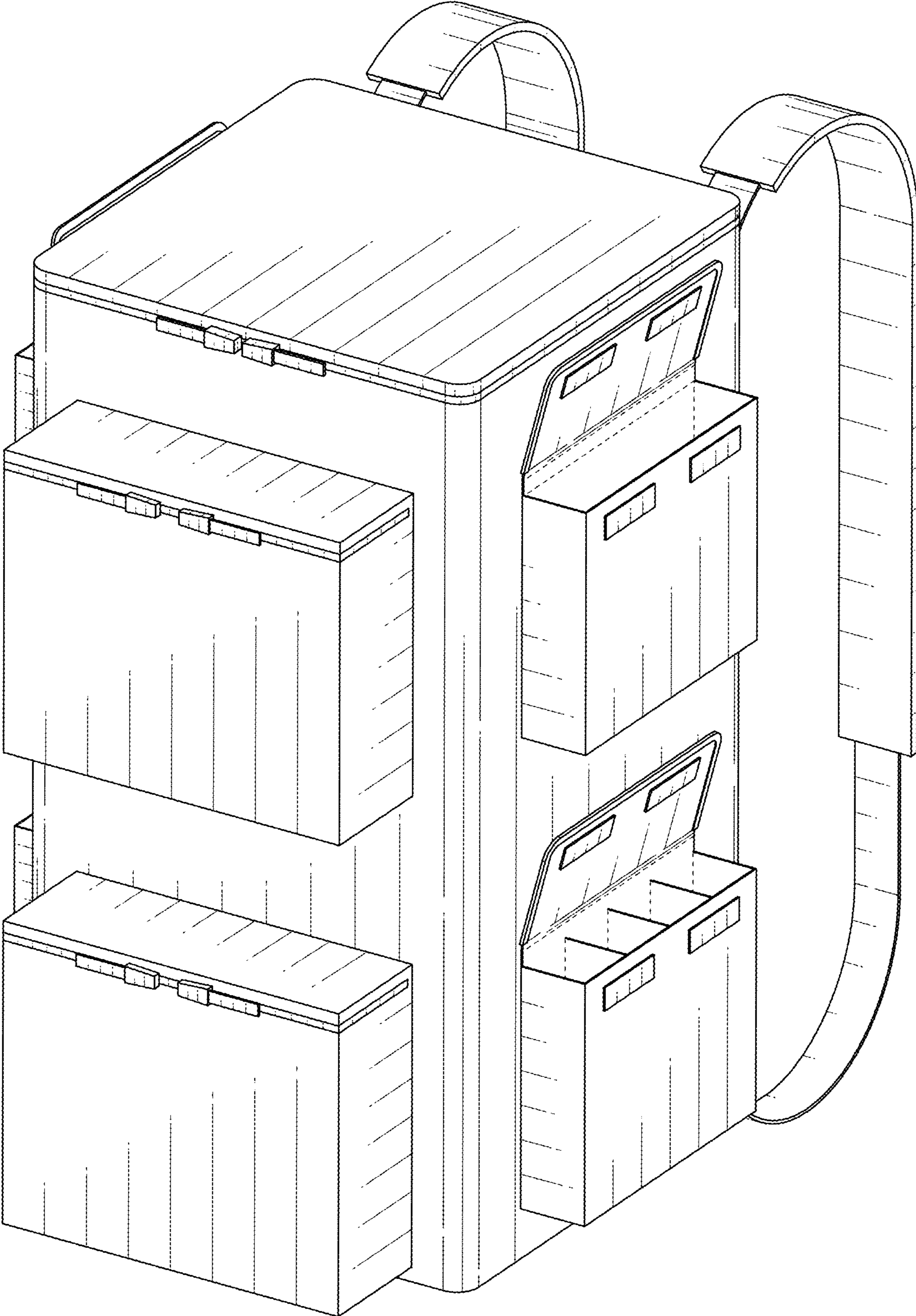


FIG. 1

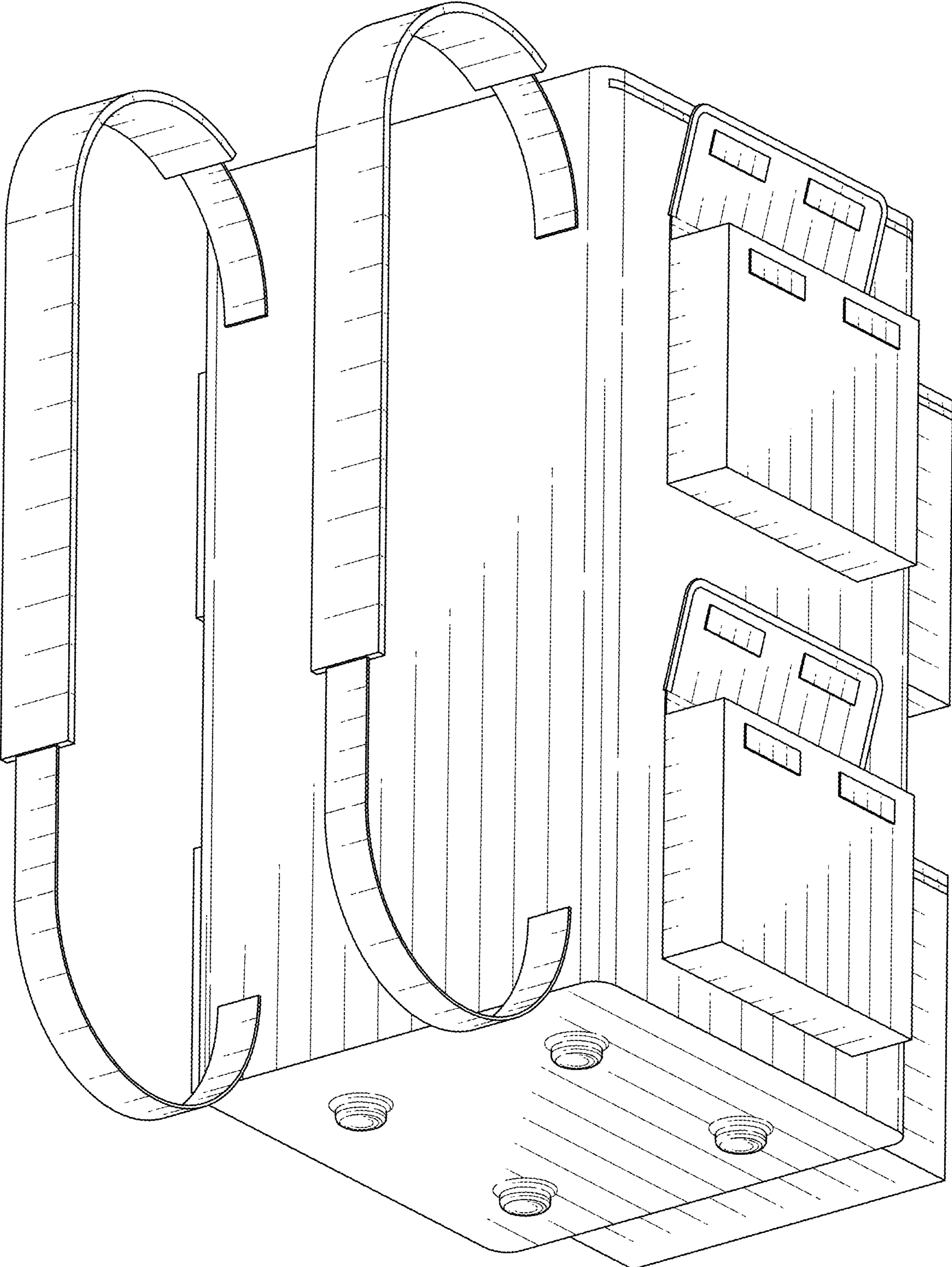


FIG. 2

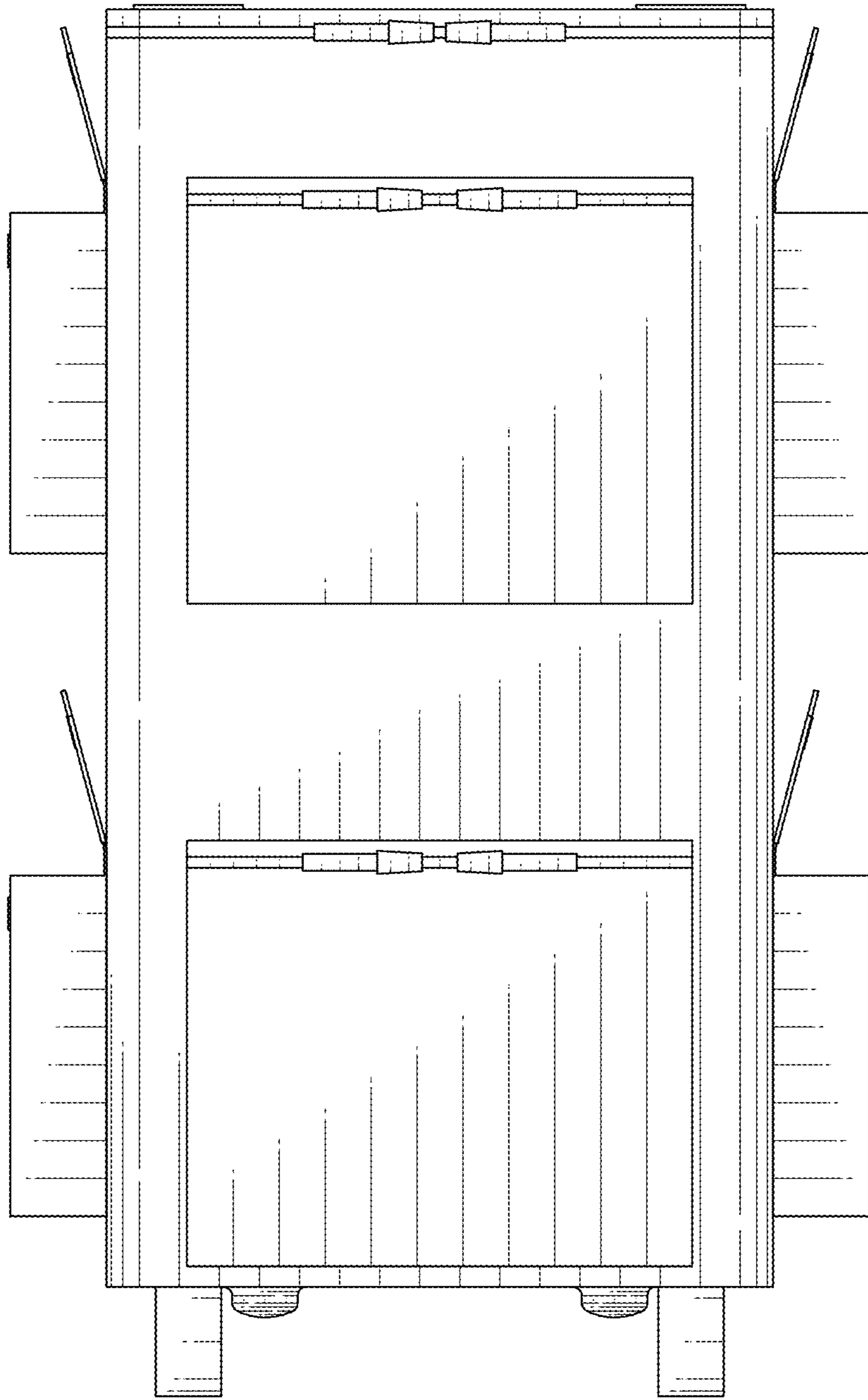


FIG. 3

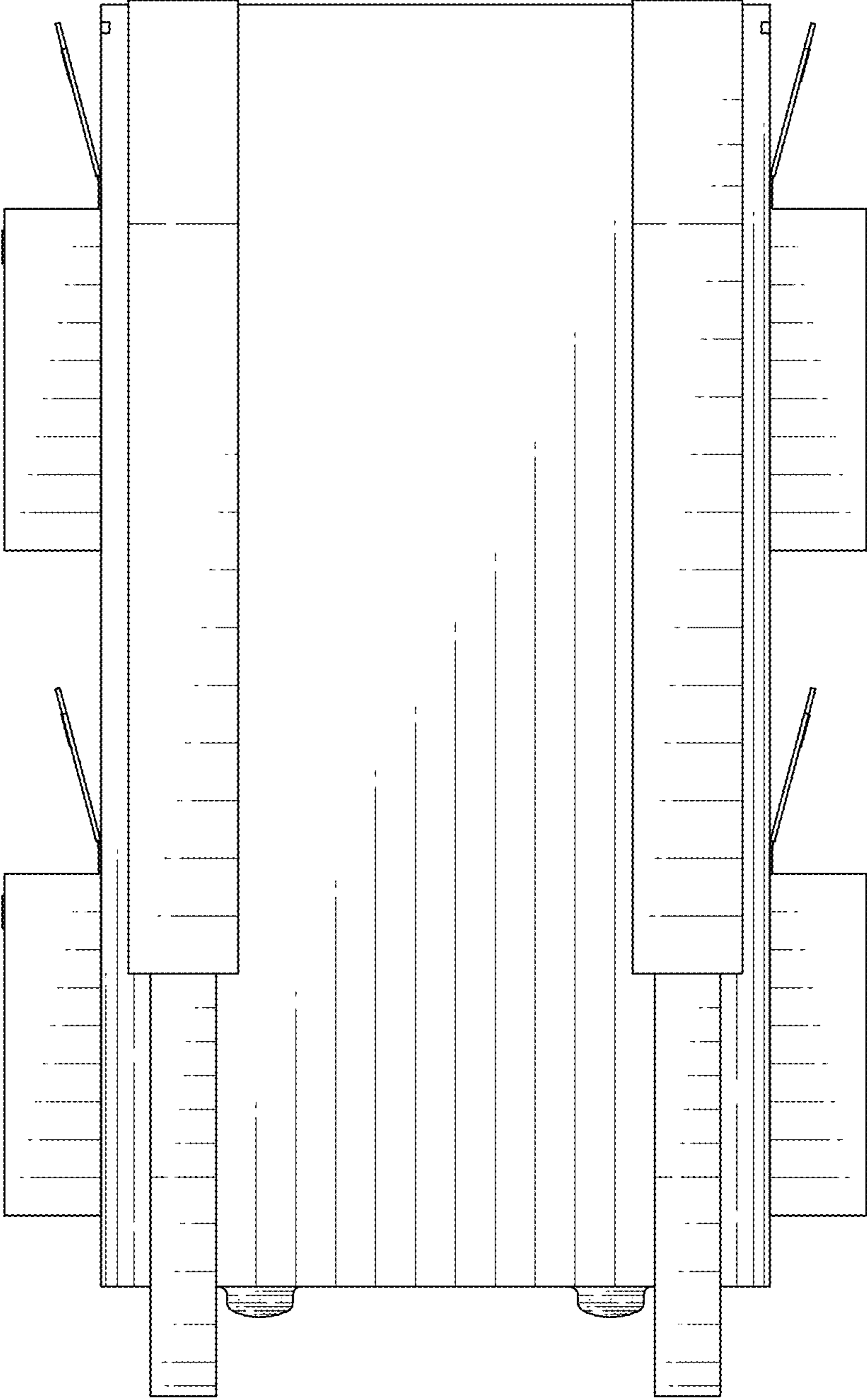


FIG. 4

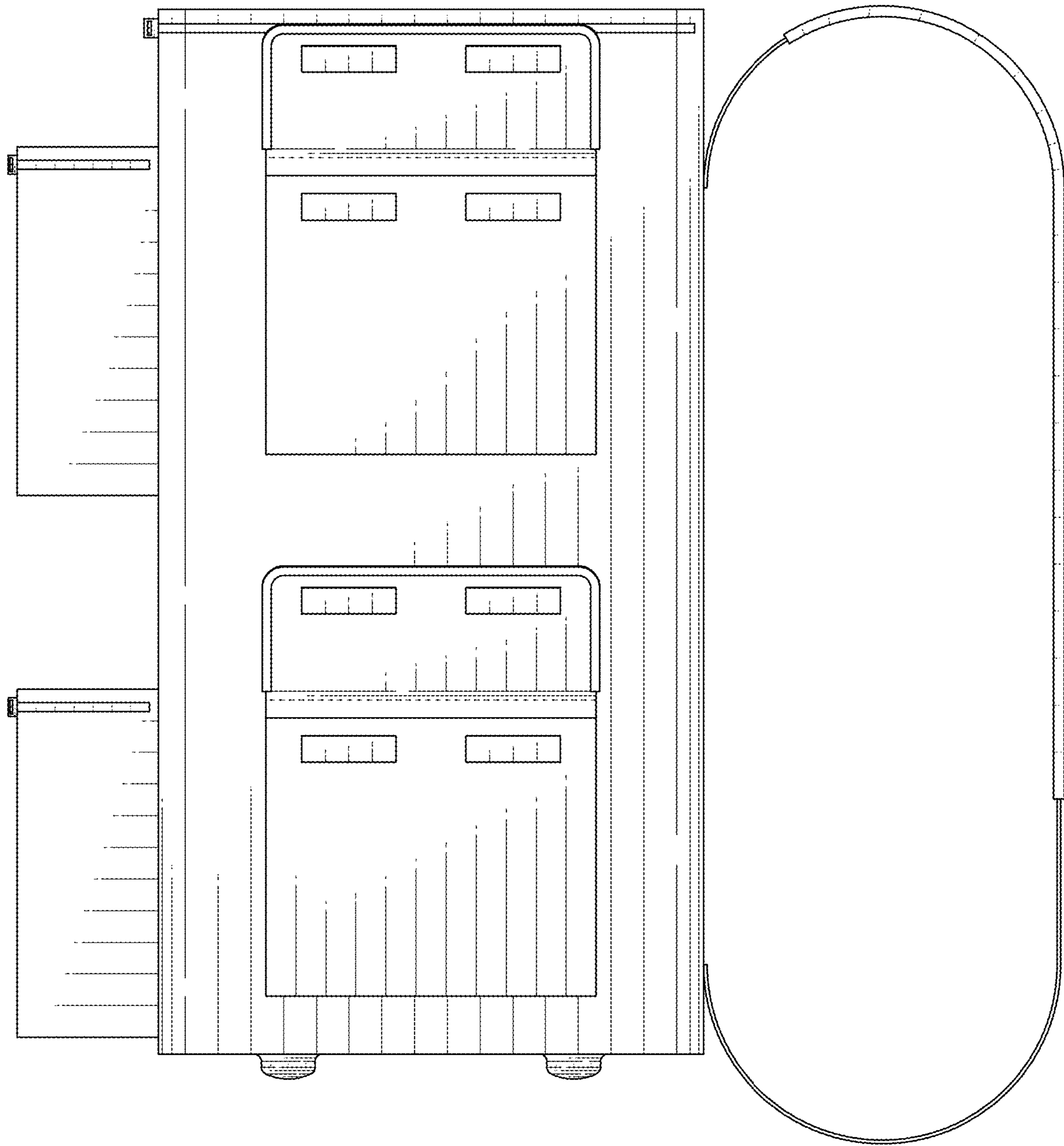


FIG. 5

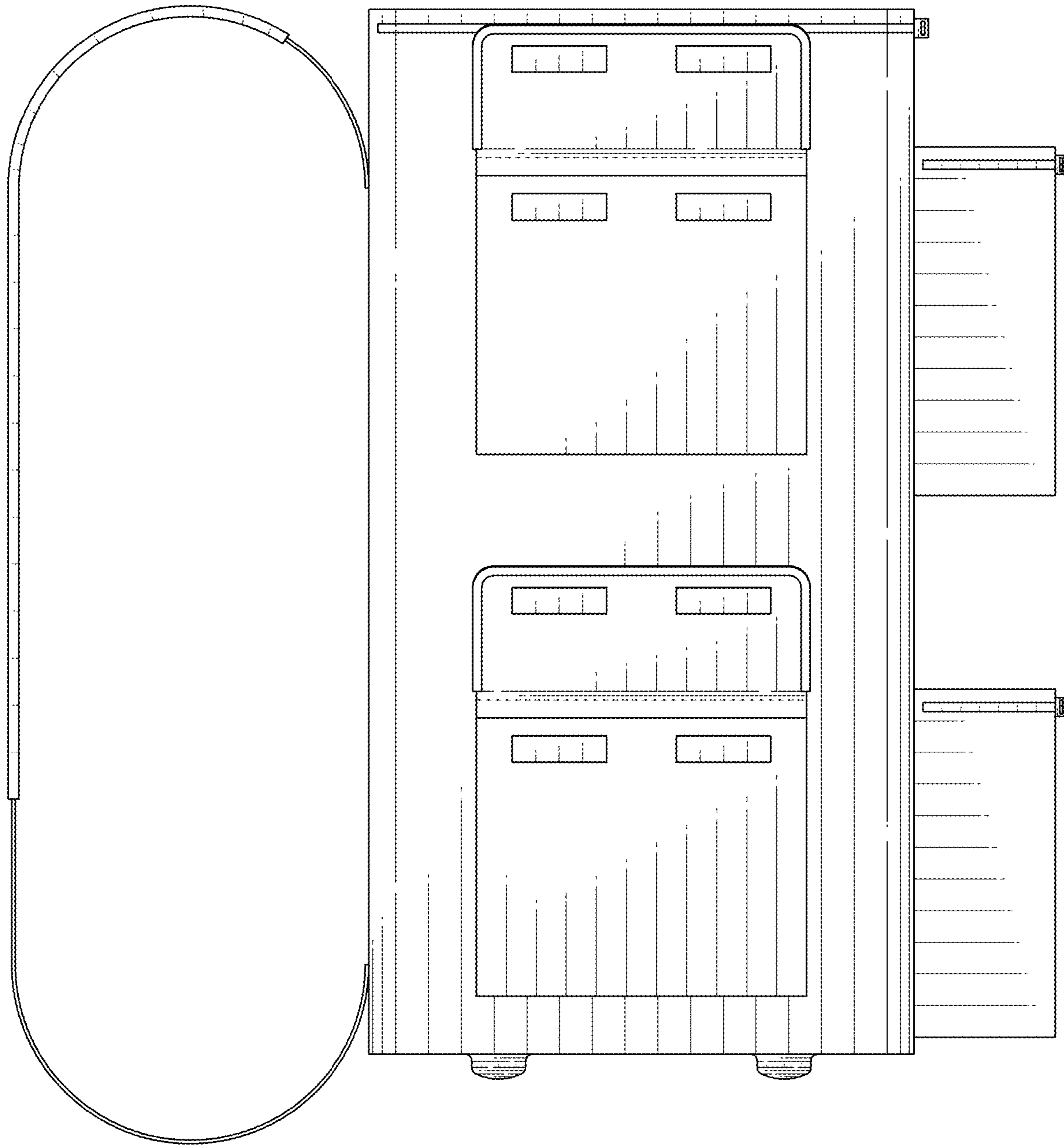


FIG. 6

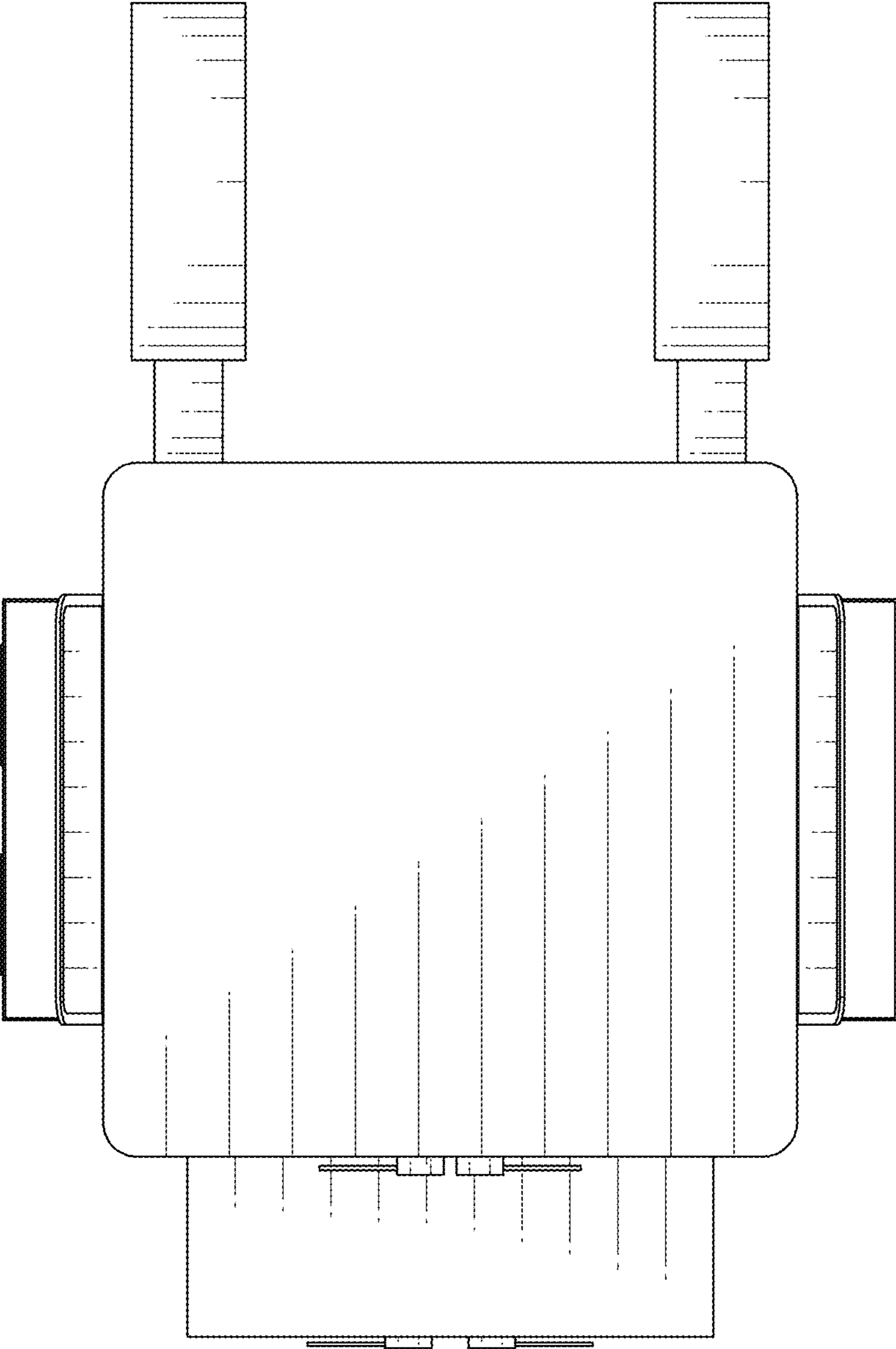


FIG. 7

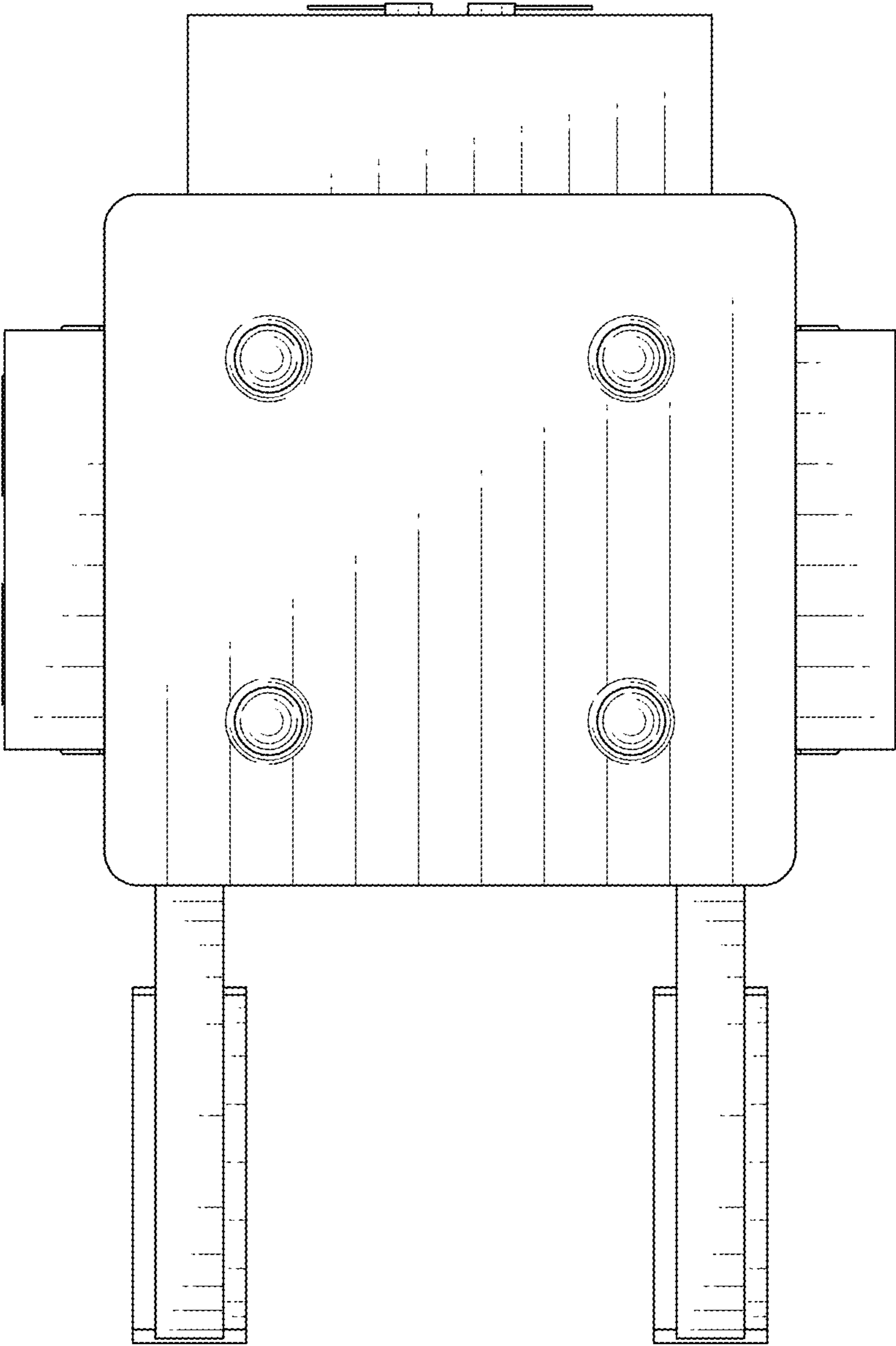


FIG. 8

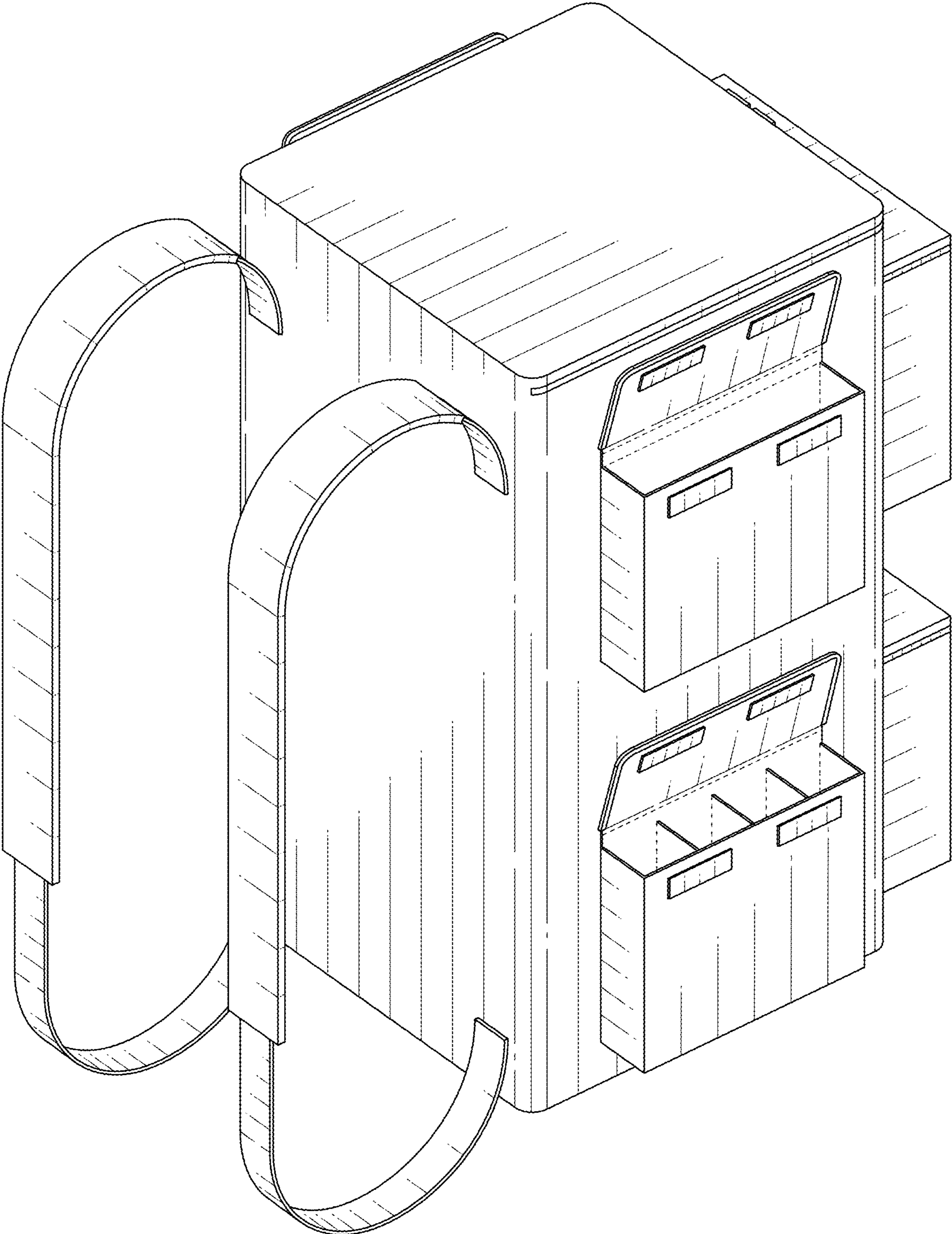


FIG. 9