



US0D1119063S

(12) **United States Design Patent**
Brunson

(10) **Patent No.:** **US D1,119,063 S**
(45) **Date of Patent:** **** Mar. 17, 2026**

- (54) **SMOKING PIPE DEVICE**
- (71) Applicant: **BIG 5 PROPERTIES INC.**,
Henderson, NV (US)
- (72) Inventor: **Michael A. Brunson**, Carlsbad, CA
(US)
- (73) Assignee: **BIG 5 PROPERTIES INC.**,
Henderson, NV (US)
- (**) Term: **15 Years**
- (21) Appl. No.: **29/871,827**
- (22) Filed: **Feb. 28, 2023**
- (51) **LOC (15) Cl.** **27-02**
- (52) **U.S. Cl.**
USPC **D27/170; D27/193**
- (58) **Field of Classification Search**
USPC D27/100, 101, 162, 163-170, 172,
D27/183-194; D23/360, 366; D24/110,
D24/110.5
CPC A24F 40/00; A24F 40/10; A24F 40/20;
A24F 40/40; A24F 40/42; A24F 40/44;
A24F 47/00; A24F 47/002; A24F 47/004;
A24F 47/006; A24F 47/008; A24F 15/01;
A24F 15/015; A61M 15/06
See application file for complete search history.

D945,061	S	*	3/2022	Ou	D27/167
D1,001,362	S	*	10/2023	Ou	D27/194
D1,002,928	S	*	10/2023	Ou	D27/193
D1,002,929	S	*	10/2023	Ou	D27/193
D1,005,575	S	*	11/2023	Ou	D27/193
D1,010,212	S	*	1/2024	Ou	D27/193
D1,026,307	S	*	5/2024	Daily	D27/162
2016/0235118	A1	*	8/2016	Riederer	A24F 7/00

(Continued)

FOREIGN PATENT DOCUMENTS

CN	305410171	*	10/2019
CN	307534183	*	9/2022
GB	6130955	*	4/2021

OTHER PUBLICATIONS

Amazon.com_ 5Pcs Reusable W'cked Glass Filter Tips, posted Aug. 11, 2020, [retrieved Jul. 9, 2025]. Retrieved from internet: <https://www.amazon.com/Reusable-Wcked-Rolling-Mouthpieces-Frosted/dp/B08FMWB6Y3> (Year: 2020).*

(Continued)

Primary Examiner — Amber R Stiles
Assistant Examiner — Karen M. Jones
(74) *Attorney, Agent, or Firm* — Allison M. Corder

(57) **CLAIM**

The ornamental design for a smoking pipe device, as shown and described.

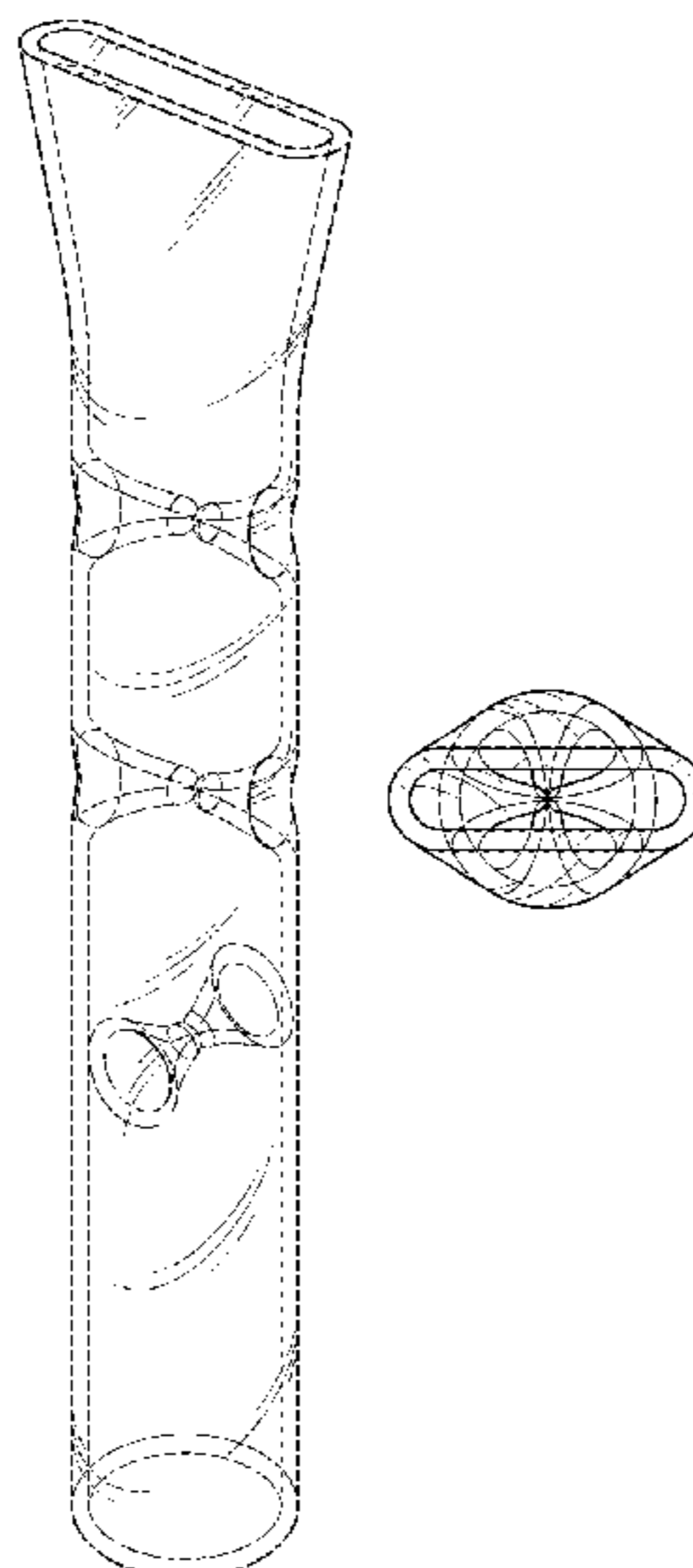
DESCRIPTION

FIG. 1 is a perspective view of a smoking pipe device showing my new design.
FIG. 2 is a front side view thereof.
FIG. 3 is a rear side view thereof.
FIG. 4 is a left side view thereof.
FIG. 5 is a right side view thereof.
FIG. 6 is a top view thereof; and,
FIG. 7 is a bottom view thereof.

1 Claim, 4 Drawing Sheets

(56) **References Cited**
U.S. PATENT DOCUMENTS

3,137,303	A	*	6/1964	Shaw	A24F 13/06 131/179
3,236,243	A	*	2/1966	Robins	A24F 13/04 131/210
D799,748	S	*	10/2017	Freese	D27/170
D799,749	S	*	10/2017	Freese	D27/170
D815,348	S	*	4/2018	Coghlan	D27/194
D815,350	S	*	4/2018	Coghlan	D27/194
D838,900	S	*	1/2019	Freese	D27/170
D897,840	S	*	10/2020	Ou	D27/167



(56)

References Cited

U.S. PATENT DOCUMENTS

2018/0007954 A1* 1/2018 Mishra B29C 45/0001
2021/0352959 A1* 11/2021 Ou C03B 37/01237
2022/0000171 A1* 1/2022 Lalezadeh A24D 3/185
2022/0000172 A1* 1/2022 Bemak A24F 13/02

OTHER PUBLICATIONS

Amazon.com_ AOMI_Reusable Glass Tips Filter Flat Mouthpiece, posted Oct. 6, 2020, [retrieved Jul. 9, 2025]. Retrieved from internet: <https://www.amazon.com/Reusable-Rolling-Cigarette-Mouthpiece-Cigarettes/dp/B08KR9YW17> (Year: 2020).*

Amazon.com_ Reusable Premium Quality Glass Cigarette Rolling Filter Tips Mouthpieces, posted May 11, 2021, [retrieved Jul. 9, 2025]. Retrieved from internet: <https://www.amazon.com/Reusable-Premium-Cigarette-Mouthpieces-Cigarettes/dp/B09WRFXC4F/> (Year: 2021).*

Terp Booster_Wayback, posted Mar. 22, 2024, [retrieved from Wayback Machine Jul. 9, 2025]. Retrieved from internet: <https://web.archive.org/web/20240322001837/https://www.terp-booster.com/> (Year: 2024).*

* cited by examiner

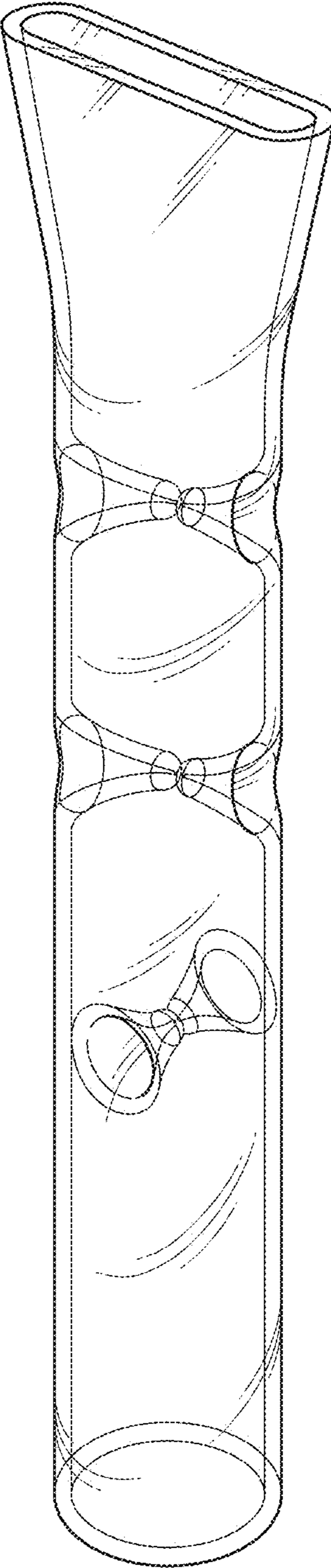


FIG. 1

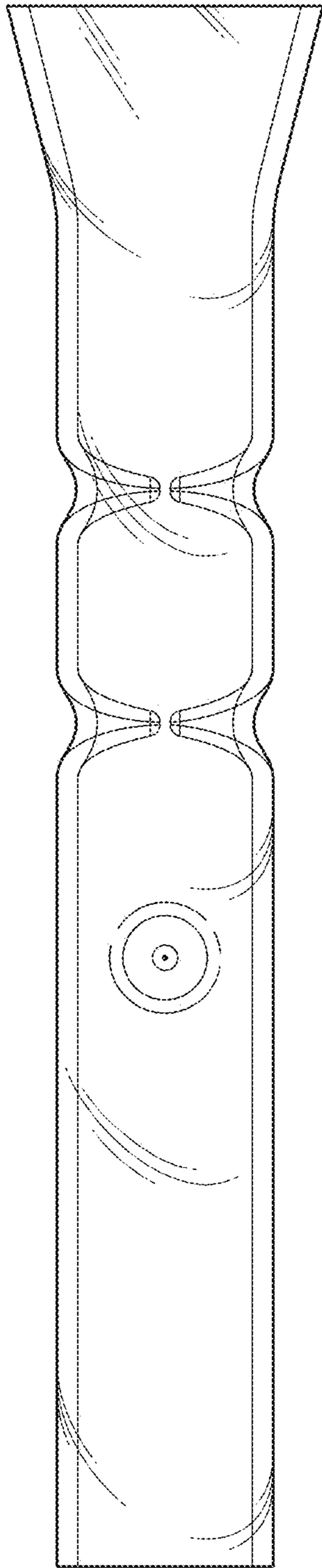


FIG. 2

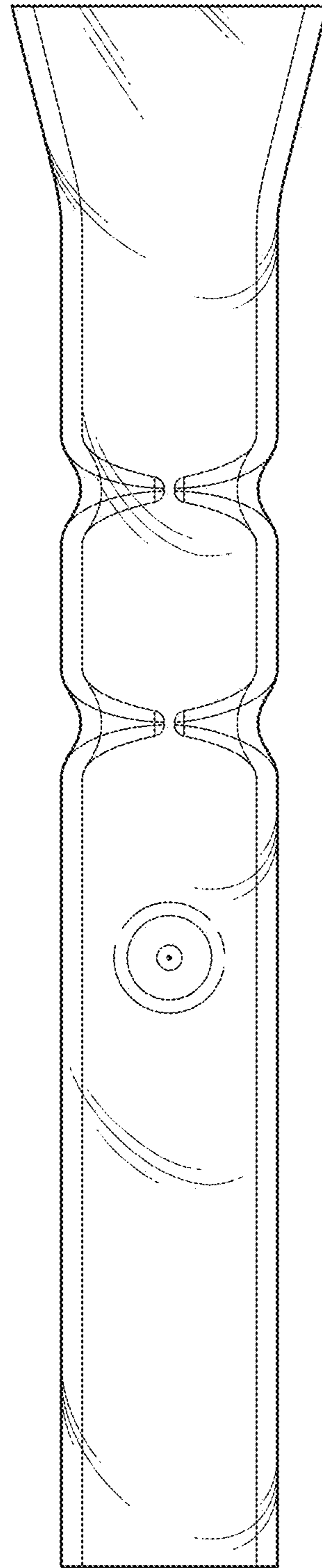


FIG. 3

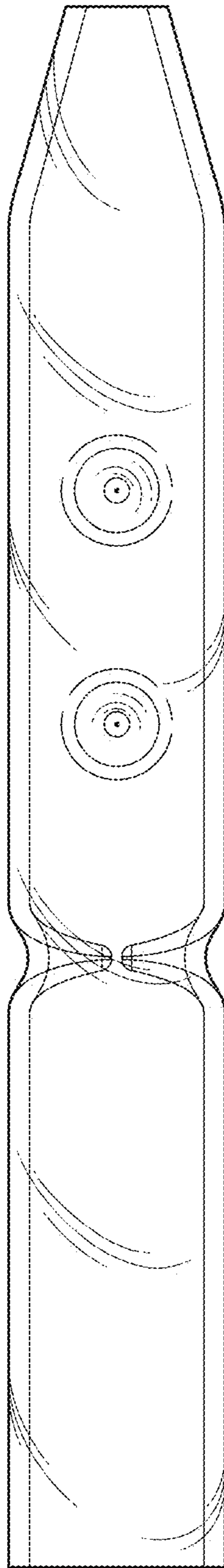


FIG. 4

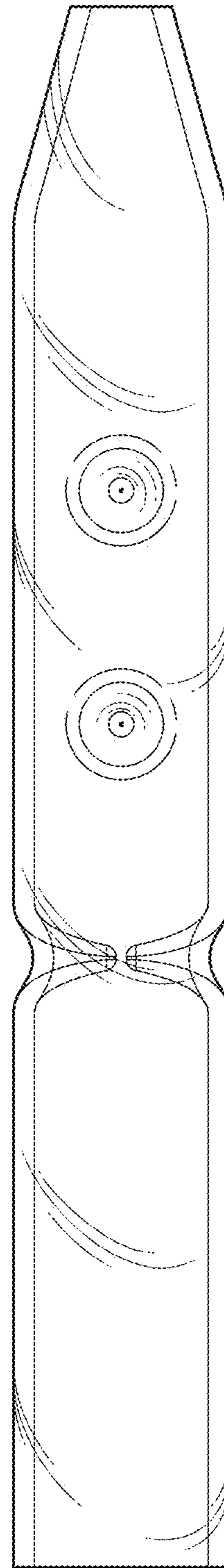


FIG. 5

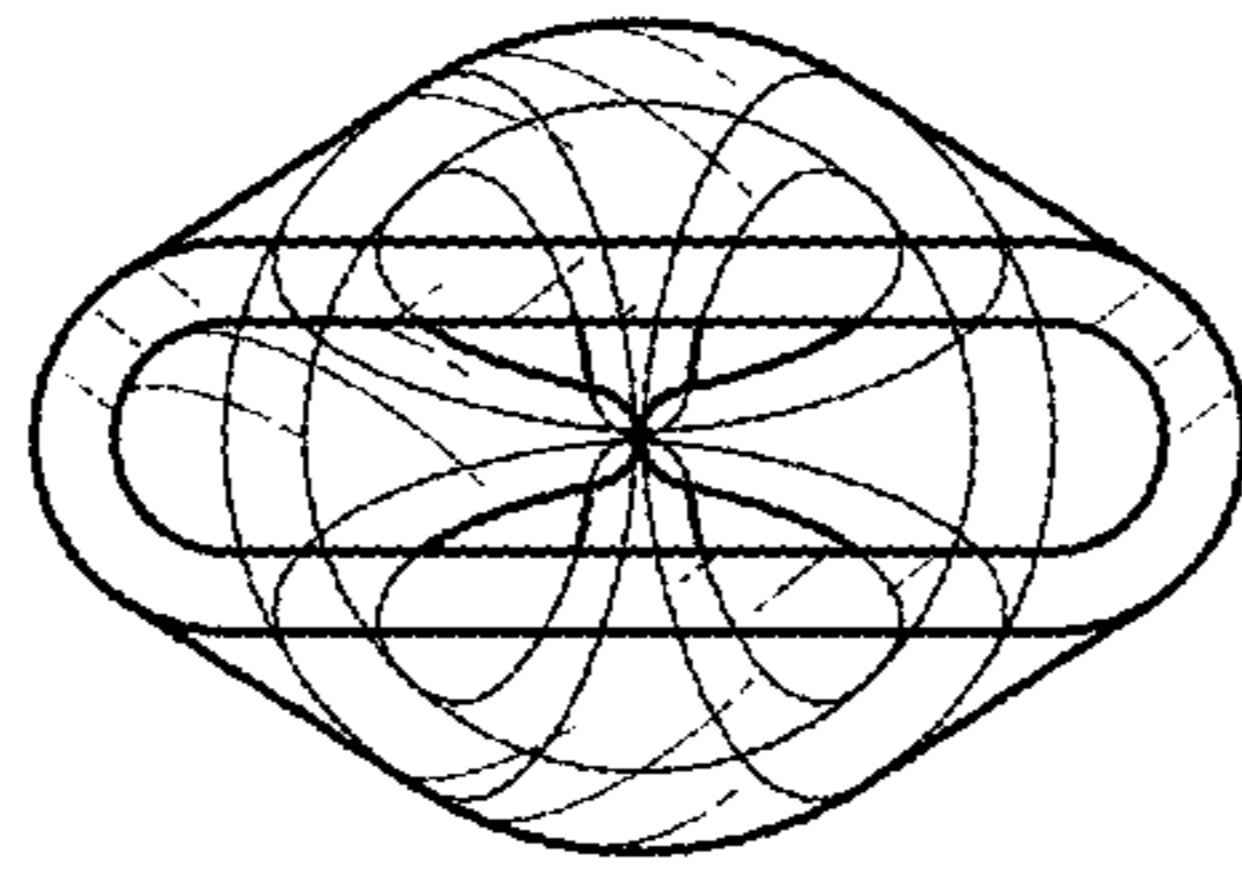


FIG. 6

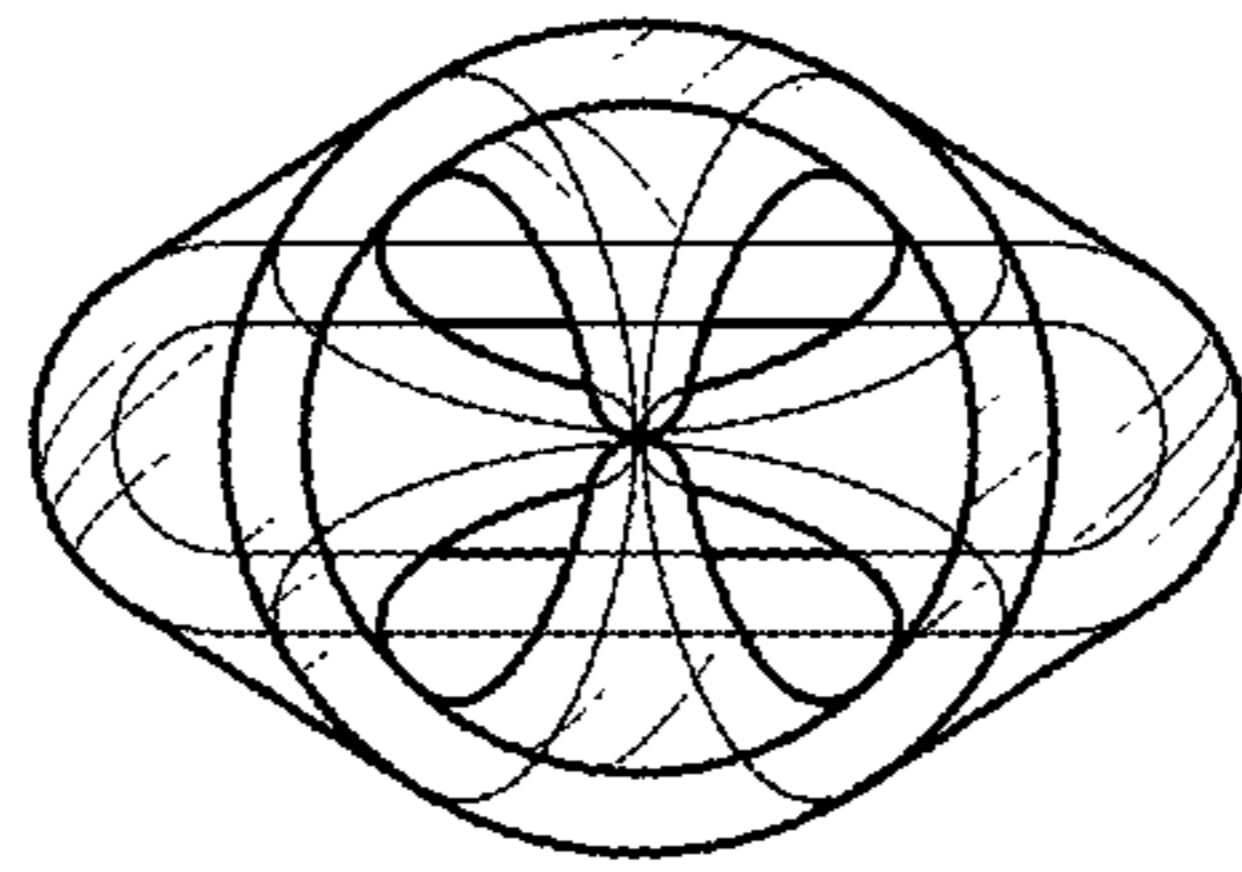


FIG. 7