



US0D1118834S

(12) **United States Design Patent** (10) **Patent No.:** **US D1,118,834 S**
Boggs et al. (45) **Date of Patent:** **** Mar. 17, 2026**

(54) **SPRAY GUN**

FOREIGN PATENT DOCUMENTS

(71) Applicant: **Thomas Pump & Machinery, Inc.**,
Slidell, LA (US)

CN 101920231 B 12/2010
CN 103528073 B 1/2014

(Continued)

(72) Inventors: **Joshua Michael Boggs**, Aledo, TX
(US); **James Samuel Thomas**,
Madisonville, LA (US); **Robert Tyler**
Keating, Covington, LA (US); **Byron**
Cole Slaughter, Grandbury, TX (US);
Kristopher Neil McDuffie, Robert, LA
(US)

OTHER PUBLICATIONS

Cars With Keav_Youtube, Date first available May 8, 2023[online],
[retrieved Aug. 21, 2025]. <https://www.youtube.com/watch?v=KmBSvBTFgGw> (Year: 2023).*

(Continued)

(73) Assignee: **Thomas Pump & Machinery, Inc.**,
Slidell, LA (US)

Primary Examiner — Calvin E Vansant
Assistant Examiner — Kyle A Edelmaier

(74) *Attorney, Agent, or Firm* — Banner & Witcoff, Ltd.

(**) Term: **15 Years**

(21) Appl. No.: **29/862,103**

(57) **CLAIM**

(22) Filed: **Dec. 6, 2022**

The ornamental design for a spray gun as shown and described.

(51) **LOC (15) Cl.** **23-01**

(52) **U.S. Cl.**
USPC **D23/226**

(58) **Field of Classification Search**
USPC D23/223, 224, 225, 226, 227, 228, 229
CPC B05B 7/02; B05B 7/12; B05B 12/002
See application file for complete search history.

DESCRIPTION

(56) **References Cited**

U.S. PATENT DOCUMENTS

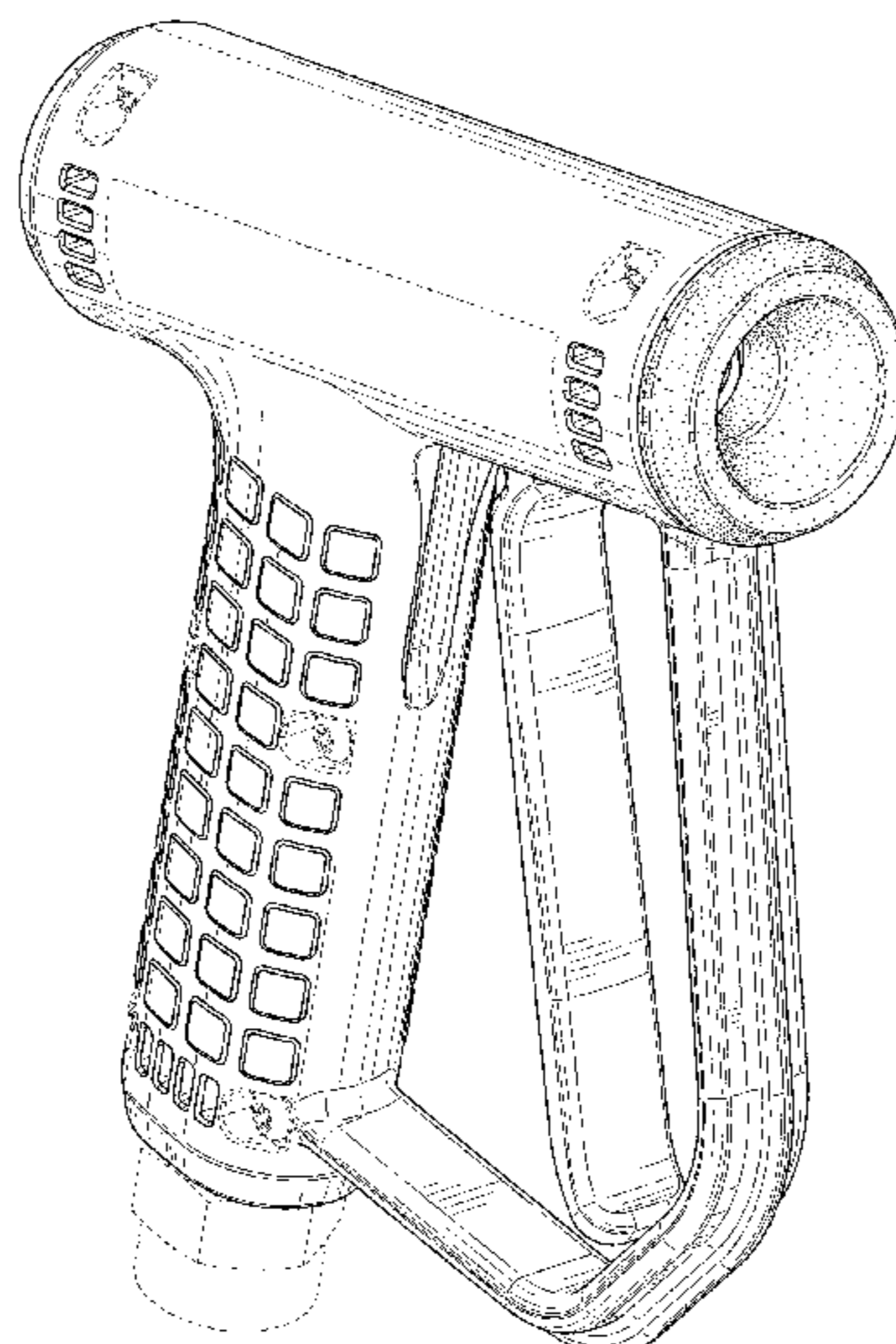
1,911,367	A *	5/1933	Kitto	B05B 7/068
					239/371
D115,884	S *	7/1939	Worthington	D23/225
D132,289	S *	5/1942	Thompson	D23/225
2,310,633	A	2/1943	Heimbürger		
D168,137	S *	11/1952	Andersson-Sason et al.	D23/225
2,910,248	A	10/1959	Kueter et al.		
3,113,725	A	12/1963	Packard et al.		
D200,937	S *	4/1965	Johnson	D23/225
D205,337	S *	7/1966	Sheldall	D23/225
D220,179	S *	3/1971	Farnsteiner	D23/225

(Continued)

FIG. 1 is a front isometric view of a spray gun showing our new design;
FIG. 2 is a rear isometric view thereof;
FIG. 3 is a front view thereof;
FIG. 4 is a rear view thereof;
FIG. 5 is a left side view thereof;
FIG. 6 is a right side view thereof;
FIG. 7 is a top view thereof; and,
FIG. 8 is a bottom view thereof.

The broken lines immediately adjacent to the shaded area define the bounds of the claimed design and form no part thereof. The contrast in shading represents a contrast in appearance only and does not represent any particular color, material, texture, or finish. The broken lines depicting the remainder of the spray gun form no part of the claimed design.

1 Claim, 8 Drawing Sheets



(56)

References Cited

U.S. PATENT DOCUMENTS

D228,475 S * 9/1973 Fishbein D24/146
 D299,158 S 12/1988 Bender
 D326,138 S 5/1992 Clivio
 D341,872 S * 11/1993 Anderson D23/225
 D358,197 S * 5/1995 Brite D23/225
 D383,522 S 9/1997 Guo
 D422,055 S 3/2000 Stasny et al.
 D443,675 S 6/2001 Howard et al.
 D463,509 S 9/2002 Huang
 D489,791 S 5/2004 Chen
 D489,792 S * 5/2004 Chen D23/223
 D509,560 S * 9/2005 Hubmann D23/213
 D539,494 S 3/2007 Carpanese
 D551,738 S 9/2007 Tanner
 7,389,949 B2 6/2008 Marchand et al.
 D574,927 S 8/2008 Larsen
 7,445,167 B1 11/2008 Chen
 7,516,910 B1 4/2009 DeWall et al.
 D615,157 S 5/2010 Chen
 D615,614 S * 5/2010 Tullney D23/225
 D636,848 S 4/2011 Fontaine
 D726,982 S 4/2015 Campelli
 D767,092 S 9/2016 Chen
 D767,093 S 9/2016 Chen
 D768,263 S 10/2016 Laber
 9,901,943 B2 2/2018 Schmalz
 D824,492 S 7/2018 Chen
 D827,775 S * 9/2018 Schneider D23/213
 D834,144 S 11/2018 Mangold
 D939,724 S 12/2021 Hu
 D940,892 S 1/2022 Shen
 D954,160 S 6/2022 He
 D985,074 S 5/2023 Lin
 D1,089,538 S * 8/2025 Zheng D23/225
 2007/0039570 A1 2/2007 Wilfert

2009/0050716 A1 2/2009 Binder et al.
 2016/0045924 A1 2/2016 Lin et al.
 2016/0101442 A1 4/2016 Issler
 2020/0345925 A1 11/2020 Thiessies

FOREIGN PATENT DOCUMENTS

DE 7514499 U 5/1975
 DE 3720241 C2 3/1988
 DE 19650379 A1 6/1998
 DE 202007006542 U1 7/2007
 GB 1160957 A 8/1969

OTHER PUBLICATIONS

Thomas_pump_machinery1_Instagram, Date first available Mar. 9, 2023[online], [retrieved Aug. 21, 2025]. <https://www.instagram.com/p/Cpl6-miusVd/> (Year: 2023).*

Thomas_pump_machinery2_Instagram, Date first available Jan. 31, 2024[online], [retrieved Aug. 21, 2025]. <https://www.instagram.com/reel/C2xs0PLvWVH/> (Year: 2024).*

Dudua Amazon, Date first available Feb. 17, 2022[online], [retrieved Aug. 21, 2025]. <https://www.amazon.co.uk/Pressure-Washer-Water-Nozzle-Release/dp/B09SPVNFBN> (Year: 2022).*

Thomas Pump Uses Less Water, available in twitter.com, announced Jan. 24, 2022 [online], [site visited May 19, 2023], Internet URL: https://twitter.com/thomas_pump/status/1485626997514592256?ext=HHwWglCz-cH4gJ4pAAAA (Year: 2022).

“Spray Guns,” suttner.com, retrieved Aug. 4, 2021, published date unknown, prior to Jul. 30, 2021, URL: <<https://suttner.com/products/spray-guns/>>.

“WaterBoss Spray Guns,” waterbossguns.com, retrieved Aug. 4, 2021, published date unknown, prior to Jul. 30, 2021, URL: <<https://waterbossguns.com/index.php/waterboss-online-store-2/WaterBoss-Spray-Guns-c39178167>>.

* cited by examiner

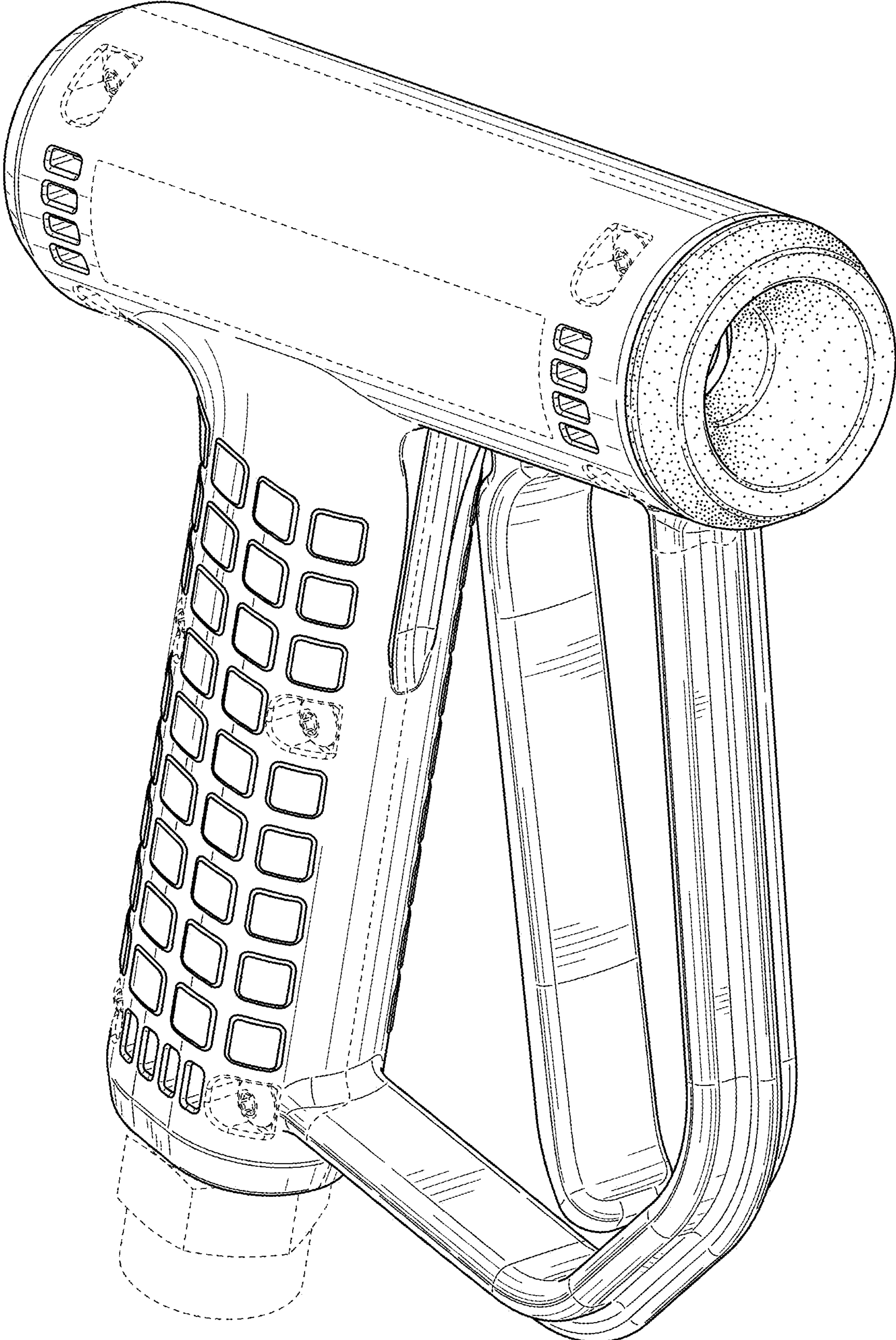


FIG. 1

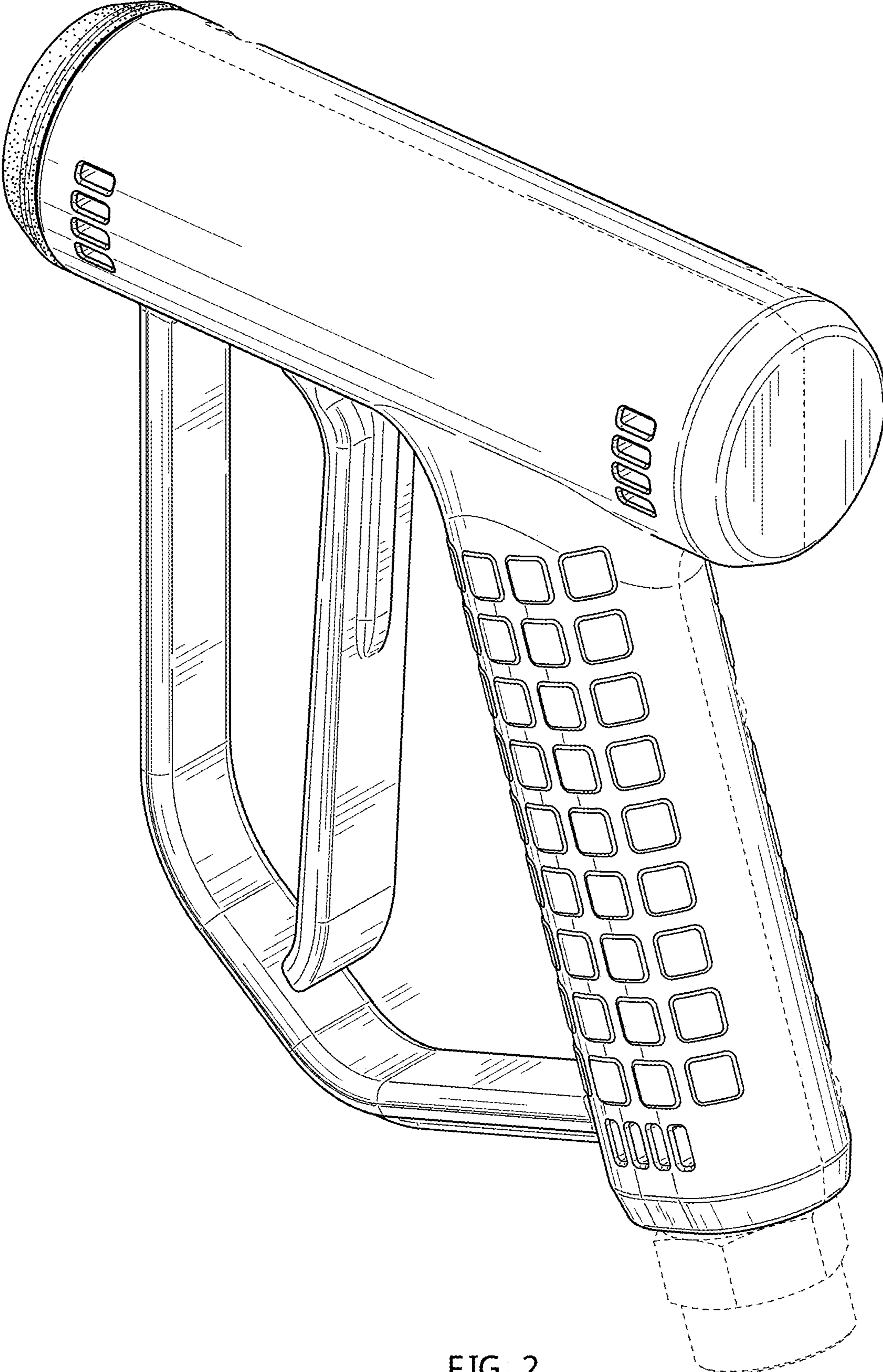


FIG. 2

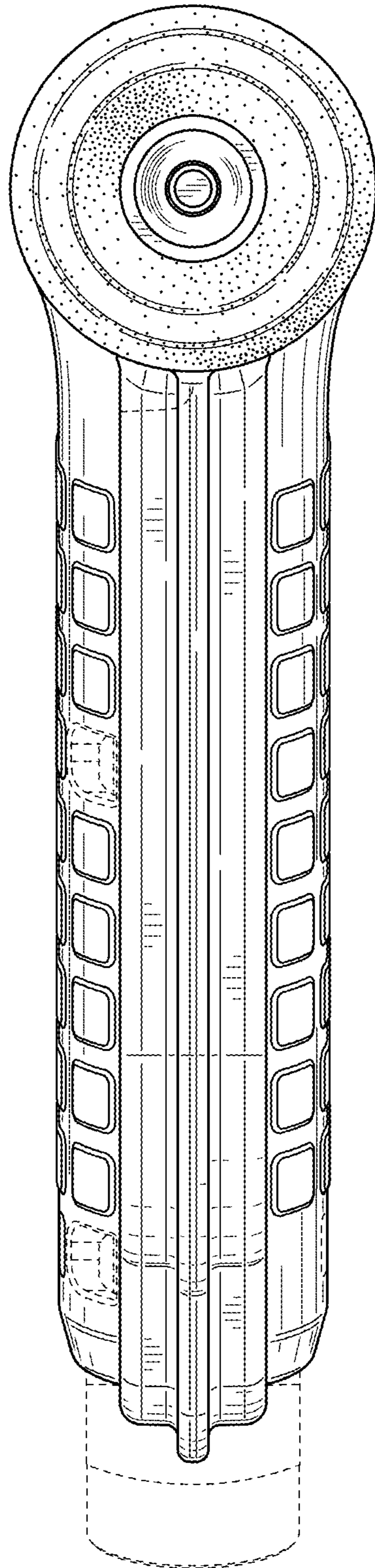


FIG. 3

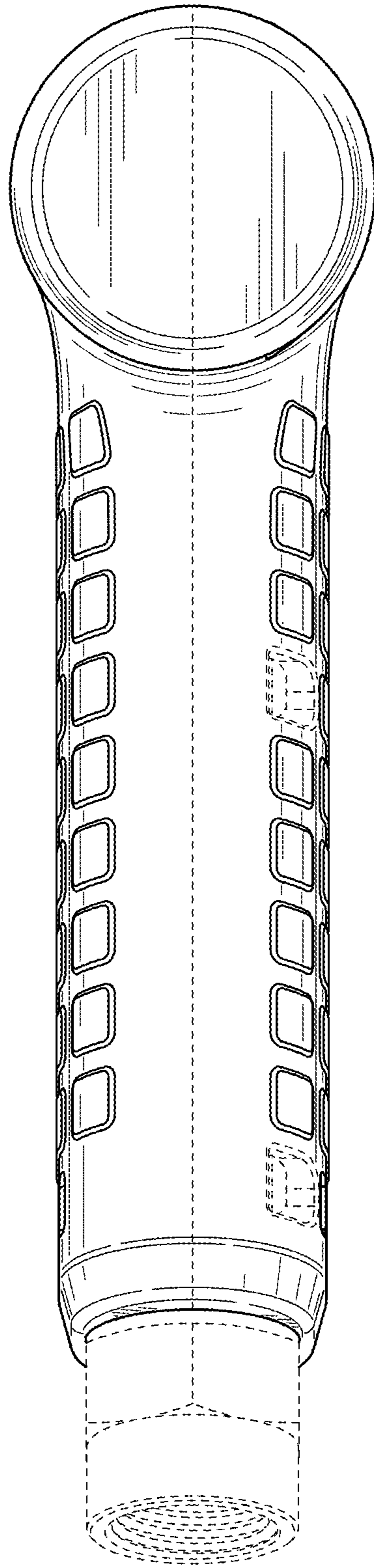


FIG. 4

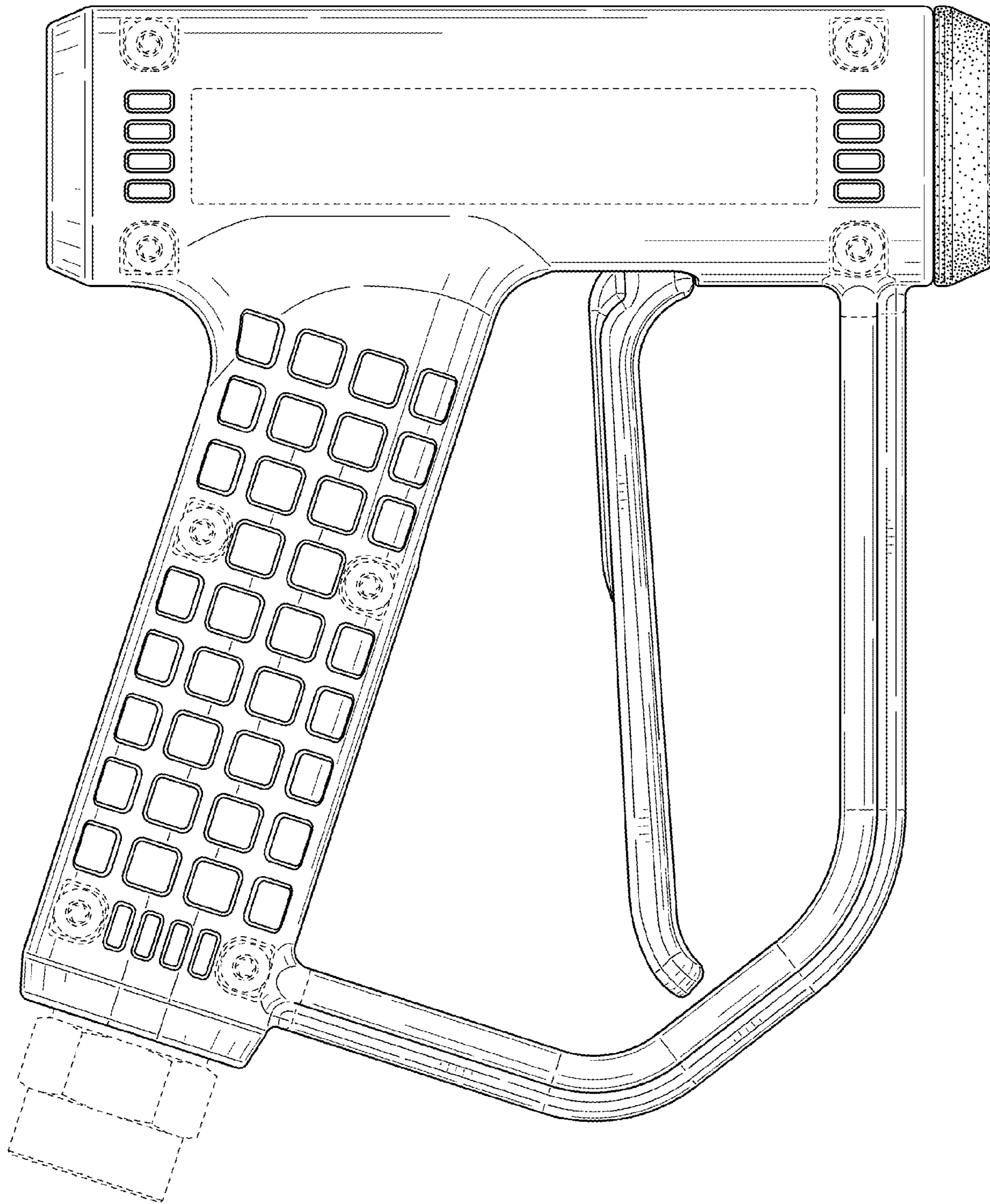


FIG. 5

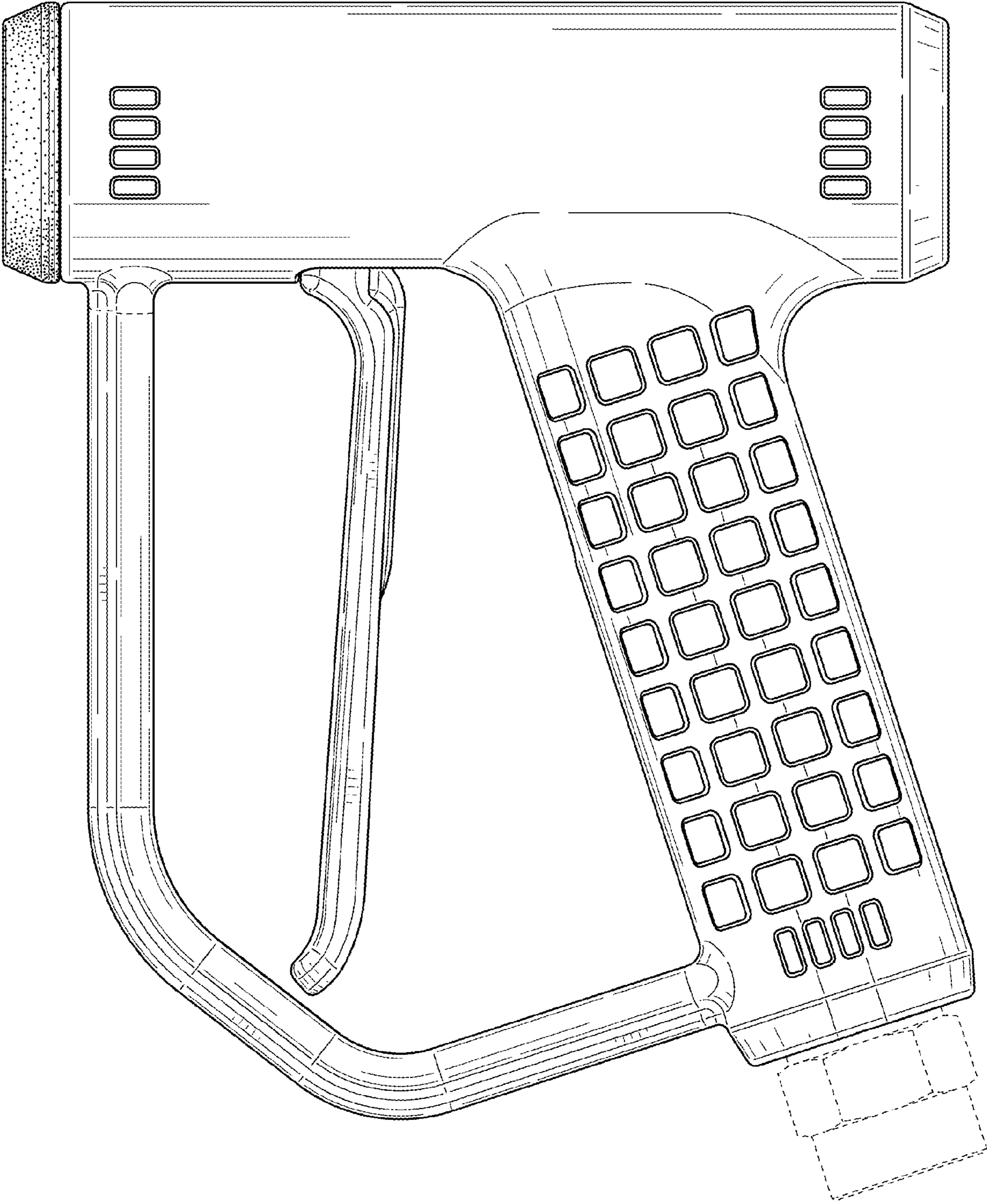


FIG. 6

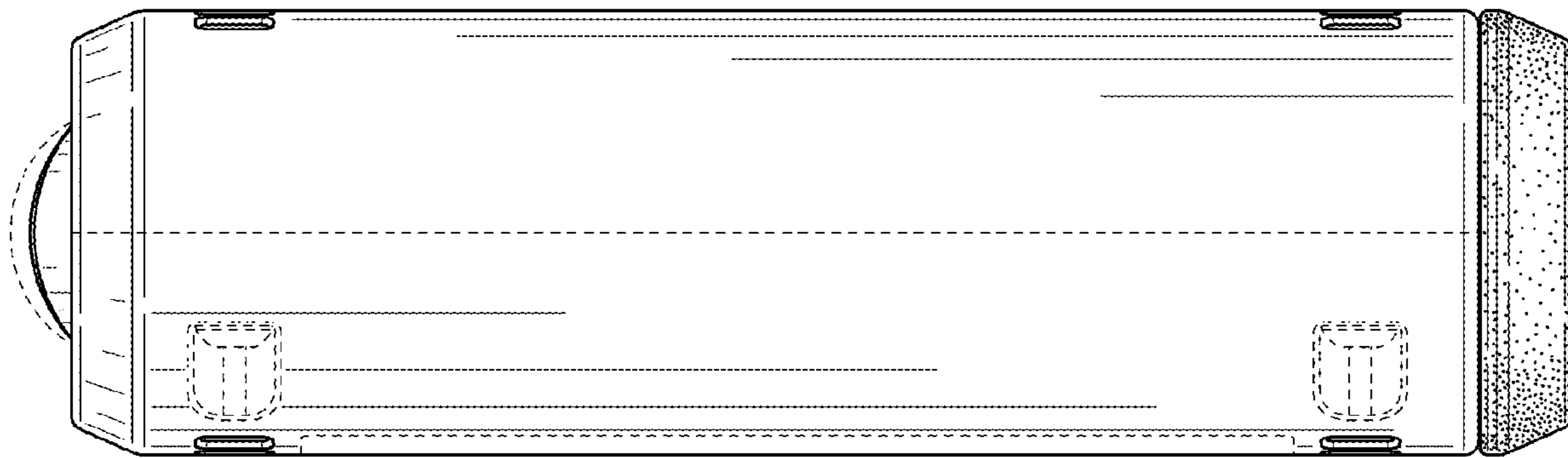


FIG. 7

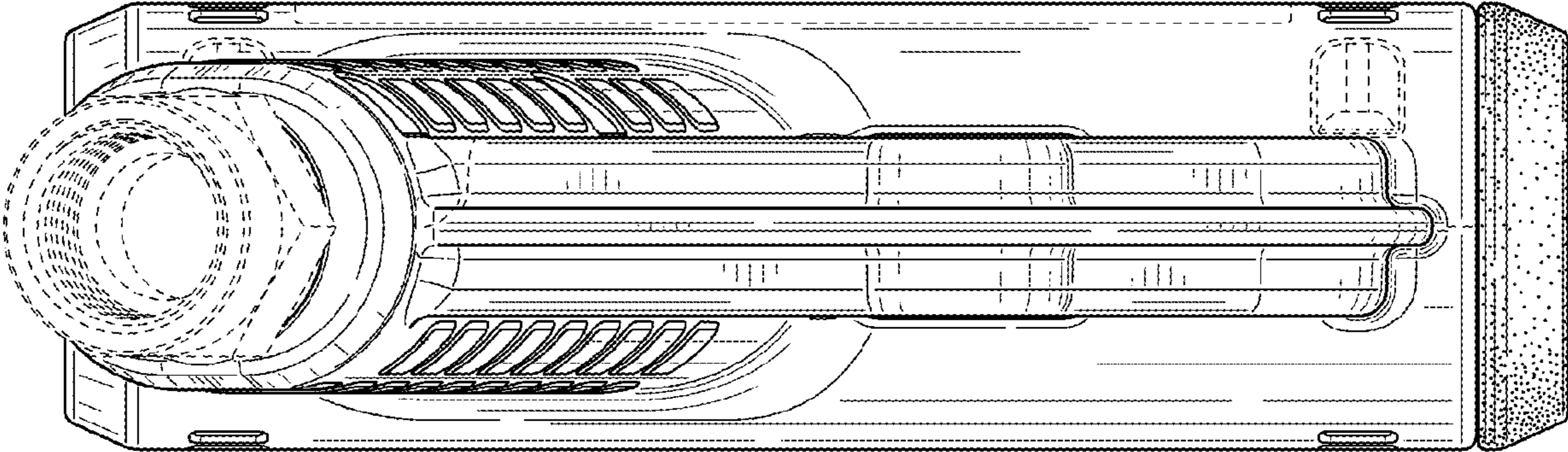


FIG. 8