



US0D1118802S

(12) **United States Design Patent** (10) **Patent No.:** **US D1,118,802 S**
Daugherty (45) **Date of Patent:** **** Mar. 17, 2026**

(54) **FIREARM SLIDE**
(71) Applicant: **Jeremy Daugherty**, Plano, TX (US)
(72) Inventor: **Jeremy Daugherty**, Plano, TX (US)
(**) Term: **15 Years**
(21) Appl. No.: **29/818,231**
(22) Filed: **Dec. 7, 2021**
(51) **LOC (15) Cl.** **22-01**
(52) **U.S. Cl.**
USPC **D22/108; D22/104**
(58) **Field of Classification Search**
USPC D22/100, 104, 108
CPC F41C 3/00; F41C 23/06; F41A 21/32
See application file for complete search history.

8,091,263 B1 * 1/2012 Palmer F41A 21/40
42/1.06
D687,508 S * 8/2013 Peterman D22/108
D760,859 S * 7/2016 Venegas D22/108
10,520,271 B2 * 12/2019 Barrett F41A 21/30
10,816,300 B2 * 10/2020 Griffiths F41A 21/36
D947,311 S * 3/2022 Bolt-Ray D22/108
D1,016,954 S * 3/2024 Krnežić D22/108
2014/0075800 A1 * 3/2014 Morris, Jr. F41A 21/36
42/1.06
2021/0231407 A1 * 7/2021 Salinas F41C 3/00

(56) **References Cited**

U.S. PATENT DOCUMENTS

2,322,370 A * 6/1943 Lance F41A 21/36
89/14.3
2,656,637 A * 10/1953 Richards F41A 21/42
89/14.3
3,202,056 A * 8/1965 Seeberger F41A 21/36
89/14.3
D279,812 S * 7/1985 Cellini 89/14.3
D280,655 S * 9/1985 Cellini 89/14.3
D285,235 S * 8/1986 Cellini 89/14.3
4,691,614 A * 9/1987 Leffel F41A 21/36
89/14.3
4,942,801 A * 7/1990 Schuemann F41A 21/28
89/14.3
5,123,328 A * 6/1992 Schuemann F41A 21/28
89/14.3
5,305,678 A * 4/1994 Talbot F41A 21/36
42/1.06
5,549,030 A * 8/1996 Lespron F41A 21/36
89/14.3
D444,786 S * 7/2001 Otomi D21/574
D532,072 S * 11/2006 Price D22/108

OTHER PUBLICATIONS

“Vulcan Machine Werks | Stacc Port Mod | 11 Minute Review”
[online]. Roger Barrera (QVO Tactical). [Published Jul. 11, 2021].
Retrieved from the Internet: <<https://www.youtube.com/watch?v=ARygmuerQw>>.*
“Barrel Porting—Enclosed Slides” [online]. Isotac Arms. [Retrieved
May 15, 2025]. Retrieved from the Internet: <<https://isotacarms.com/product/barrel-porting-all-models/>>.*

* cited by examiner

Primary Examiner — Mojtaba Tehrani
(74) *Attorney, Agent, or Firm* — Gurr & Brande, PLLC;
Robert A. Gurr

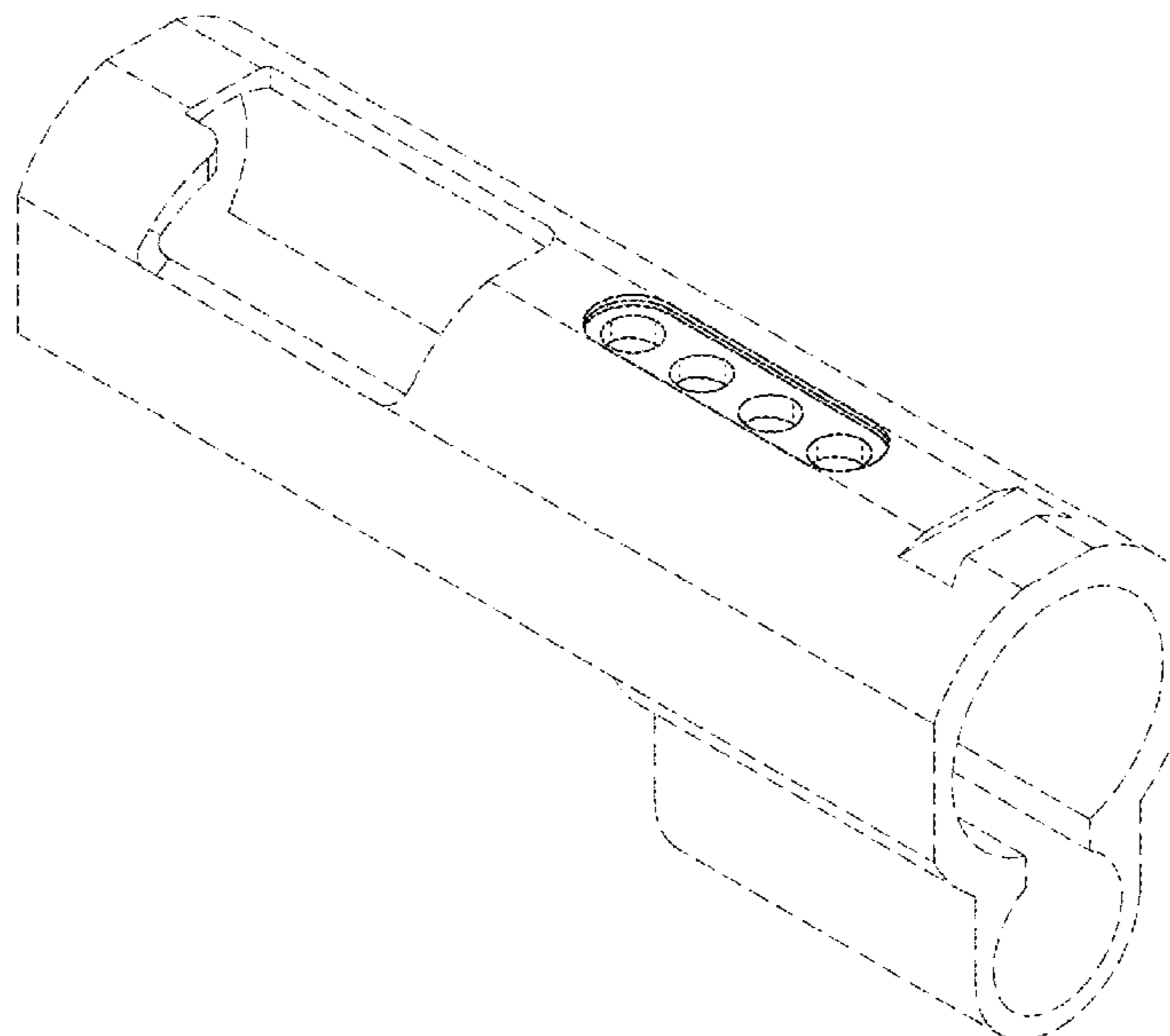
(57) **CLAIM**

The ornamental design for a firearm slide as shown and described.

DESCRIPTION

FIG. 1 is an isometric view of a firearm slide in accordance with the present application; and, FIG. 2 is a top plan view of the firearm slide. The broken lines in the figures represent unclaimed portions of the firearm slide only and form no part of the claimed design.

1 Claim, 2 Drawing Sheets



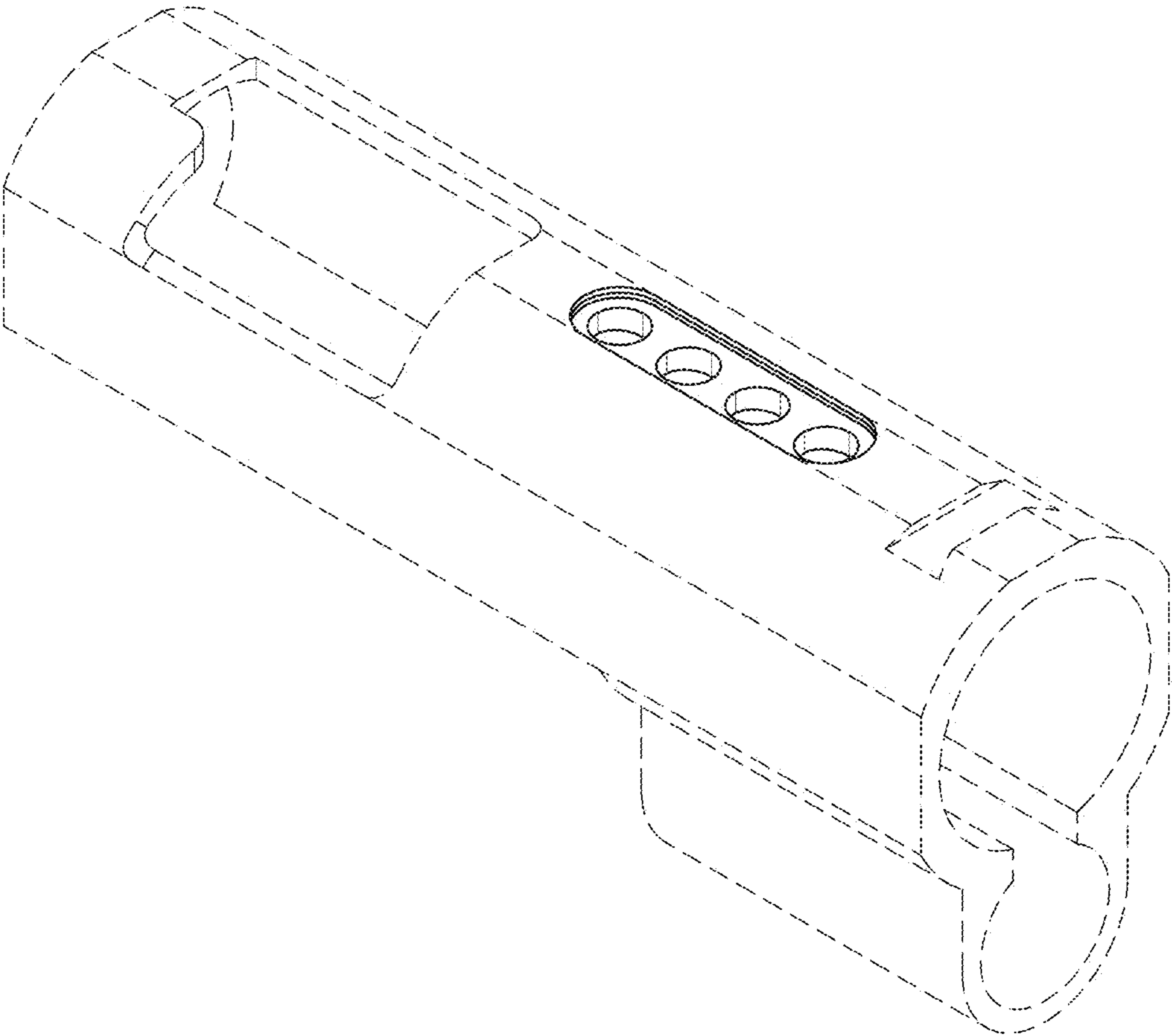


FIG. 1

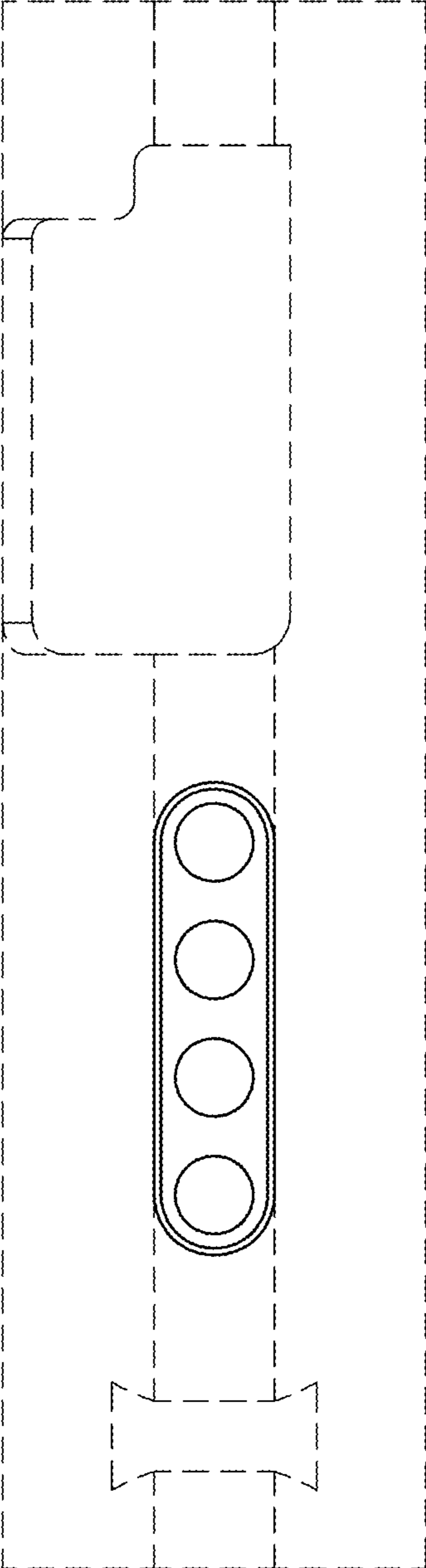


FIG. 2