



US0D1118777S

(12) **United States Design Patent** (10) **Patent No.:** **US D1,118,777 S**
Hagler et al. (45) **Date of Patent:** **** Mar. 17, 2026**

(54) **MODEL VEHICLE REAR SKID**
(71) Applicant: **TRAXXAS, L.P.**, McKinney, TX (US)
(72) Inventors: **Skylar Hagler**, Anna, TX (US); **Jory Sprowl**, Howe, TX (US); **Otto Karl Allmendinger**, Rowlett, TX (US); **Adam Cole Ewing**, McKinney, TX (US); **Kent Poteet**, Lucas, TX (US)

D488,756 S 4/2004 Gough
D488,758 S 4/2004 Gough
D508,668 S 8/2005 Marchese et al.
(Continued)

(73) Assignee: **TRAXXAS, L.P.**, McKinney, TX (US)
(**) Term: **15 Years**

FOREIGN PATENT DOCUMENTS

EM 015010398-0001 3/2023
EP 015065983-0015 * 7/2024
GB 6377235 * 7/2024

(21) Appl. No.: **29/908,135**
(22) Filed: **Jan. 11, 2024**
(51) **LOC (15) Cl.** **21-01**
(52) **U.S. Cl.**
USPC **D21/561**
(58) **Field of Classification Search**
USPC D21/424, 433, 434, 483, 533, 548, 549,
D21/550, 552, 561, 562, 563, 565, 581;
D12/171, 196
CPC A63H 17/262; A63H 17/26; A63H 17/00;
A63H 17/004; A63H 29/24; A63H
17/002; A63H 19/22
See application file for complete search history.

OTHER PUBLICATIONS

It's Not Fake or a Rumor! Traxxas Maxx Slash 6S, as shown in
www.YouTube.com, Feb. 27, 2024. (Year: 2024).*
(Continued)

Primary Examiner — George J Ulsh
Assistant Examiner — Gregory G Mclemore
(74) *Attorney, Agent, or Firm* — Daryl R. Wright; Greg Carr

(57) **CLAIM**

The ornamental design for a model vehicle rear skid as shown and described.

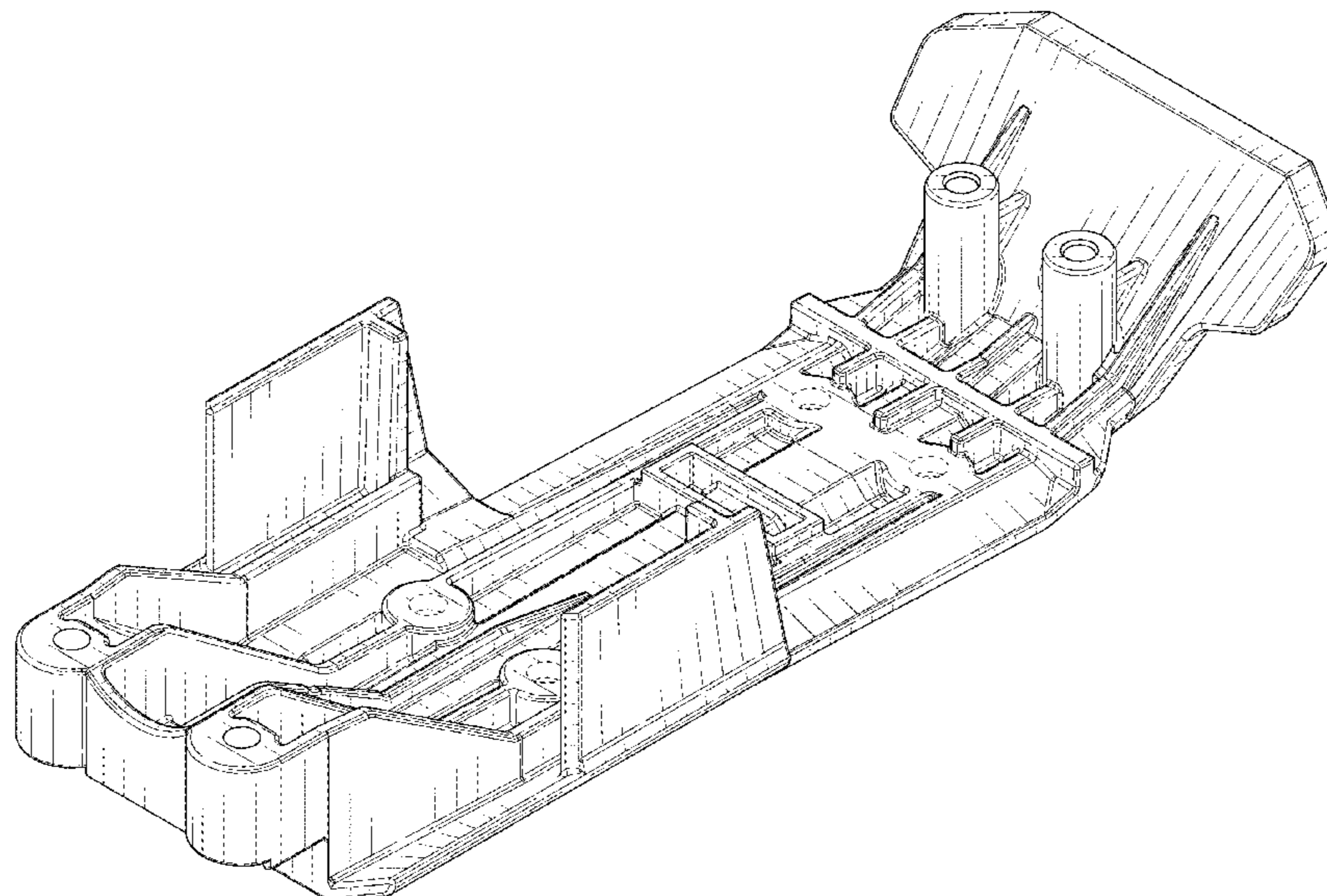
DESCRIPTION

FIG. 1 is an upper, left, front perspective view of a model vehicle rear skid showing our new design;
FIG. 2 is an upper, right, rear perspective view thereof;
FIG. 3 is a lower, right, front perspective view thereof;
FIG. 4 is a lower, left, rear perspective view thereof;
FIG. 5 is a front elevation view thereof;
FIG. 6 is a rear elevation view thereof;
FIG. 7 is a right-side elevation view thereof;
FIG. 8 is a left-side elevation view thereof;
FIG. 9 is an upper plan view thereof; and,
FIG. 10 is a lower plan view of the model vehicle rear skid.
In the drawings, the broken lines illustrate portions of the model vehicle rear skid that form no part of the claimed design.

(56) **References Cited**
U.S. PATENT DOCUMENTS

D309,930 S 8/1990 Asaeda
D317,336 S 6/1991 Tsuchiya
D332,979 S 2/1993 Tsuchiya
D335,484 S 5/1993 Moyle et al.
D381,376 S 7/1997 Edwards
D403,023 S 12/1998 Araki
D474,726 S 5/2003 Weber et al.
D476,927 S 7/2003 Delgado
D477,257 S 7/2003 Delgado
D487,041 S 2/2004 Schlachter

1 Claim, 8 Drawing Sheets



(56)

References Cited

U.S. PATENT DOCUMENTS

D509,466 S 9/2005 Marchese et al.
 D534,593 S 1/2007 Yuen
 D556,094 S 11/2007 May
 D577,083 S 9/2008 Nakayama
 D593,616 S 6/2009 Asai
 D597,151 S 7/2009 Ishikawa
 D616,797 S 6/2010 Lamm et al.
 D647,445 S 10/2011 Tonello
 D690,639 S 10/2013 Messale
 D691,074 S 10/2013 Dugardin
 D740,719 S 10/2015 Schanz et al.
 D751,953 S 3/2016 Hayes et al.
 D769,163 S 10/2016 Platto et al.
 D779,392 S 2/2017 Hare
 D786,146 S 5/2017 Woodhouse et al.
 D800,621 S 10/2017 Bucher et al.
 D822,126 S 7/2018 Allmendinger et al.
 D828,262 S 9/2018 Yates
 D842,788 S 3/2019 Wymore
 D852,698 S 7/2019 Grewer
 D857,575 S 8/2019 Harriton et al.
 D857,576 S 8/2019 Harriton et al.
 D858,395 S 9/2019 Harriton et al.
 D860,088 S 9/2019 Harriton et al.
 D863,171 S 10/2019 Harriton et al.
 D864,819 S 10/2019 Grossaint
 D867,232 S 11/2019 Izard
 D870,606 S 12/2019 Hagler et al.
 D870,615 S 12/2019 Wood
 D874,999 S 2/2020 Ewing et al.
 D877,014 S 3/2020 Harriton et al.
 D894,809 S 9/2020 Chi
 D899,989 S 10/2020 Chi
 10,814,917 B2 10/2020 Lorenz et al.
 D907,541 S 1/2021 Cox
 D923,112 S 6/2021 Hagler et al.
 D923,113 S 6/2021 Hagler et al.
 D923,114 S 6/2021 Hagler et al.
 D924,338 S 7/2021 Wood et al.
 D925,661 S 7/2021 Hagler et al.
 D928,679 S 8/2021 Liang
 D930,760 S 9/2021 Ewing et al.
 D950,449 S 5/2022 Kil
 D960,061 S 8/2022 Langhals et al.
 D960,255 S 8/2022 Ewing et al.
 D964,482 S 9/2022 Ewing et al.
 D965,490 S 10/2022 Akrapovic et al.
 D977,382 S 2/2023 Kim et al.
 D998,720 S 9/2023 Sprowl et al.
 D1,037,115 S 7/2024 Harriton et al.
 D1,037,962 S * 8/2024 Harriton D12/196
 D1,040,252 S 8/2024 Ewing et al.
 D1,040,253 S 8/2024 Ewing et al.
 D1,040,936 S 9/2024 Christensen et al.
 D1,046,012 S 10/2024 Ewing et al.
 D1,054,506 S 12/2024 Hix et al.
 D1,074,844 S * 5/2025 Hagler D21/561
 2011/0005424 A1 1/2011 Stiedl
 2020/0276951 A1 9/2020 Riva
 2020/0276952 A1 9/2020 Aizawa et al.
 2020/0322546 A1 10/2020 Carolus et al.
 2021/0046395 A1 2/2021 Allmendinger et al.
 2023/0219010 A1 7/2023 Christensen et al.
 2024/0115965 A1 4/2024 Christensen et al.

OTHER PUBLICATIONS

Traxxas Maxx® Slash® Skid Plates Set, Part # TRA 10244, Aug. 11, 2025. (Year: 2025).*

Traxxas 8944 Skidplate, Front (1), Rear (1), ASIN B081LMCQVB, as shown in www.amazon.com, date first available, Nov. 22, 2019. (Year: 2019).*

Traxxas 9623 Skidplate, Chassis, Black: Sledge, as shown in www.amazon.com, Mar. 10, 2023, ASIN B0C9LMCNSV. (Year: 2023).

Traxxas Sledge Chassis Skidplate (Blue), as shown in www.hobbytown.com, Feb. 24, 2023, Part # TRA9623X. (Year: 2023).

Dauerhaft Durable RC Car Skid Plate, Perfect Size Rc Car Center Gear Box Mount Rc Car Skid Plate, Easy To Install with Screws; Jan. 26, 2021; <https://www.amazon.com/DAUERHAFT-Durable-Perfect-Center-Service/dp/B08V1ZZ3GZ>; 5Pgs. (Year: 2021).

RCLions Stainless Steel Center Skid Plate Protection Plate Chassis Guard; Sep. 10, 2023; <https://amazon.com/RCLions-Stainless-Protection-AXI90081-Upgrades/dp/B08L96KYBR#customerReviews>; 8Pgs. (Year: 2023).

Traxxas XRT Center Skid Plate, as shown in www.amainhobbies.com, May 16, 2023, Part # TRA7837. (Year: 2023).

Traxxas X-Maxx Center Skid Plate, as shown in www.amazon.com, Jan. 5, 2016, Asin B01A6YD5H4. (Year: 2016).

Ajrc Escape Board Climbing Car Skid Plate For 1/8 Rc Tracked Vehicle Traxxas Trx4m Defender Bronco Wpl D12 Mn-d90 Escape Board, as shown in www.aliexpress.com, no date listed, date found Jun. 6, 2024. (Year: 2024).

HPI Racing—Center Skid Plate (Savage XL Flux V2) HP160311, as shown in www.eurorc.com, no date listed, date found Jun. 6, 2024. (Year: 2024).

Traxxas XRT Front and Rear Skid Plates, as shown in www.hobbytown.com, Jun. 12, 2023, Part # TRA7844. (Year: 2023).

Underbody Skid Shield Package, as shown in www.accessories.gmc.com, no date listed, date found Jun. 6, 2024. Part No. 84962765. (Year: 2024).

Traxxas X-Maxx Skid Plate, Front & Rear, as shown in www.amazon.com, Jan. 5, 2016, ASIN B01A6YD5IS. (Year: 2016).

Hagler, Skylar, et al.; U.S. Pat. No. D1,013,062; Model Vehicle Wing; Jan. 30, 2024.

Allmendinger, Otto Karl, et al.; US Pat. No. D1,016, 180; Model Vehicle Lower Skid Pad; Feb. 27, 2024.

Soward, Terry, et al.; U.S. Pat. No. D1,017,485; Model Vehicle Bumper Assembly; Mar. 12, 2024.

Christensen, Casey Christen Jens, et al.; U.S. Pat. No. D1,017,722; Model Vehicle Skid Pad; Mar. 12, 2024.

Unknown, Axial SCX10 II 2000 Jeep Cherokee 1/10th Scale Electric 4WD—RTR; <http://www.axialracing.com/products/ax90047>; Aug. 2016.

Unknown, Axial SCX10 Deadbolt 1/10th Scale Electric 4WD—RTR; <http://axialracing.com/products/ax90044>; Aug. 2016.

Unknown, Tibus Off-Road Engineering; Land Rover Defender, <http://www.tibus-offroad.com/en/products/bolt-on-portals/land-rover/>; Aug. 2016.

Unknown, HPI Racing; HPI Venture FJ Cruiser; <http://www.hpiracing.com/en/article/view/2016012702>; Aug. 2016.

Unknown, Traxxas; Slash 4x4 Overview; Oct. 2009.

Traxxas Skidplate Set, Earliest Available Date Jul. 17, 2009 [Online], [Site Visited Nov. 3, 2020] Available From Internet, URL: <https://www.amainhobbies.com/traxxas-skidplate-set-tra7037/p139497?gclid=EAlalQobChMIz9HfodHm7AlVY8DICH1FYgZzEAQYAyABEgQLQ2fD_BWE> (Year: 2009).

ARB Skid Plates for Toyota Tacoma (2005+), Tin-Eye Date Dec. 7, 2019 [Online], [Site Visited Nov. 3, 2020] Available From Internet, URL: <<https://aventuron.com/collections/arb/products/arb-skid-plates-for-toyota-tacoma-2005>> (Year: 2019).

Traxxas Sledge Rear Bumper w/ Skid plate & Tie Bar Mount, as shown in www.hobbytown.com, Jul. 19, 2022, #TRA9536. (Year: 2022).

Billet Machined Front Skid Plate & Bumper w/ 1-Pc Block for Traxxas 1/8 Sledge C32941GREY New Item, Item# C32941GREY Barcode: 91789045338, as shown in www.integy.com, No date listed. (Year: NA) (Year: NA).

Christensen, Casey Christen Jens, et al.; U.S. Pat. No. D1,002,751; Model Vehicle Skid Pad; Oct. 24, 2023.

Skid plates. (Design—© Questel) orbit.com. [Online PDF compilation of references] 49 pgs. Print Dates Range Aug. 19, 2022-Mar. 25, 2010 [Retrieved Apr. 10, 2024].

(56)

References Cited

OTHER PUBLICATIONS

RPM Traxxas Sledge Front Bumper & Skid Plate. 2024. Hobby Time RC. <https://www.hobbytimerc.com/rpm-traxxas-sledge-front-bumper-skid-plate-black-7.html>.

Front Bumper and Skid Plate for the Traxxas Sledge. 2024. RPM RC. <https://rpmrcproducts.com/shop/bumpers/front-bumpers/front-bumper-and-skid-plate-for-the-traxxas-sledge/>.

RPM70982, RPM Traxxas Sledge Front Bumper & Skid Plate. 2024. Race Day Quads. <https://www.racedayquads.com/products/rpm70982-rpm-traxxas-sledge-front-bumper-skid-plate-black>.

Ege Arguden, et al.; U.S. Pat. No. D1,008,114; Vehicle Rear Skid Plate; Dec. 19, 2023.

* cited by examiner

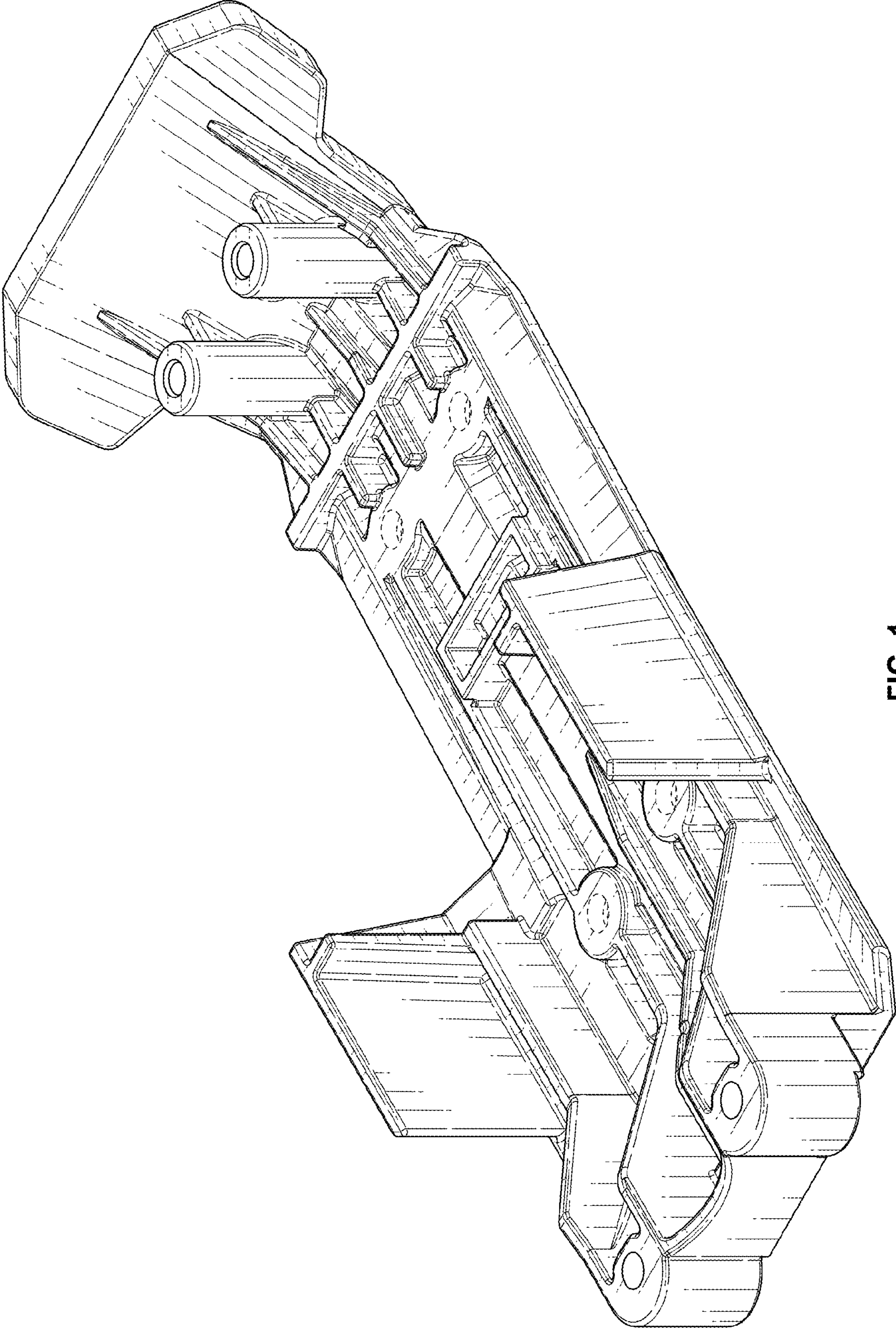


FIG. 1

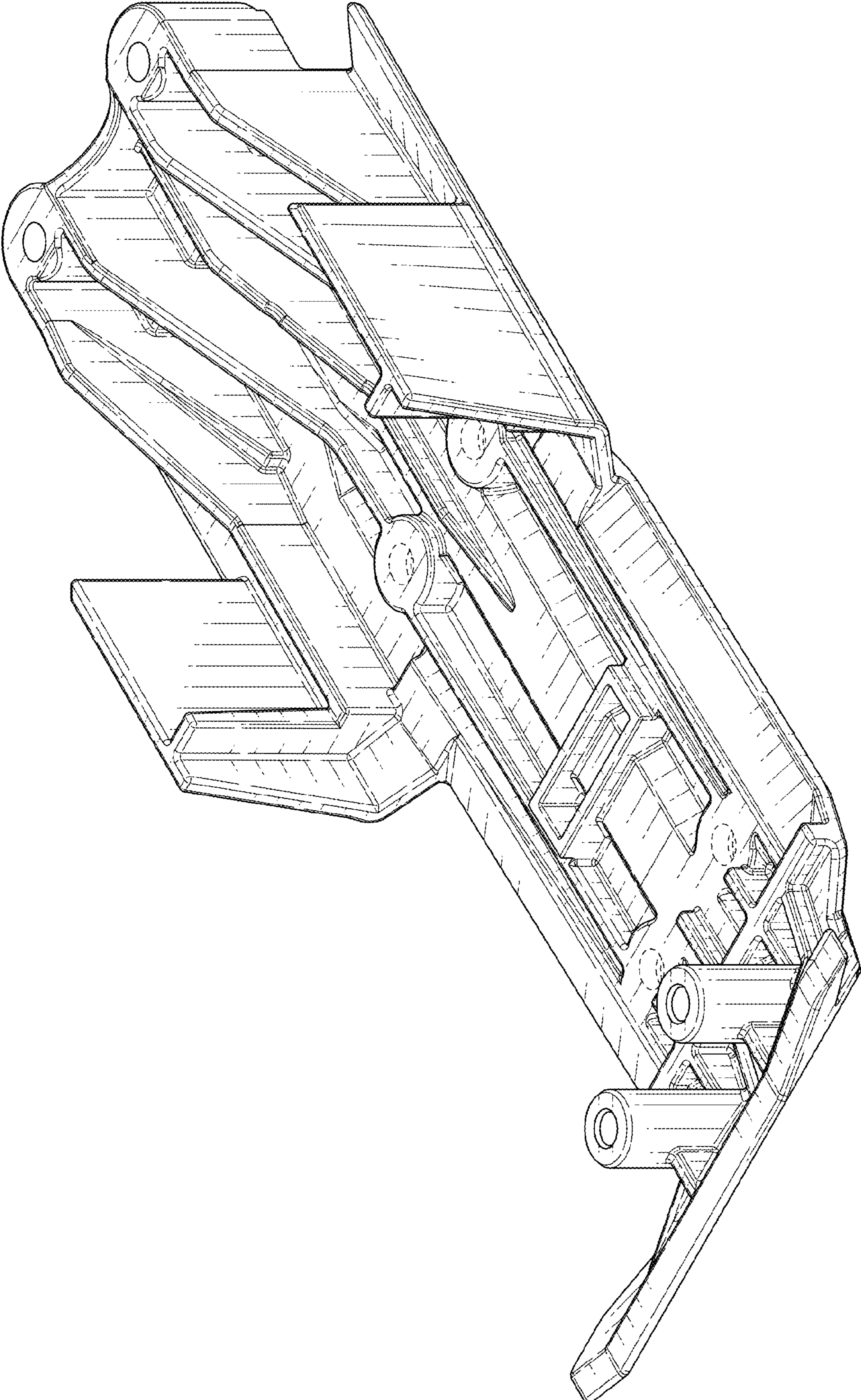


FIG. 2

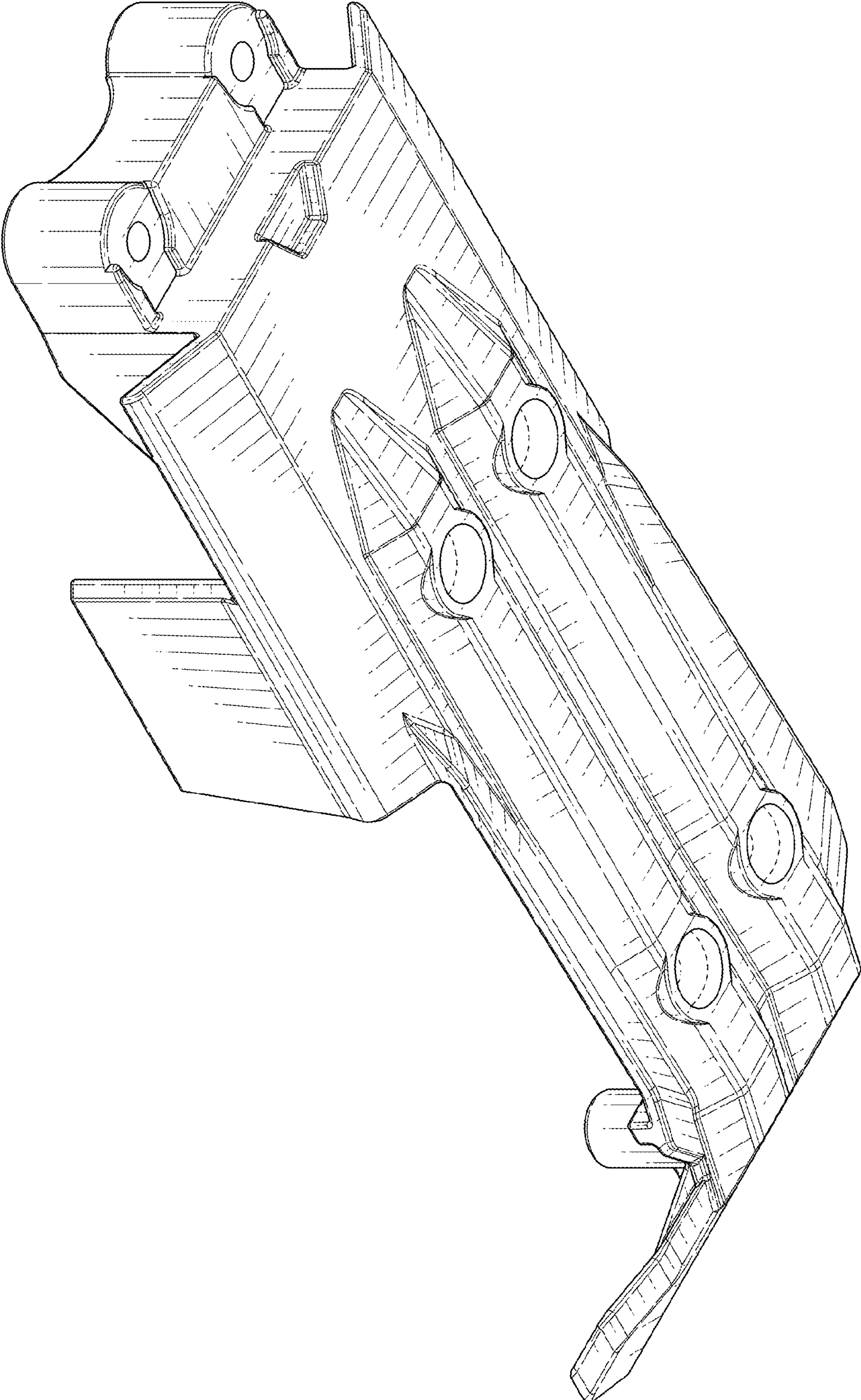


FIG. 3

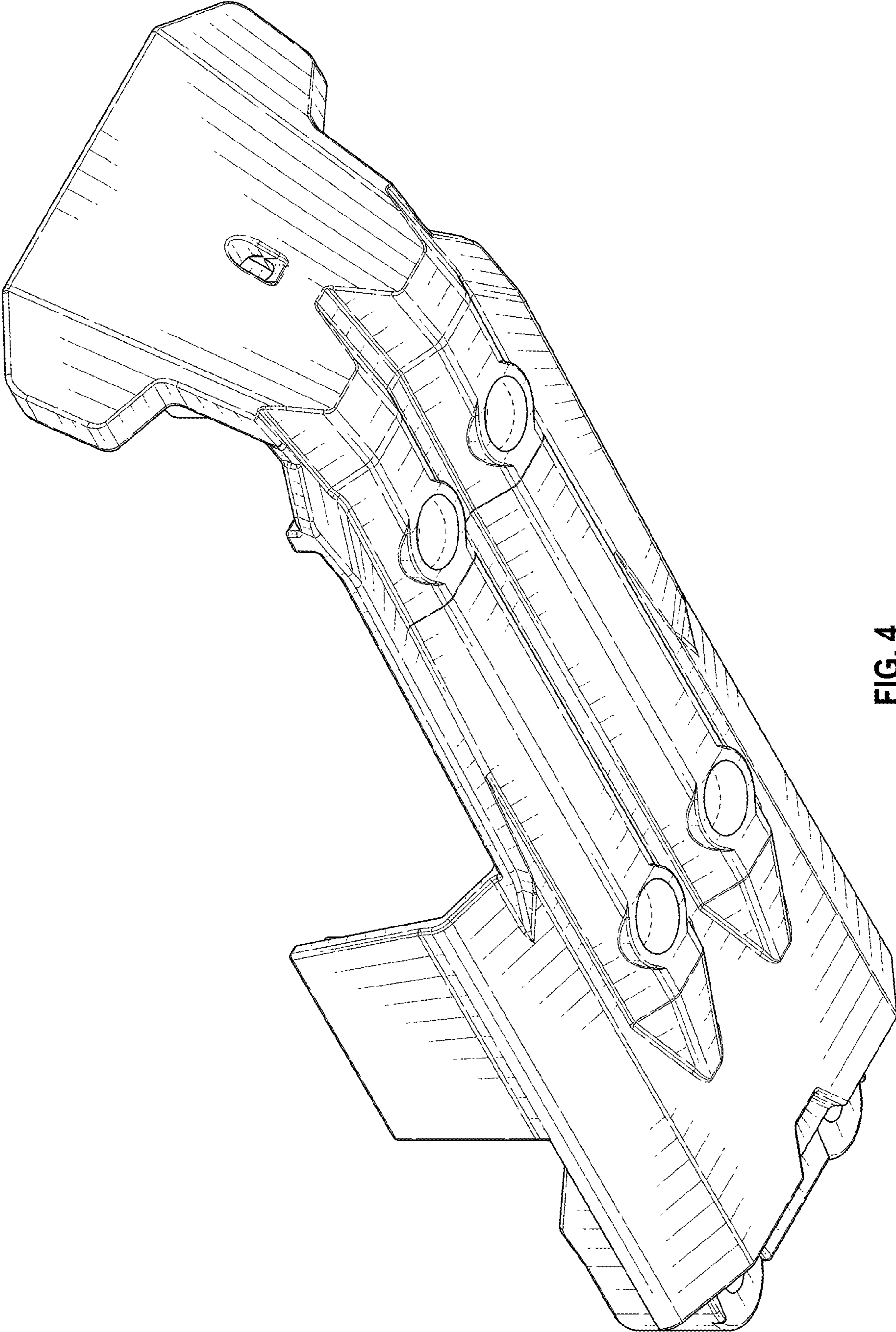


FIG. 4

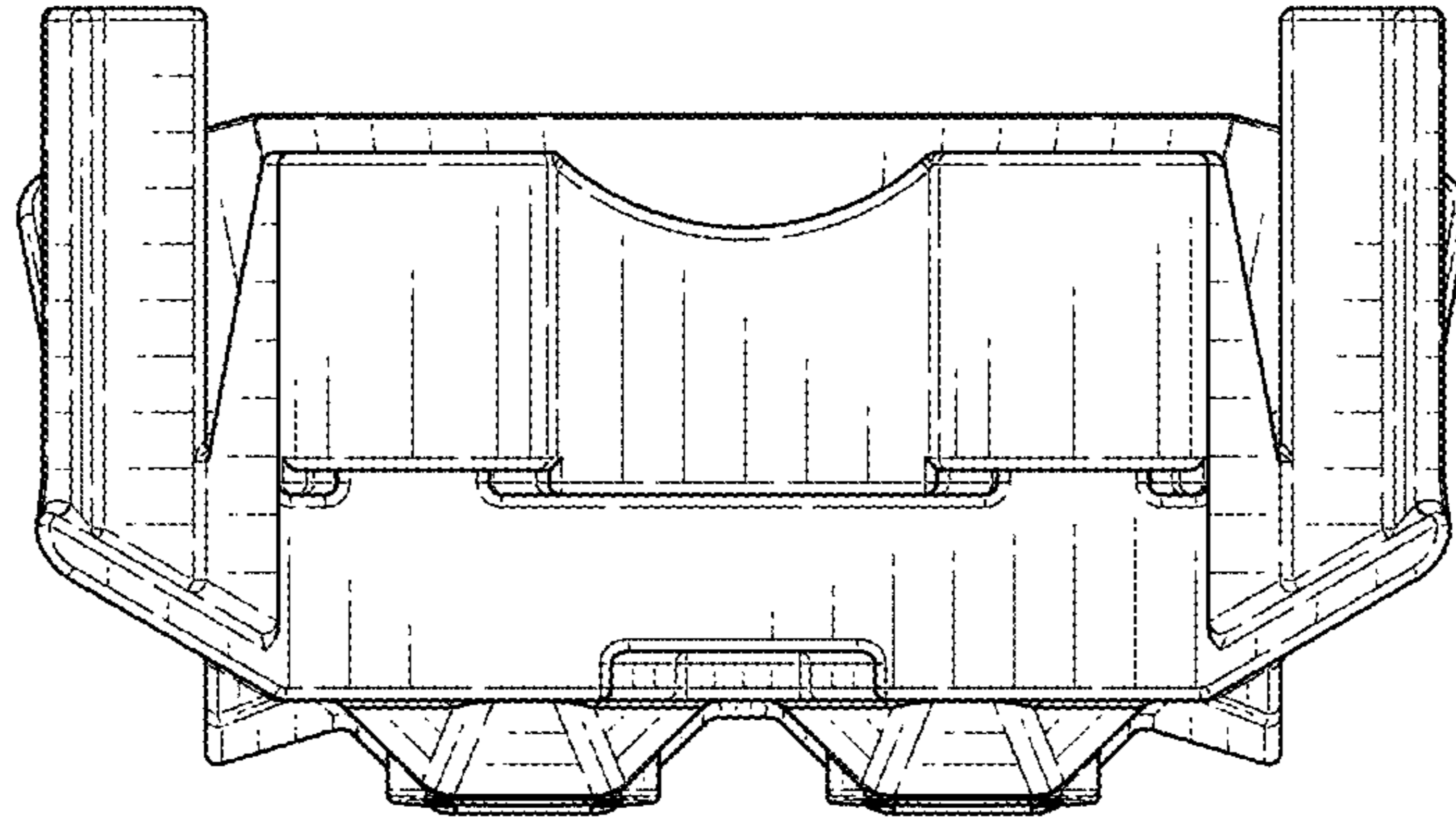


FIG. 5

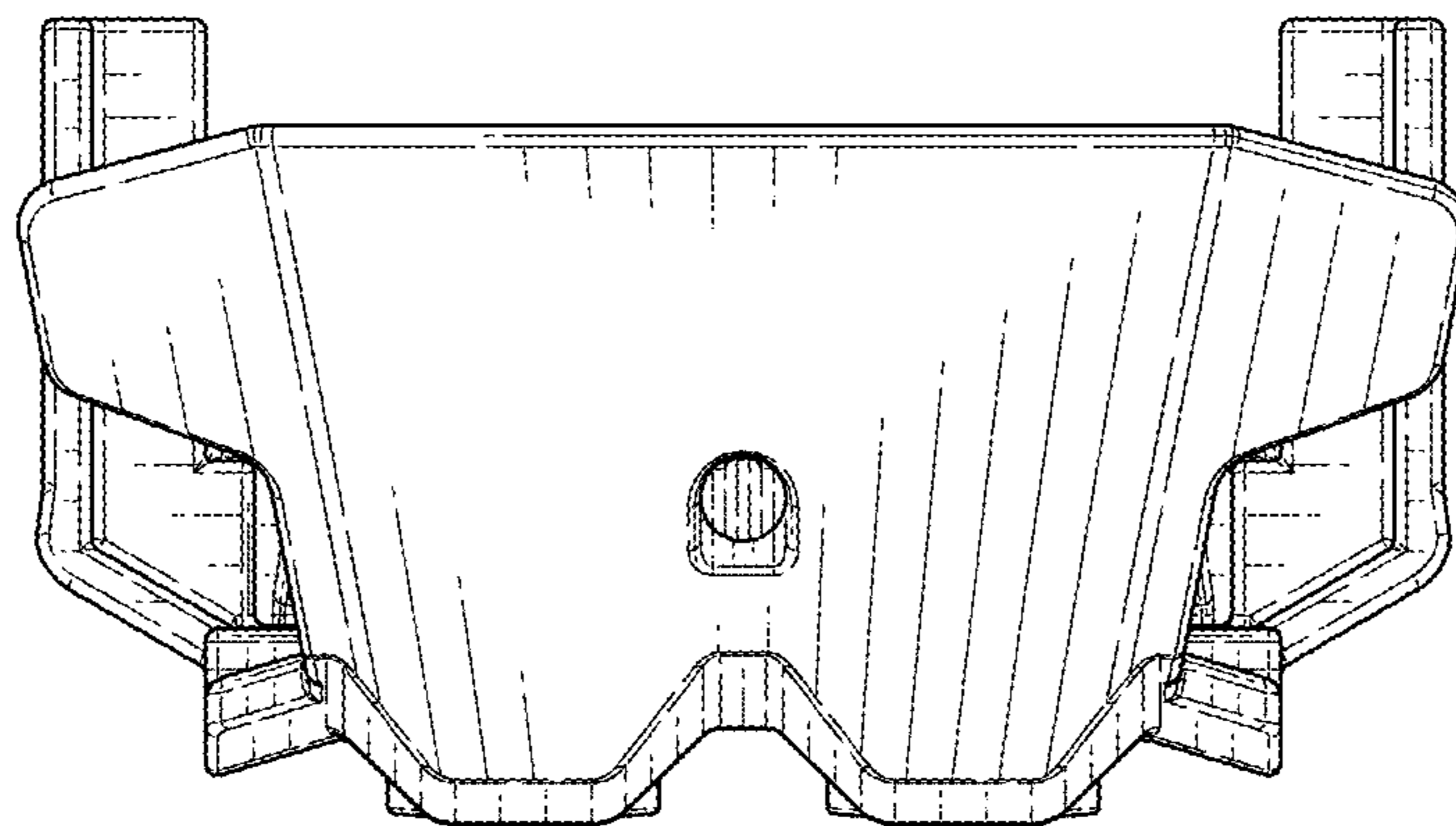


FIG. 6

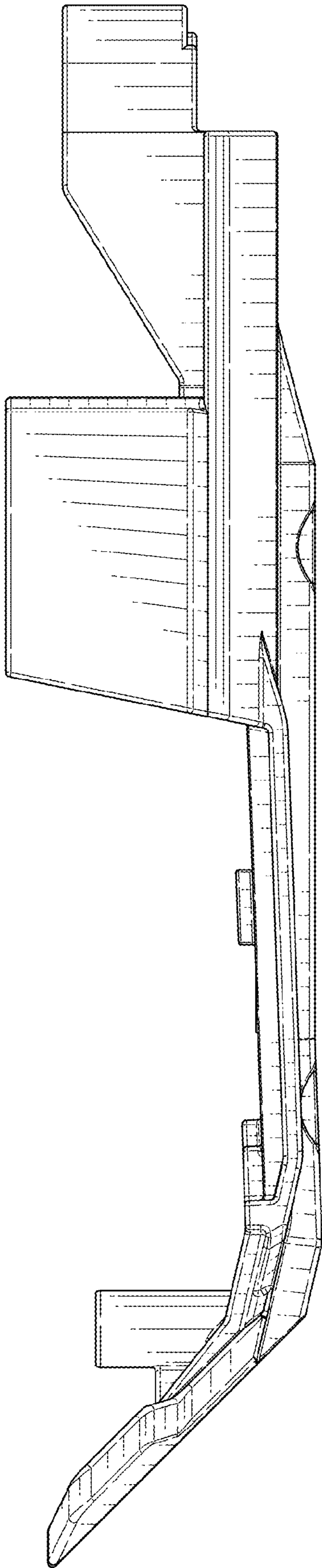


FIG. 7

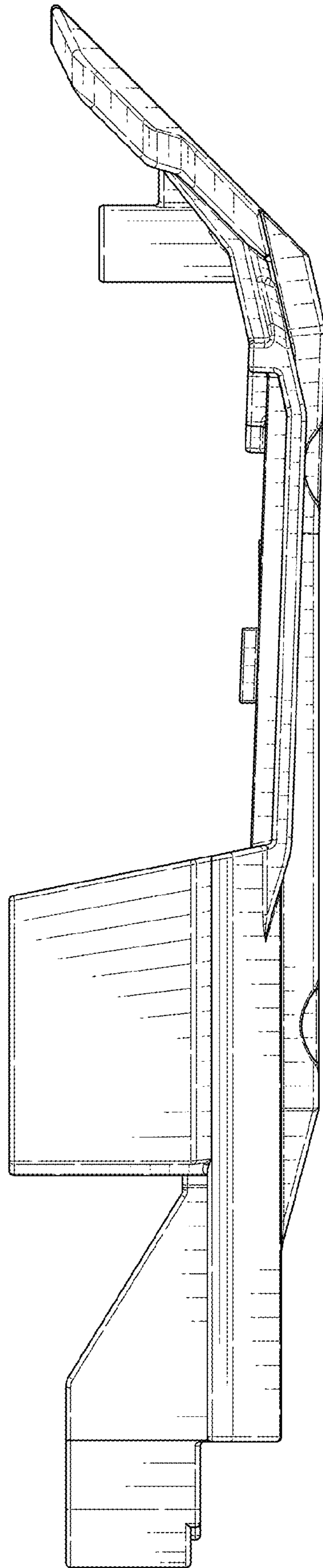


FIG. 8

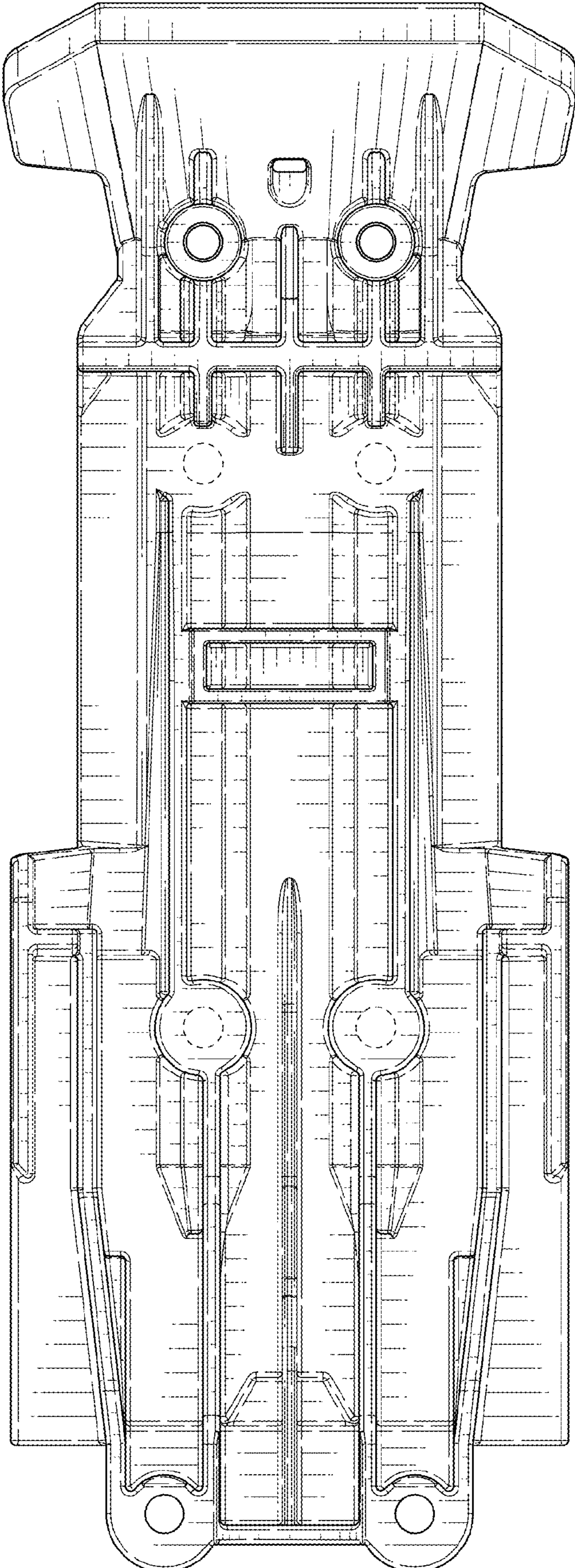


FIG. 9

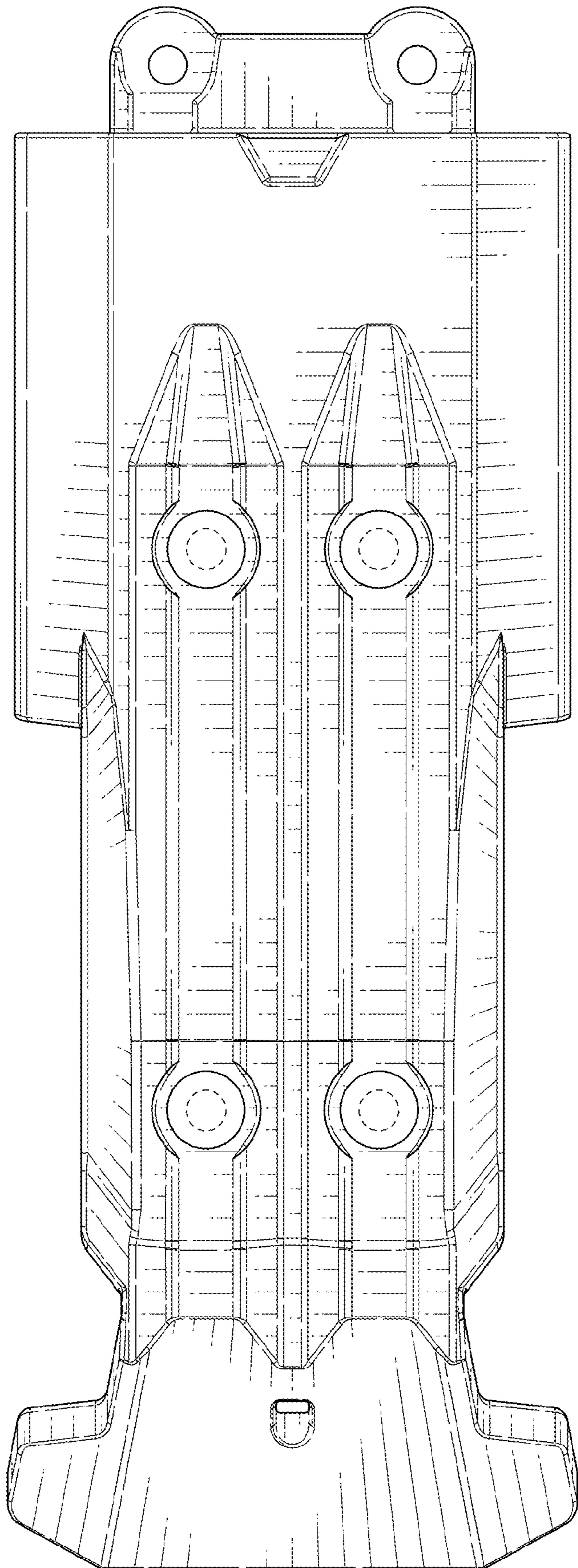


FIG. 10