



US0D1118428S

(12) **United States Design Patent**
Ewing et al.

(10) **Patent No.:** **US D1,118,428 S**
(45) **Date of Patent:** **** Mar. 17, 2026**

(54) **MODEL VEHICLE SHOCK TOWER**

(71) Applicant: **TRAXXAS, L.P.**, McKinney, TX (US)

(72) Inventors: **Adam Cole Ewing**, McKinney, TX (US); **Kent Poteet**, Lucas, TX (US)

(73) Assignee: **TRAXXAS, L.P.**, McKinney, TX (US)

(**) Term: **15 Years**

(21) Appl. No.: **29/961,094**

(22) Filed: **Sep. 4, 2024**

(51) **LOC (15) Cl.** **21-01**

(52) **U.S. Cl.**
USPC **D21/562**

(58) **Field of Classification Search**
USPC D21/561-562; D12/159
CPC . B60G 7/001; B60G 7/02; B60G 3/20; B60G 2200/144

See application file for complete search history.

(56) **References Cited**

U.S. PATENT DOCUMENTS

D262,959 S	2/1982	Cowan	
D277,952 S	3/1985	Nakano et al.	
D281,772 S	12/1985	Heideman et al.	
5,536,035 A	7/1996	Bautz et al.	
6,047,988 A	4/2000	Aloe et al.	
6,142,268 A	11/2000	Kuo-An	
D828,460 S	9/2018	Wood	
D839,363 S	1/2019	Ewing et al.	
D856,432 S	8/2019	Ewing et al.	
D896,709 S	9/2020	Ewing et al.	
D929,507 S	8/2021	Ewing et al.	
D930,088 S	9/2021	Ewing et al.	
D955,503 S	6/2022	Ewing et al.	
D996,529 S *	8/2023	Allmendinger	D21/562
D998,058 S *	9/2023	Allmendinger	D21/562
D1,023,847 S	4/2024	Ewing et al.	
D1,023,849 S	4/2024	Ewing et al.	

D1,026,743 S	5/2024	Ewing et al.	
D1,039,066 S	8/2024	Ewing et al.	
D1,043,459 S *	9/2024	Ewing	D12/159
D1,067,835 S	3/2025	Ewing et al.	

(Continued)

FOREIGN PATENT DOCUMENTS

CN	304904483	11/2018
GB	6332678	12/2023

(Continued)

OTHER PUBLICATIONS

Ellsworth, Tony; "Suspension Design Enhancements—The Ellsworth Dare"; Dreamride Mountain Bike Tours and Film Services, Moab, Utah, 2001.

(Continued)

Primary Examiner — Michael A. Pratt

(74) *Attorney, Agent, or Firm* — Daryl R. Wright; Greg Carr

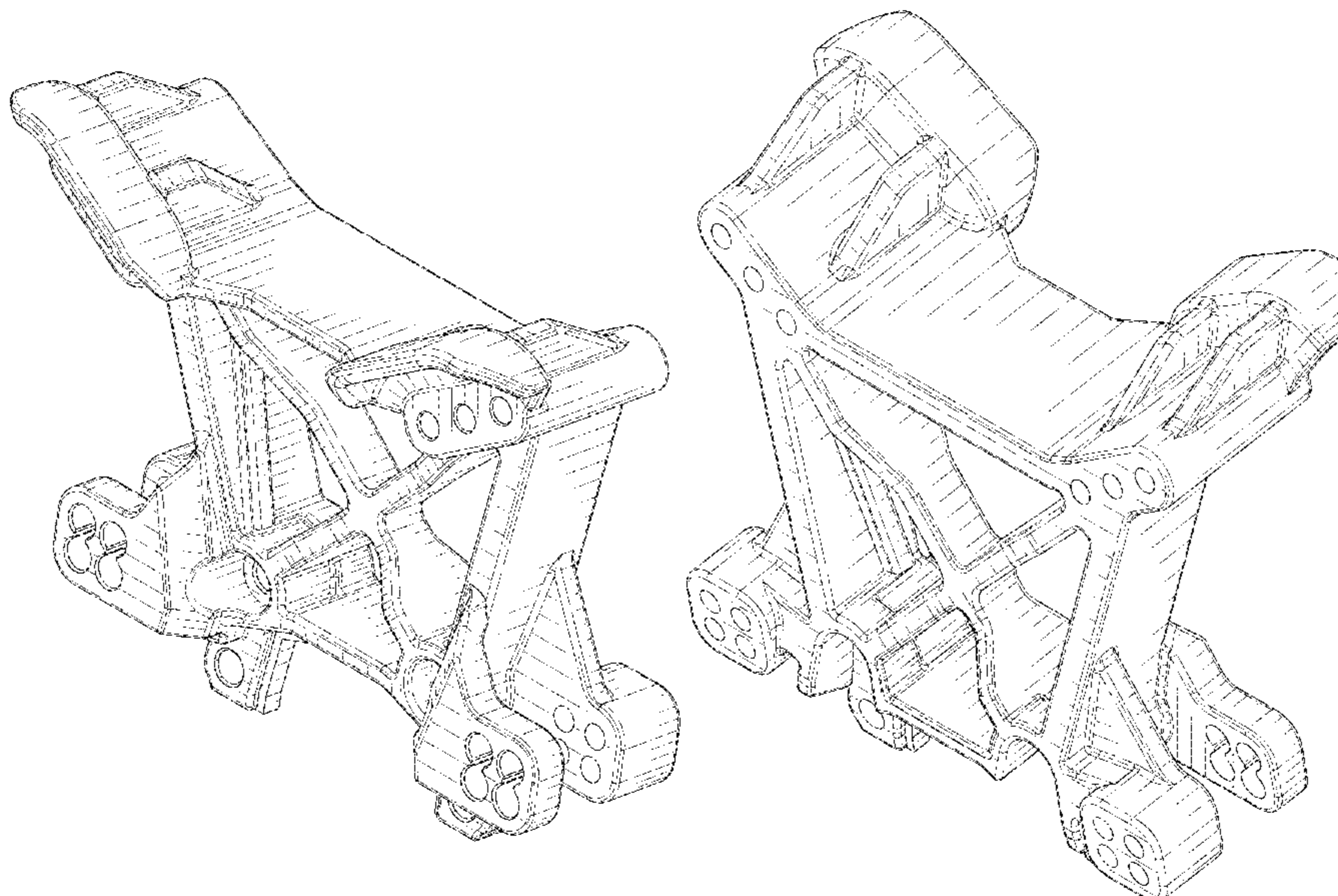
(57) **CLAIM**

The ornamental design for a model vehicle shock tower as shown and described.

DESCRIPTION

FIG. 1 is an upper, left, front perspective view of a model vehicle shock tower showing our new design; FIG. 2 is an upper, right, rear perspective view thereof; FIG. 3 is a lower, right, front perspective view thereof; FIG. 4 is a lower, left, rear perspective view thereof; FIG. 5 is a front elevation view thereof; FIG. 6 is a rear elevation view thereof; FIG. 7 is an upper plan view thereof; FIG. 8 is a lower plan view thereof; FIG. 9 is a right-side elevation view thereof; and, FIG. 10 is a left-side elevation view of a model vehicle shock tower.

1 Claim, 8 Drawing Sheets



(56)

References Cited

U.S. PATENT DOCUMENTS

D1,072,085 S * 4/2025 Ewing D21/562
 D1,072,086 S * 4/2025 Ewing D21/562
 2012/0169023 A1 7/2012 Rawlinson et al.

FOREIGN PATENT DOCUMENTS

TW 185102-0001 8/2017
 WO D095551-008 4/2017

OTHER PUBLICATIONS

Milliken, William F. and Milliken, Douglas L.; "Race Car Vehicle Dynamics" 1995, pp. 580-583, 595-597, 628-631; SAE Publications Group, Pennsylvania USA.

Phillpotts, Peter; "Rising Rate Suspension"; Off Road Design, 2001. Racecar Engineering, Jun. 2003—vol. 13 No. 06, pp. 15, 106; Country & Leisure Media Ltd./IPC Media Ltd., Croydon, England. Traxxas, "T-MAXX" model vehicle; Traxxas LP, Plano, Texas; 1 photograph (admitted prior art).

Axial SCX10 II Shock Hoops AX131380; <http://www.axialracing.com/products/ax31380>; Aug. 2016.

Hobby Town; Front_Rear_Shock_Tower_set [online] found on Mar. 5, 2018 from URL <https://www.hobbytown.com/trx-front-rear-shock-tower-set-by-traxxas-tra8216/p668322>.

2Pcs RC Model Car Shock Tower Upgrade Parts for Xinlehong Q901, Q902, Q903, Earliest Available Date Oct. 22, 2019 [Online], [Site Visited Oct. 20, 2020] Available From Internet, URL: <<https://www.newegg.com/p/1SW-00TF-00H35>> (Year: 2019).

1_28 RC Car Upgraded Metal Part Shock Tower for Wltoys P929 P939 K969 K979 K989 K999, Earliest Available Date Oct. 20, 2020 [Online], [Site Visited Oct. 20, 2020] Available From Internet, URL: <https://www.gearbest.com/rc-car-parts/pp_009793593021.html> (Year: 2020).

Shock tower front 6061-T6 aluminum, First Date Available: Unknown, Image retrieved on: Jun. 1, 2023, <<https://traxxas.com/products/parts/9539A>>.

TeamSR XB4 shock towers, First Date Available: Unknown, Image retrieved on: Jun. 1, 2023, <<https://www.redrc.net/2012/12/teamsr-xb4-shock-towers/>>.

Traxxas XRT Shock Tower, Front (Left & Right Halves), Traxxas Webpage [online], [Site Visit Dec. 19, 2023], URL: <https://traxxas.com/products/parts/7839> (Year: 2023).

TRA 7839 Traxxas XRT Front Shock Tower, Jun. 15, 2023, Amain Hobbies Webpage [online], [Site Visit Dec. 19, 2023], URL: https://www.amainhobbies.com/traxxas-xrt-front-shock-tower-tra7839/p1454424?gclid=EAlalQobChMInfK574acgwMVSORyCh0gVwHrEakYAIAABEgLV_D_BWE (Year: 2023).

EAlalQobChMInfK574acgwMVSORyCh0gVwHrEakYAIAABEgLV_D_BWE (Year: 2023).

Traxxas XRT Rear Shock Tower Halves, May 24, 2023, Amain Hobbies Webpage [online], [Site Visit Dec. 19, 2023], URL: <https://www.amainhobbies.com/traxxas-xrt-rear-shock-tower-halves-tra7838/p1454423> (Year: 2023).

Traxxas Rr Shock Tower—XRT, Hobby Works Webpage [online], [Site Visit Dec. 19, 2023], URL: <https://www.hobbyworks.com/cproduct/31085%2Ftraxxas-rr-shock-tower-%28left%2C-right%29-%28xrt%29> (Year: 2023).

Traxxas TRX-4M Shock Mount (Front & Rear)/Battery Tray, Traxxas Webpage [online], [Site Visit Dec. 19, 2023], URL: <https://traxxas.com/products/parts/9726> (Year: 2023).

Traxxas Xrt 8S Extreme 4WD Brushless RTR Race Monster Truck (Green) w/TQi 2.4GHz Radio & TSM, as shown in www.hobbytown.com, Nov. 18, 2022, Part # TRA78086-4-GRN. (Year: 2022).

Arrma Composite Front/Rear Upper Gearbox Covers & Shock Tower, as shown in www.amainhobbies.com, Jun. 17, 2019. (Year: 2019).

Treal Hobby Redcat Gen9 Aluminum Front Shock Towers (Titanium) (2), as shown in www.amainhobbies.com, May 10, 2024, Part # TLHTGEN9-38. (Year: 2024).

Traxxas TRX4M Shock Mounts (front & rear)/ battery tray, Amazon Webpage [online], [Site visited Jul. 18, 2024], URL: <https://www.amazon.com/TRAXXAS-TRX4M-Shock-mounts-battery/dp/B0C4TQSG7V> (Year: 2024).

Traxxas TRX-4M Shock Mounts & Battery Tray, Amain Hobbies Webpage [online], [Site visited Jul. 18, 2024], URL: <https://www.amainhobbies.com/traxxas-trx4m-shock-mounts-battery-tray-tra9726/p1451986> (Year: 2024).

Traxxas XRT Shock Tower Front L/R Halves TRA7839, Amazon Webpage [online], [Site Visit Jul. 21, 2024], URL: <https://www.amazon.com/Traxxas-Shock-Tower-Halves-TRA7839/dp/B0C7NLV9YC> (Year: 2024).

Traxxas 7839 Shock Tower Front L/R Halves, Midsouth Hobbies Webpage [online], [Site Visit Jul. 21, 2024], URL: <https://midsouthhobbies.com/products/tra7839> (Year: 2024).

Shock Mounts (front & rear) by Traxxas.com, date unknown, found online [Mar. 1, 2025], URL: <https://traxxas.com/products/parts/9826> (Year: 2025).

Traxxas 10538-BLUE Shock Tower Front, Amazon Website, No. Available Date [Website Visited Sep. 4, 2025] Available on the Internet, URL <https://www.amazon.com/dp/B0F7M4WZDC> (Year: 2025).

Shock Mount Tower Compatible with 1/10 Traxxas 4-Tec Upgrade Ford Mustang, Amazon Website, No. Available Date [Website Visited Sep. 4, 2025] Available on the Internet, URL <https://www.amazon.com/dp/B0F6YZ35QJ?th=1> (Year: 2025).

Red Aluminum Front Shock Tower, Traxxas Website, No Available Date [Website Visited Sep. 4, 2025] Available on the Internet, URL <https://traxxas.com/10538-red-red-aluminum-front-shock-tower> (Year: 2025).

* cited by examiner

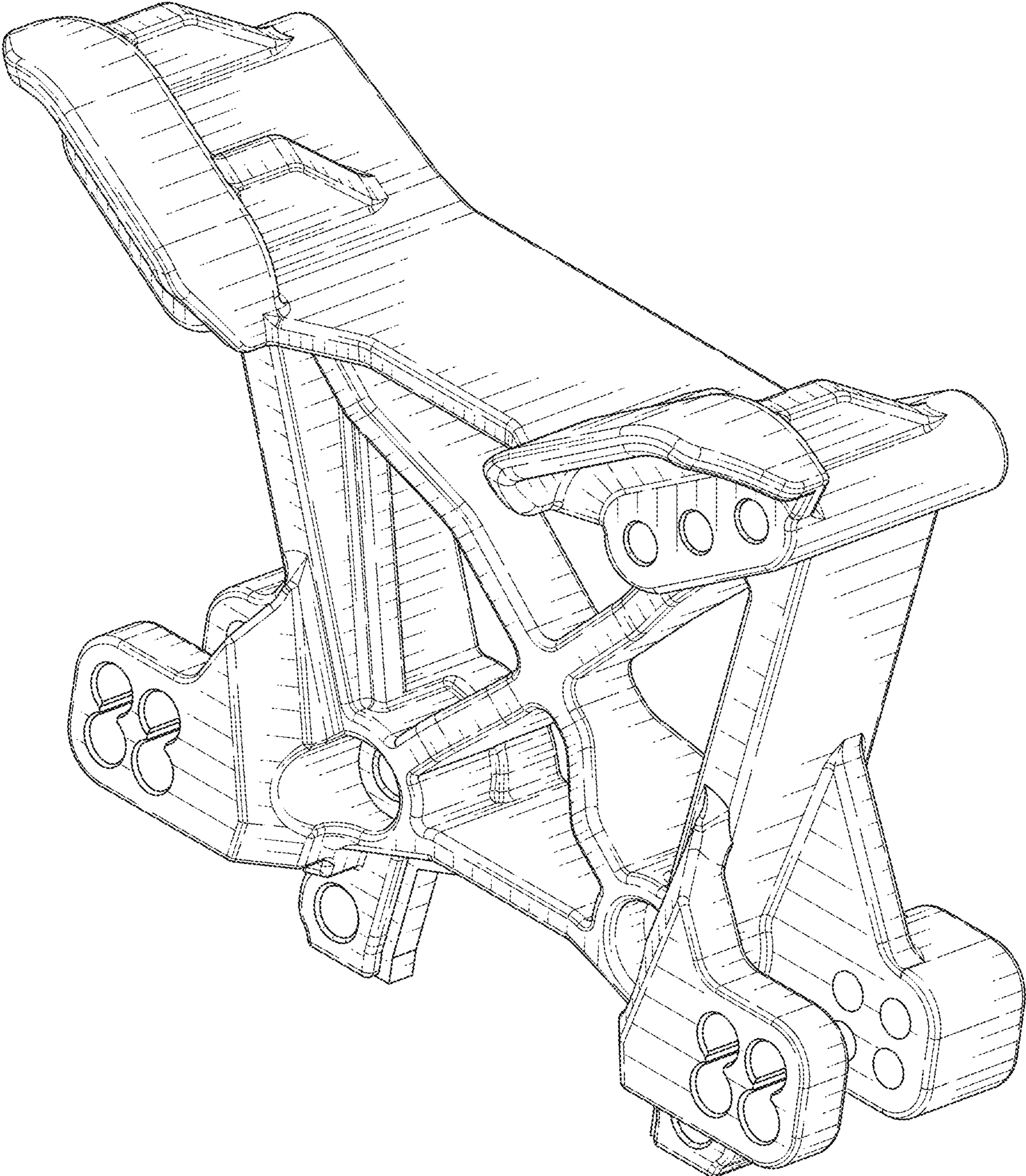


FIG. 1

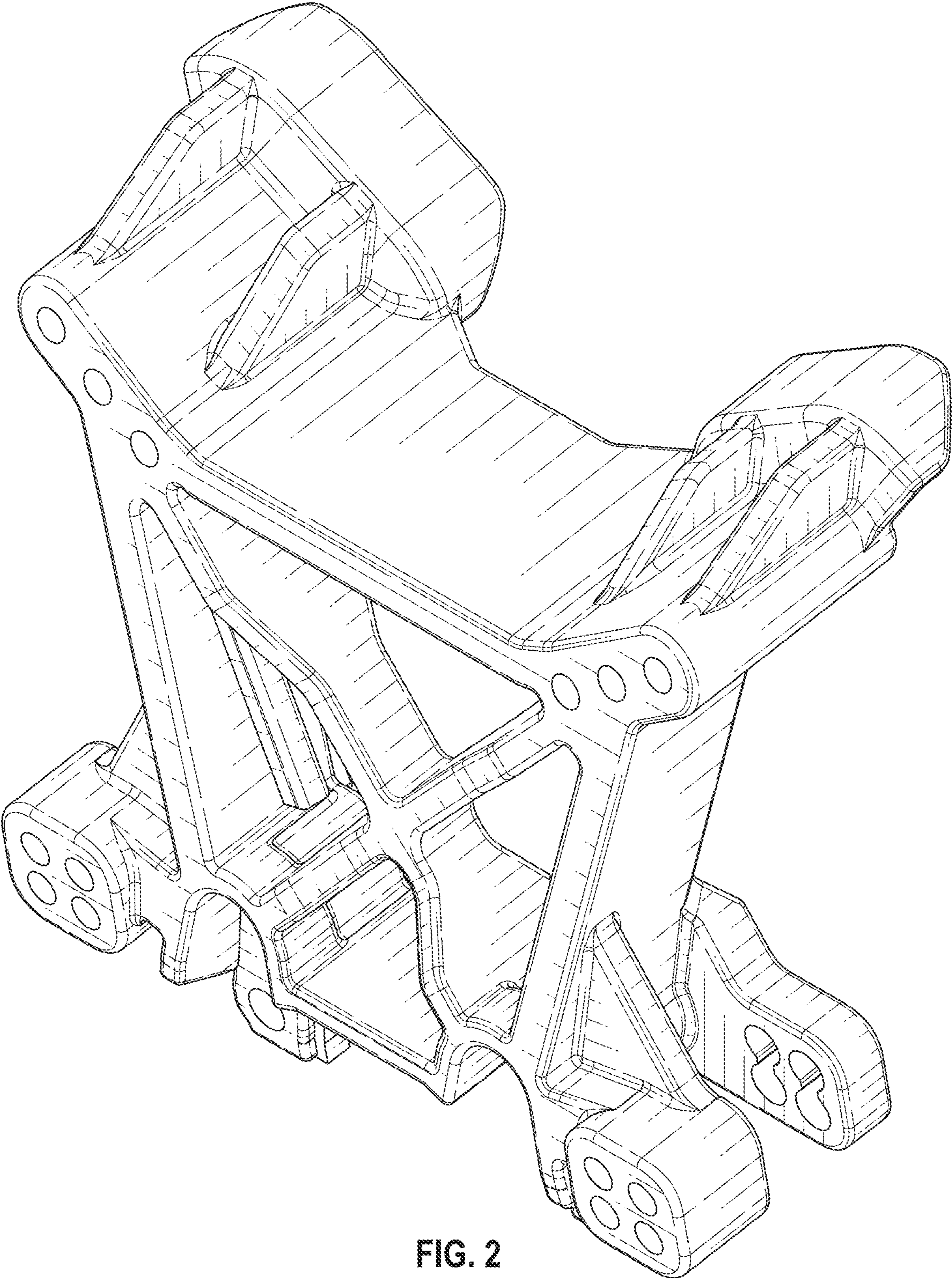


FIG. 2

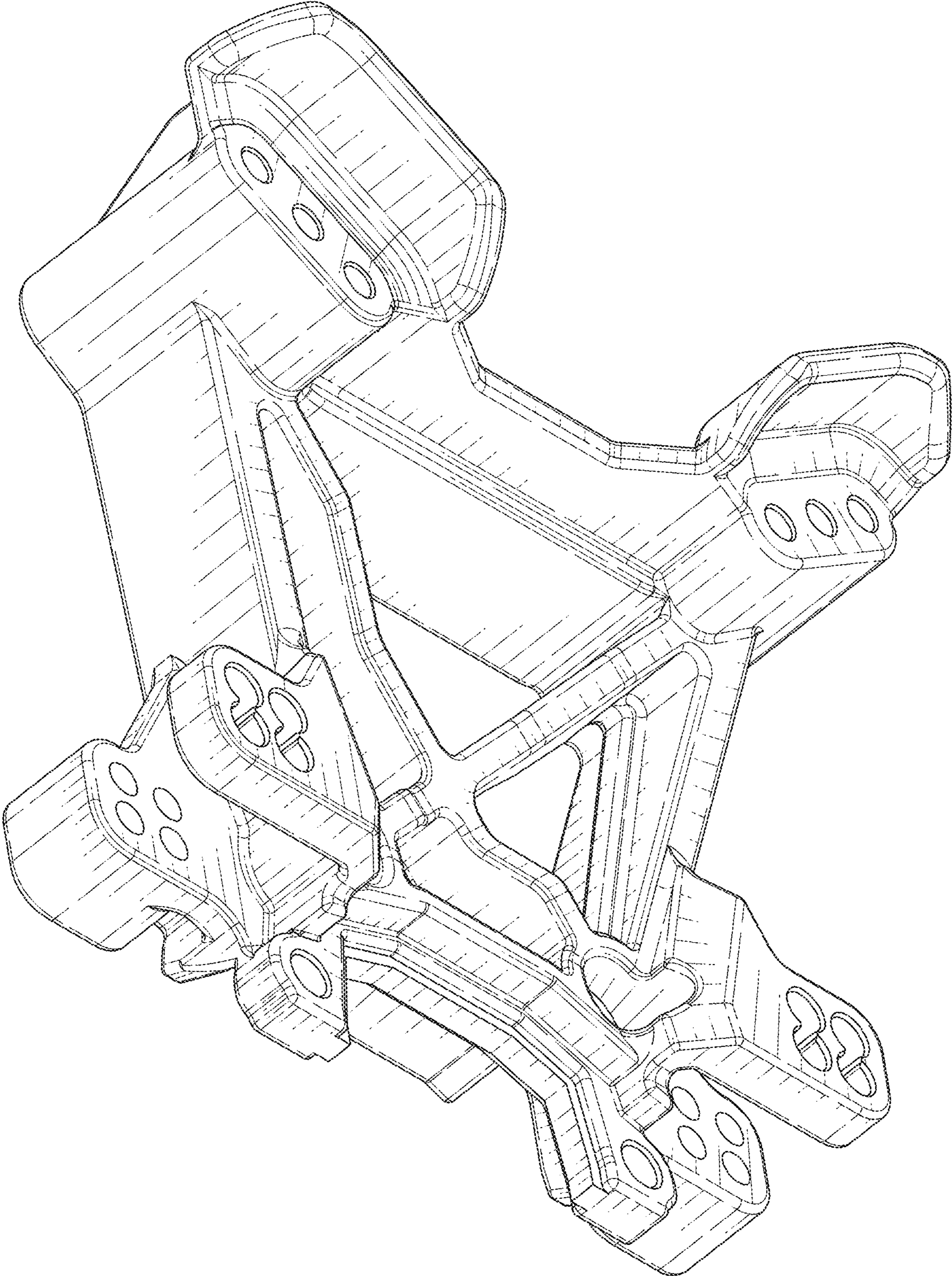


FIG. 3

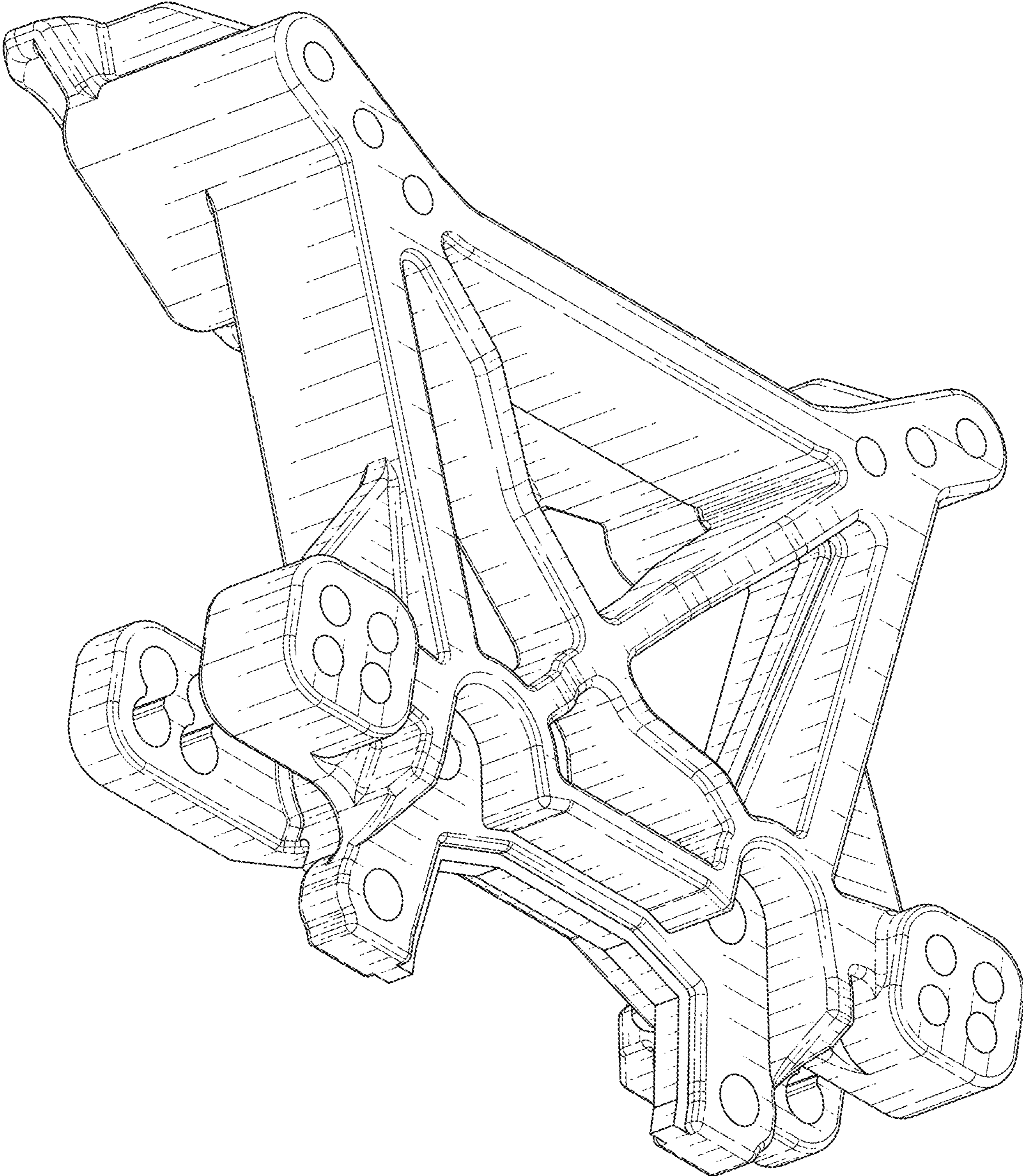


FIG. 4

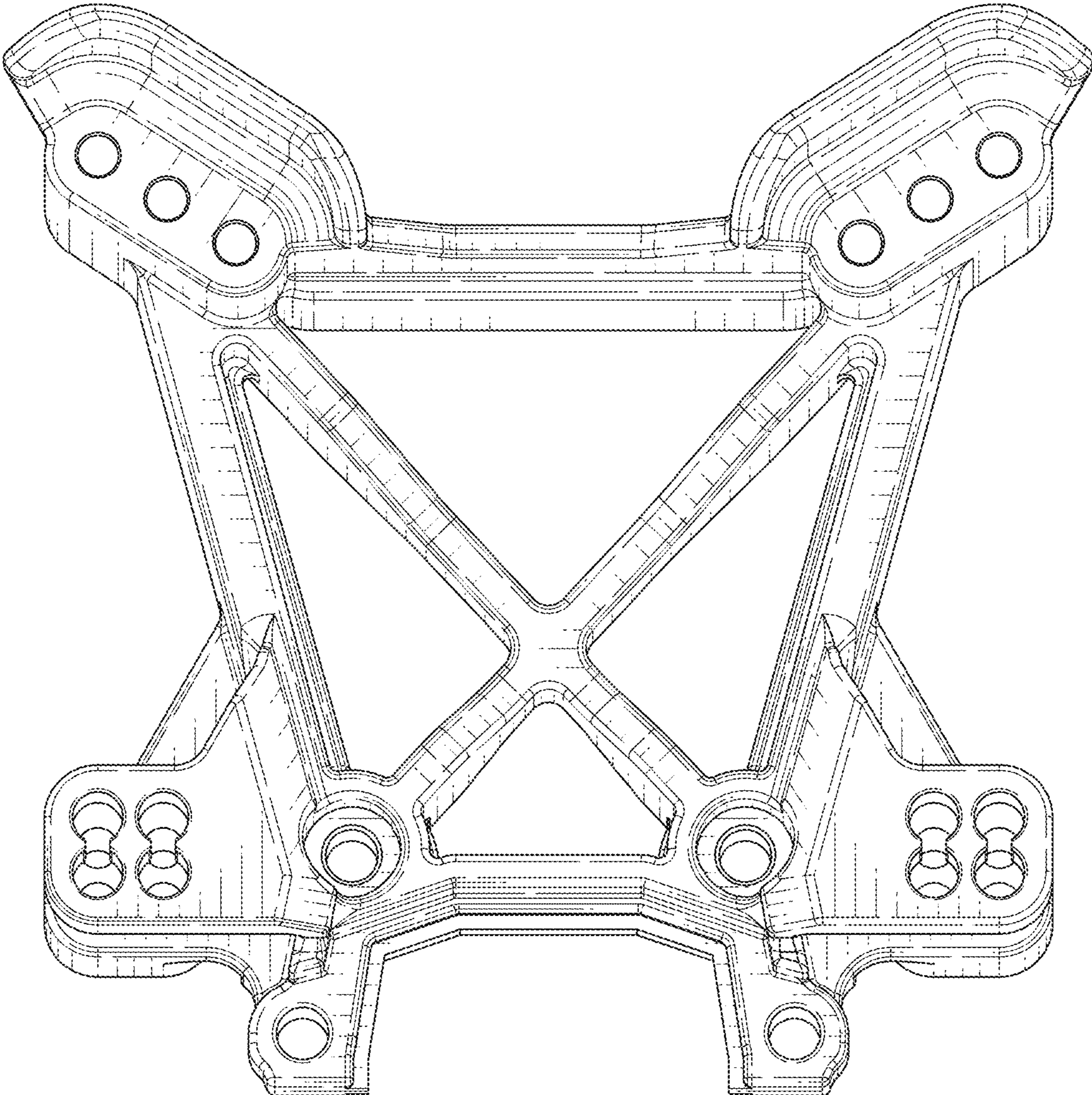


FIG. 5

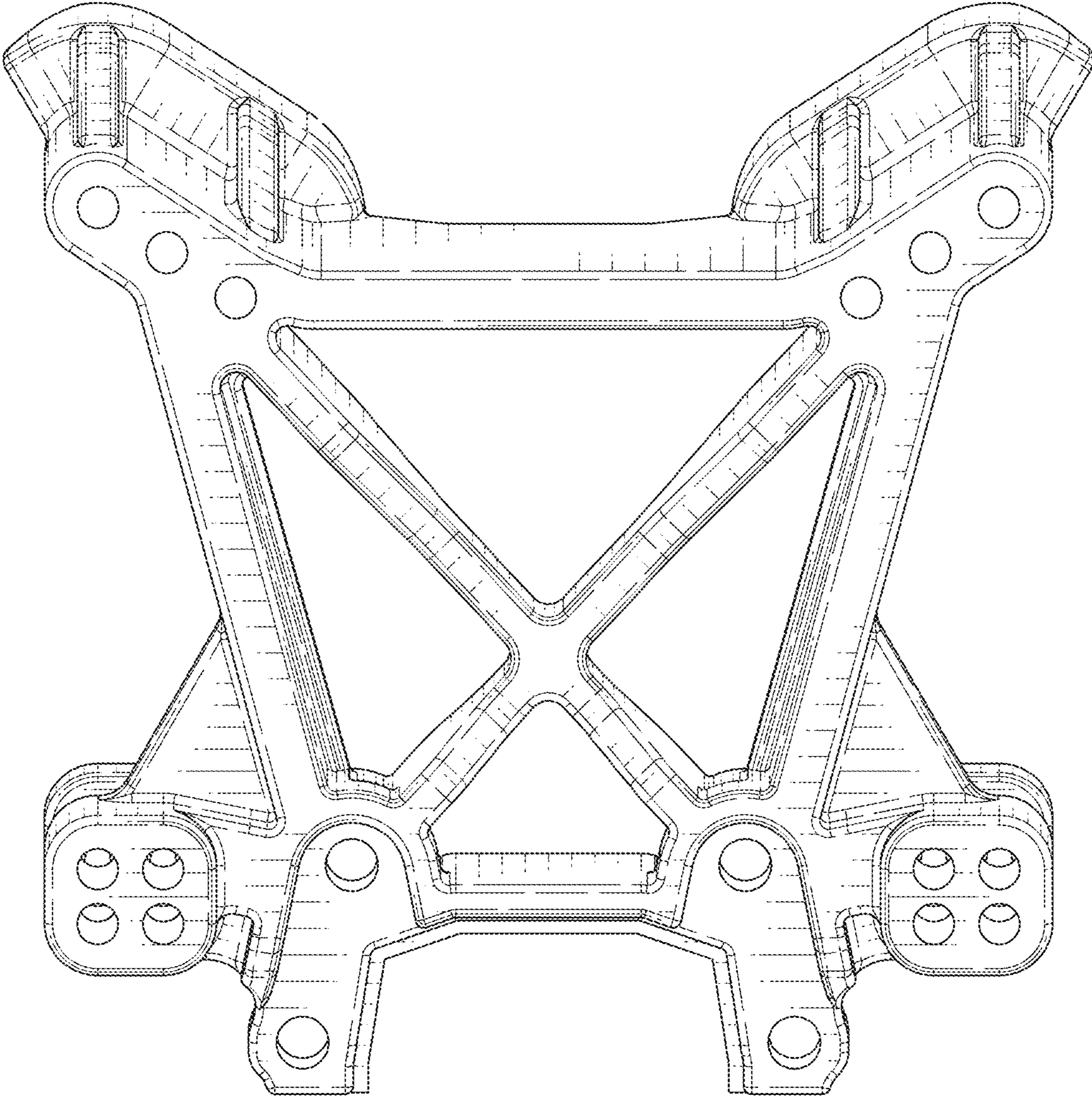


FIG. 6

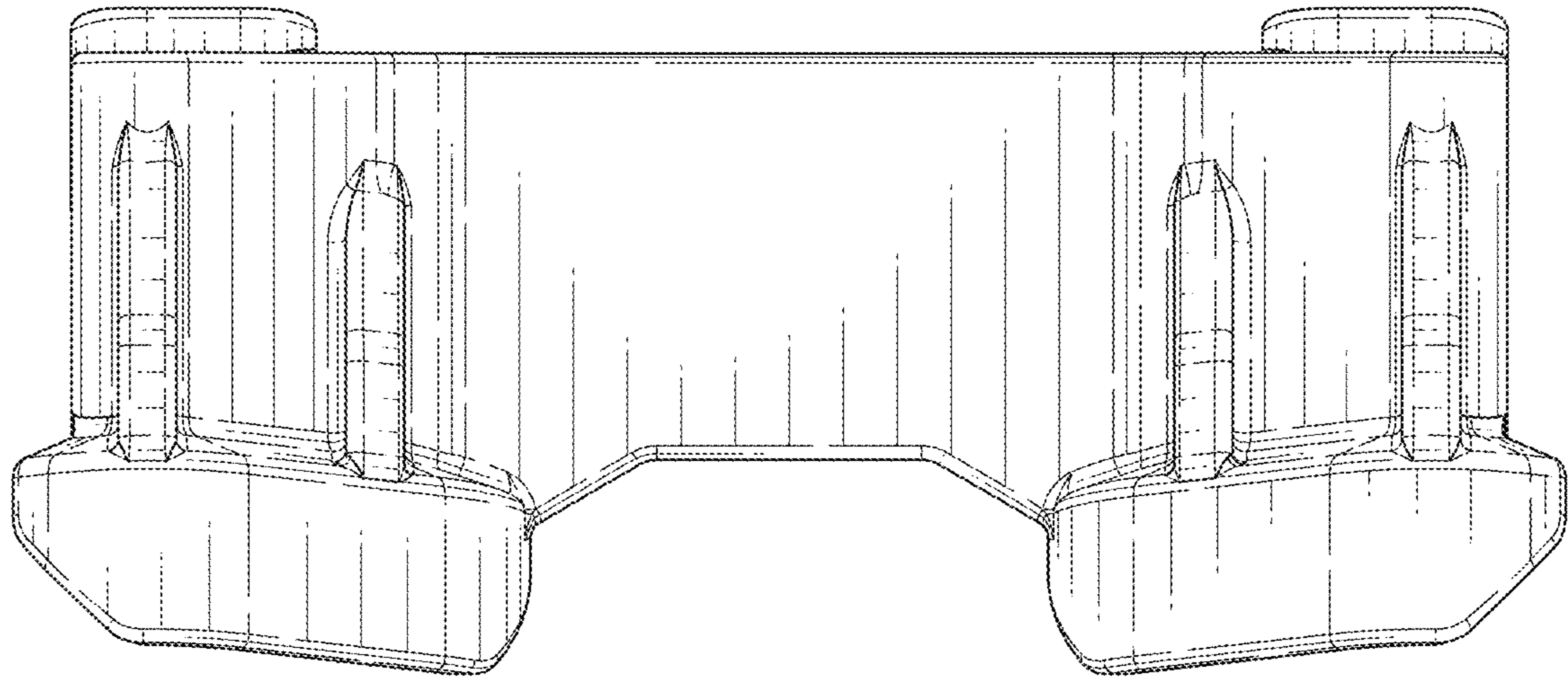


FIG. 7

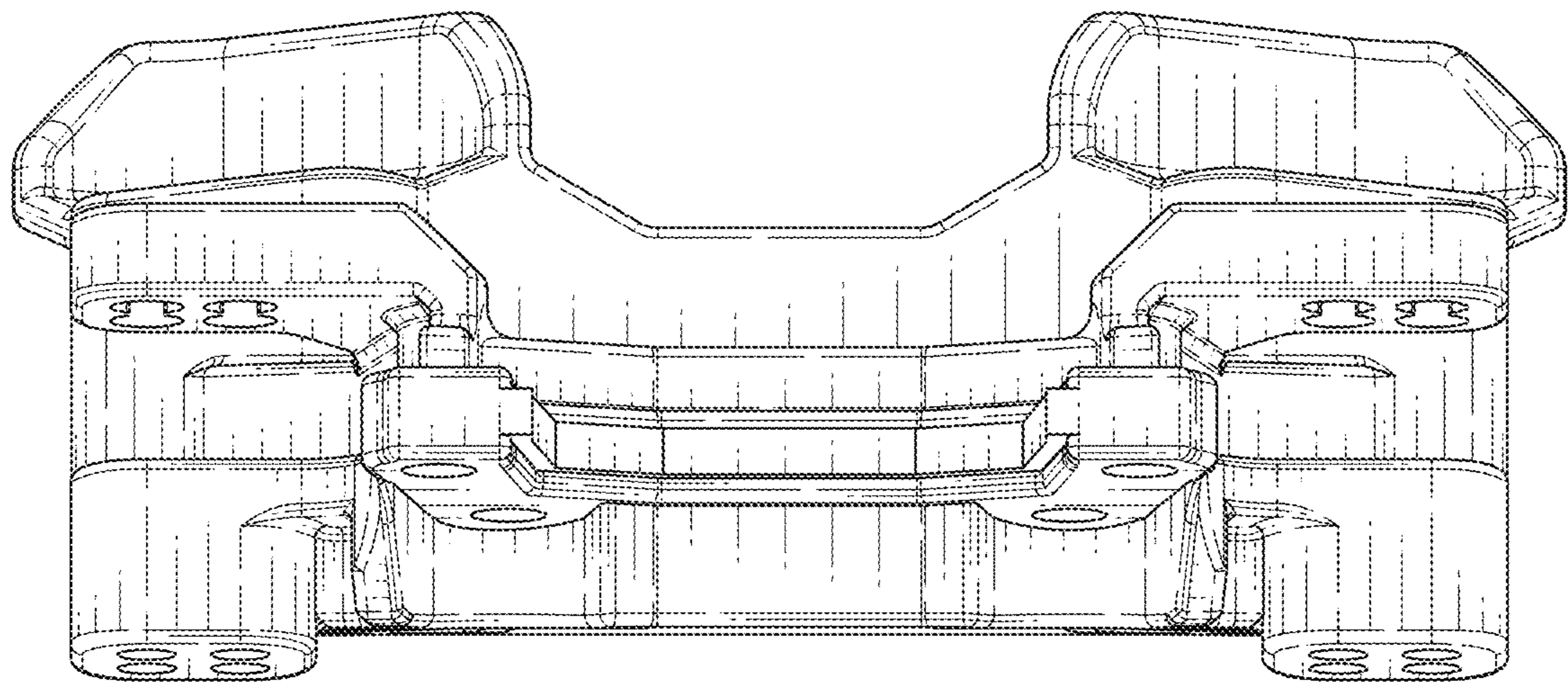


FIG. 8

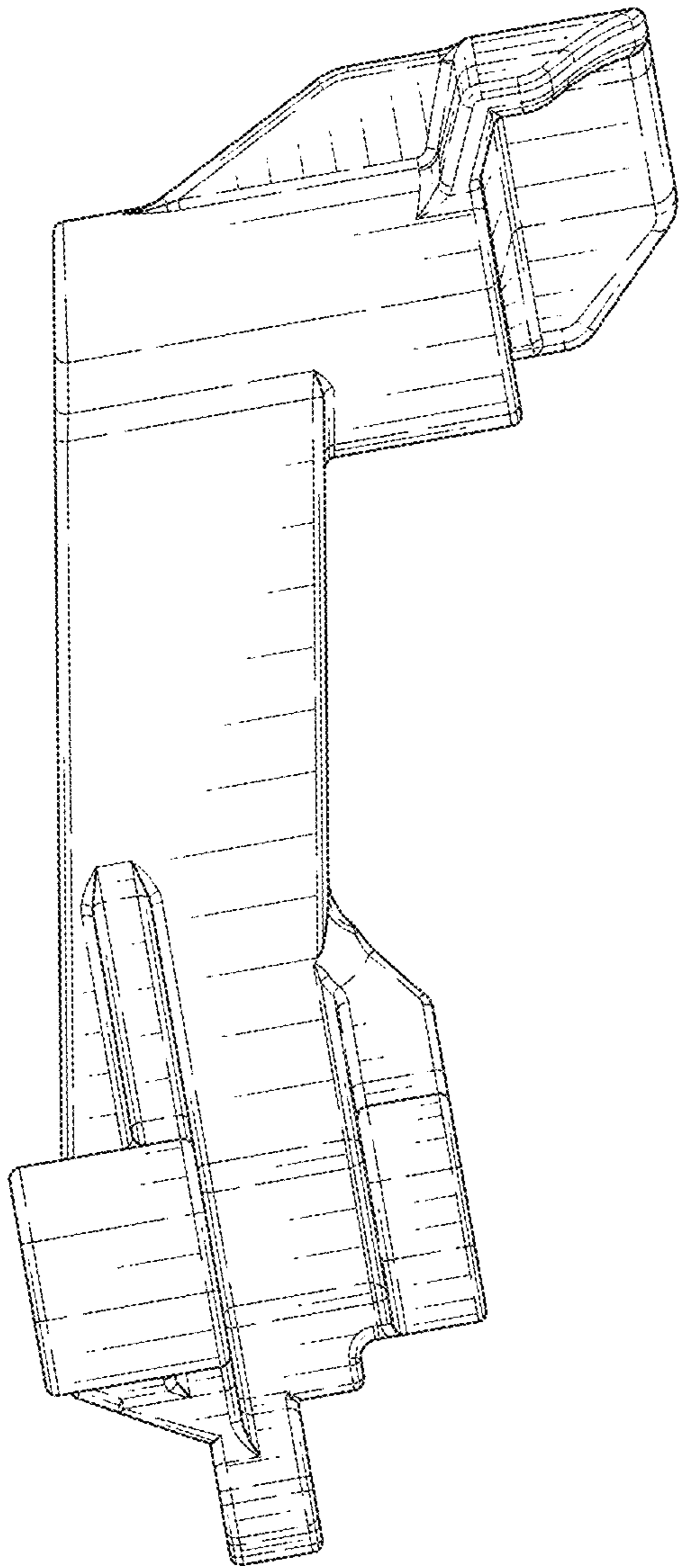


FIG. 9

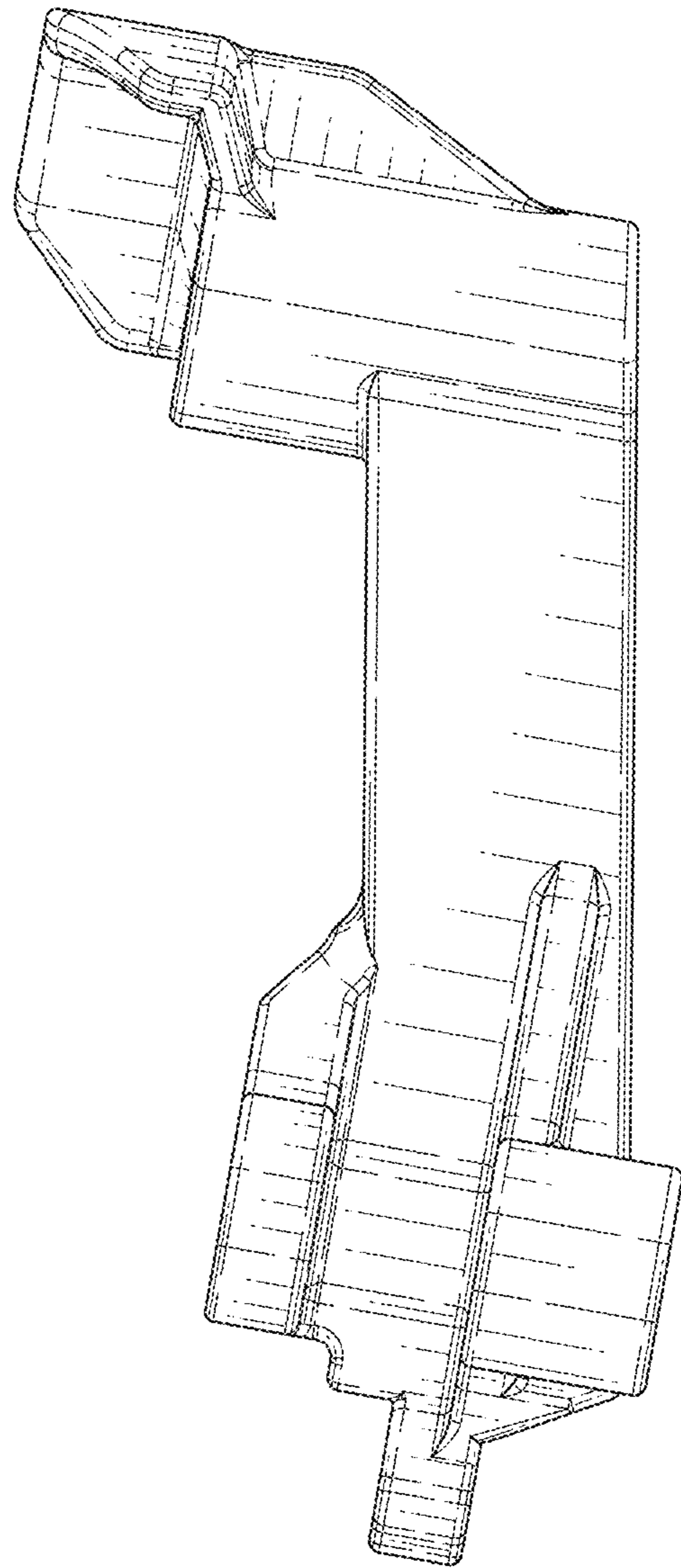


FIG. 10