



US0D1118354S

(12) **United States Design Patent** (10) **Patent No.:** **US D1,118,354 S**
Rutledge (45) **Date of Patent:** **** Mar. 17, 2026**

(54) **BOTTLE**
(71) Applicant: **SLMP LLC**, McKinney, TX (US)
(72) Inventor: **Troy Rutledge**, Arlington, WA (US)
(73) Assignee: **SLMP LLC**, McKinney, TX (US)
(**) Term: **15 Years**

D852,632 S * 7/2019 Bradley D9/563
D867,887 S * 11/2019 Ko D9/423
D870,549 S * 12/2019 Logue D9/415
D887,277 S * 6/2020 Allison D9/563
D895,426 S * 9/2020 Shmueli D9/528
D976,708 S * 1/2023 Terry D9/528
D1,031,448 S * 6/2024 Terry D9/531

(21) Appl. No.: **29/952,200**

FOREIGN PATENT DOCUMENTS

CN 202330238381.7 * 9/2023

(22) Filed: **Jul. 15, 2024**

OTHER PUBLICATIONS

(51) **LOC (15) Cl.** **09-01**

OEM ODM 2L HDPE Plastic Bottle For Chemical Products
121*102*150mm. Online, publish date unknown. Retrieved on Jul.
14, 2025 from URL: <https://www.chemical-container.com/sale-15237147-oem-odm-2l-hdpe-plastic-bottle-for-chemical-products-121-102-150mm.html>.*

(52) **U.S. Cl.**
USPC **D9/528**

(58) **Field of Classification Search**
USPC D9/430-432, 500-503, 516, 520,
D9/522-524, 528-531, 541-545, 547,
D9/549-551, 553, 555, 557-560, 563,
D9/565-566, 571-575, 682, 686, 687,
D9/690, 693-694, 715, 719; D7/509-511
CPC ... B65D 1/00; B65D 1/02; B65D 1/12; B65D
1/18; B65D 1/20; B65D 1/0223; B65D
23/00; B65D 21/0237; B65D 2501/0009;
B65D 2501/0081; B65D 2543/00296;
B65D 2543/00092; B65D 41/26; B65D
2501/00

* cited by examiner

Primary Examiner — Omeed Agilee
(74) *Attorney, Agent, or Firm* — Fredrikson & Byron,
P.A.

See application file for complete search history.

(57) **CLAIM**

The ornamental design for a bottle, as shown and described.

(56) **References Cited**

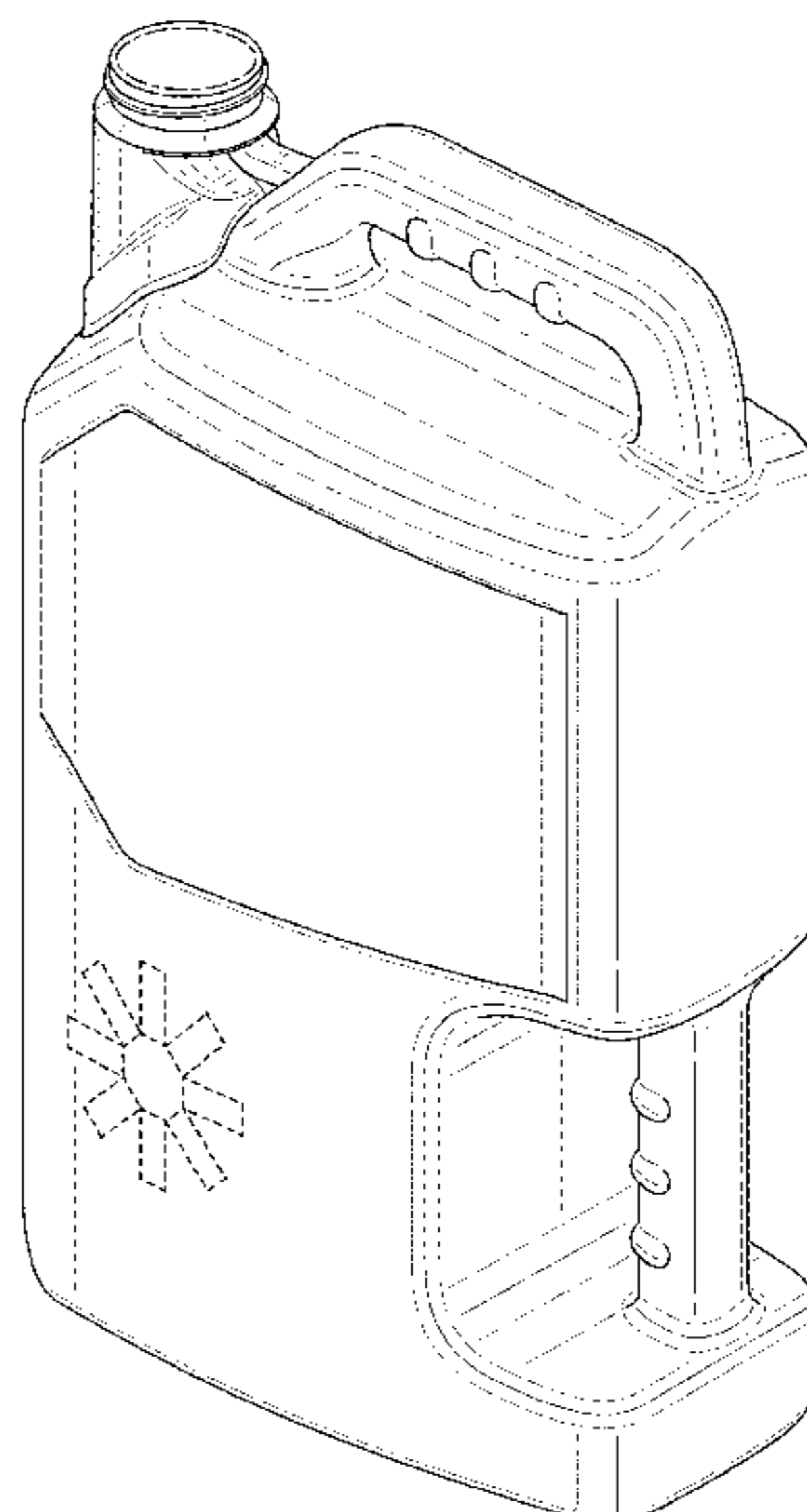
U.S. PATENT DOCUMENTS

D228,230 S * 8/1973 Cutler D9/528
D279,078 S * 6/1985 Franchi D9/528
D286,615 S * 11/1986 Lyons D9/520
D324,495 S * 3/1992 Warrington D9/528
D352,659 S * 11/1994 Nilsson D9/524
D377,604 S * 1/1997 Salmon D9/528
D521,870 S * 5/2006 Miller D9/563
D678,773 S * 3/2013 DiBiasio D9/528
D735,049 S * 7/2015 Cornelius D9/527
D842,114 S * 3/2019 Bradley D9/563

DESCRIPTION

FIG. 1 is an isometric view of a bottle of my new design;
FIG. 2 is a front view thereof;
FIG. 3 is a rear view thereof;
FIG. 4 is a left side view thereof;
FIG. 5 is a right side view thereof;
FIG. 6 is a top view thereof; and,
FIG. 7 is a bottom view thereof.
The dot-dash-dot broken lines depict boundaries of the claim
and form no part thereof. The dashed broken lines depict
portions of the bottle, and form no part of the claimed
design.

1 Claim, 7 Drawing Sheets



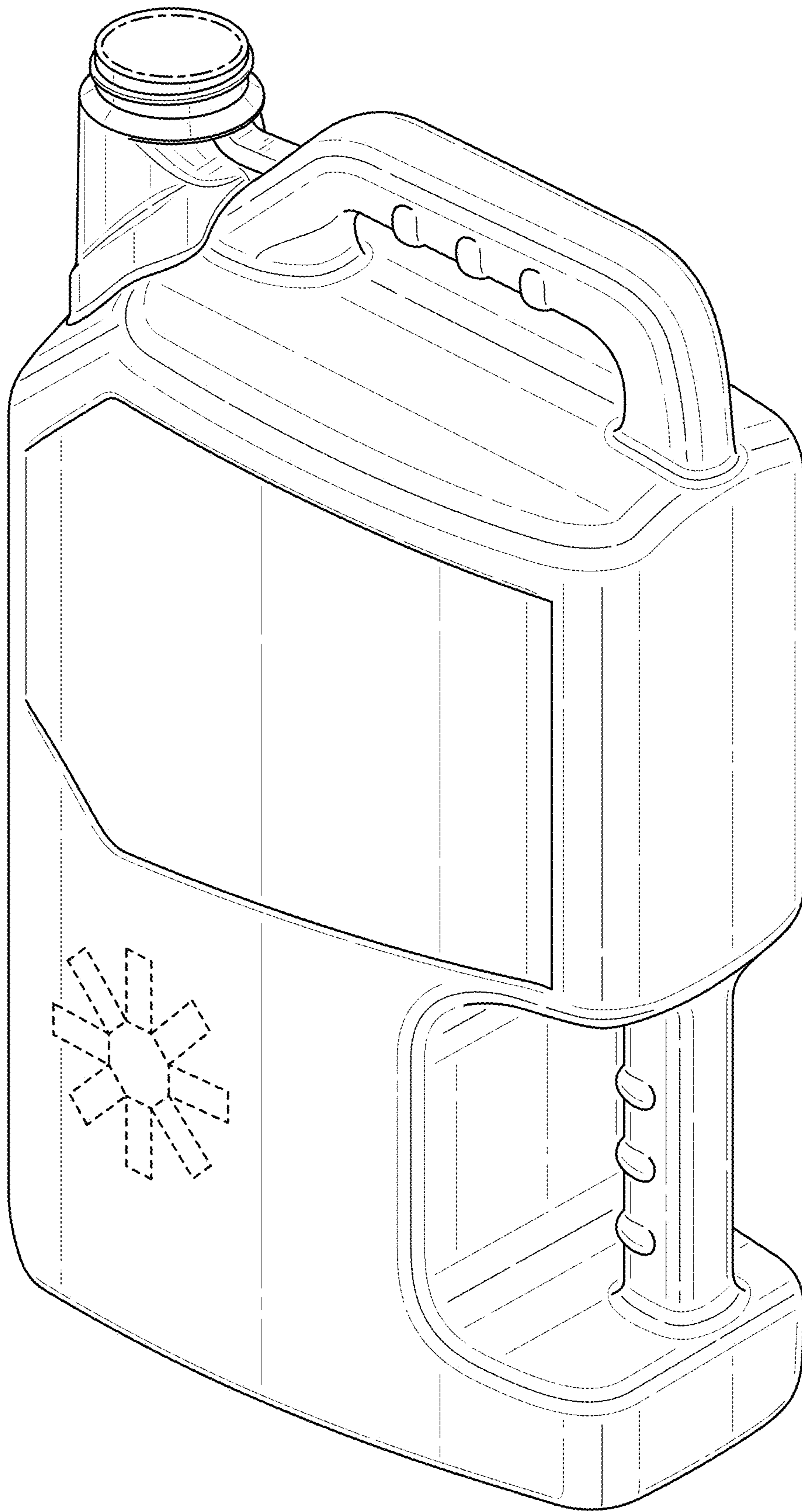


FIG. 1

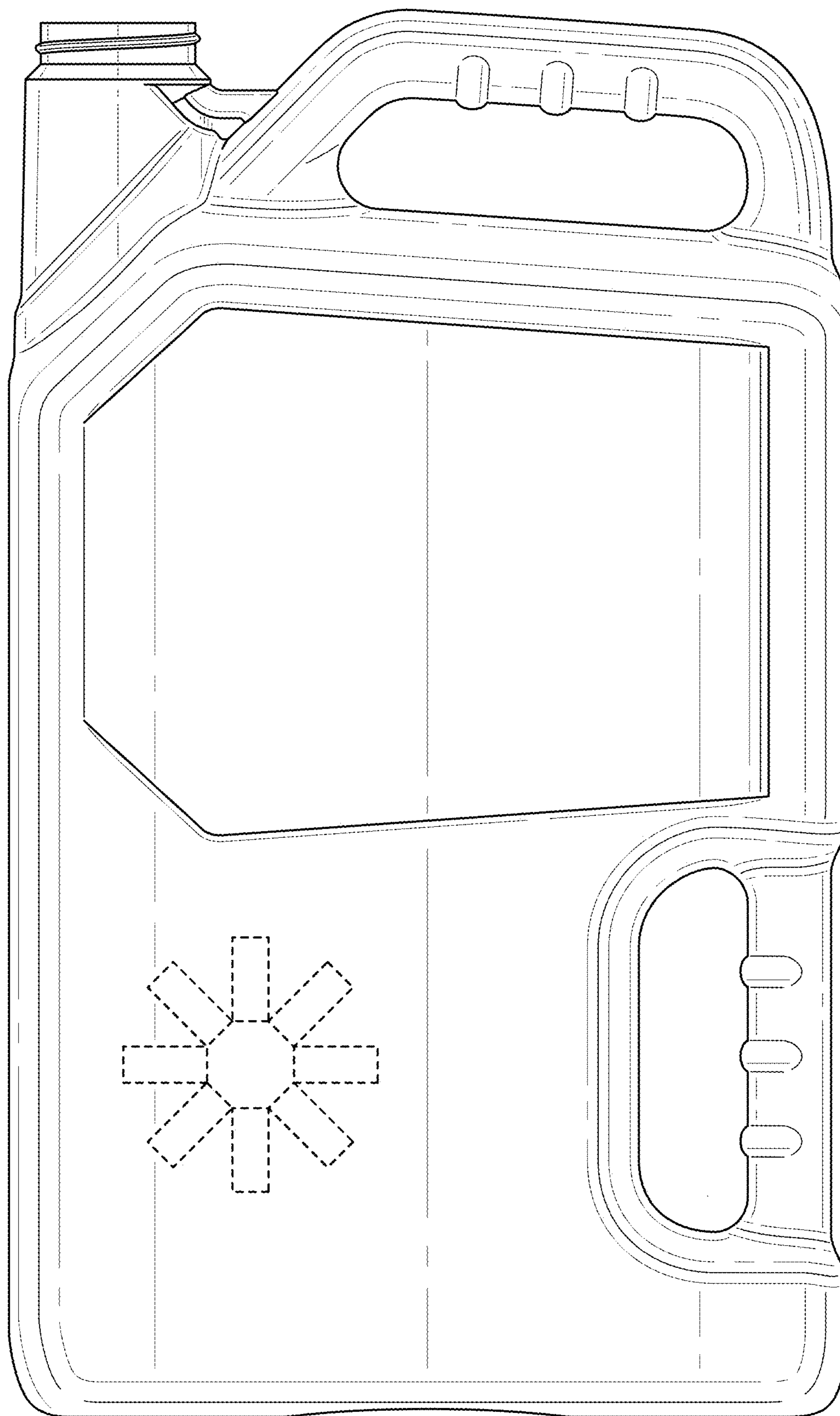


FIG. 2

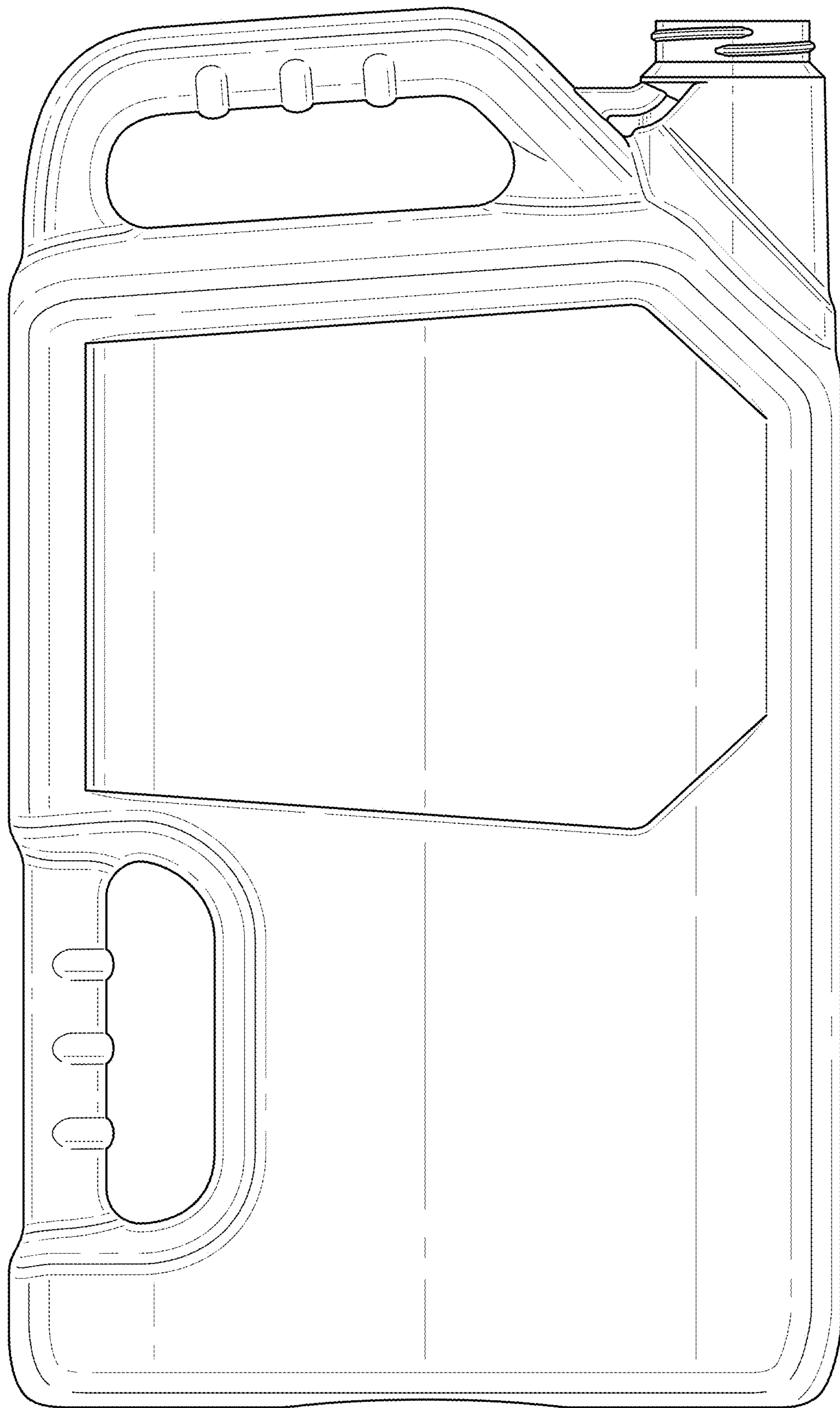


FIG. 3

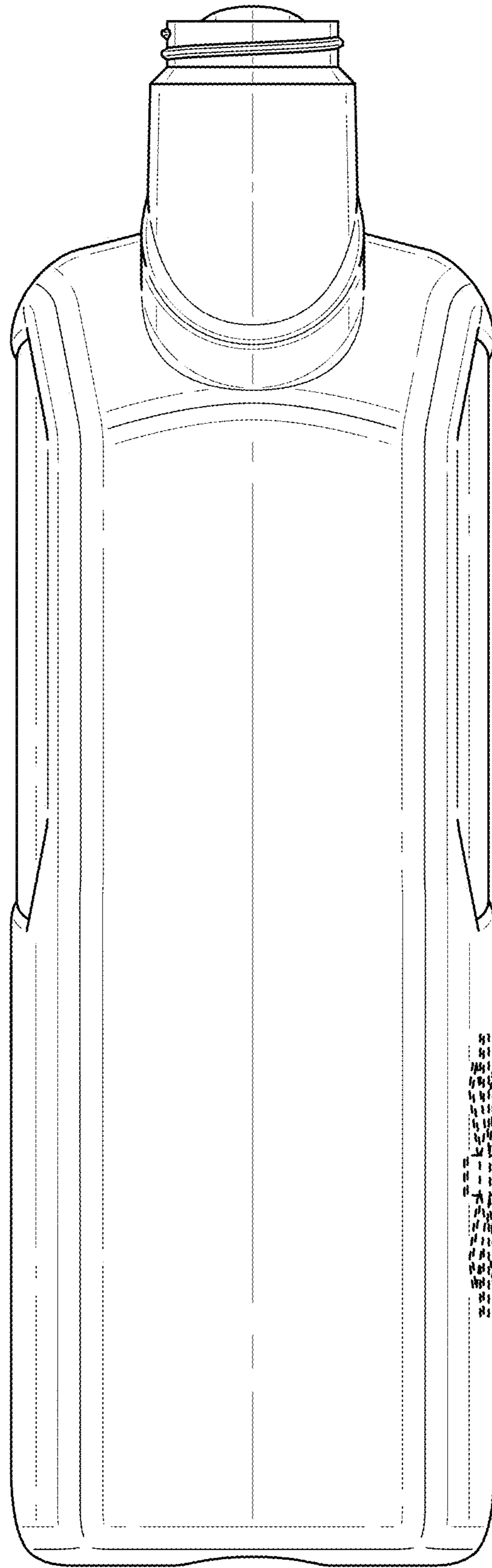


FIG. 4

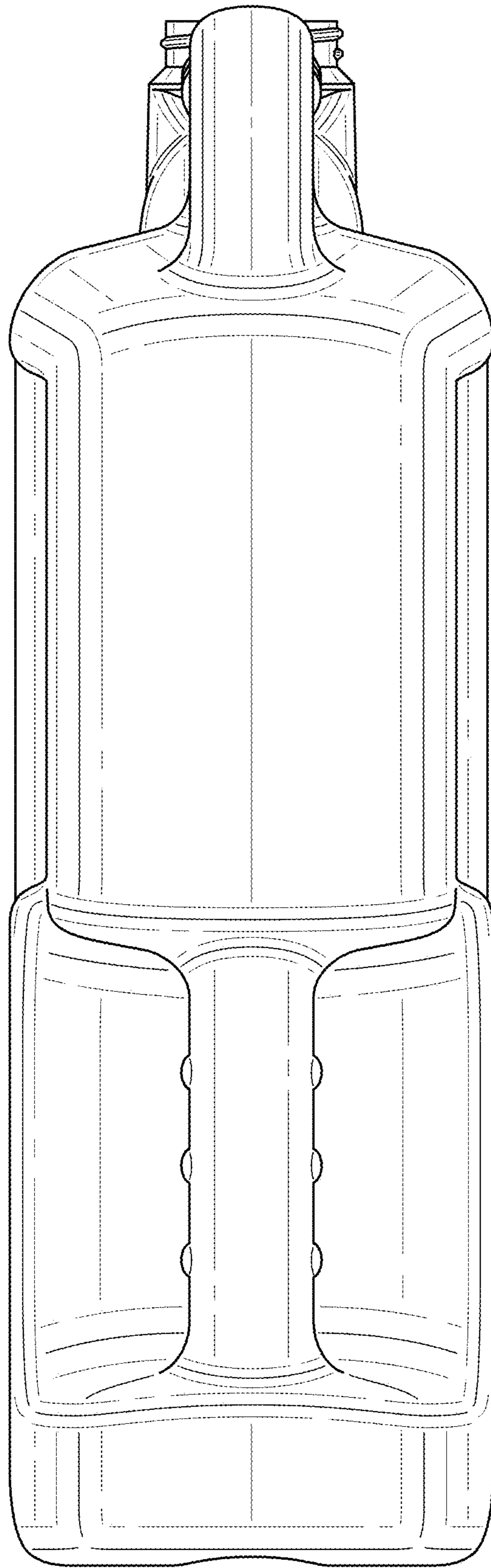


FIG. 5

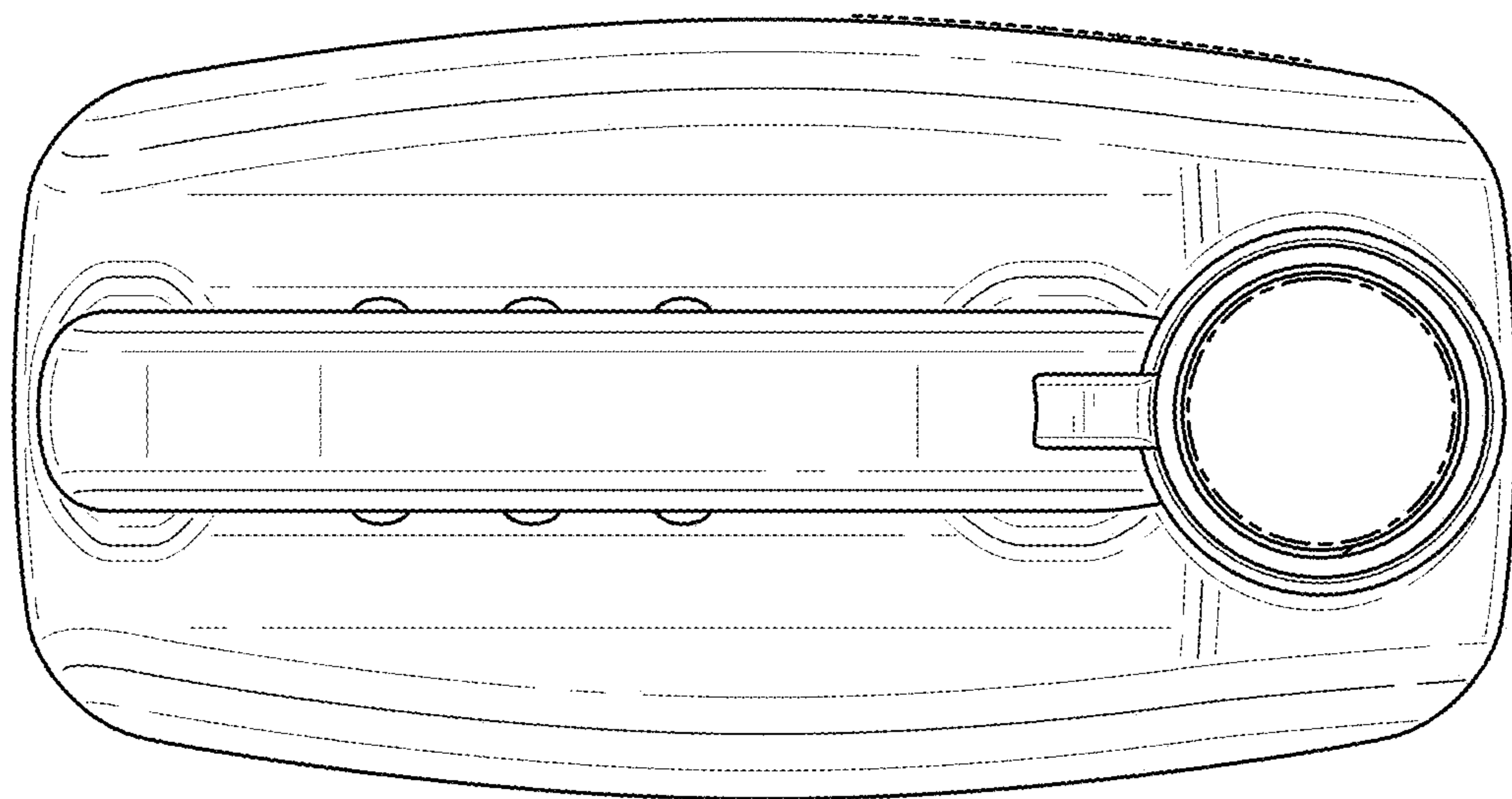


FIG. 6

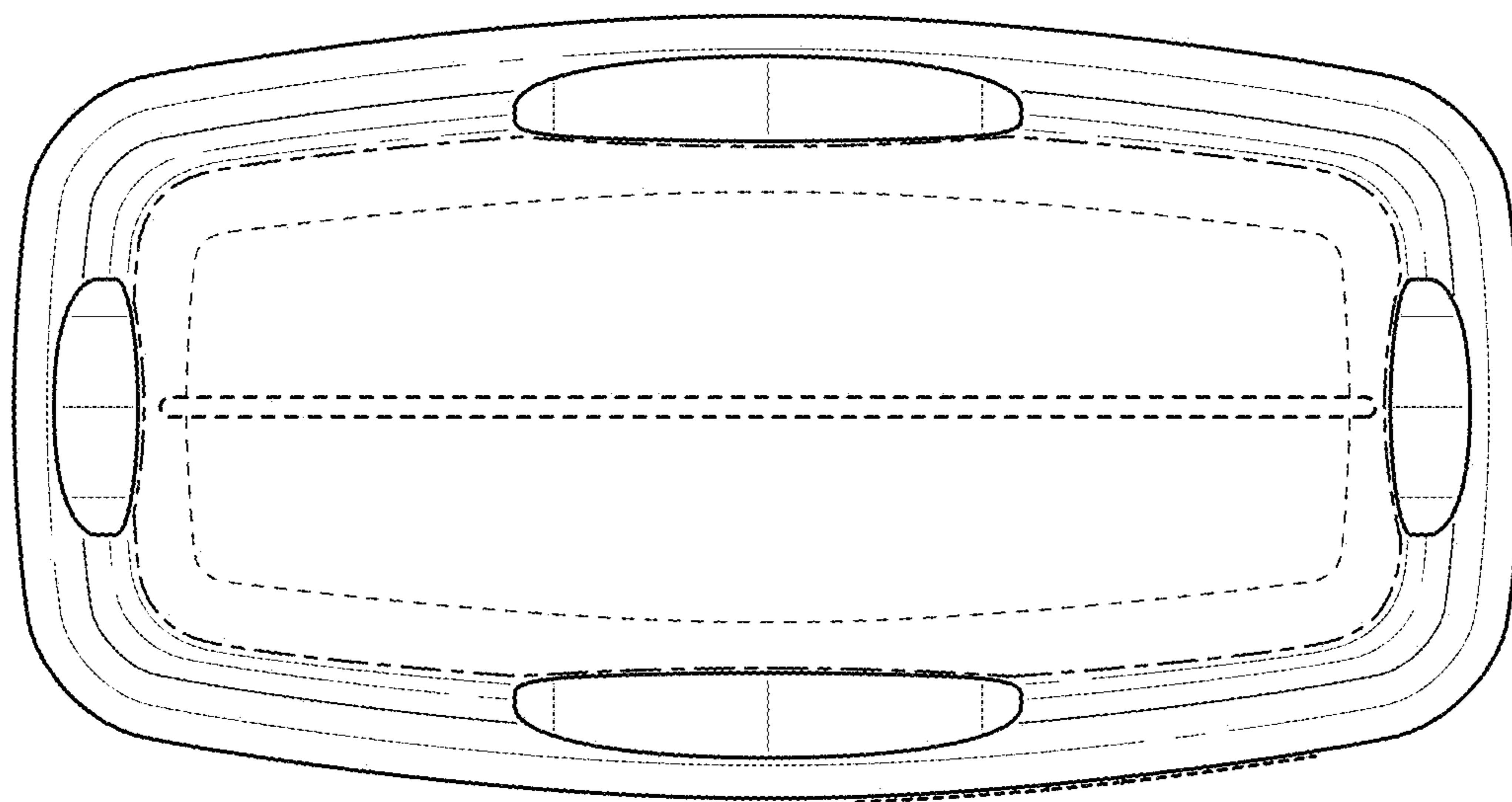


FIG. 7