



US0D1100672S

(12) **United States Design Patent** (10) **Patent No.:** **US D1,100,672 S**
Woloszyk (45) **Date of Patent:** **** Nov. 4, 2025**

(54) **CONTAINER**
(71) Applicant: **AMCOR RIGID PACKAGING USA, LLC**, Ann Arbor, MI (US)
(72) Inventor: **Mark Woloszyk**, Chelsea, MI (US)
(73) Assignee: **AMCOR RIGID PACKAGING USA, LLC**, Ann Arbor, MI (US)

D911,177 S * 2/2021 Da Barp D9/502
D920,119 S * 5/2021 Bilodeau D9/570
D932,300 S * 10/2021 Takaddus D9/516
D932,301 S * 10/2021 Takaddus D9/516
D932,897 S * 10/2021 Moyal D9/557
D932,898 S * 10/2021 Dygert D9/520
D1,066,035 S * 3/2025 Hossain D9/557
D1,075,506 S * 5/2025 Harris D9/558
2005/0127024 A1 * 6/2005 Darr B65D 1/42
215/382

(**) Term: **15 Years**

OTHER PUBLICATIONS

(21) Appl. No.: **29/929,678**

Amcor Rigid Packaging. Online, publish date unknown. Retrieved on Jun. 16, 2025 from URL: <https://www.prosource.org/company/amcor-rigid-packaging?parent-category=materials-containers-and-consumables%2Fcontainers>.*

(22) Filed: **Feb. 23, 2024**

(51) **LOC (15) Cl.** **09-01**

(52) **U.S. Cl.**
USPC **D9/557; D9/500**

* cited by examiner

(58) **Field of Classification Search**
USPC D9/430-432, 500-503, 516, 520, D9/522-524, 528-531, 541-545, 547, D9/549-551, 553, 555, 558-560, 563, D9/565-566, 571-575, 682, 686, 687, D9/693-694, 715, 719, 557; D7/300, D7/300.1, 316, 317, 598; D23/211, 225
CPC ... B65D 1/00; B65D 1/02; B65D 1/12; B65D 1/18; B65D 1/20; B65D 1/0223; B65D 23/00; B65D 21/0237; B65D 2501/0009; B65D 2501/0081

Primary Examiner — Omeed Agilee
(74) *Attorney, Agent, or Firm* — Harness, Dickey & Pierce, P.L.C.

See application file for complete search history.

(57) **CLAIM**

The ornamental design for a container, as shown and described.

(56) **References Cited**

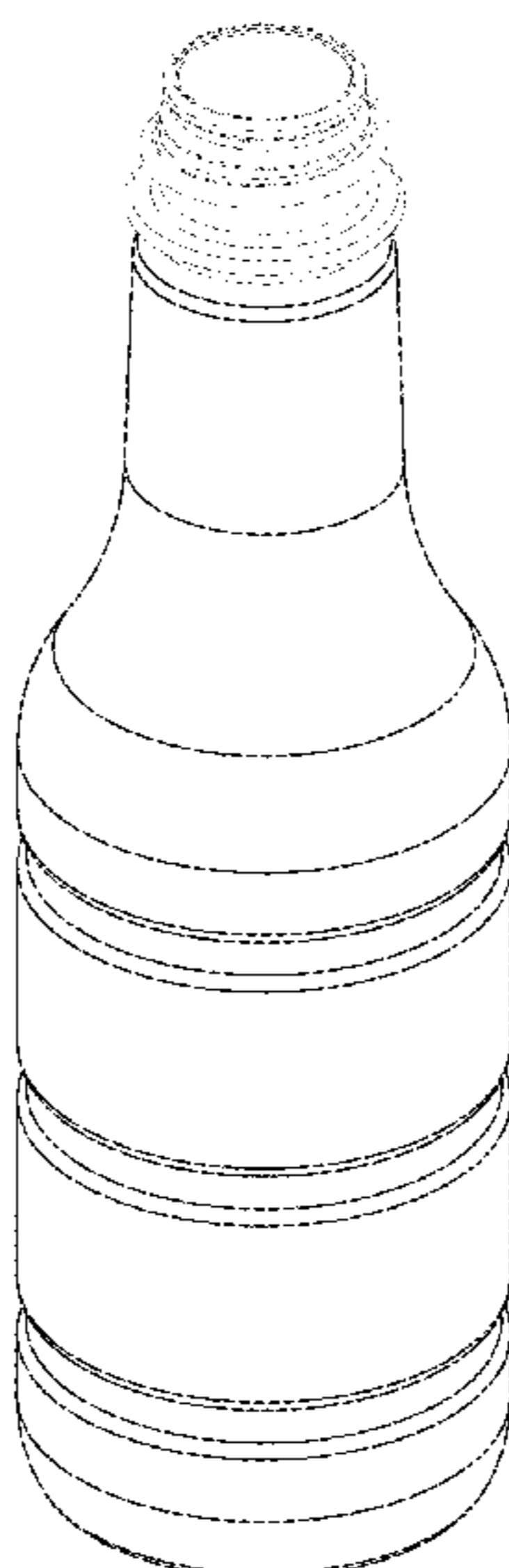
DESCRIPTION

U.S. PATENT DOCUMENTS

D121,707 S * 7/1940 Vogel et al. D9/554
D432,423 S * 10/2000 Rashid D9/502
6,230,912 B1 * 5/2001 Rashid B65D 1/0223
220/672
D475,615 S * 6/2003 Podlucky D9/669
D642,922 S * 8/2011 Kuzma D9/557
D868,587 S * 12/2019 Dutra D9/557
D872,581 S * 1/2020 Dabrowski D9/557
D900,618 S * 11/2020 Chen D9/570

FIG. 1 is a front perspective view of a container showing the new design;
FIG. 2 is a front elevation view thereof, the rear elevation view, the right side elevation view and the left side elevation view being mirror images;
FIG. 3 is a cross-sectional view of the container along line 3-3 of FIG. 2;
FIG. 4 is a top plan view thereof; and,
FIG. 5 is a bottom plan view thereof.
The broken lines in the drawings illustrate portions of the container that form no part of the claimed design.

1 Claim, 5 Drawing Sheets



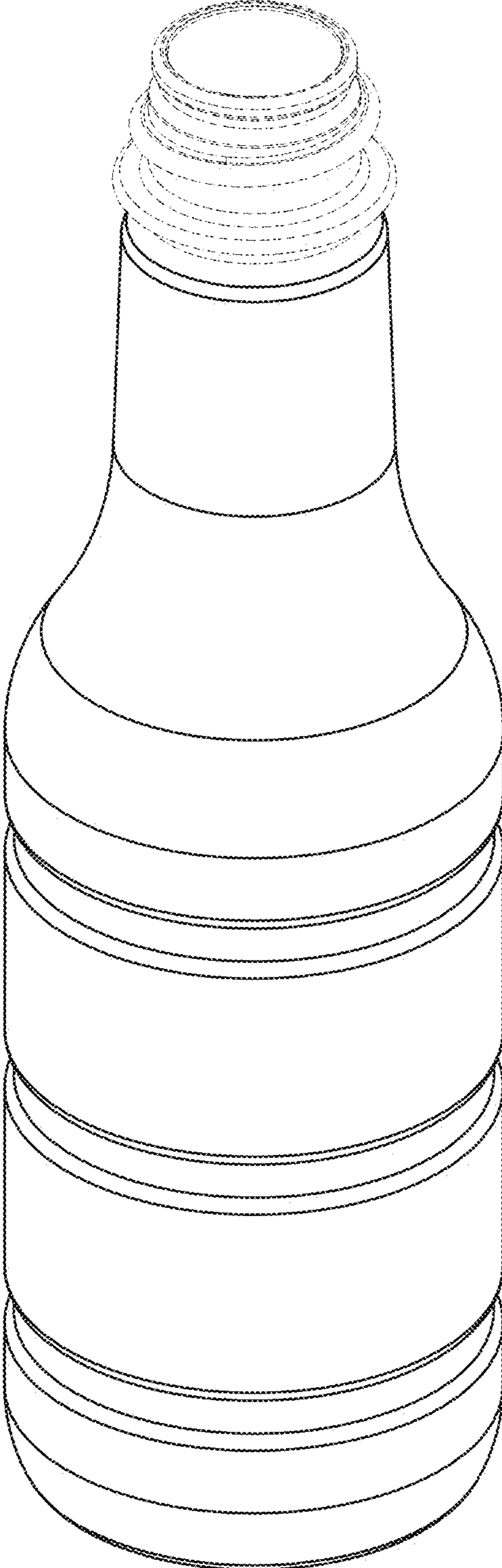


FIG. 1

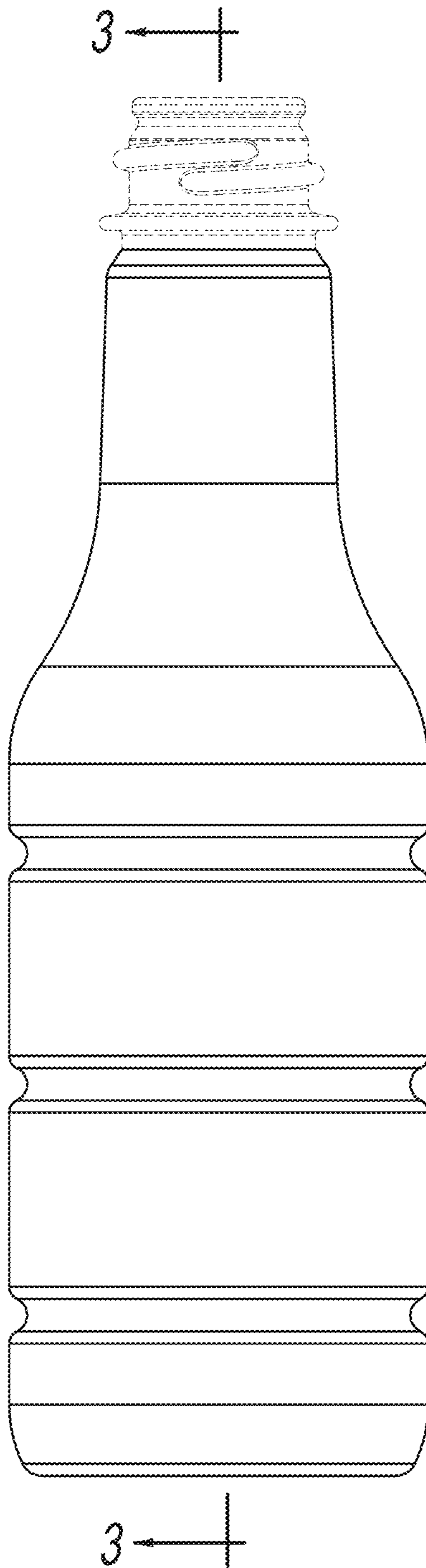


FIG. 2

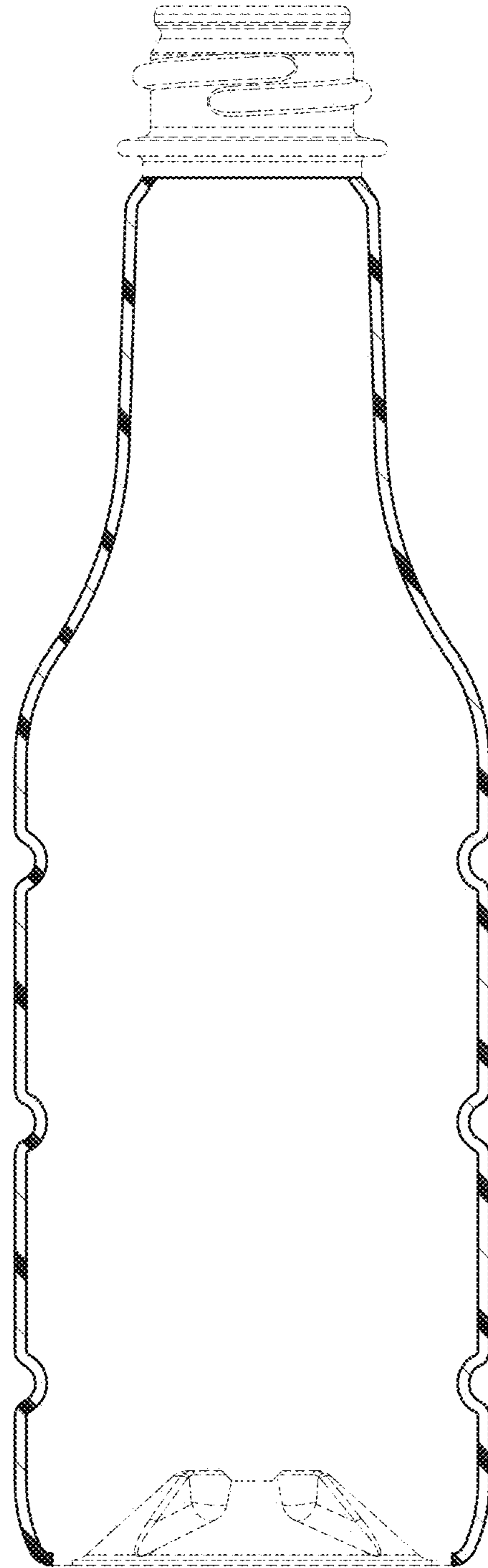


FIG. 3

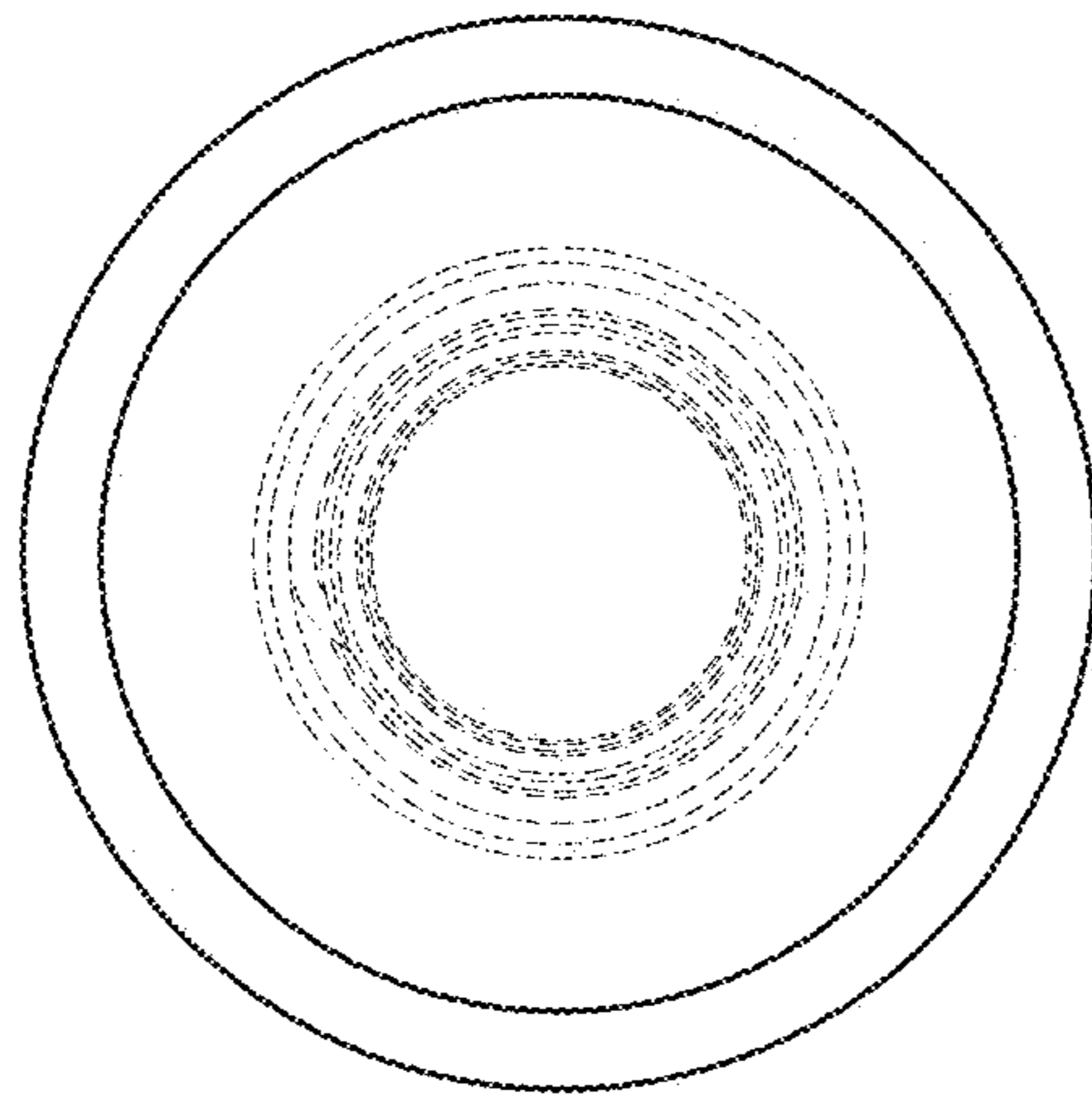


FIG. 4

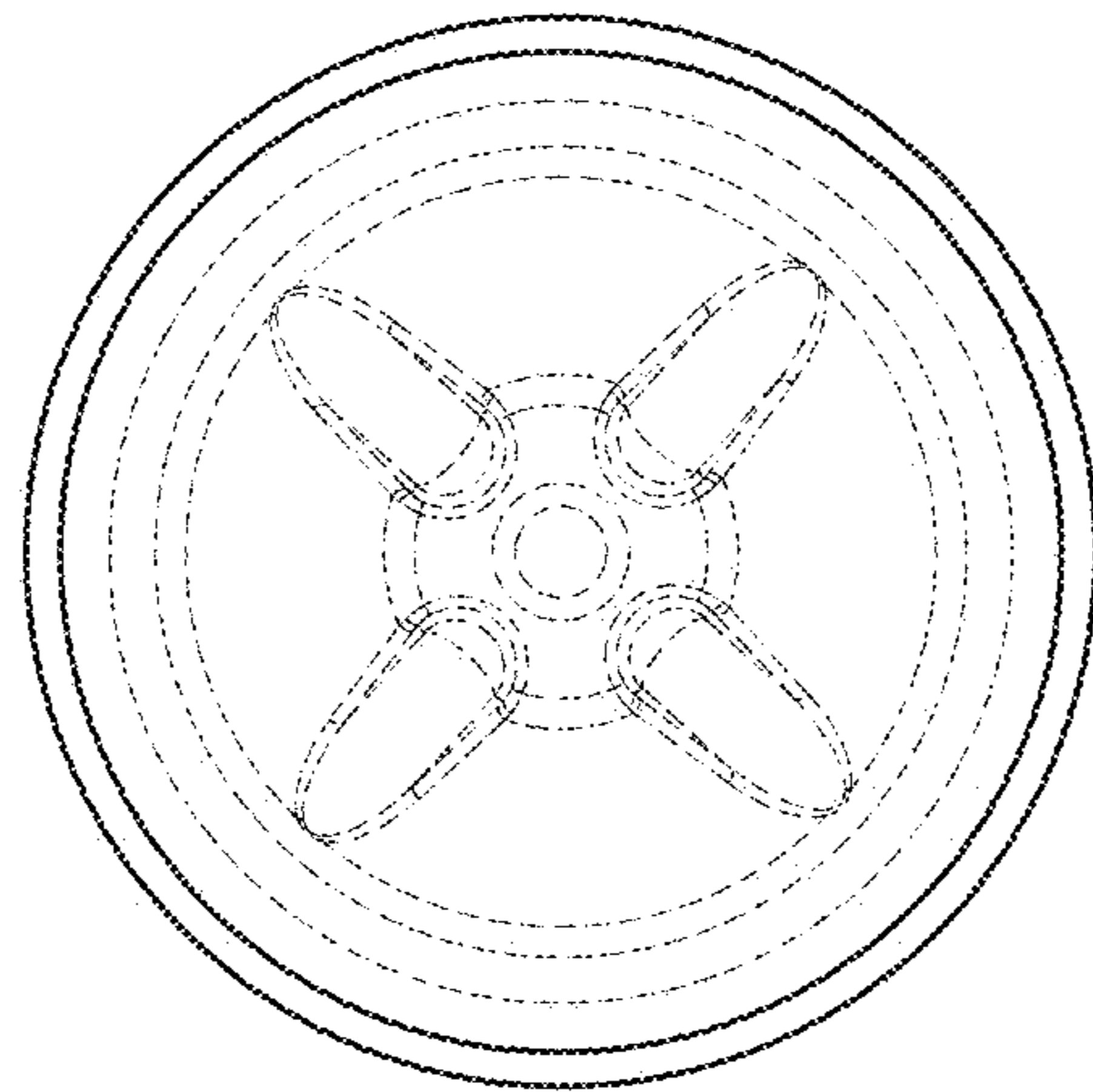


FIG. 5