

US0D1095154S

(12) **United States Design Patent** (10) **Patent No.: US D1,095,154 S**
Mkrtchyan (45) **Date of Patent: ** Sep. 30, 2025**

(54) **MODULAR BEVERAGE CONTAINER**

FOREIGN PATENT DOCUMENTS

(71) Applicant: **Harutyun Mkrtchyan**, Las Vegas, NV (US)

RU 2596450 C2 9/2016

(72) Inventor: **Harutyun Mkrtchyan**, Las Vegas, NV (US)

OTHER PUBLICATIONS

(**) Term: **15 Years**

Royalty Store, 3 Grid Portable Milk Powder Formula Dispenser BPA Free Food Container Infant Bean Storage Box for Kid Care Toddler Travel Bottle, retrieved from Internet, Retrieved on Oct. 30, 2023, <URL: <https://www.aliexpress.us/item/2251832834898785.html?gatewayAdapt=glo2usa>>.

(21) Appl. No.: **29/915,404**

(Continued)

(22) Filed: **Oct. 30, 2023**

Primary Examiner — Andrew Kerr

(51) **LOC (15) Cl.** **07-01**

(57) **CLAIM**

(52) **U.S. Cl.**
USPC **D7/513**

The ornamental design for a modular beverage container, as shown and described.

(58) **Field of Classification Search**
USPC D7/300, 300.1, 392.1, 396.2, 396.6, D7/509–511, 605, 619.1, 513, 512; D9/434, 435, 516, 529, 537, 538, 544, D9/549, 559
CPC A47G 19/22; B65D 51/16; B65D 53/00; A45F 3/16; A45F 3/20
See application file for complete search history.

DESCRIPTION

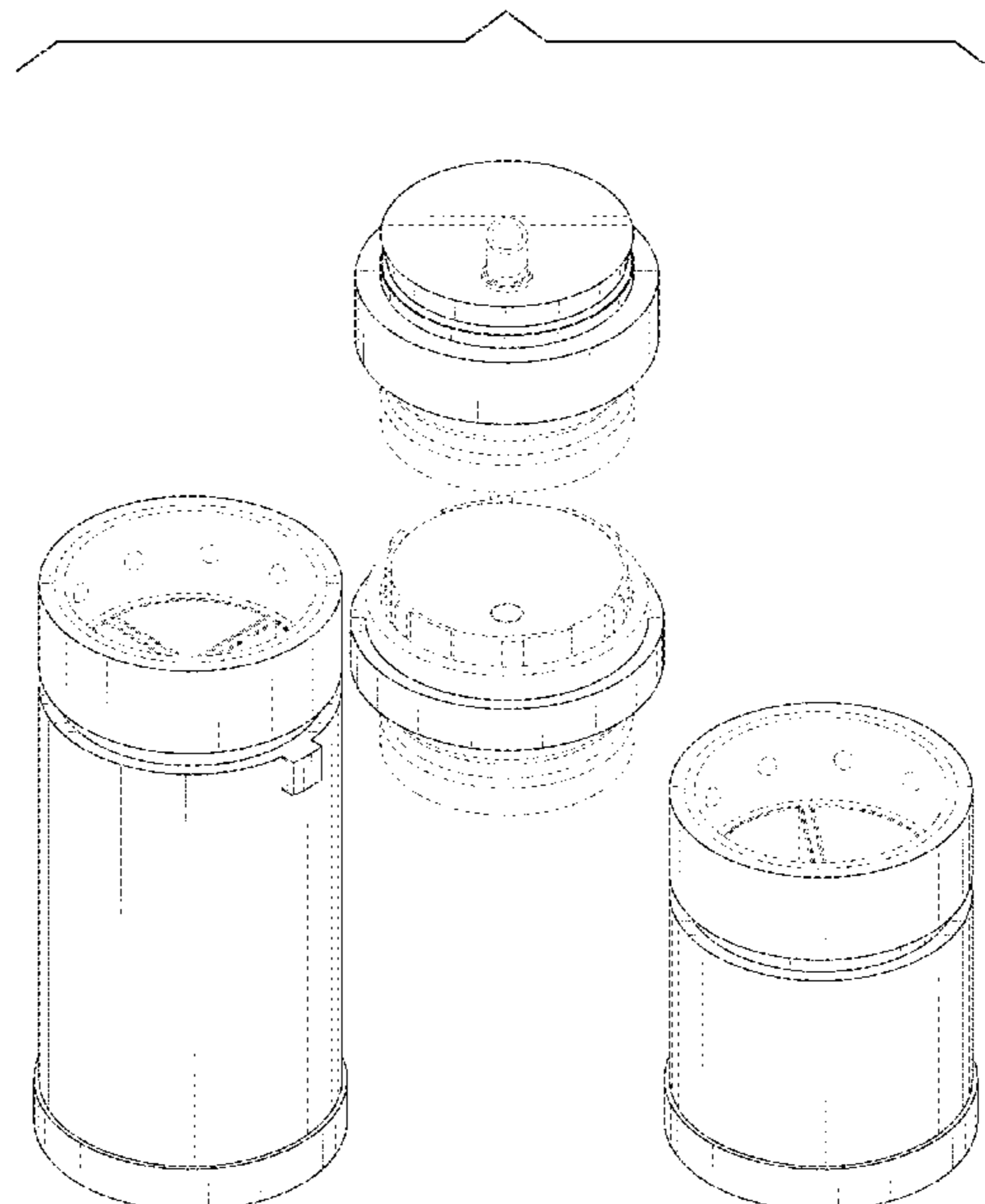
(56) **References Cited**

U.S. PATENT DOCUMENTS

4,989,415	A *	2/1991	Lombness	F25D 31/007 62/372
5,361,604	A *	11/1994	Pier	B65D 81/3883 62/530
5,890,627	A	4/1999	Storey		
11,414,258	B2 *	8/2022	Jacob	B65D 43/0229
D975,504	S *	1/2023	Mobley	D7/608
11,597,582	B1 *	3/2023	French	F25D 3/08
D1,038,671	S *	8/2024	Kim	D9/691
2006/0156811	A1	7/2006	Borowski et al.		
2014/0209621	A1 *	7/2014	Irish	B65D 81/3879 220/739

FIG. 1 is a top-front-left perspective view of a modular beverage container showing my new design in a disassembled configuration;
FIG. 2 is a bottom-front-left perspective view thereof;
FIG. 3 is a top-rear-right perspective view thereof;
FIG. 4 is a bottom-rear-right perspective view thereof;
FIG. 5 is a front elevational view thereof;
FIG. 6 is a rear elevational view thereof;
FIG. 7 is a top plan view thereof;
FIG. 8 is a bottom plan view thereof;
FIG. 9 is a right elevational view thereof;
FIG. 10 is a left elevational view thereof;
FIG. 11 is a top front perspective view of the modular beverage container in an assembled configuration; and,
FIG. 12 is a bottom rear perspective view thereof.
The broken lines in the drawings depict portions of the modular beverage container that form no part of the claimed design.

1 Claim, 12 Drawing Sheets



(56)

References Cited

OTHER PUBLICATIONS

Milk Powder Container, 3 layer Frog Portable Baby Food Storage Box Essential Cereal Cartoon Milk Powder Boxes Toddler Kids Formula Baby Milk Container, retrieved from Internet, Retrieved on Oct. 30, 2023, <URL: https://www.alibaba.com/product-detail/3-layer-Frog-Portable-Baby-Food_1600444083622.html>.

MHW-3Bomber Official Store, MHW-3Bomber Coffee & Food Manual Vacuum Storage Canister Airtight Container Portable Camping Tool Delicate Kitchen Accessories, retrieved from Internet, Retrieved on Oct. 30, 2023, <URL: <https://www.aliexpress.us/item/3256804510542200.html?gatewayAdapt=glo2usa4itemAdapt>>.

Chin-Tai Pharmaceutical Plastic Ltd., AOH-100 Straight Intact Flip Bottle, retrieved from Internet, Retrieved on Oct. 30, 2023, <URL: <https://www.chin-tai.com.tw/web/en-us/product-AOH-100-%E7%9B%B4%E7%AD%92%E5%8E%9F%E5%B0%81%E6%8E%80%E8%93%8B%E7%93%B6-AOH-100.html>>.

* cited by examiner

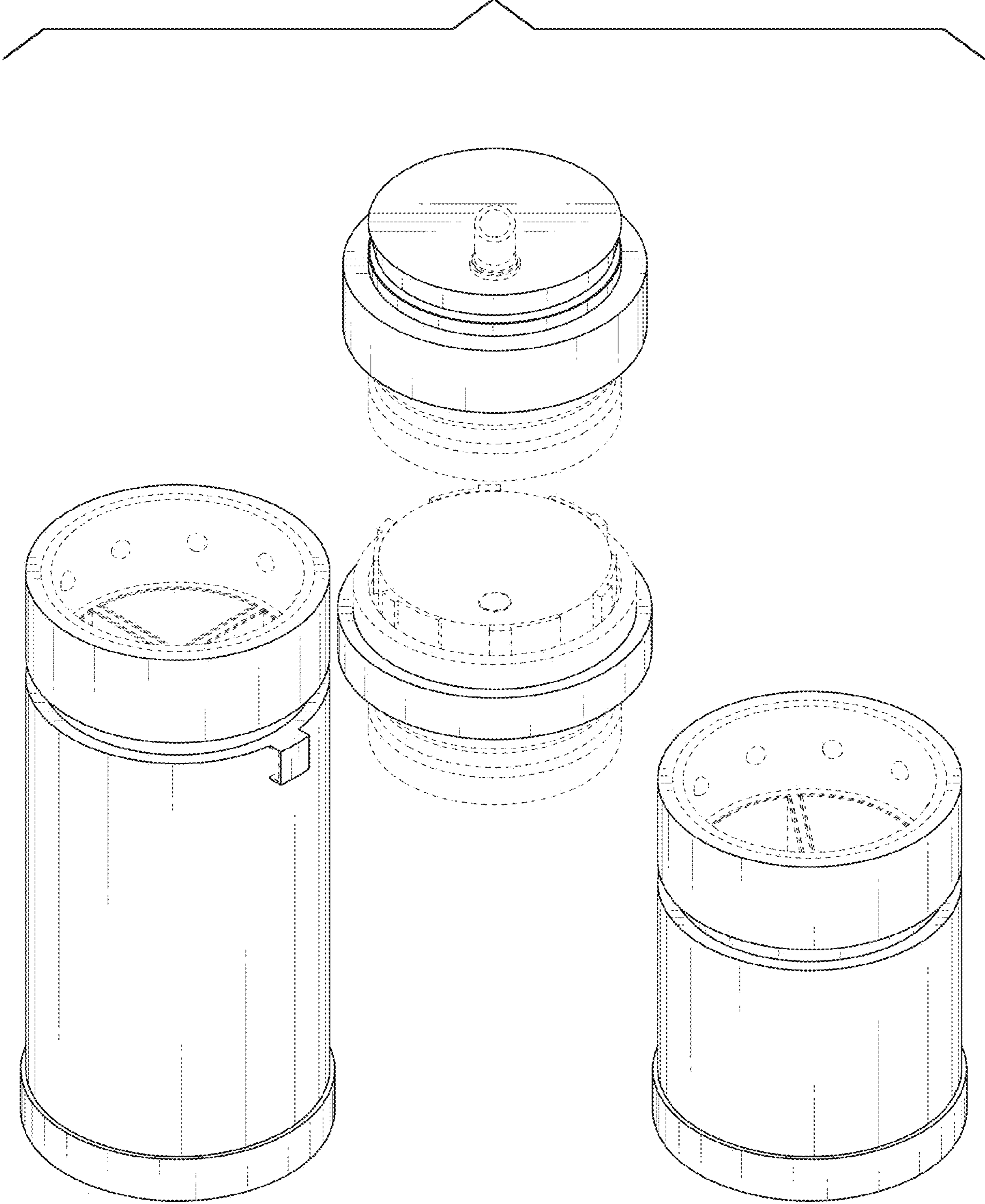


FIG. 1

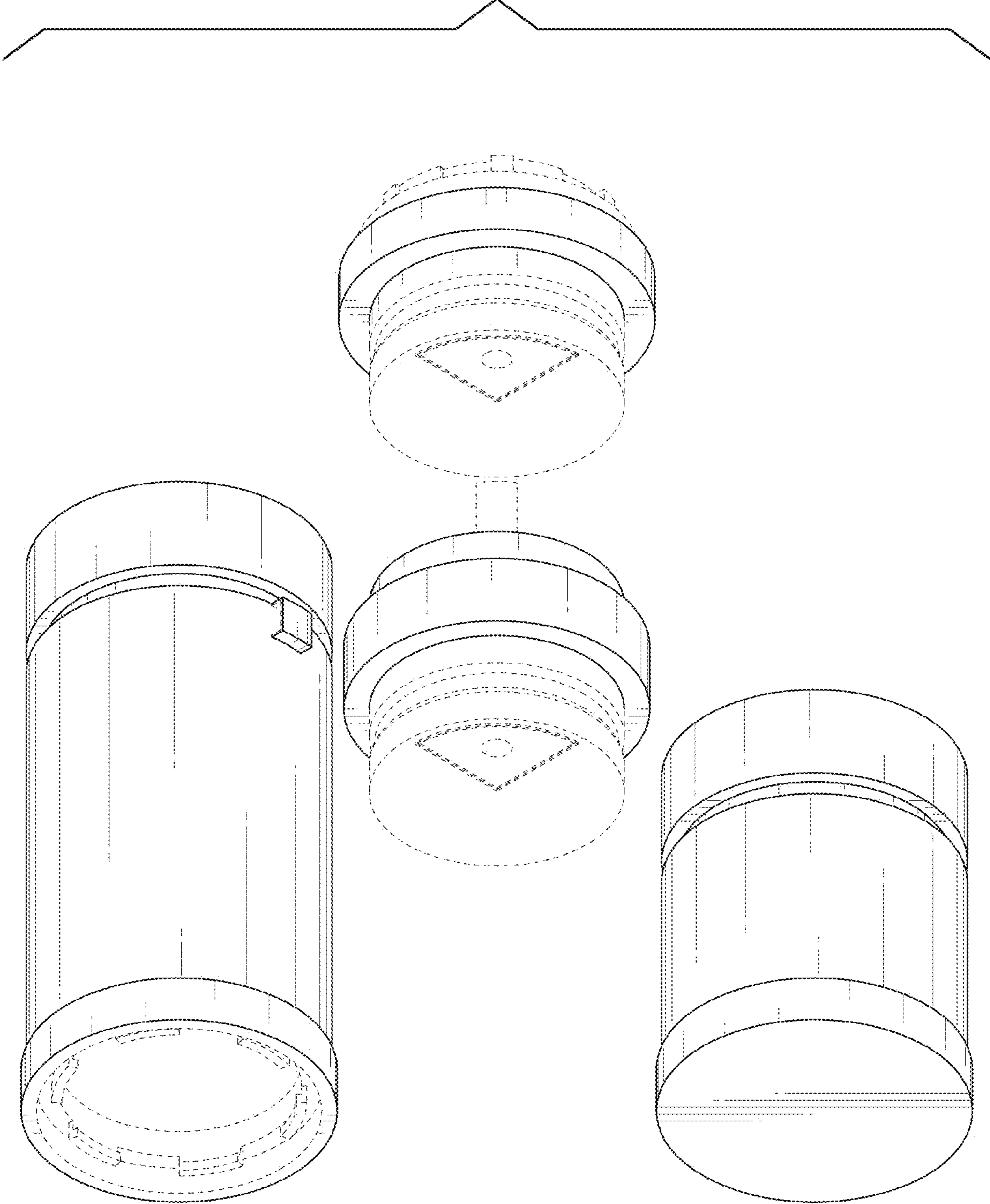


FIG. 2

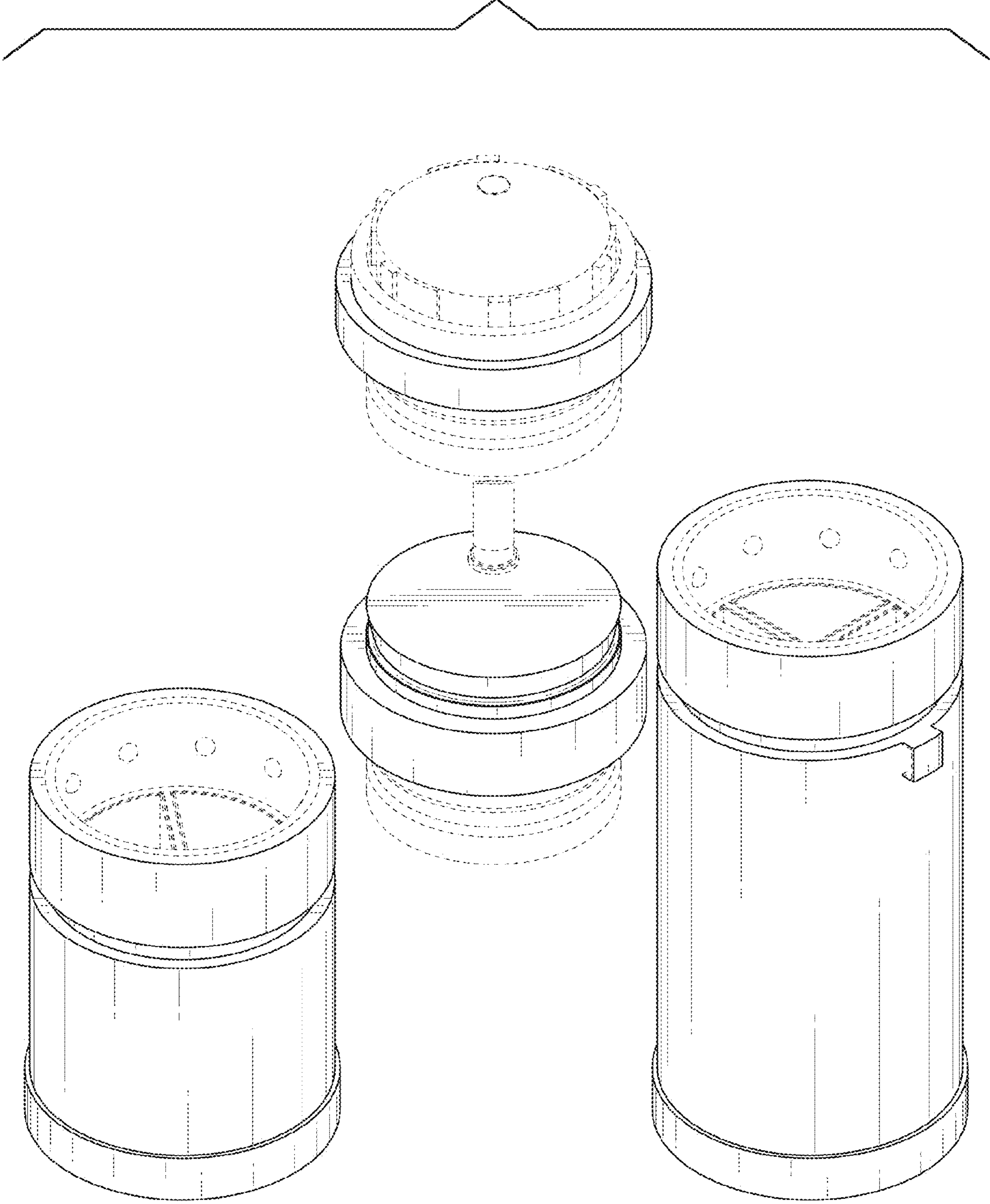


FIG. 3

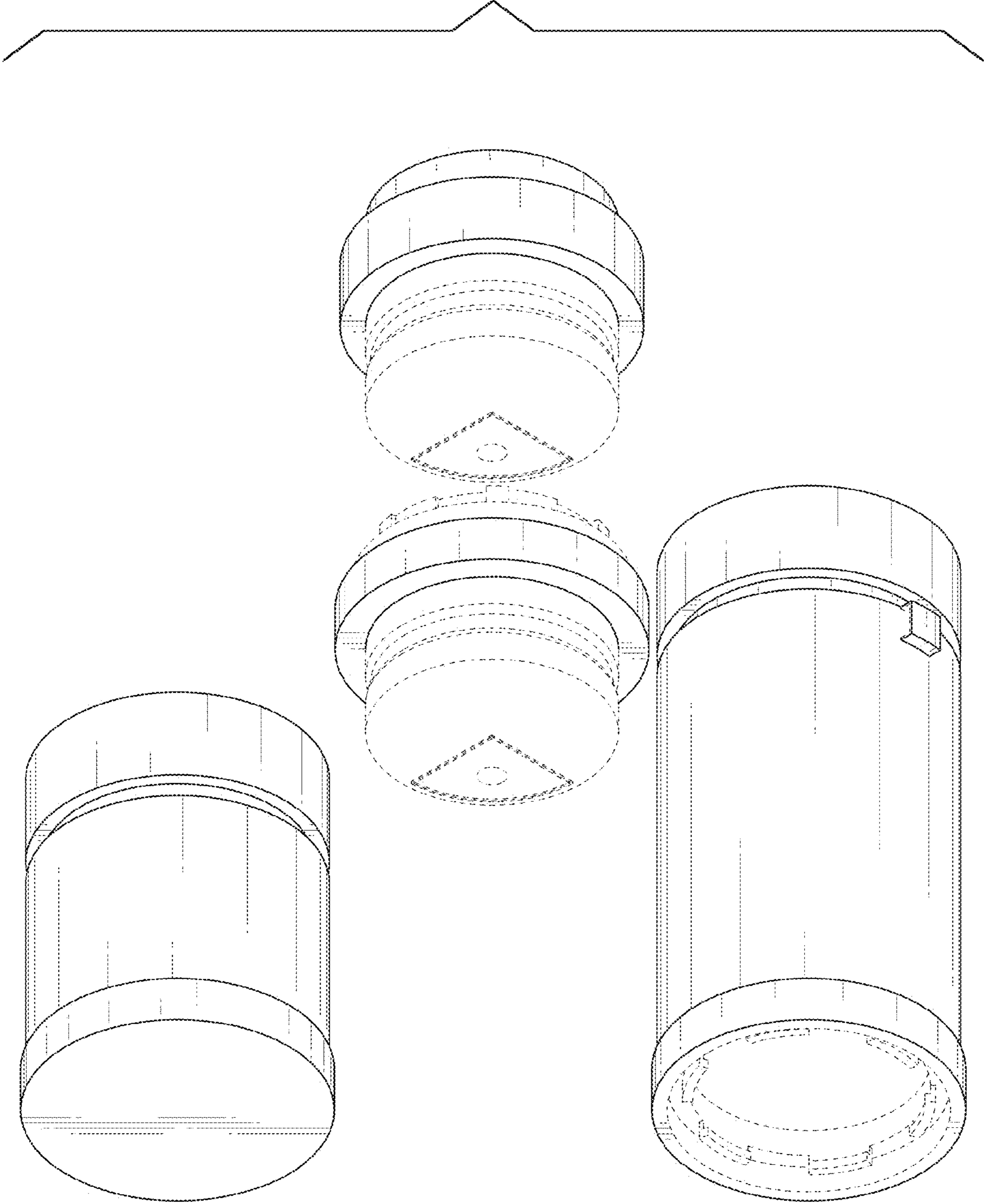


FIG. 4

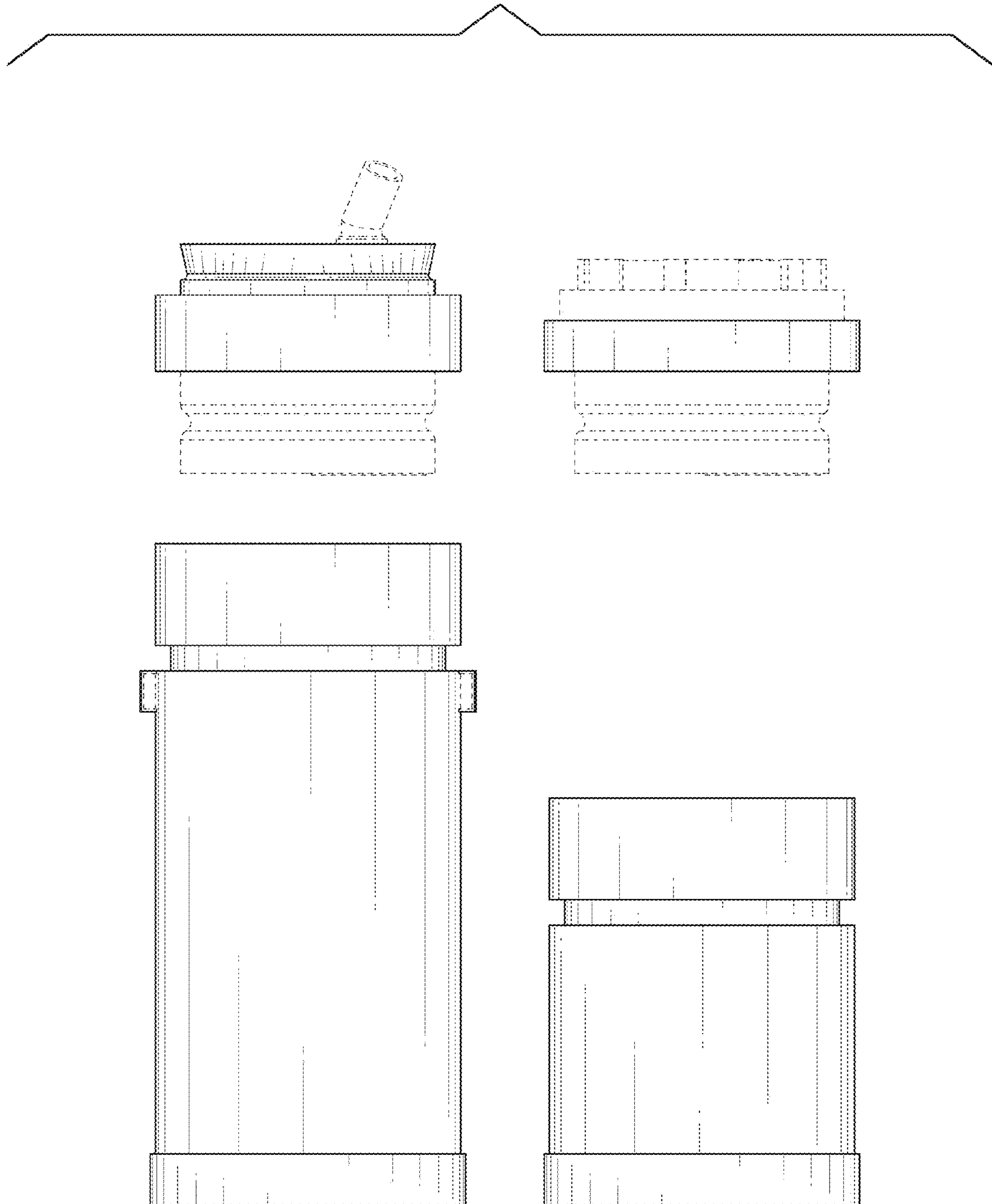


FIG. 5

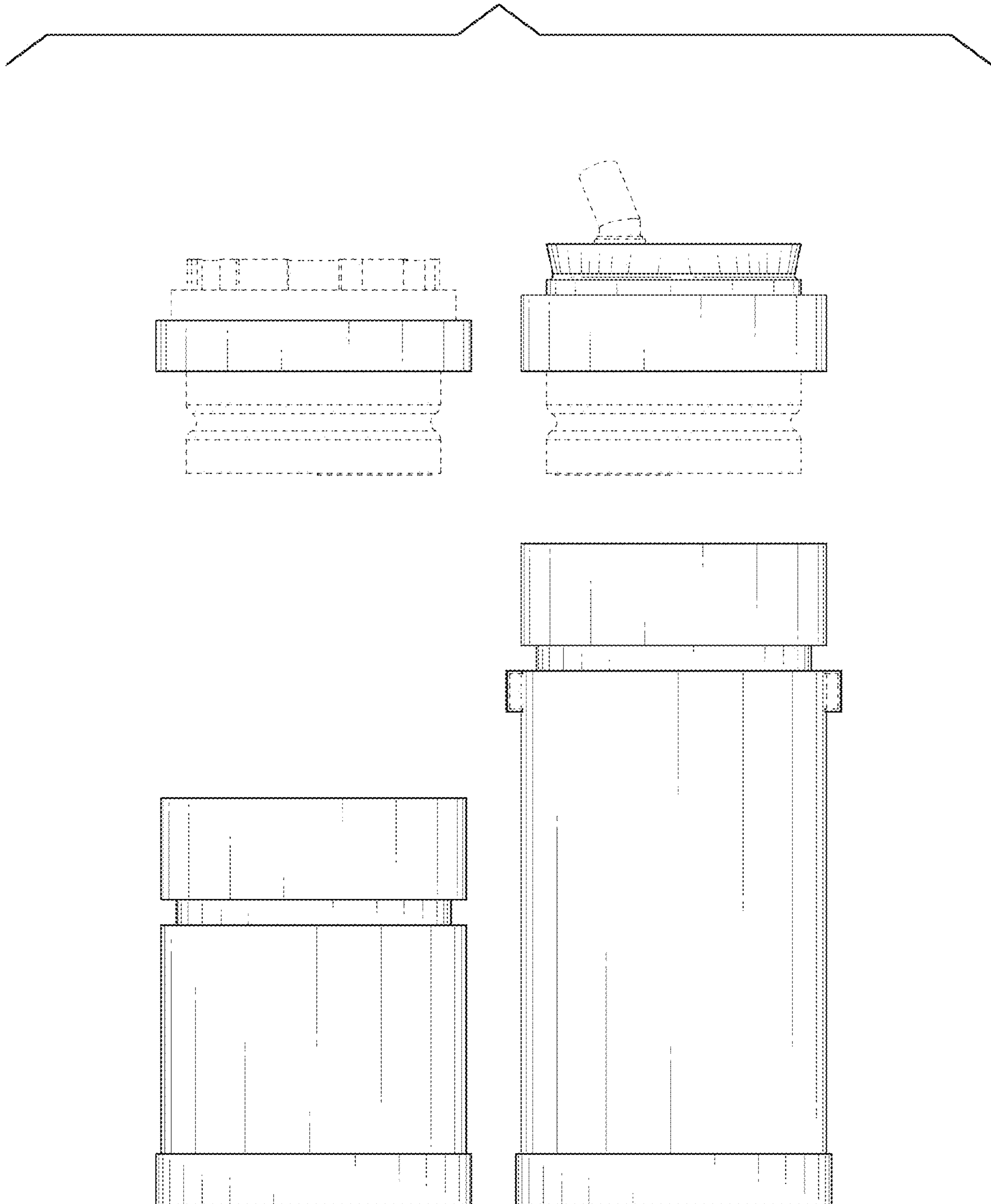


FIG. 6

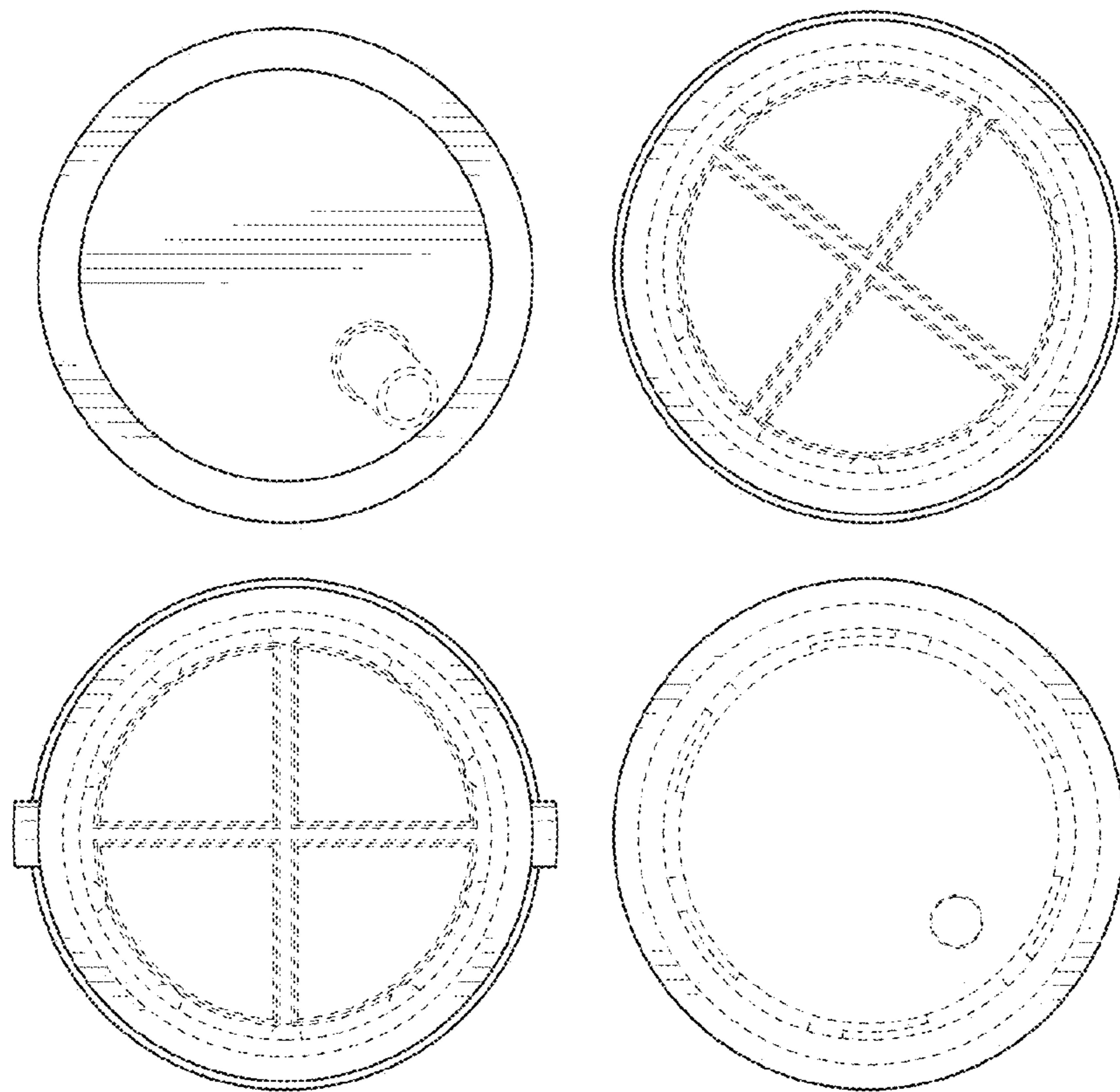
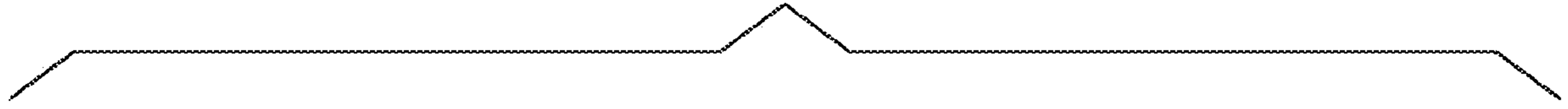


FIG. 7

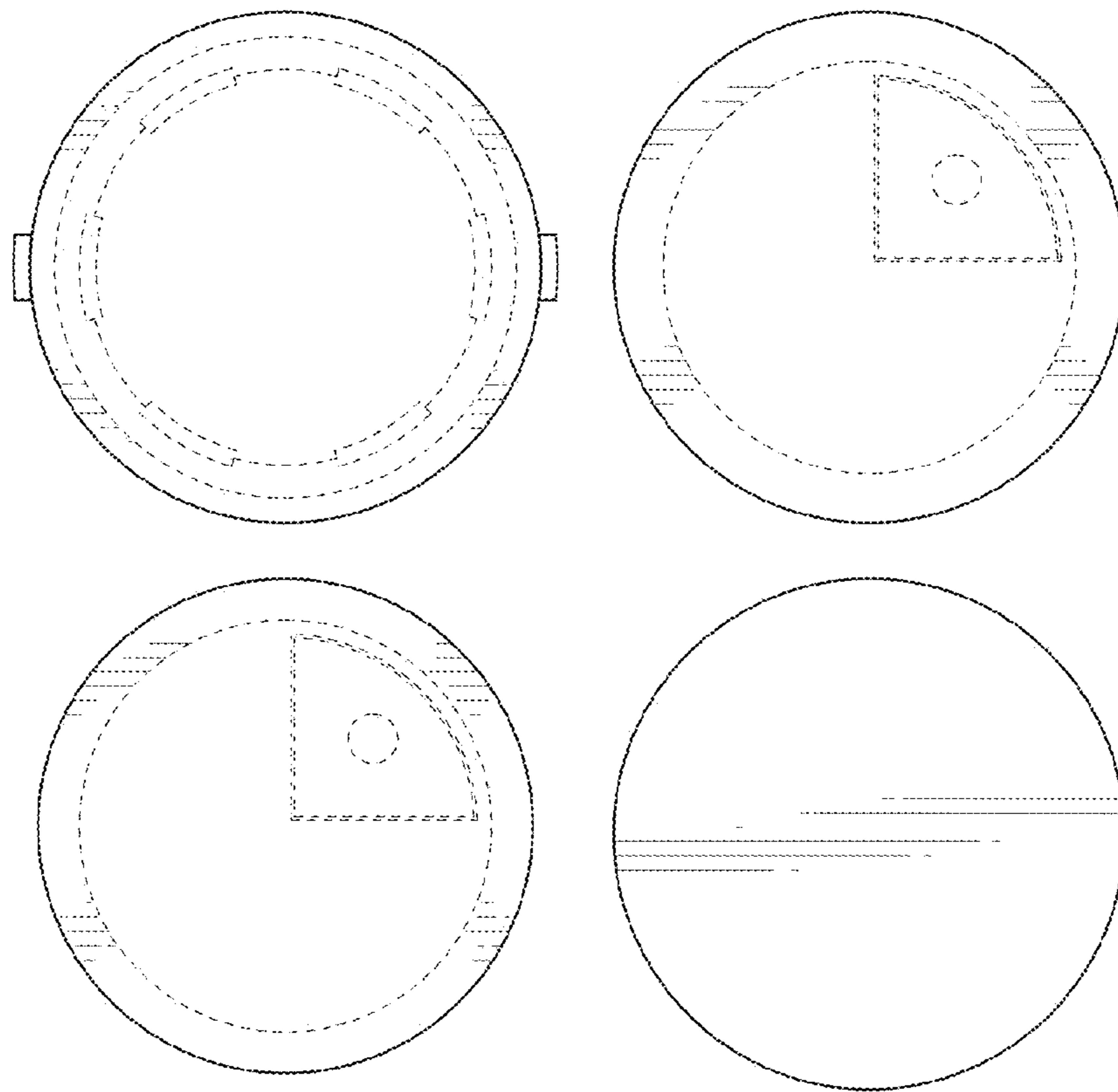


FIG. 8

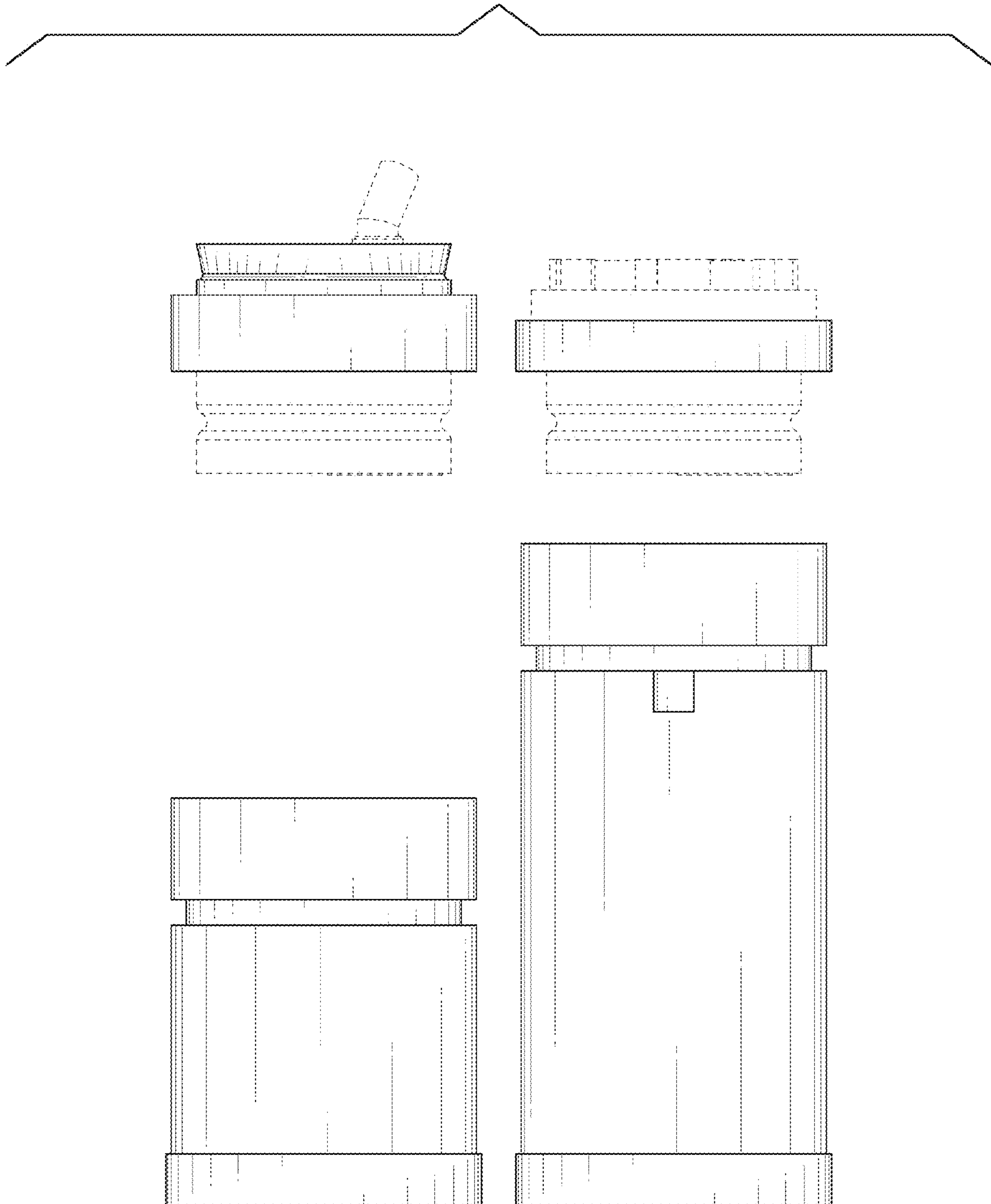


FIG. 9

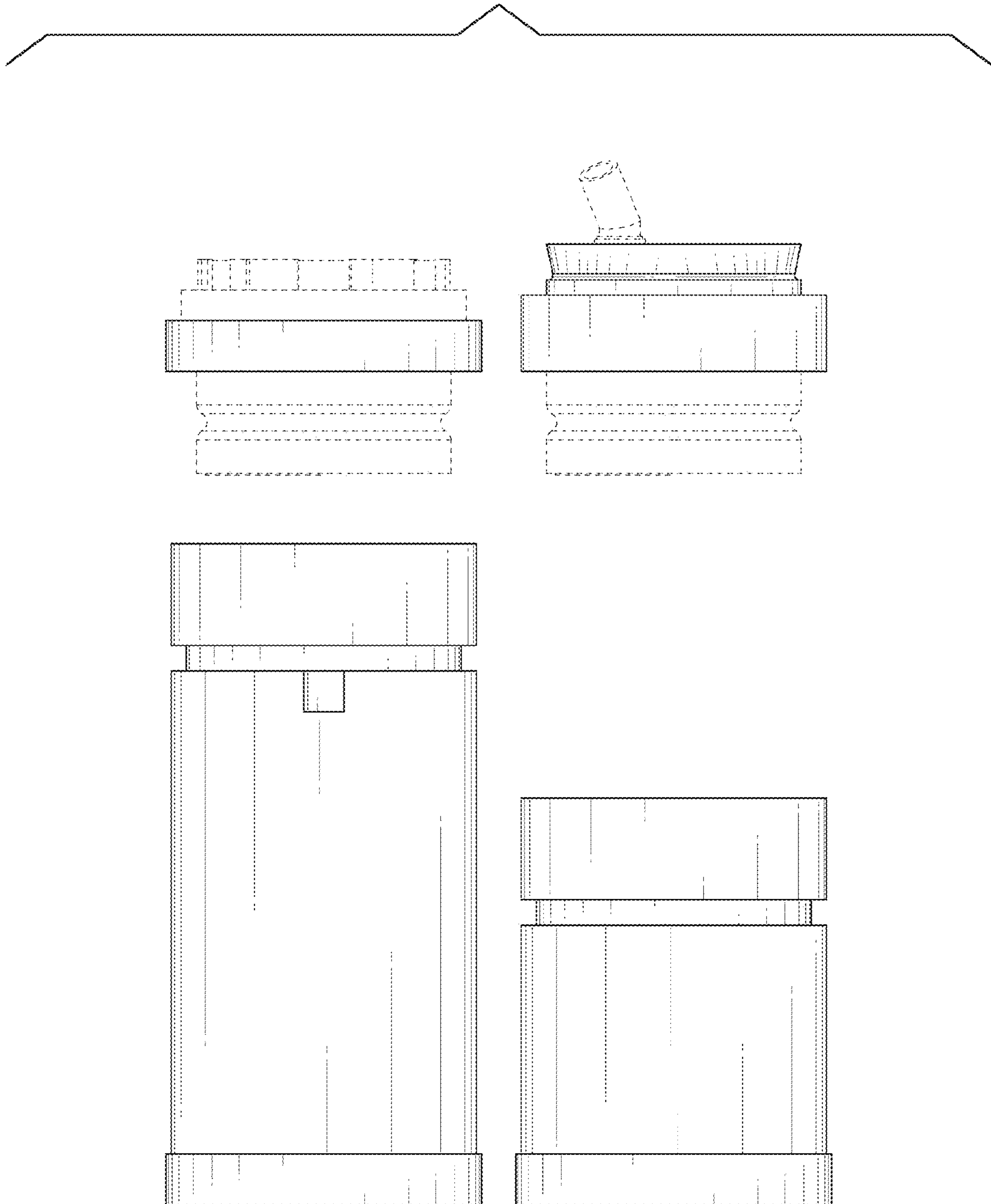


FIG. 10

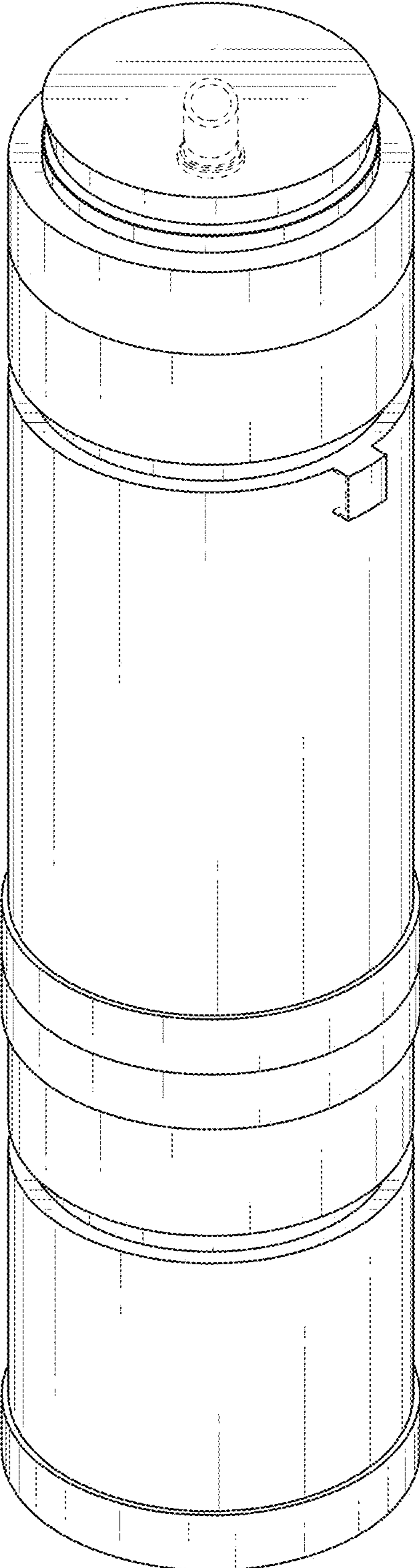


FIG. 11

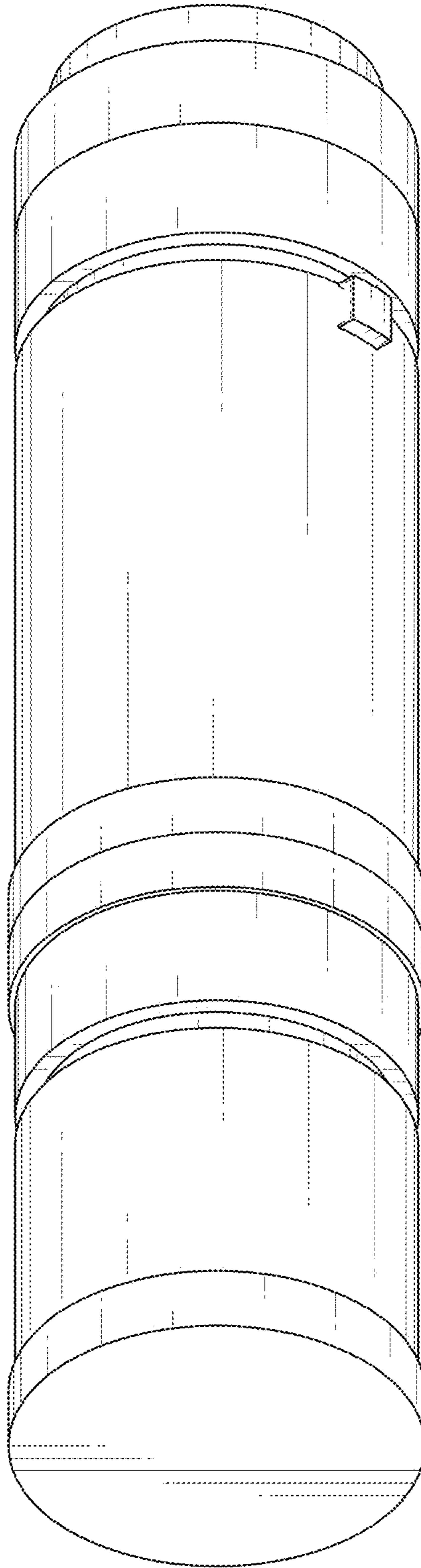


FIG. 12