



US0D1095088S

(12) **United States Design Patent** (10) **Patent No.:** **US D1,095,088 S**
Cao (45) **Date of Patent:** **** Sep. 30, 2025**

(54) **FOLDING MATTRESS**

(71) Applicant: **Zhao Cao**, Beijing (CN)

(72) Inventor: **Zhao Cao**, Beijing (CN)

(**) Term: **15 Years**

(21) Appl. No.: **29/981,400**

(22) Filed: **Dec. 31, 2024**

(51) **LOC (15) Cl.** **06-09**

(52) **U.S. Cl.**
USPC **D6/596**

(58) **Field of Classification Search**
USPC D6/595, 596, 605, 604
CPC A47C 17/045
See application file for complete search history.

(56) **References Cited**

U.S. PATENT DOCUMENTS

33,385	A	*	10/1861	Frodsham et al.	A45F 4/06	5/419
1,549,289	A	*	8/1925	Bradley	A47C 23/005	5/722
5,086,529	A	*	2/1992	DeGroot	A47C 27/001	5/725
D348,792	S	*	7/1994	DeGroot	D6/604	
5,867,849	A	*	2/1999	Pontrello	A47C 27/15	5/2.1
D407,937	S	*	4/1999	Klimenko	D6/601	
D416,426	S	*	11/1999	Denney	D6/601	
D444,550	S	*	7/2001	Cobbs	D6/595	
D634,148	S	*	3/2011	Morrison		
D657,156	S	*	4/2012	Shih	D6/392	
D657,158	S	*	4/2012	McCarty	D6/392	
D663,968	S	*	7/2012	Shih	D6/392	
D685,211	S	*	7/2013	Vega-Woller	D6/596	
D704,477	S	*	5/2014	Jorgensen	D6/605	
D807,665	S	*	1/2018	Vega-Woller	D6/596	
D836,951	S	*	1/2019	Cheng		
D849,445	S	*	5/2019	Li	D6/596	
D1,005,706	S	*	11/2023	Song	D6/601	
D1,018,079	S	*	3/2024	Hong	D6/335	

D1,039,853 S * 8/2024 Hu
D1,070,447 S * 4/2025 Li D6/718
D1,075,324 S * 5/2025 Wu D6/335

(Continued)

FOREIGN PATENT DOCUMENTS

CN 307654226 * 11/2022
KR 301073599.0000 * 3/2022
KR 301165414.0000 * 5/2022

Primary Examiner — Sanjeev Paul

(74) Attorney, Agent, or Firm — Michael David Eisenberg

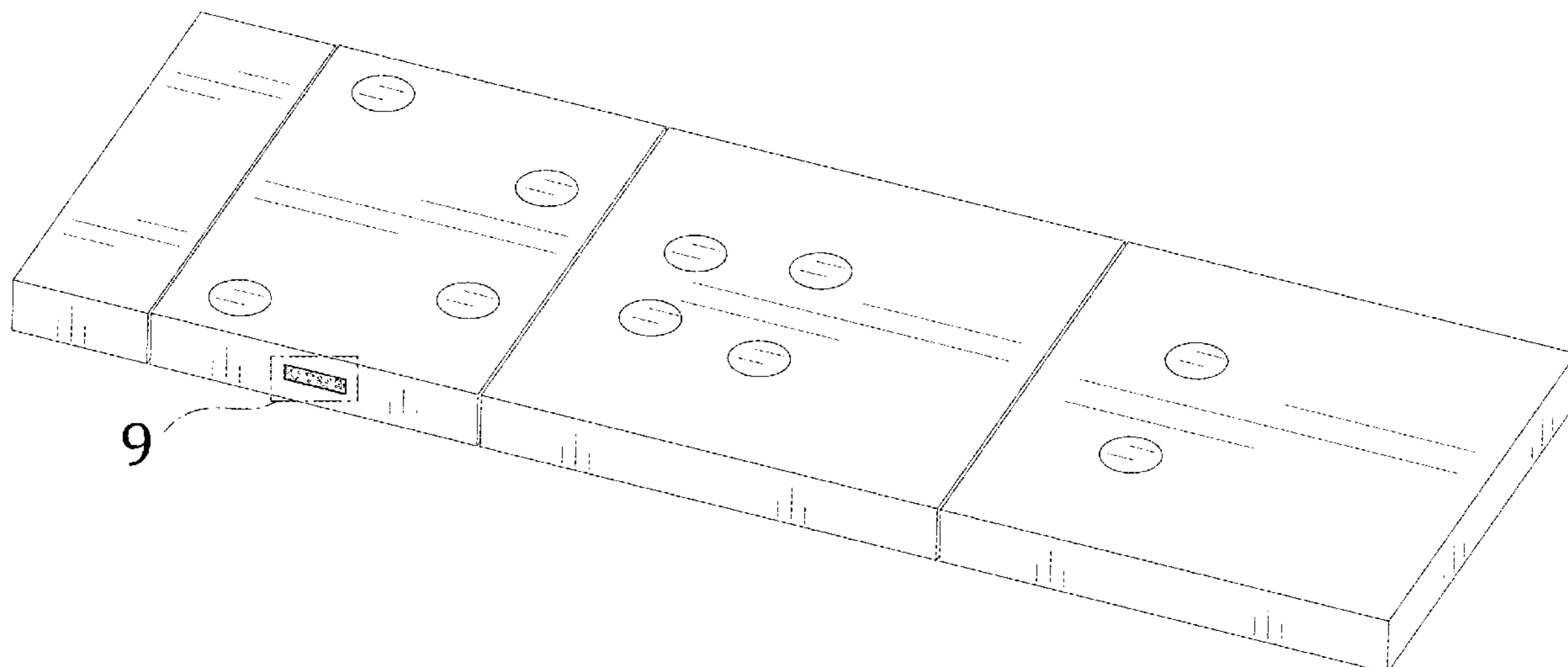
(57) **CLAIM**

The ornamental design for a folding mattress as shown and described.

DESCRIPTION

FIG. 1 is a front, right and bottom perspective view of a folding mattress, showing my new design.
FIG. 2 is a rear, left and top perspective view thereof.
FIG. 3 is a front elevation view thereof.
FIG. 4 is a rear elevation view thereof.
FIG. 5 is a left side elevation view thereof.
FIG. 6 is a right side elevation view thereof.
FIG. 7 is a top plan view thereof.
FIG. 8 is a bottom plan view thereof.
FIG. 9 is an enlarged view of detail 9 in FIG. 1.
FIG. 10 is another front, right and bottom perspective view of the folding mattress of FIG. 1 shown in another configuration of use; and,
FIG. 11 is another front perspective view of the folding mattress of FIG. 1 shown in another configuration of use.
The dashed broken lines depict portions of the folding mattress that form no part of the claimed design. The dot-dash broken lines in FIGS. 1 and 9 depict the boundaries of the enlarged views and form no part of the claimed design.

1 Claim, 11 Drawing Sheets



(56)

References Cited

U.S. PATENT DOCUMENTS

2011/0298340 A1* 12/2011 Nelson A47C 3/029
312/107
2016/0088951 A1* 3/2016 McGuinness A47C 3/16
5/35
2019/0269253 A1* 9/2019 Hathorn A47C 27/14

* cited by examiner

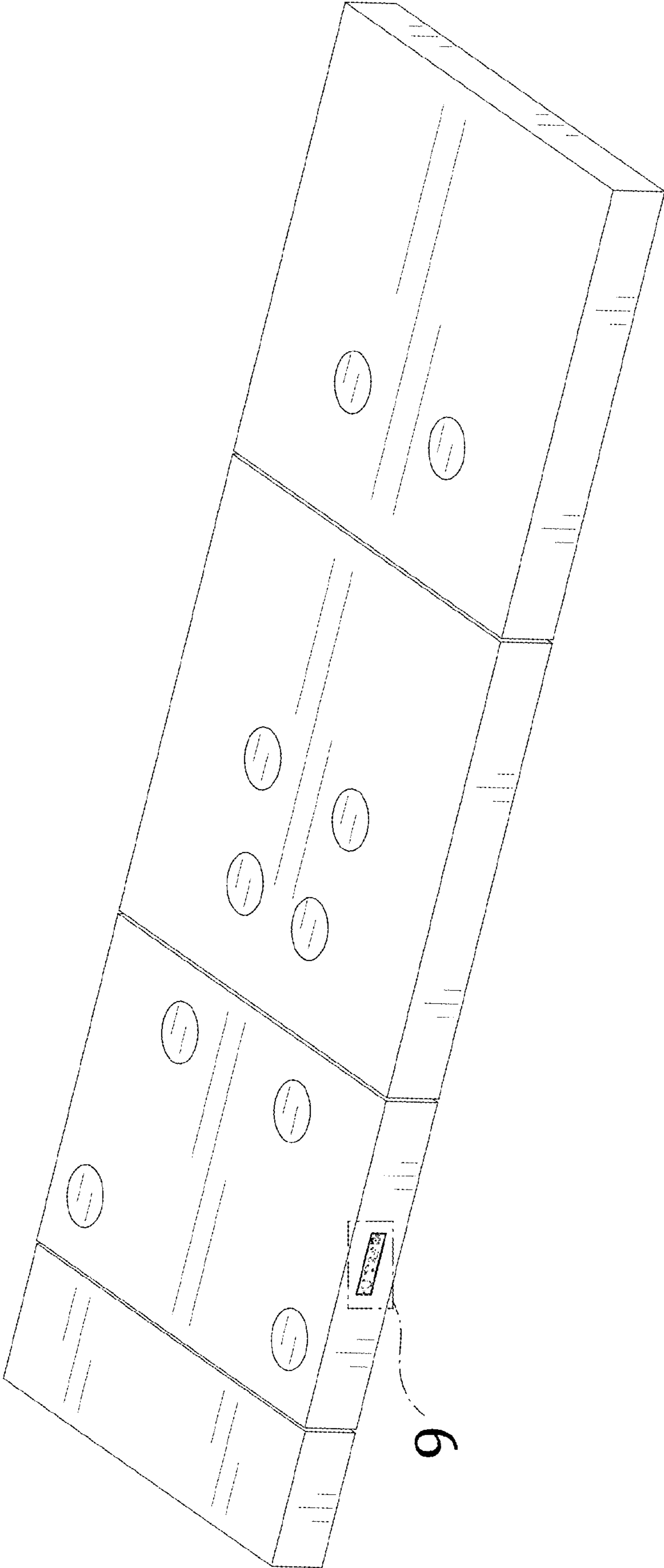


FIG. 1

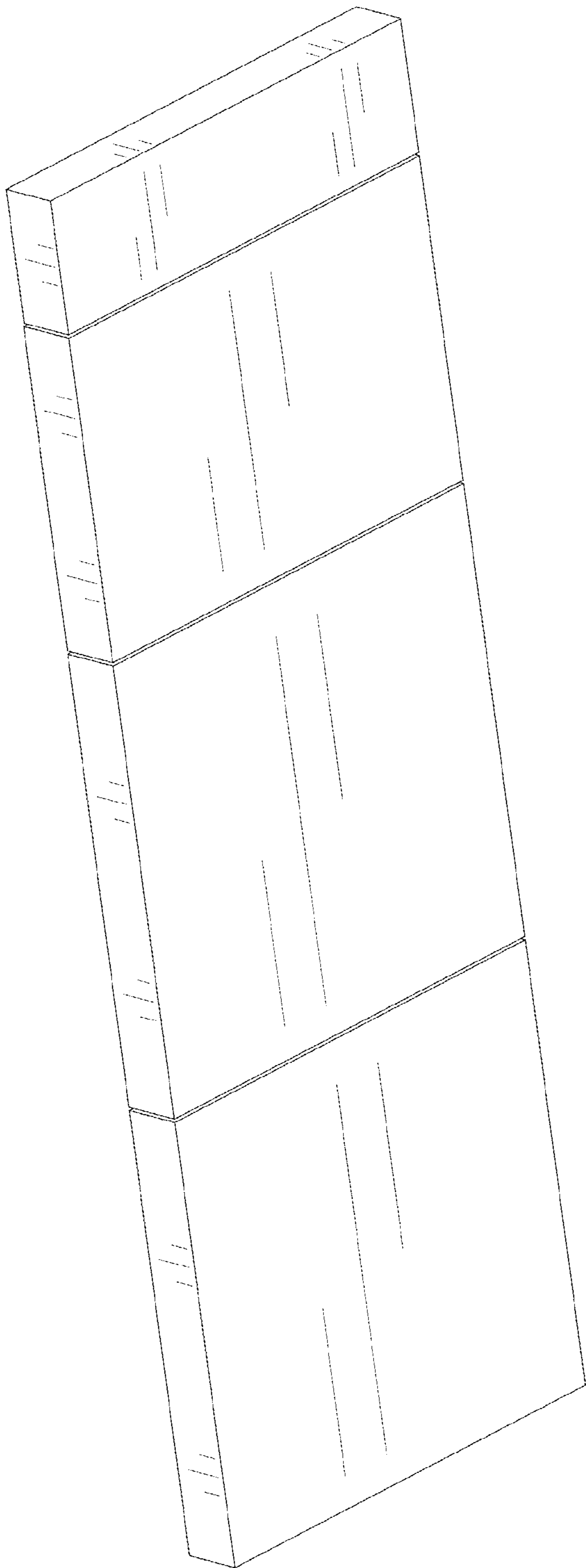


FIG. 2

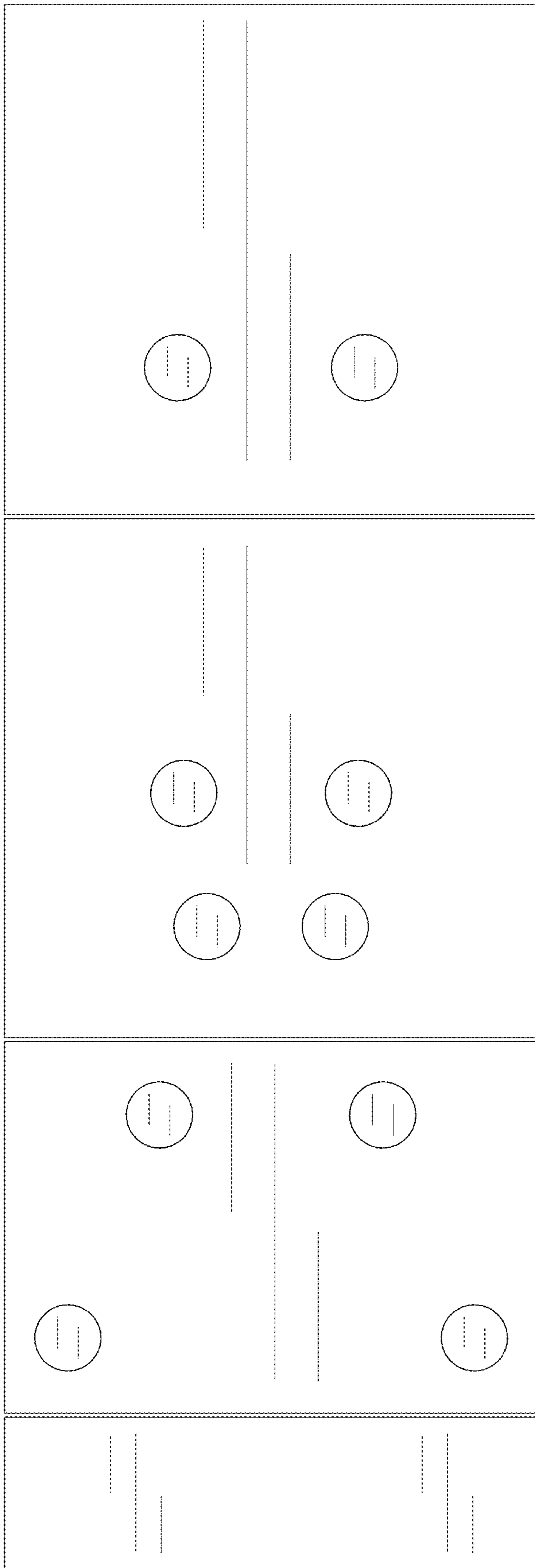


FIG. 3

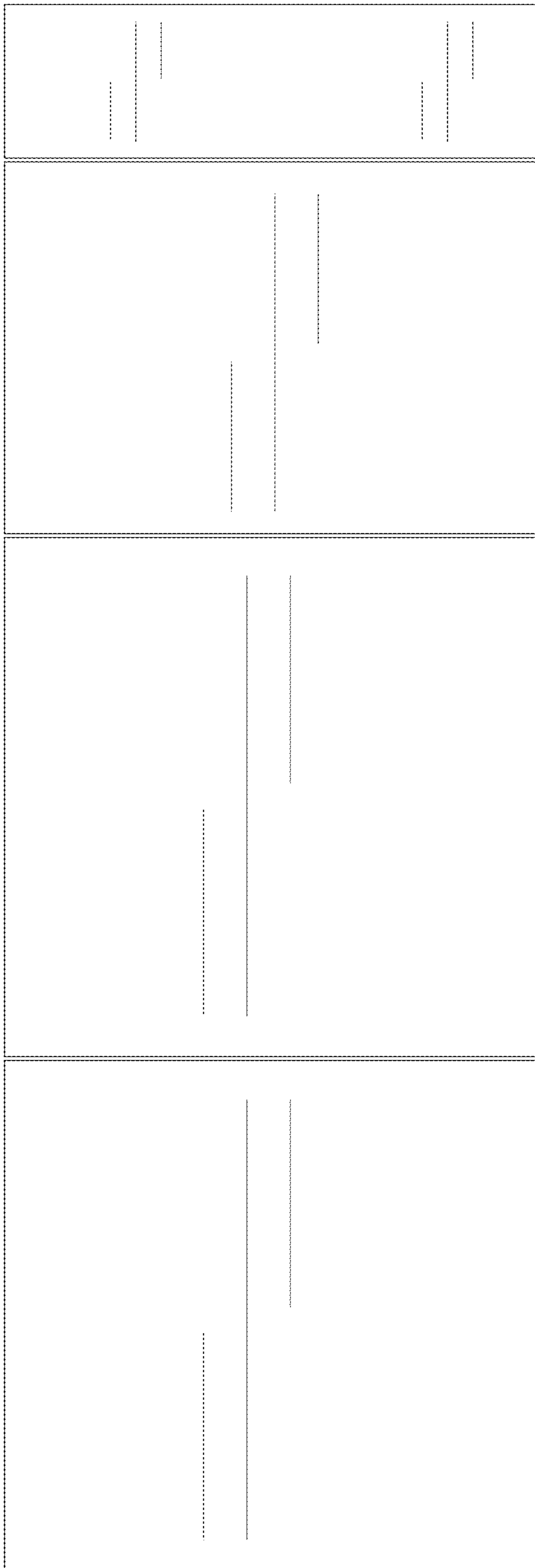


FIG. 4



FIG. 5



FIG. 6

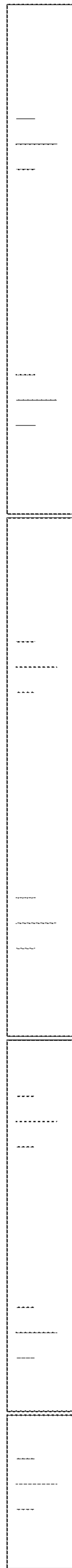


FIG. 7



FIG. 8

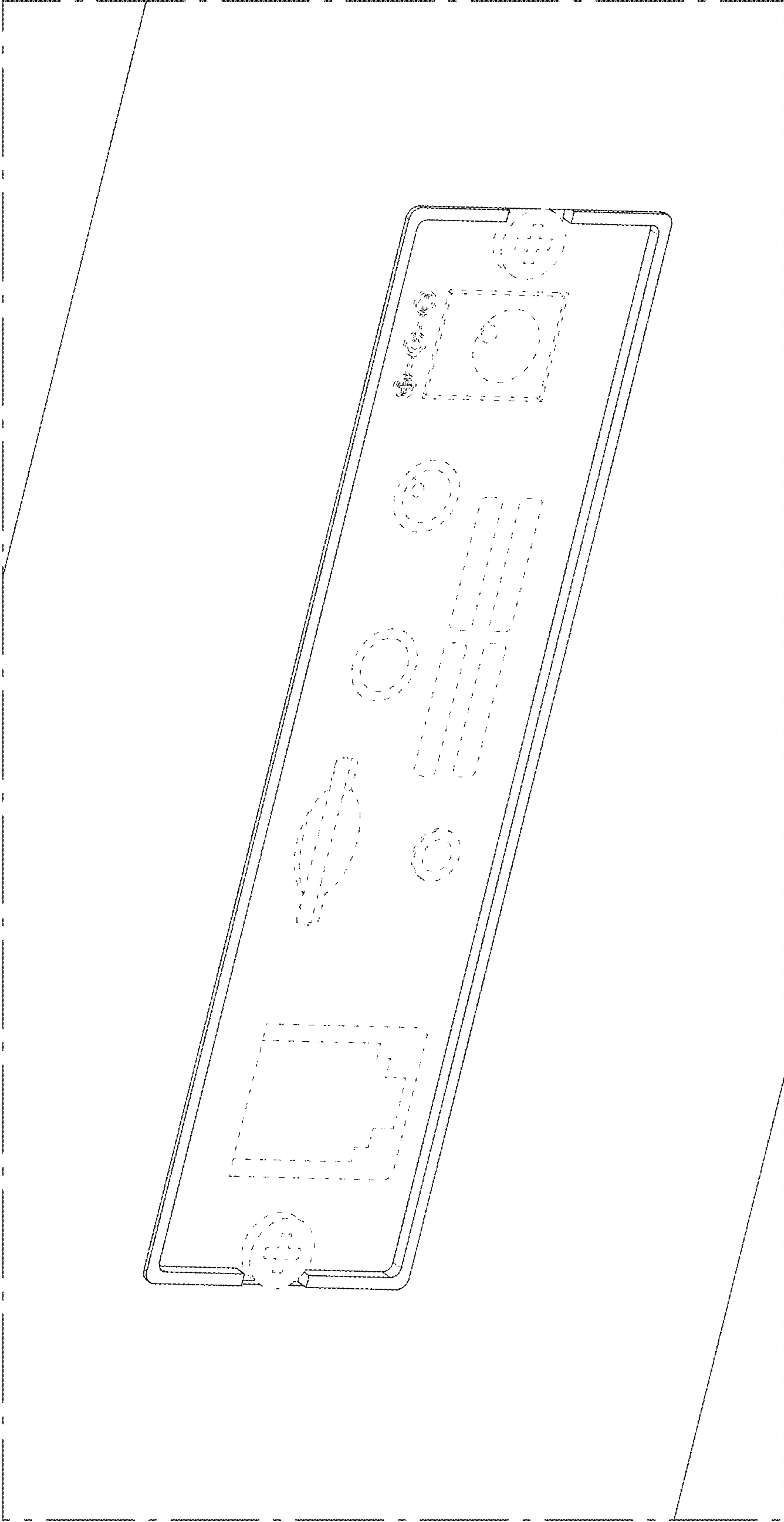


FIG. 9

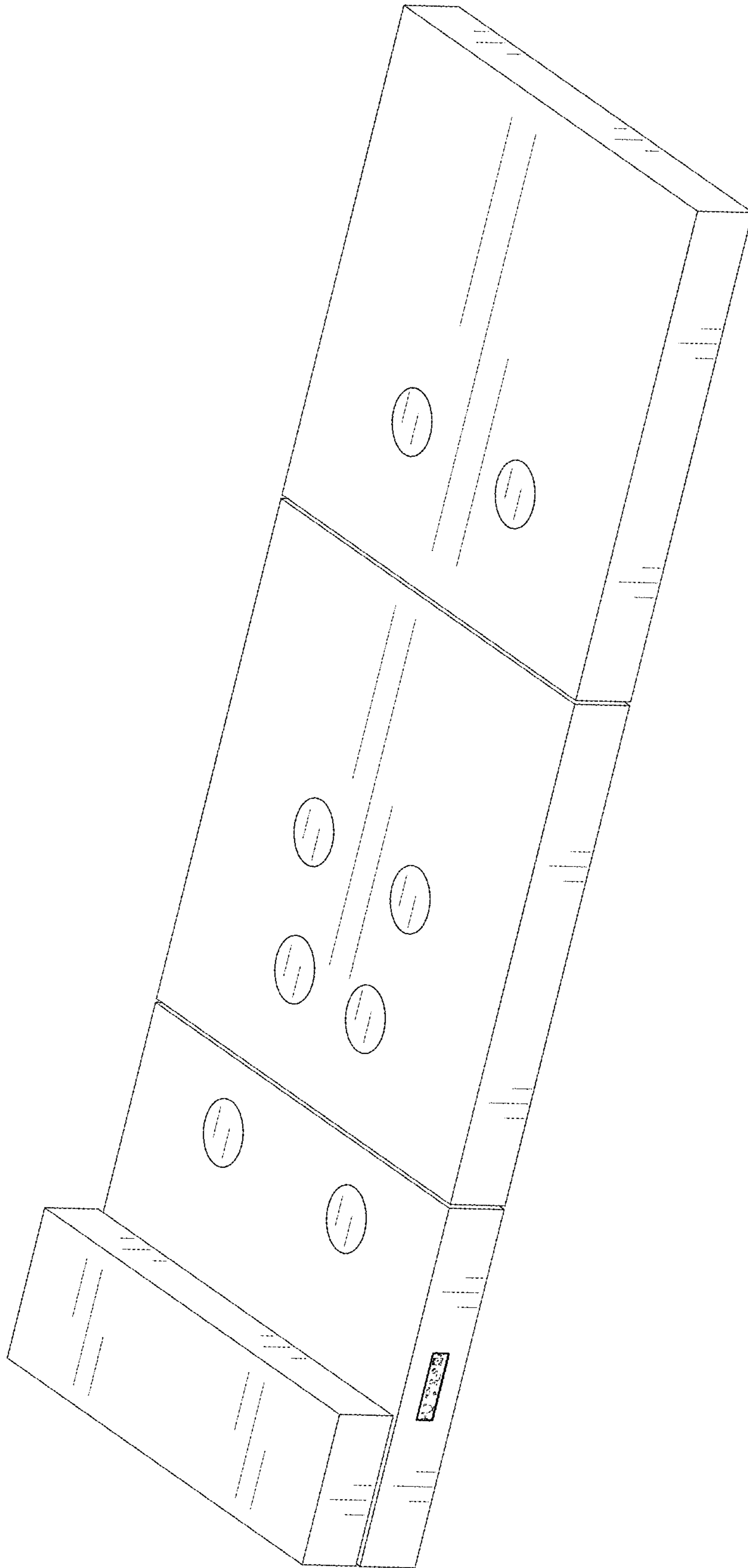


FIG. 10

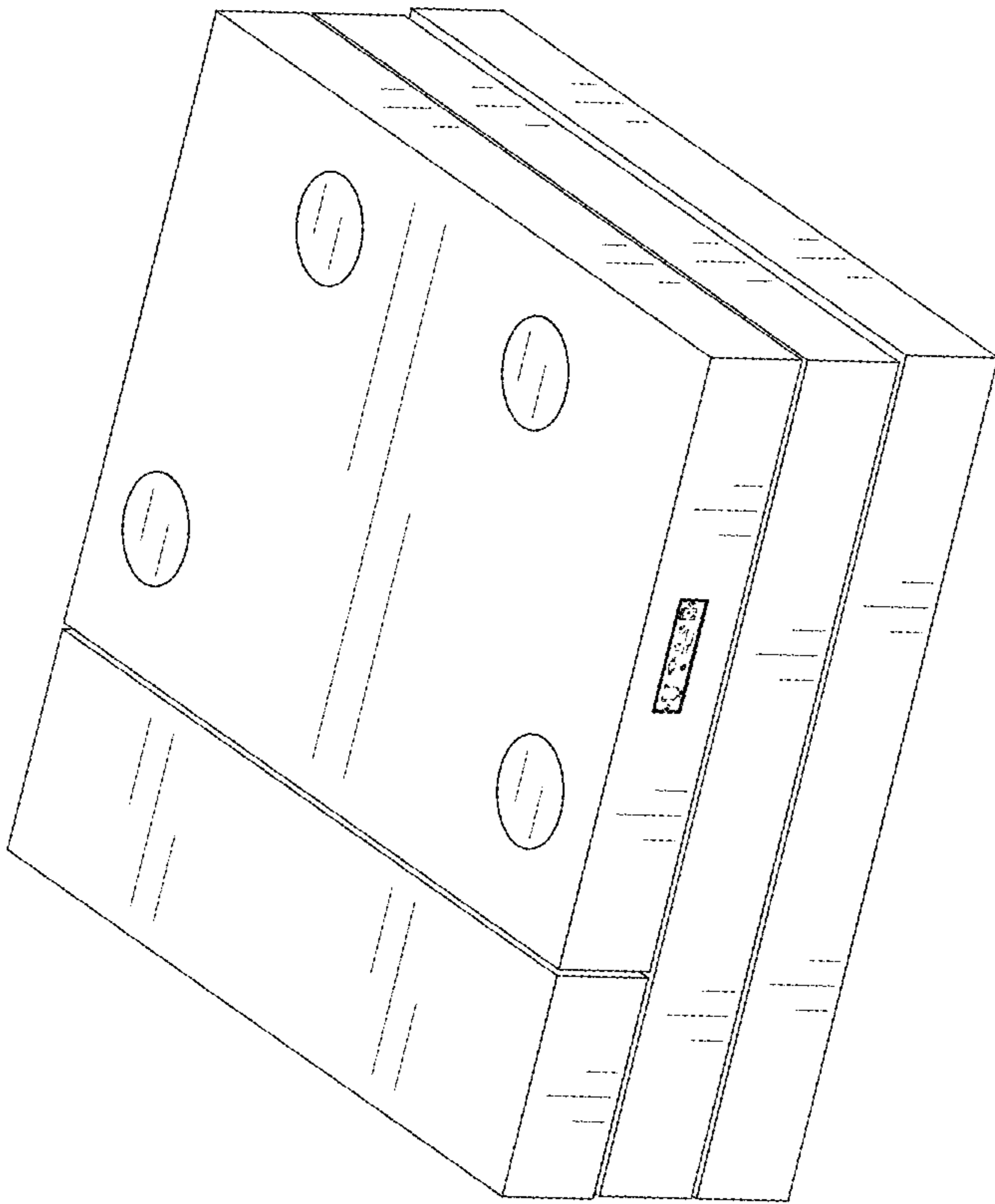


FIG. 11