



US0D1089875S

(12) **United States Design Patent** (10) **Patent No.:** **US D1,089,875 S**
Hu et al. (45) **Date of Patent:** **** Aug. 19, 2025**

(54) **BIRD BATH**

(71) Applicant: **NETVUE TECHNOLOGIES CO., LTD.**, Shenzhen (CN)

(72) Inventors: **Youle Hu**, Shenzhen (CN); **Rui Zhang**, Shenzhen (CN)

(73) Assignee: **NETVUE TECHNOLOGIES CO., LTD.**, Shenzhen (CN)

(**) Term: **15 Years**

(21) Appl. No.: **29/961,310**

(22) Filed: **Sep. 5, 2024**

(51) **LOC (15) Cl.** **30-07**

(52) **U.S. Cl.**
USPC **D30/123**

(58) **Field of Classification Search**
USPC D30/123, 199
CPC A01K 45/002
See application file for complete search history.

(56) **References Cited**

U.S. PATENT DOCUMENTS

1,806,123 A *	5/1931	Smith	A01K 45/002
				119/69.5
D451,250 S	11/2001	Chrisco et al.		
6,311,641 B1 *	11/2001	Johnson	A01K 39/014
				119/68
D957,067 S *	7/2022	Ge	D30/123
D1,045,243 S *	10/2024	Zhu	D30/123

OTHER PUBLICATIONS

“Q-dirt pro store Garden Bird Bath” available Jul. 6, 2024, [online], [site visited Oct. 2, 2024]. Retrieved from Internet, URL:https://

www.amazon.com/Bird-Bath-Powered-Pond-Fountain/dp/B0CXT866NV/ref=cm_cr_ap_d_product_top?ie=UTF8 (Year: 2024).*
“Bird Buddy’s Bird Bath” available May 16, 2023, [online], [site visited Oct. 2, 2024]. Retrieved from Internet, URL:https://www.trendhunter.com/trends/smart-bird-bath (Year: 2023).*

* cited by examiner

Primary Examiner — Katrina N Gonzalez

(57) **CLAIM**

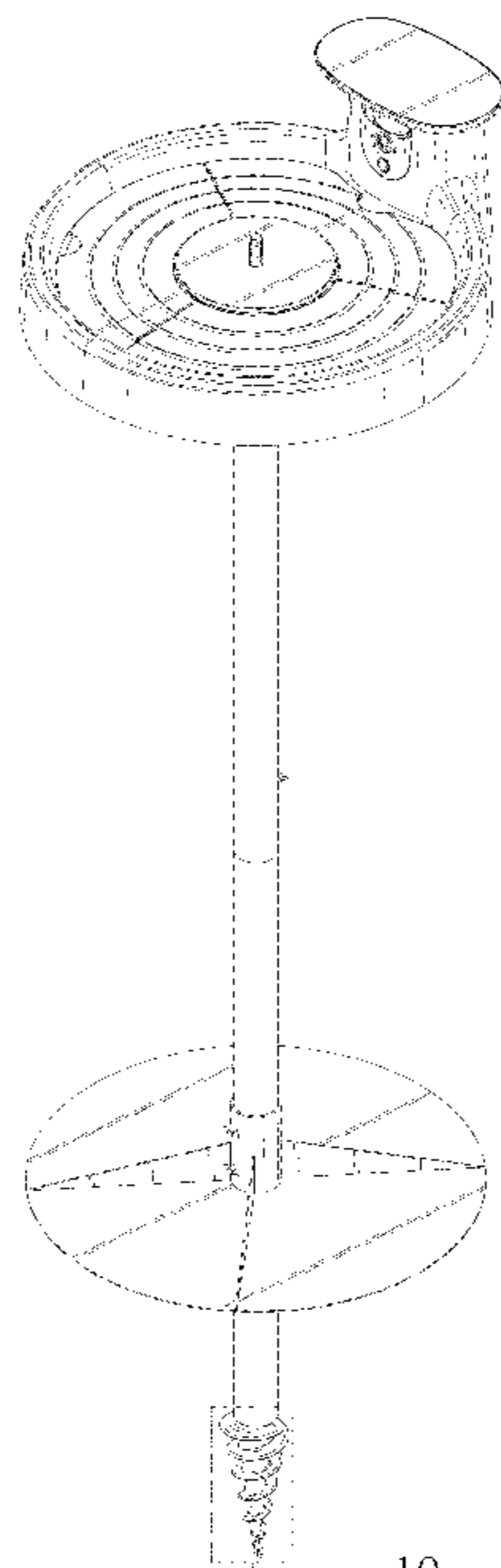
The ornamental design for a bird bath, as shown and described.

DESCRIPTION

FIG. 1 is a front, right side, top perspective view of a bird bath, showing our new design;
FIG. 2 is a rear, left side, top perspective view thereof;
FIG. 3 is a rear, left side, bottom perspective view thereof;
FIG. 4 is a front elevation view thereof;
FIG. 5 is a rear elevation view thereof;
FIG. 6 is a left side elevation view thereof;
FIG. 7 is a right side elevation view thereof;
FIG. 8 is an enlarged top plan view thereof;
FIG. 9 is an enlarged bottom plan view thereof; and
FIG. 10 is an enlarged view of detail “10” identified in FIG. 1.

The dashed broken lines in the figures illustrate portions of the bird bath that form no part of the claimed design. The dash-dot-dash broken lines represent the boundaries and indicator of the enlarged view that form no part of the claimed design.

1 Claim, 10 Drawing Sheets



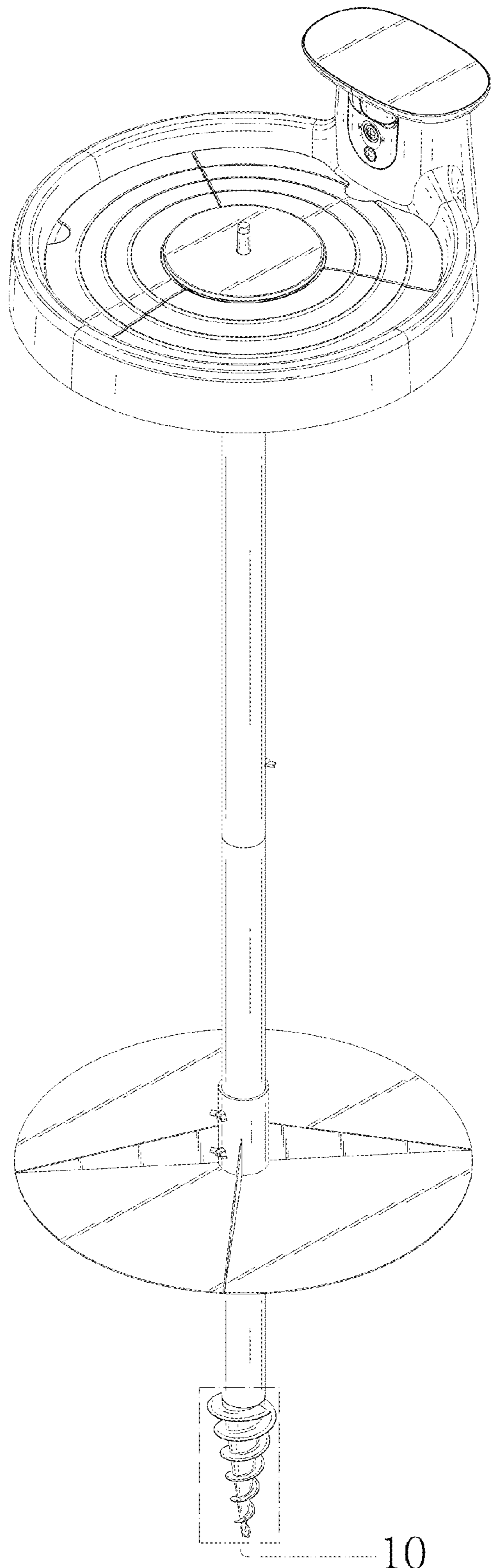


FIG. 1

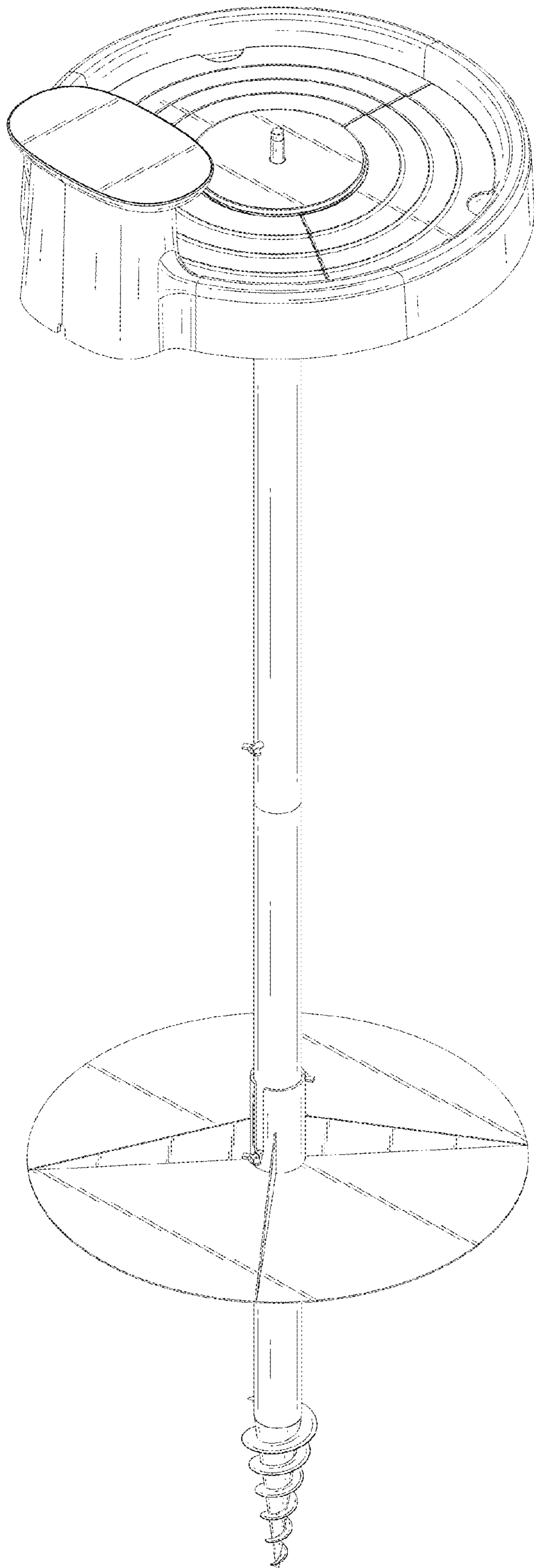


FIG. 2

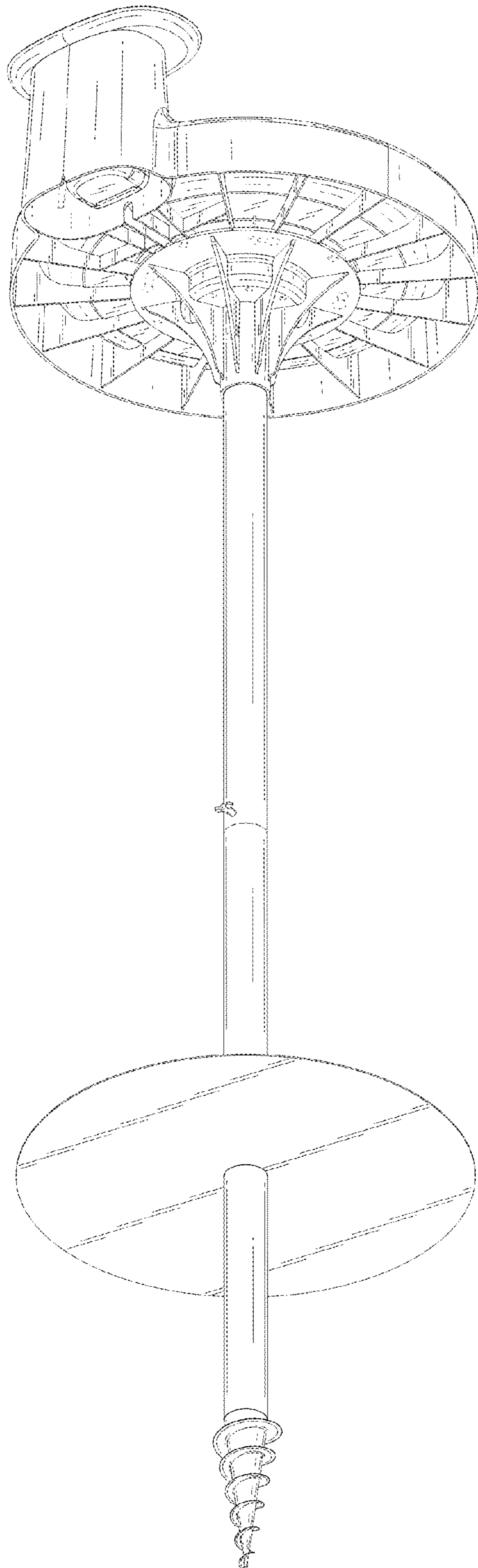


FIG. 3

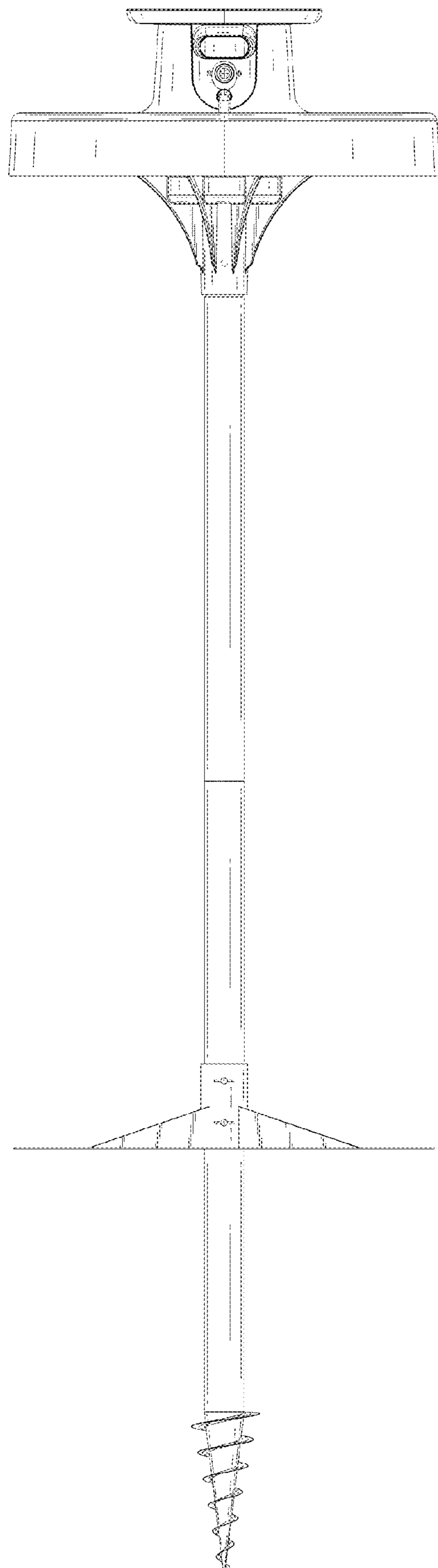


FIG. 4

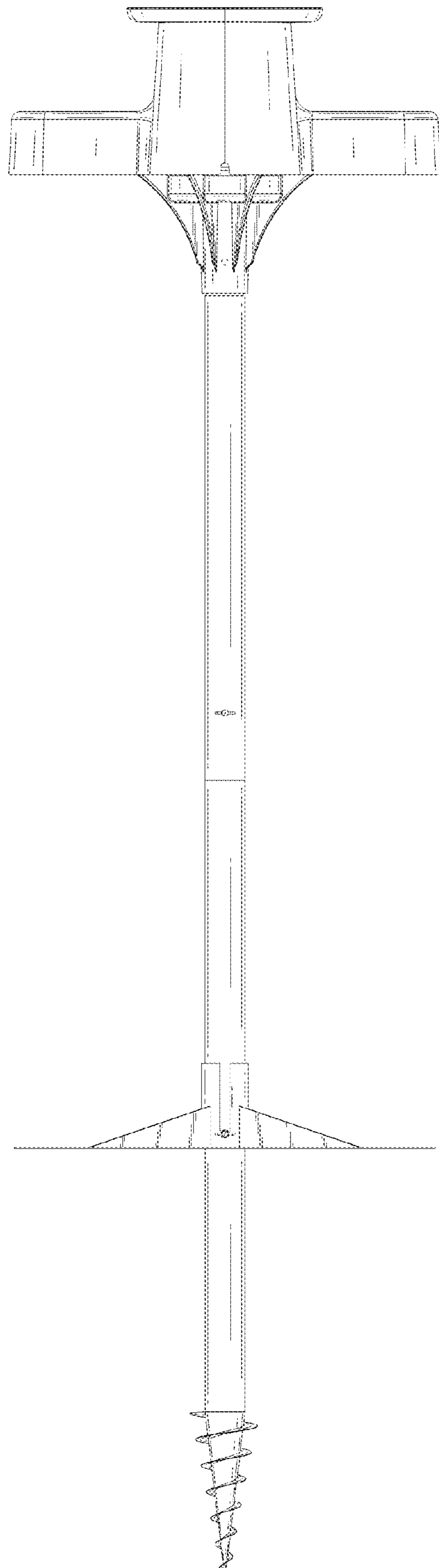


FIG. 5

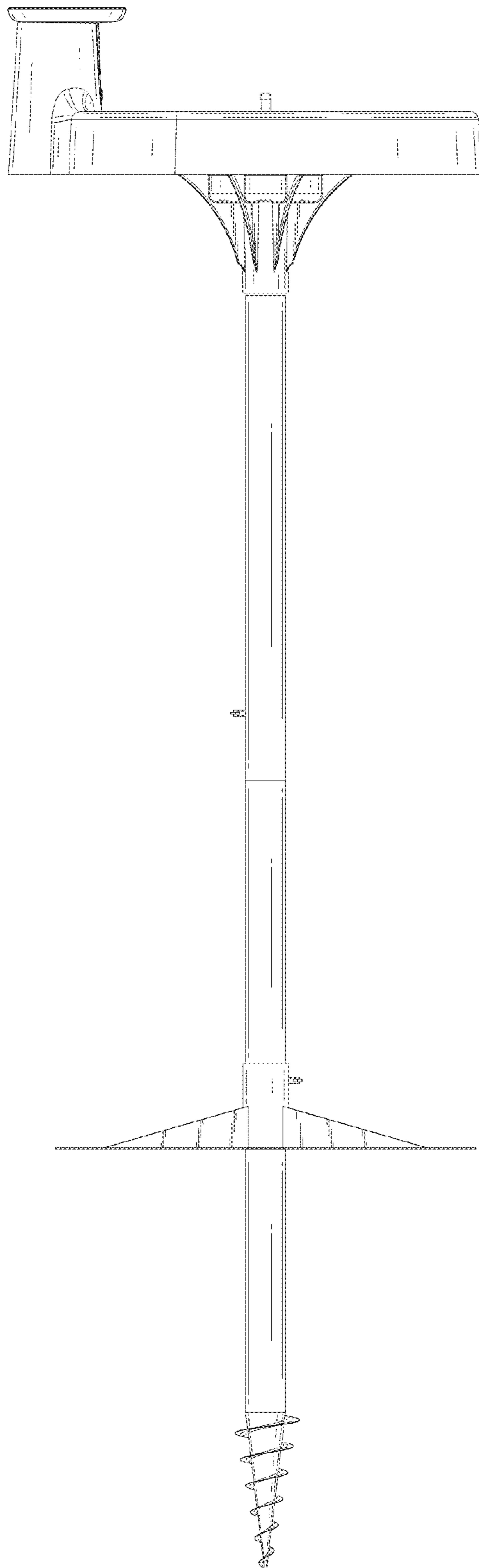


FIG. 6

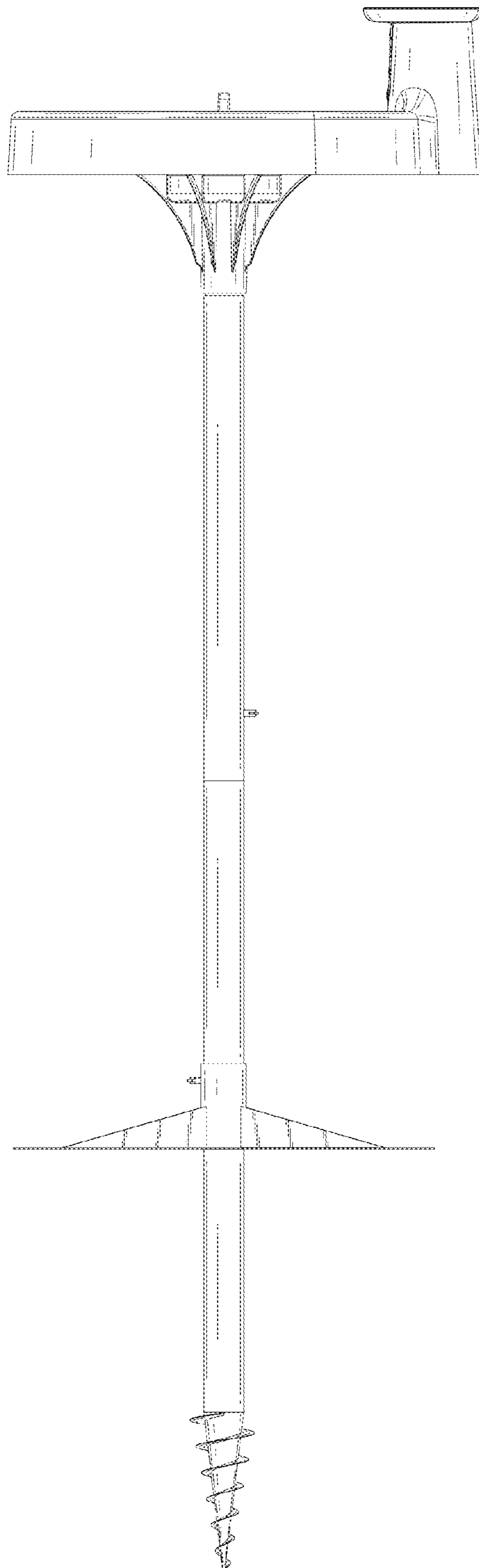


FIG. 7

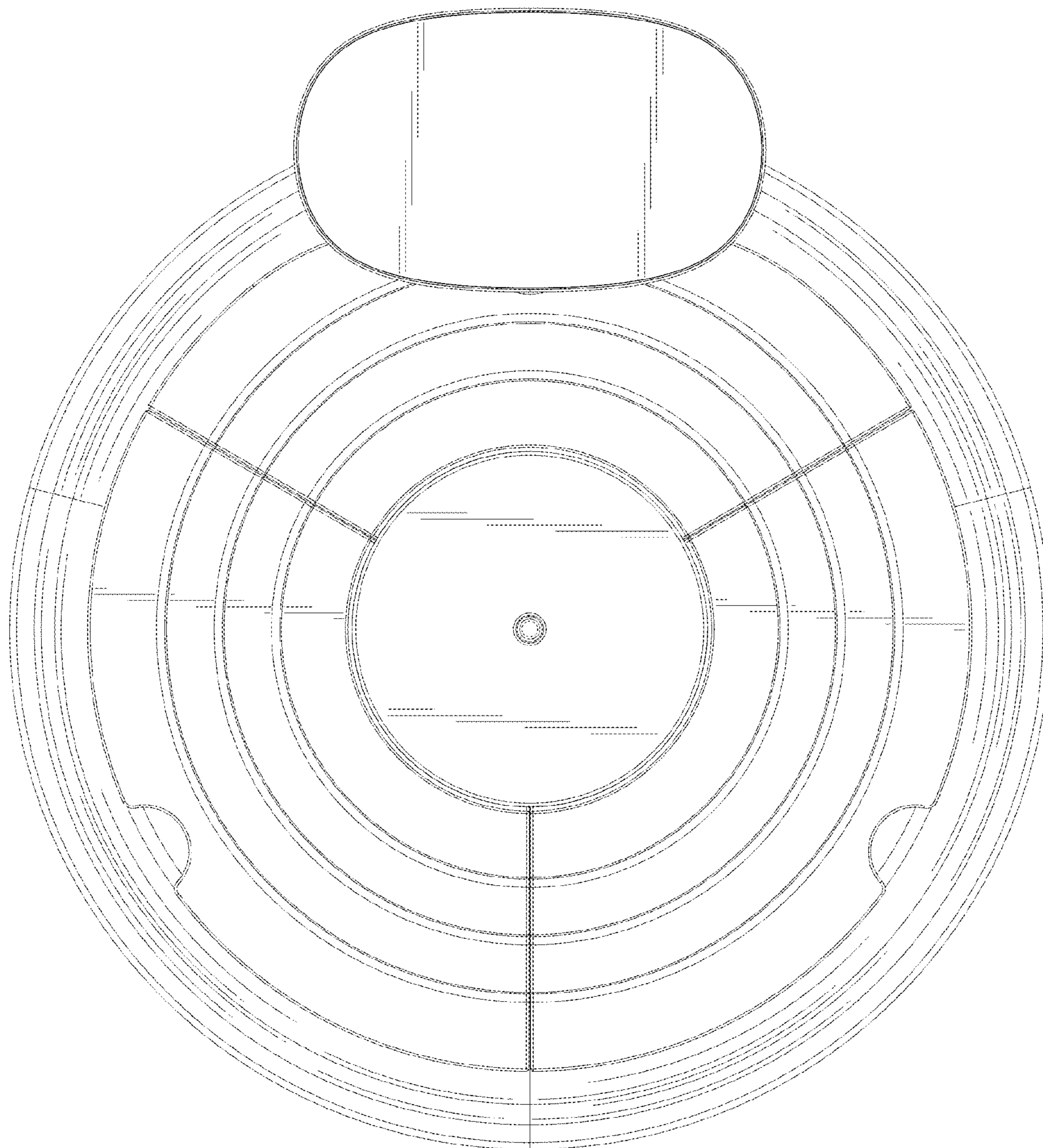


FIG. 8

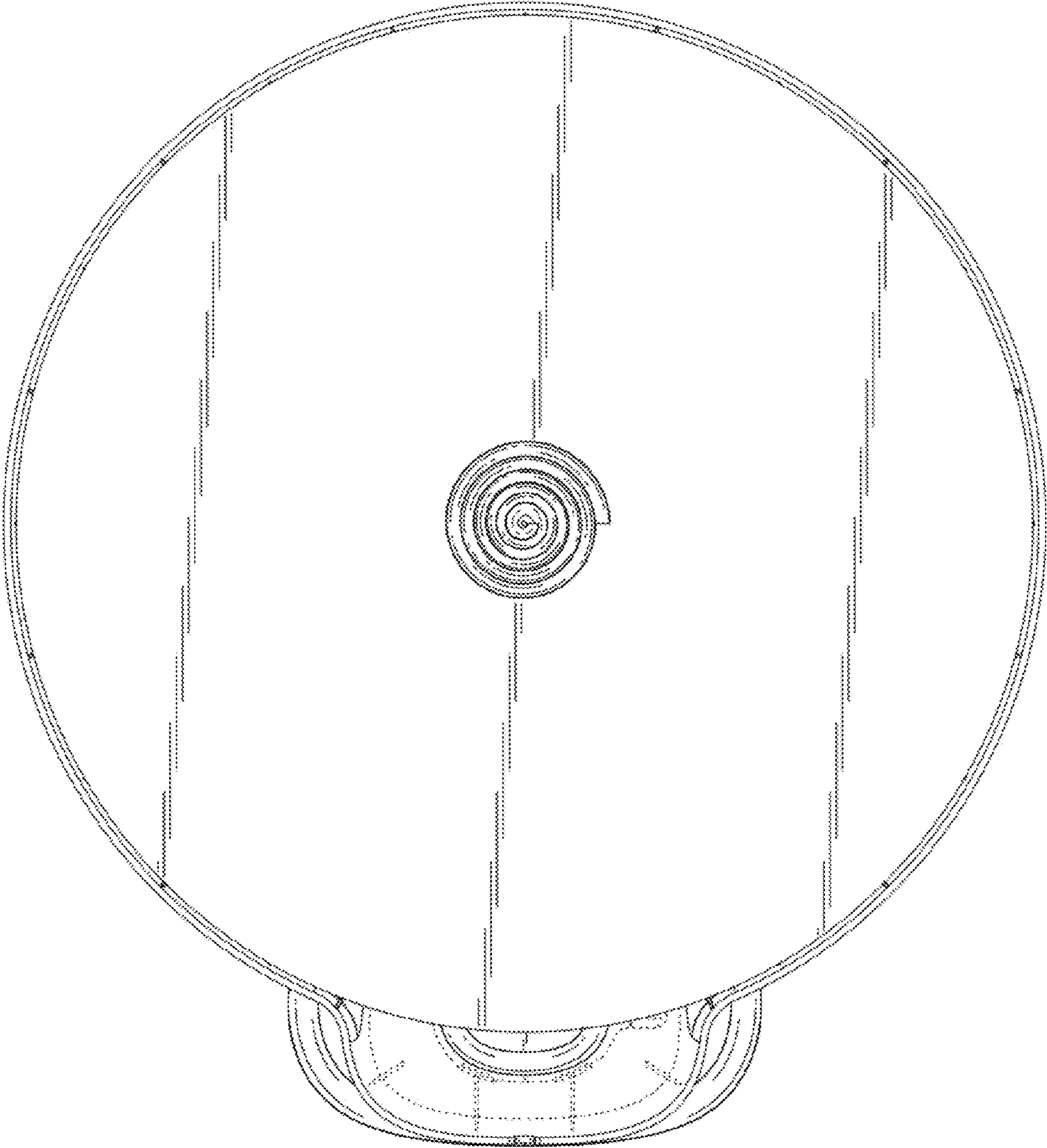


FIG. 9

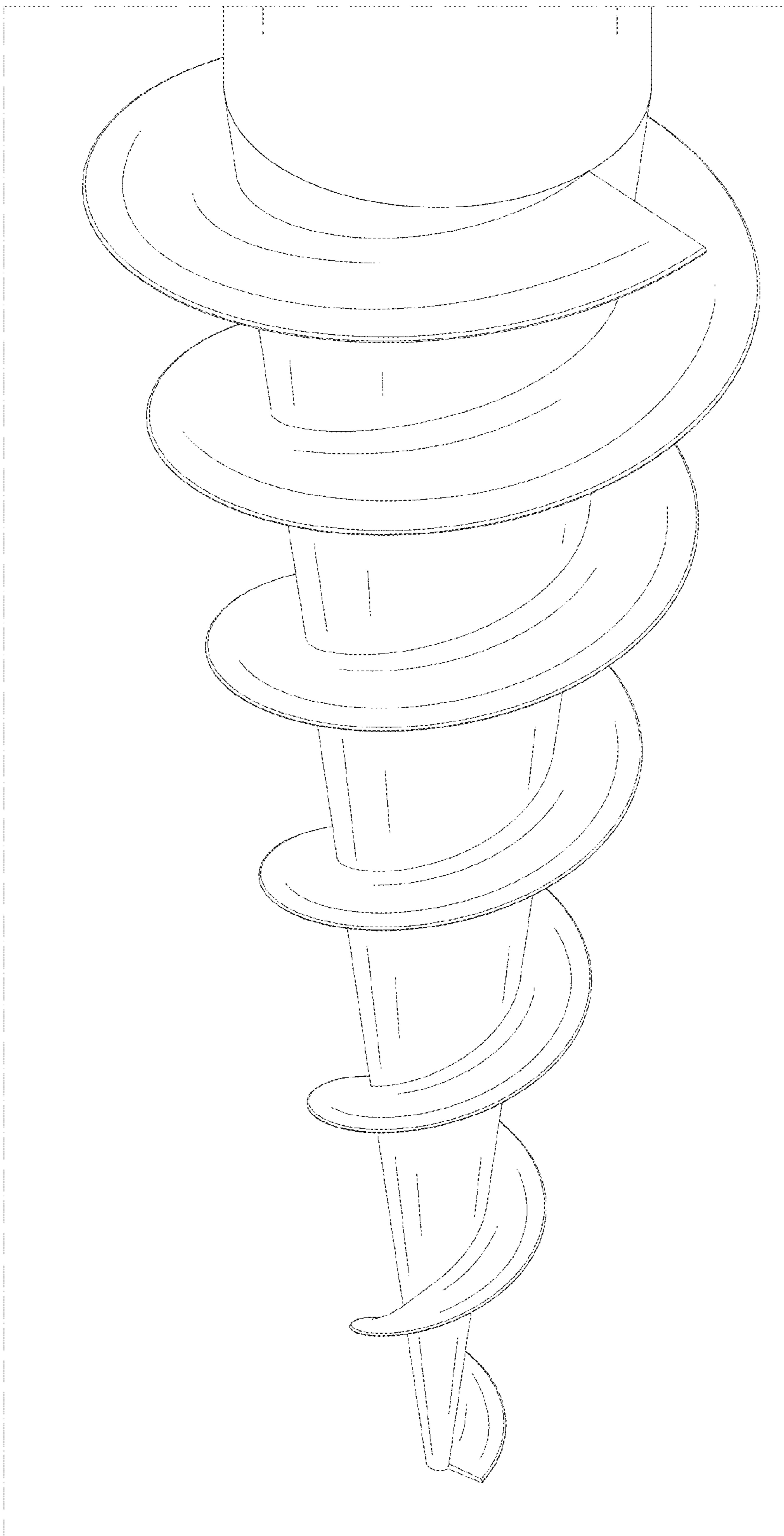


FIG. 10