



US0D1087596S

(12) **United States Design Patent**  
**Lozinski**

(10) **Patent No.: US D1,087,596 S**

(45) **Date of Patent: \*\* Aug. 12, 2025**

(54) **MAGNETIC ATTACHMENT BAG**

D394,552 S \* 5/1998 Melk ..... D3/289  
D415,390 S \* 10/1999 Winington-Ingram ..... D3/202  
D432,785 S \* 10/2000 Berg ..... D3/229

(71) Applicant: **Magbag LLC**, Oviedo, FL (US)

(Continued)

(72) Inventor: **Kyle Casey Robert Lozinski**, Saint Cloud, FL (US)

**OTHER PUBLICATIONS**

(73) Assignee: **Magbag LLC**, Oviedo, FL (US)

Magnetic Bag Company, Magnetic Bottle Bag, amazon.com. photo review date of Jun. 5, 2024, [https://www.amazon.com/Magnetic-Bag-Company-Bottle-Attachment/dp/B0D4NK52JH/ref=cm\\_cr\\_arpd\\_product\\_top?ie=UTF8&th=1](https://www.amazon.com/Magnetic-Bag-Company-Bottle-Attachment/dp/B0D4NK52JH/ref=cm_cr_arpd_product_top?ie=UTF8&th=1) (Year: 2024).\*

(\*\*) Term: **15 Years**

(Continued)

(21) Appl. No.: **29/964,685**

(22) Filed: **Sep. 24, 2024**

*Primary Examiner* — Steven J Cxyz

**Related U.S. Application Data**

(57) **CLAIM**

(63) Continuation-in-part of application No. 18/819,672, filed on Aug. 29, 2024.

The ornamental design for a magnetic attachment bag, as shown and described.

**DESCRIPTION**

(30) **Foreign Application Priority Data**

Jun. 5, 2024 (CN) ..... 202430342299.3

(51) **LOC (15) Cl.** ..... **03-01**

(52) **U.S. Cl.**  
USPC ..... **D3/229; D3/202**

(58) **Field of Classification Search**  
USPC ..... D3/201, 202, 215, 229; D7/605, 608, D7/619.1, 624.1, 624.2; D9/702, 711, D9/455  
CPC ..... B65D 81/38; B65D 81/3865; B65D 81/3876; B65D 81/3888; A47G 23/02; A45C 2200/20; A45F 3/02; A45F 3/005

See application file for complete search history.

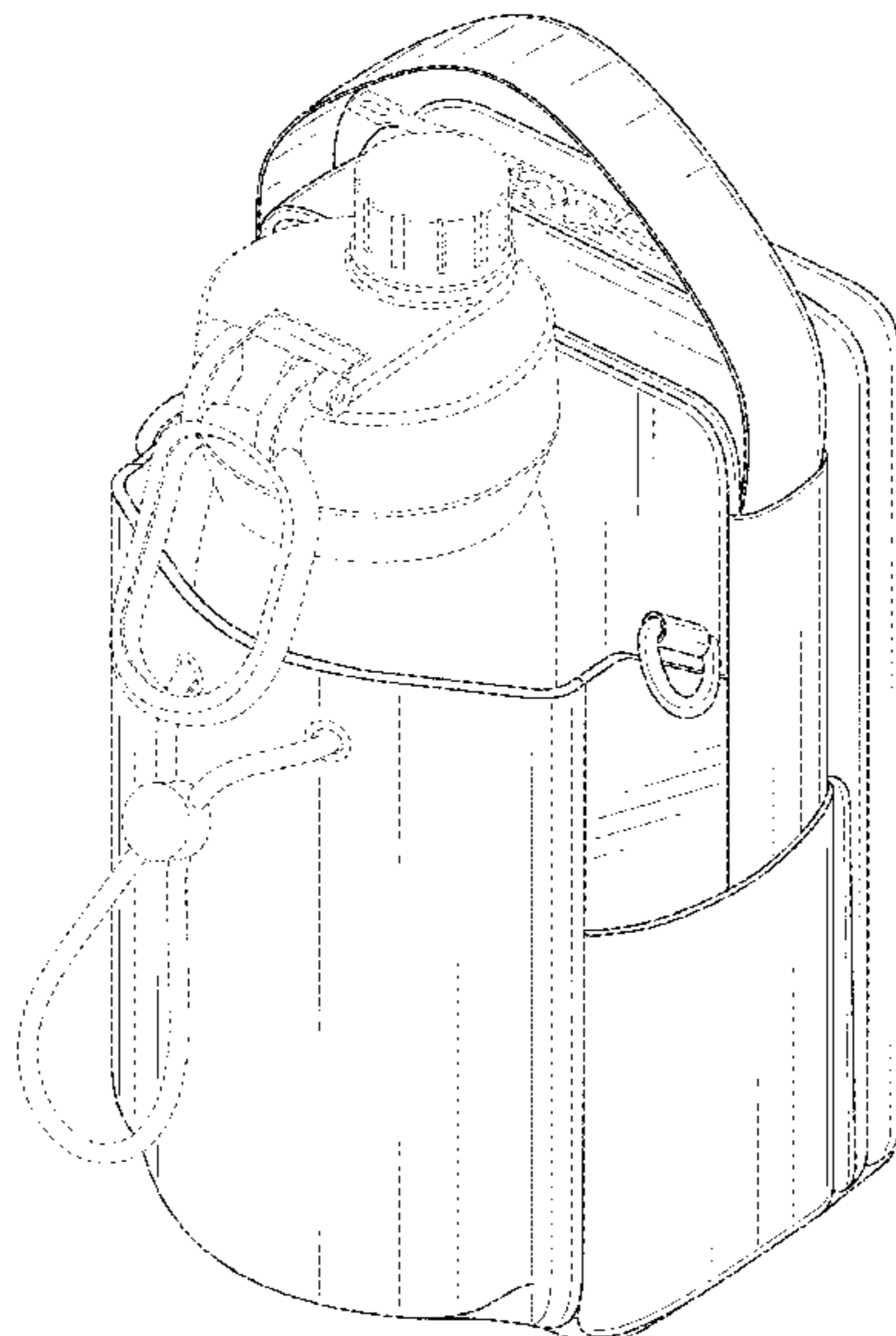
FIG. 1 is a front elevational view of a magnetic attachment bag, showing my new design.  
FIG. 2 is a right elevational view thereof.  
FIG. 3 is a left elevational view thereof.  
FIG. 4 is a rear elevational view thereof.  
FIG. 5 is a top plan view thereof.  
FIG. 6 is a bottom plan view thereof.  
FIG. 7 is a front top right perspective view thereof.  
FIG. 8 is a rear top left perspective view thereof.  
FIG. 9 is a front bottom right perspective view thereof.  
FIG. 10 is a rear bottom left perspective view thereof.  
FIG. 11 is a front top right perspective view thereof.  
FIG. 12 is a rear top left perspective view thereof.  
FIG. 13 is a front bottom right perspective view thereof.  
FIG. 14 is a rear bottom left perspective view thereof.  
FIG. 15 is a front top right perspective view thereof.  
FIG. 16 is a rear top left perspective view thereof.  
FIG. 17 is a front bottom right perspective view thereof; and, FIG. 18 is a rear bottom left perspective view thereof.  
The broken lines depict portions of the article and environment that form no part of the claimed design.

(56) **References Cited**

**U.S. PATENT DOCUMENTS**

D335,957 S \* 6/1993 Cantrell ..... D3/229  
D373,016 S \* 8/1996 Welsh ..... D3/202  
D379,711 S \* 6/1997 Fitzgerald ..... D3/202

**1 Claim, 18 Drawing Sheets**



(56)

References Cited

U.S. PATENT DOCUMENTS

6,401,993 B1 \* 6/2002 Andrino ..... A45F 5/00  
 D3/229  
 D468,534 S \* 1/2003 Crandall ..... D3/276  
 D472,385 S \* 4/2003 Bauer ..... A45C 7/0045  
 D3/276  
 D507,875 S \* 8/2005 Hillman ..... D3/273  
 D568,041 S \* 5/2008 Clements ..... D3/202  
 D577,483 S \* 9/2008 Tagliati ..... D3/202  
 D588,353 S \* 3/2009 Khubani ..... D3/201  
 D630,429 S \* 1/2011 Reyes ..... D3/229  
 D676,657 S \* 2/2013 Knecht ..... D3/303  
 D749,316 S 2/2016 Lee  
 9,308,976 B2 4/2016 Peterson  
 D755,502 S \* 5/2016 Halter ..... D3/202  
 D773,800 S \* 12/2016 Willows ..... D3/202  
 D773,809 S \* 12/2016 Lieser ..... D3/232  
 D780,442 S \* 3/2017 Tidwell ..... D3/202  
 D790,209 S \* 6/2017 Thai ..... D3/202  
 D792,096 S \* 7/2017 Piccora ..... D3/303  
 D840,674 S \* 2/2019 Earhart ..... D3/202  
 10,226,109 B1 3/2019 Calder  
 D858,226 S \* 9/2019 Escontrela ..... D7/624.2  
 D866,952 S \* 11/2019 Duran ..... D3/202  
 D874,127 S \* 2/2020 Wang ..... D3/202  
 D885,148 S \* 5/2020 Wang ..... D7/624.2  
 D889,914 S \* 7/2020 Wadsworth ..... D3/229  
 D889,915 S \* 7/2020 Wadsworth ..... D3/229  
 D904,130 S \* 12/2020 Myers ..... D7/624.2  
 D925,995 S \* 7/2021 Wang ..... D3/229  
 D932,318 S \* 10/2021 Chen ..... D9/711  
 11,172,752 B2 \* 11/2021 Dow ..... A45F 3/02  
 D938,785 S \* 12/2021 Dow ..... D7/624.2  
 D974,747 S 1/2023 He  
 D976,578 S 1/2023 Ren  
 D980,683 S \* 3/2023 Lin ..... D3/229  
 D981,799 S \* 3/2023 Warmenhoven ..... D7/624.2  
 D981,800 S \* 3/2023 Huang ..... D3/202  
 D982,985 S \* 4/2023 Jeong ..... D7/607  
 D985,259 S 5/2023 Grill  
 D990,869 S 7/2023 Mn  
 D991,032 S \* 7/2023 Shi ..... D3/229  
 D998,967 S \* 9/2023 Chao ..... D3/289  
 D999,026 S \* 9/2023 Western ..... D3/202  
 D1,000,207 S \* 10/2023 Maslin ..... D3/202  
 D1,011,041 S 1/2024 Sartori  
 D1,015,727 S \* 2/2024 Hong ..... D3/202  
 D1,016,473 S \* 3/2024 Rayner ..... D3/217

D1,018,033 S \* 3/2024 Dai ..... D3/202  
 D1,021,386 S 4/2024 Li  
 D1,030,301 S 6/2024 Lin  
 D1,032,300 S \* 6/2024 Wang ..... D3/202  
 D1,035,395 S \* 7/2024 Chao ..... D3/202  
 D1,039,265 S 8/2024 Lin  
 D1,047,420 S 10/2024 Lin  
 D1,050,712 S \* 11/2024 Watkins ..... D3/202  
 D1,052,256 S \* 11/2024 Zeng ..... D3/202  
 2010/0155437 A1 \* 6/2010 Broadbent ..... A45C 11/20  
 224/148.1  
 2013/0098954 A1 \* 4/2013 Inglis ..... A45C 1/02  
 224/148.4  
 2015/0102192 A1 4/2015 Ciampi  
 2021/0307495 A1 \* 10/2021 Schori ..... H01F 7/0263

OTHER PUBLICATIONS

Pulll Magnetic Bottle Gym Bag, pullathletics.com, <https://pullathletics.com/products/pulll-magnetic-gym-bag> (Year: 2024).  
 Cases Magnetic Gym Bag, smartsaker.com, [https://www.smartsaker.com/products/magnetic-gym-bag-for-gym?gad\\_source=1&gclid=EAlalQobChMI4cPMjof2igMVxU1HAR2Lixc8EAQYAyABEgIFHPD\\_BwE&variant=68357359-1e1f-4d0d-ac8e-7e0b61048502](https://www.smartsaker.com/products/magnetic-gym-bag-for-gym?gad_source=1&gclid=EAlalQobChMI4cPMjof2igMVxU1HAR2Lixc8EAQYAyABEgIFHPD_BwE&variant=68357359-1e1f-4d0d-ac8e-7e0b61048502) (Year: 2024).  
 VKZ Magnetic Crossbody Gym Bag Water Bottle Holder Water-proof, amazon.com, <https://www.amazon.com/dp/B0DJ73S9N6/> (Year: 2024).  
 Gymnetic Magnetic Bottle Gym Bag, gymnetic.co, <https://gymnetic.co/products/magnetic-bottle-gym-bag> (Year: 2024).  
 Netix, the only gym bag that powers ahead, Retrieved From Internet, Retrieved on Aug. 28, 2024, <URL: <https://netixfitness.com/>>.  
 Snapbags, Magnetic Sports Bag, Retrieved From Internet, Retrieved on Aug. 28, 2024, <URL: <https://snap-bags.com/>>.  
 Hernandez, Matias, Velites Storm : The Ultimate Fitness Backpack, Retrieved From Internet, Retrieved on Aug. 28, 2024, <URL: <https://www.kickstarter.com/projects/velites/velites-storm-the-ultimate-fitness-backpack/description>>.  
 Lhids, magpac, Retrieved From Internet, Retrieved on Aug. 28, 2024, <URL: <https://lhidscreative.com/collections/magpac>>.  
 Magpro, themagprobag, Retrieved From Internet, Retrieved on Aug. 28, 2024, <URL: <https://www.tiktok.com/@themagprobag>>.  
 Yourgymmate, Gym Mate, Retrieved From Internet, Retrieved on Aug. 28, 2024, <URL: <https://themagpro.com/>>.  
 Corkcicle., Sling Crossbody Water Bottle Sling Bag, Retrieved From Internet, Retrieved on Sep. 23, 2024, <URL: <https://corkcicle.com/products/sling-bag>>.

\* cited by examiner

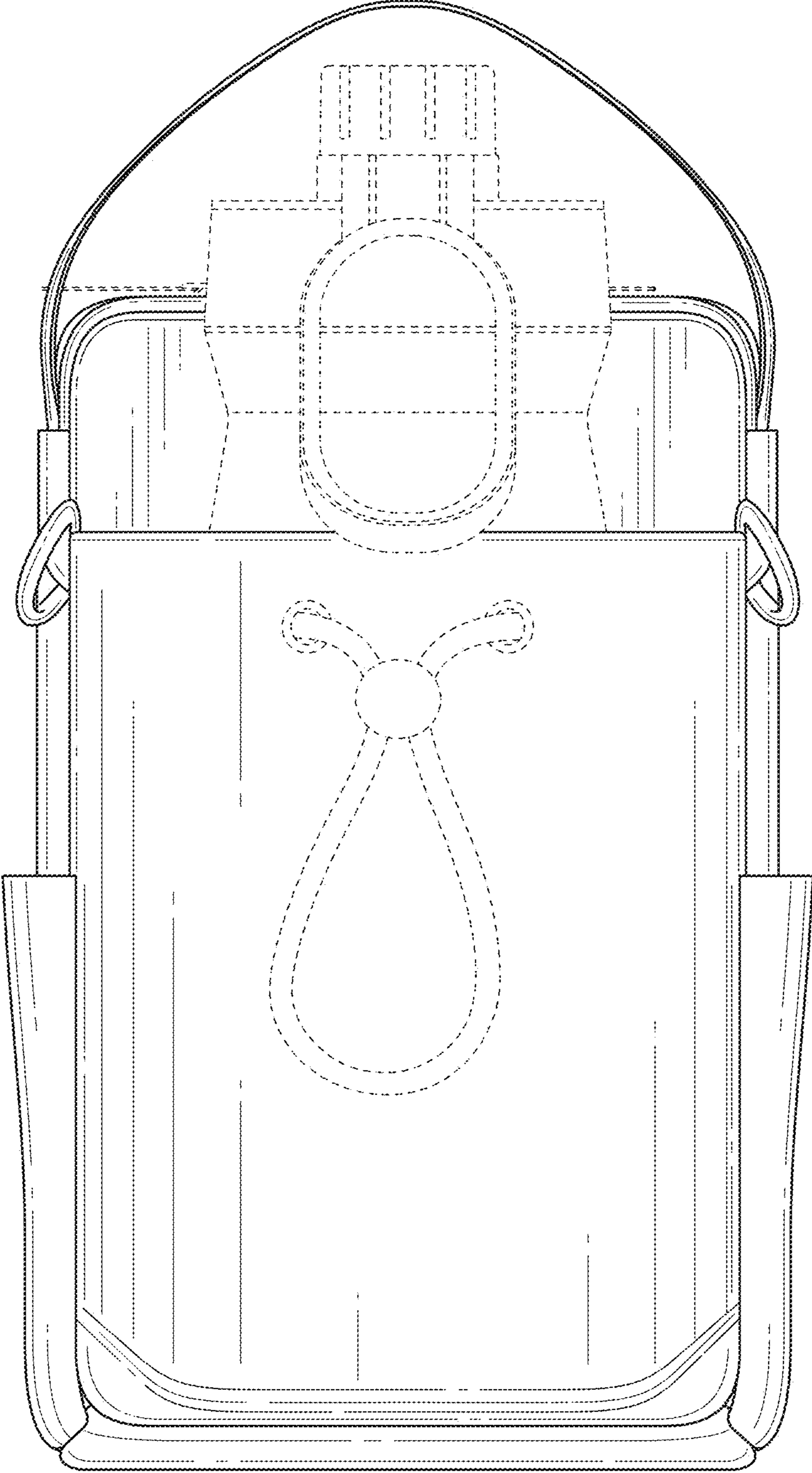


FIG. 1

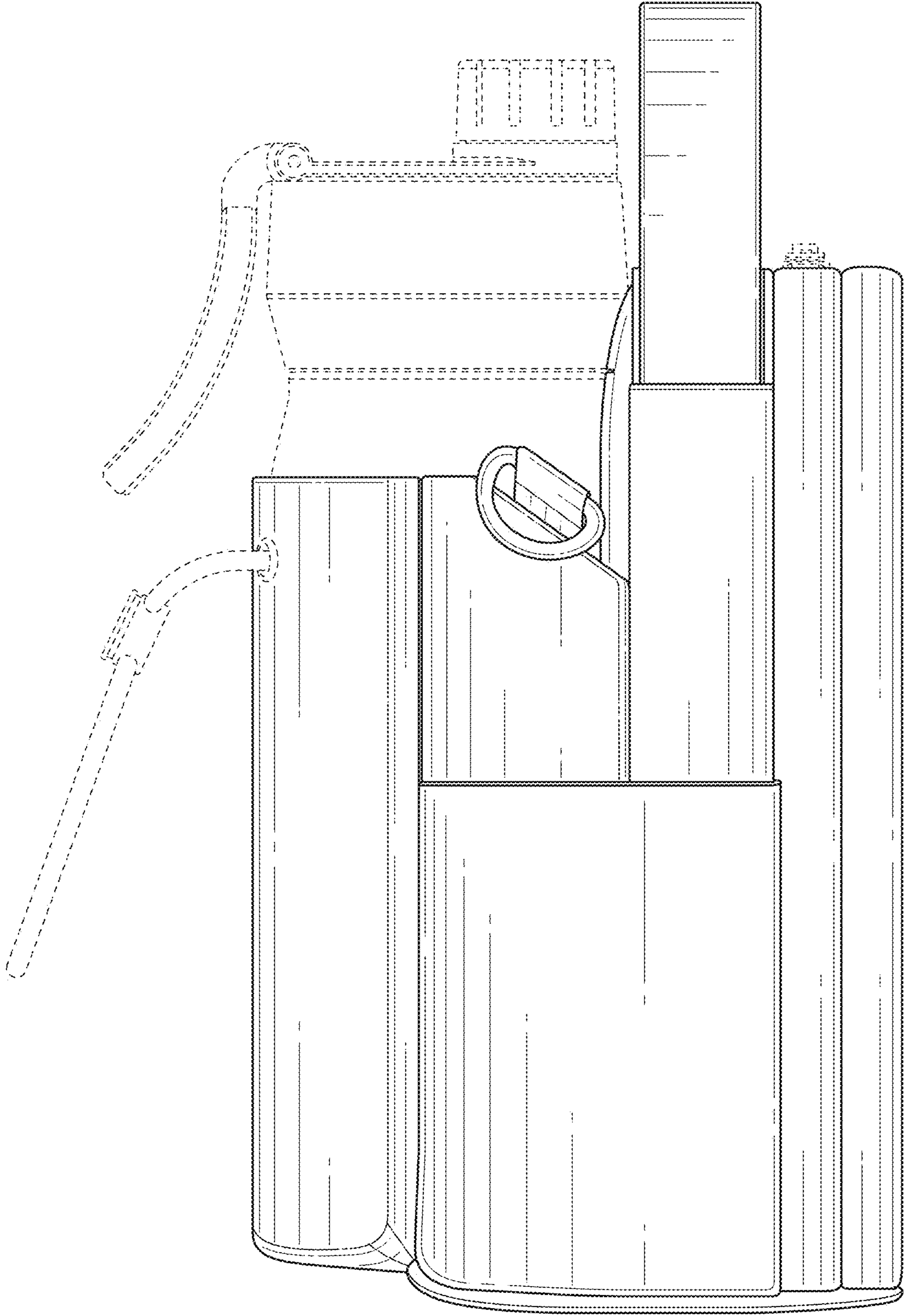


FIG. 2

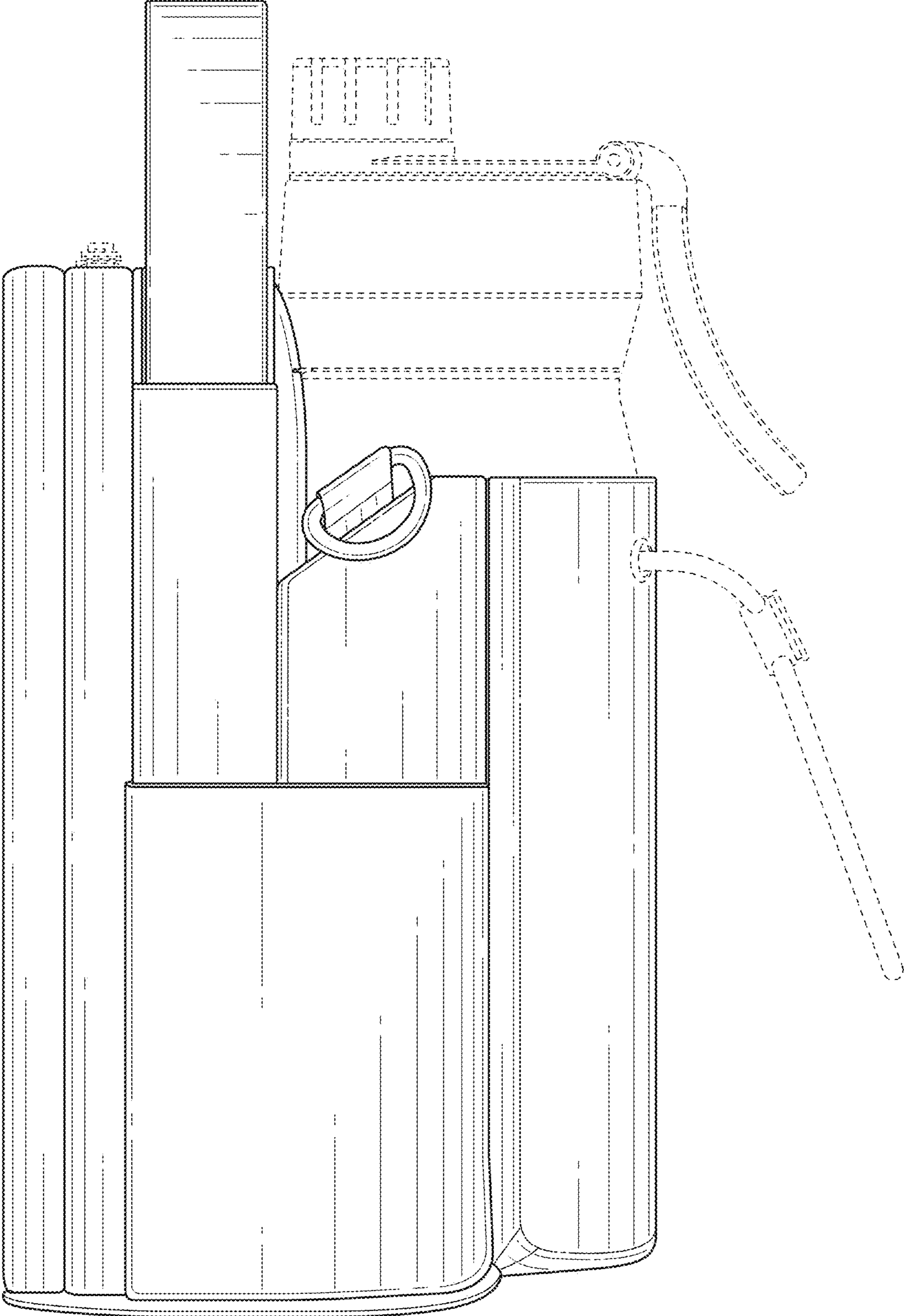


FIG. 3

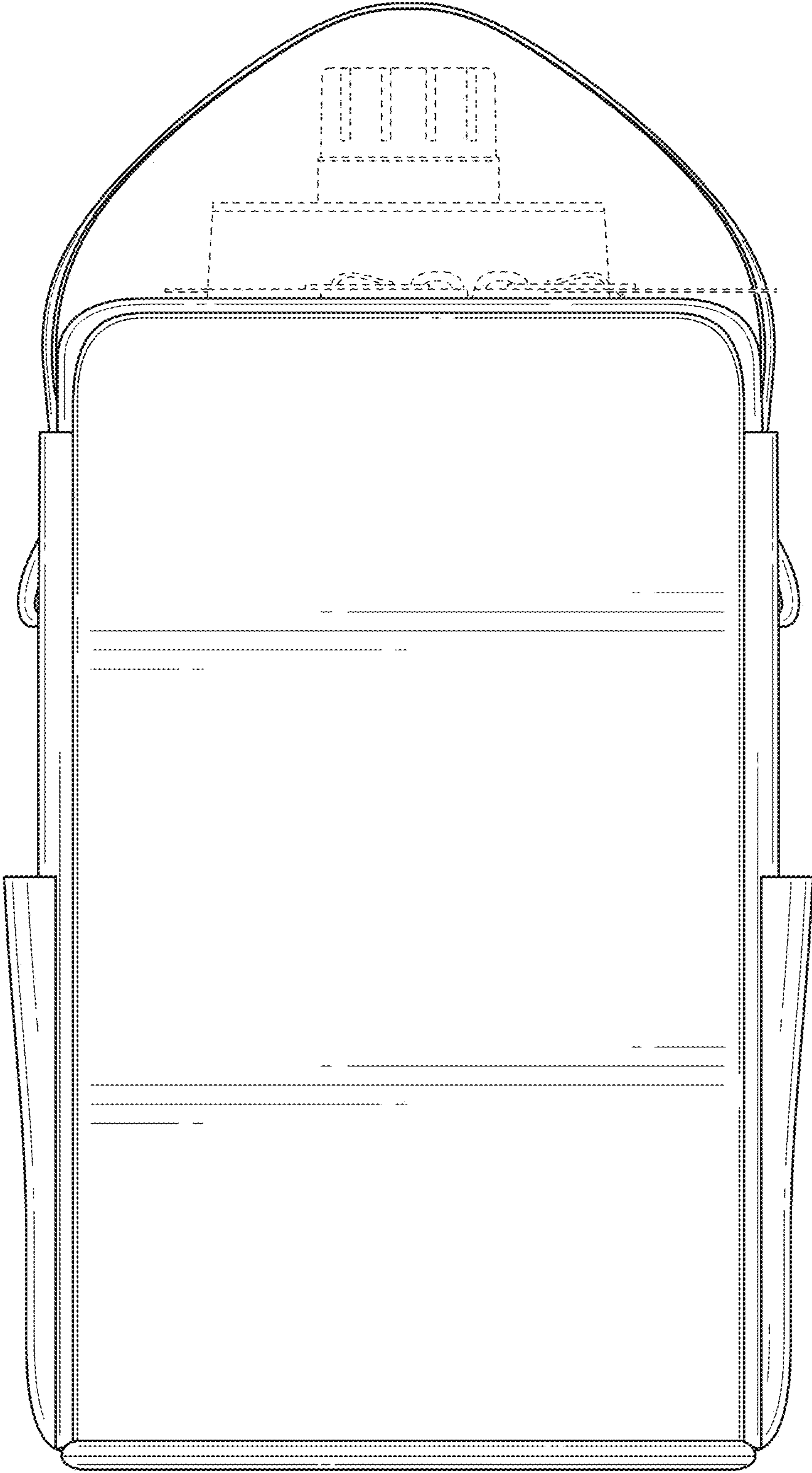


FIG. 4

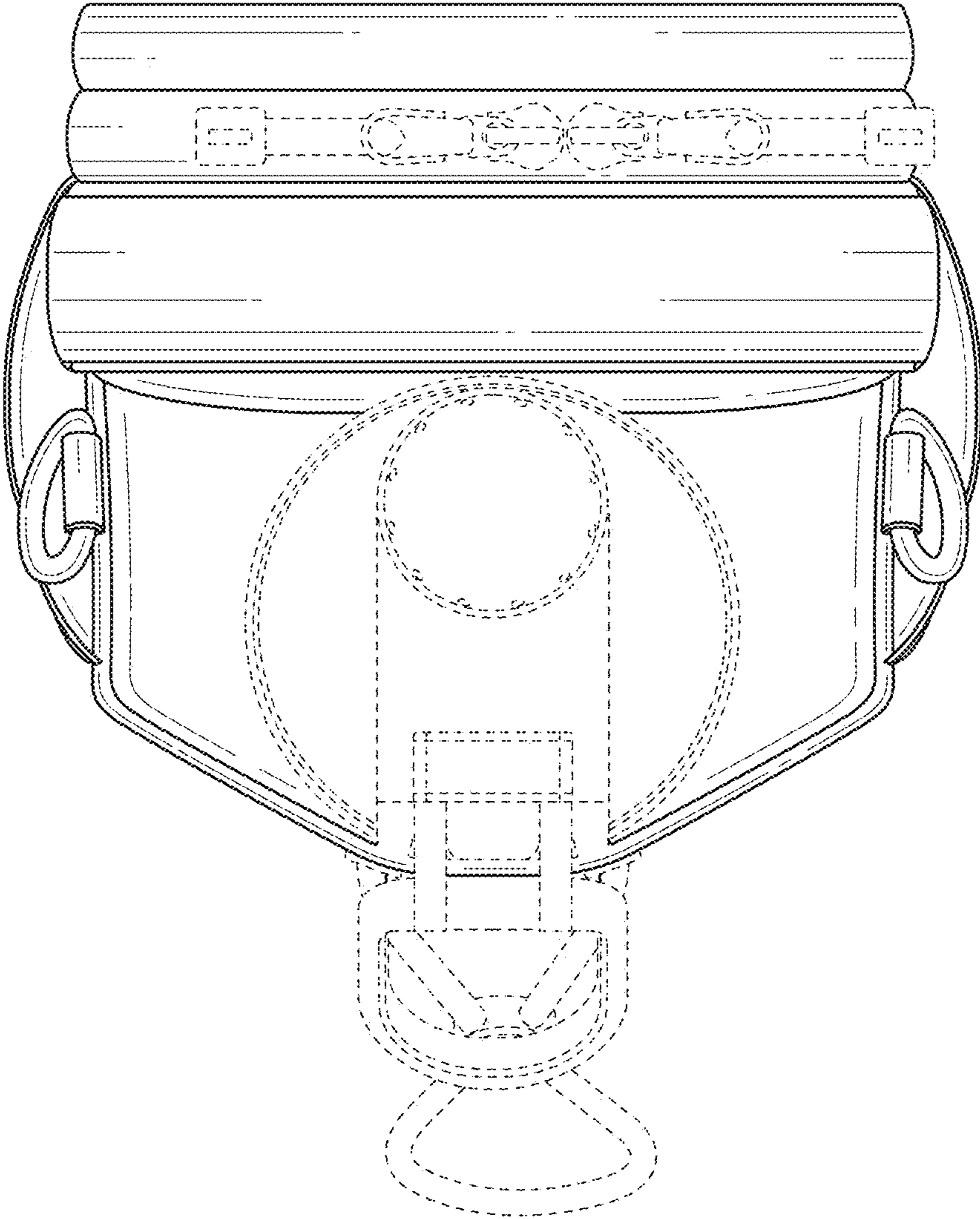


FIG. 5

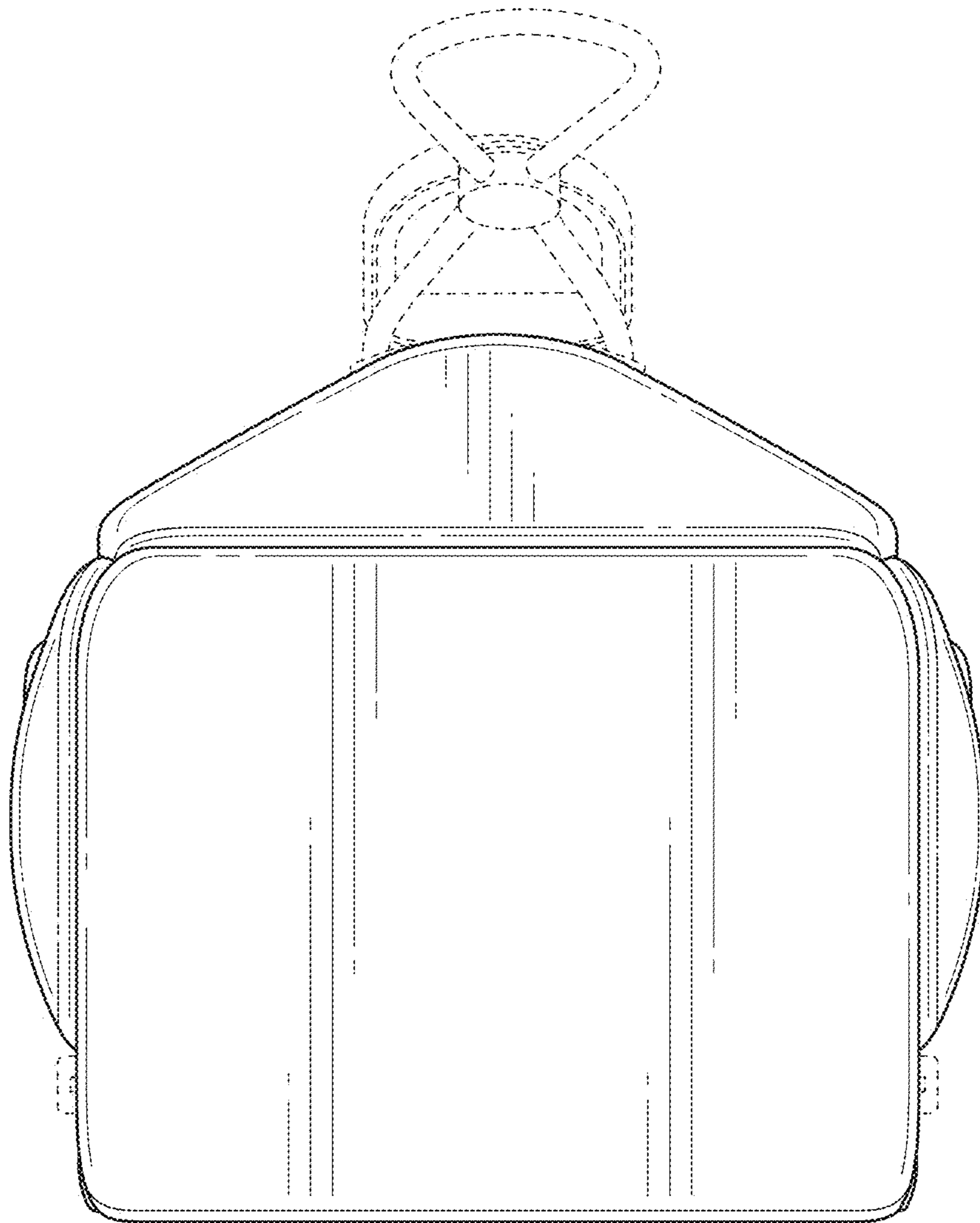


FIG. 6

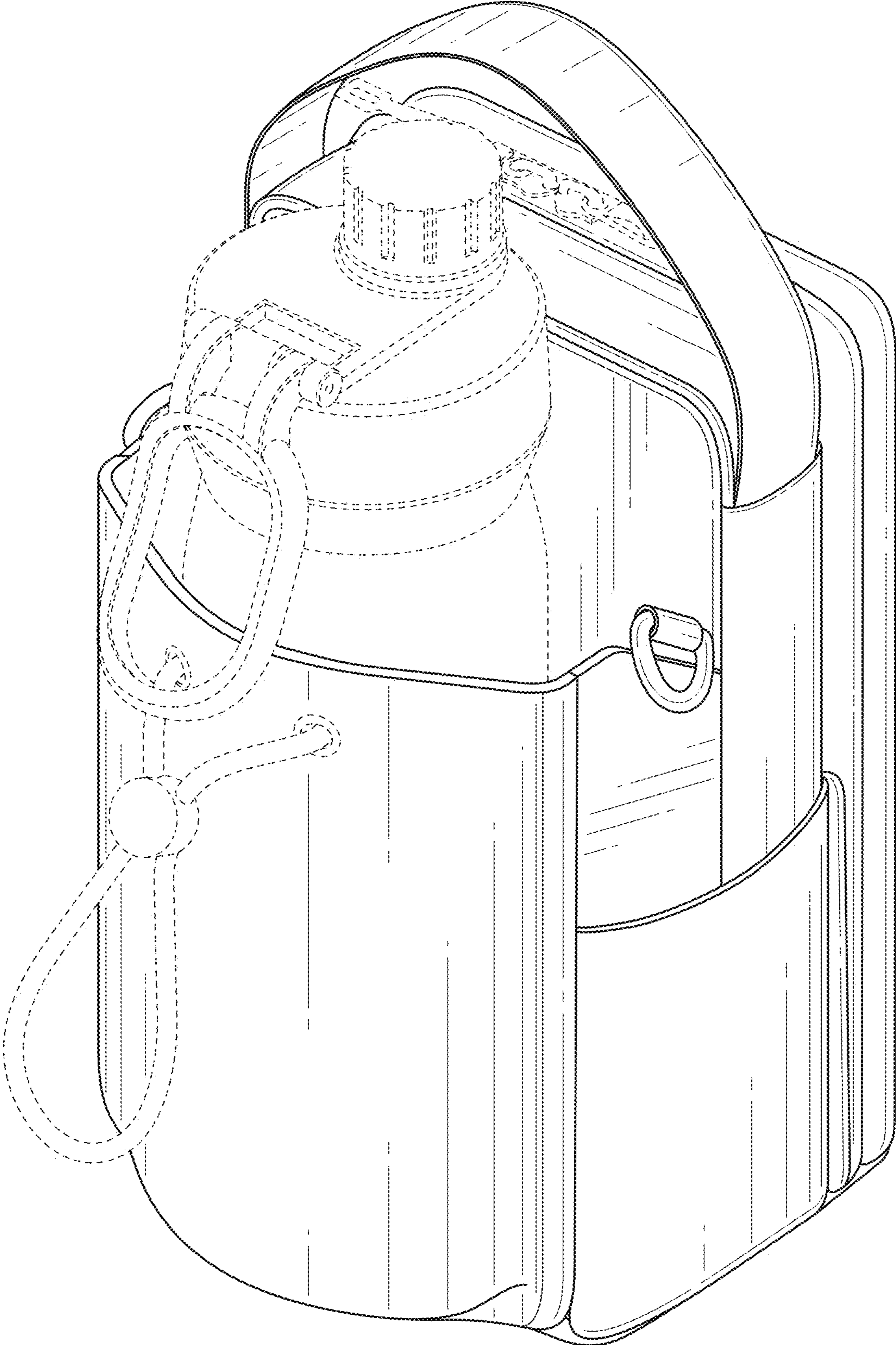


FIG. 7



FIG. 8

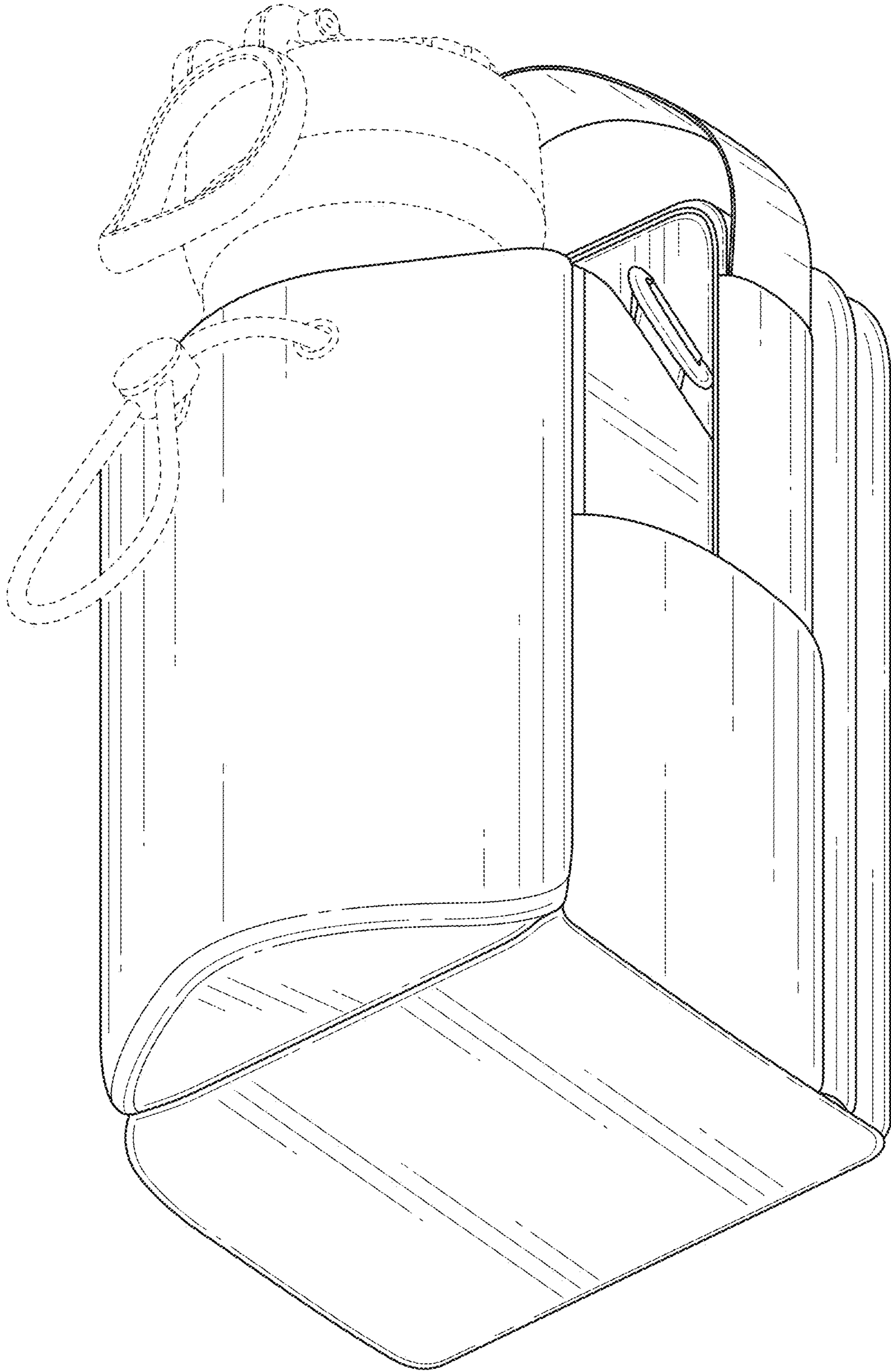


FIG. 9

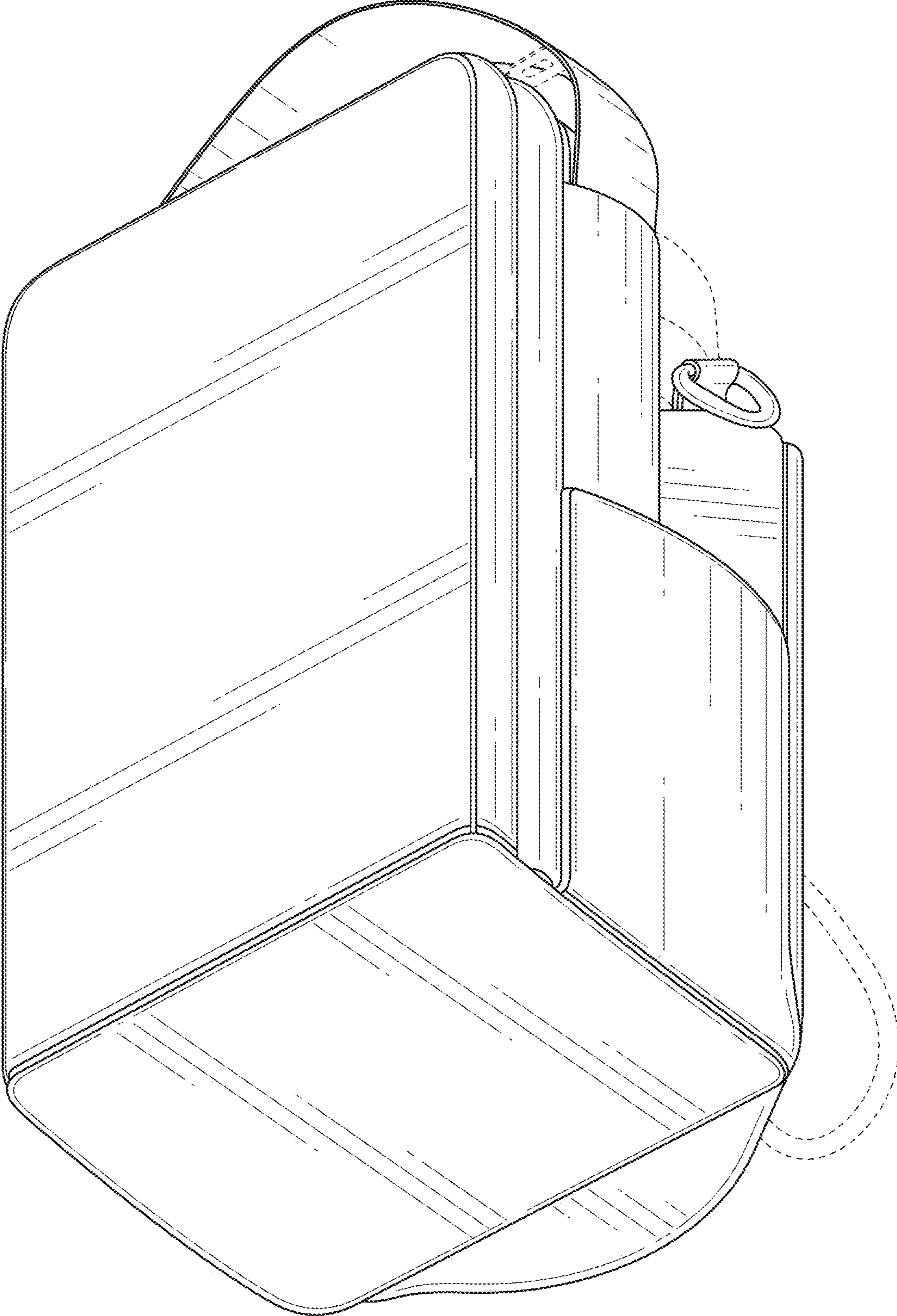


FIG. 10

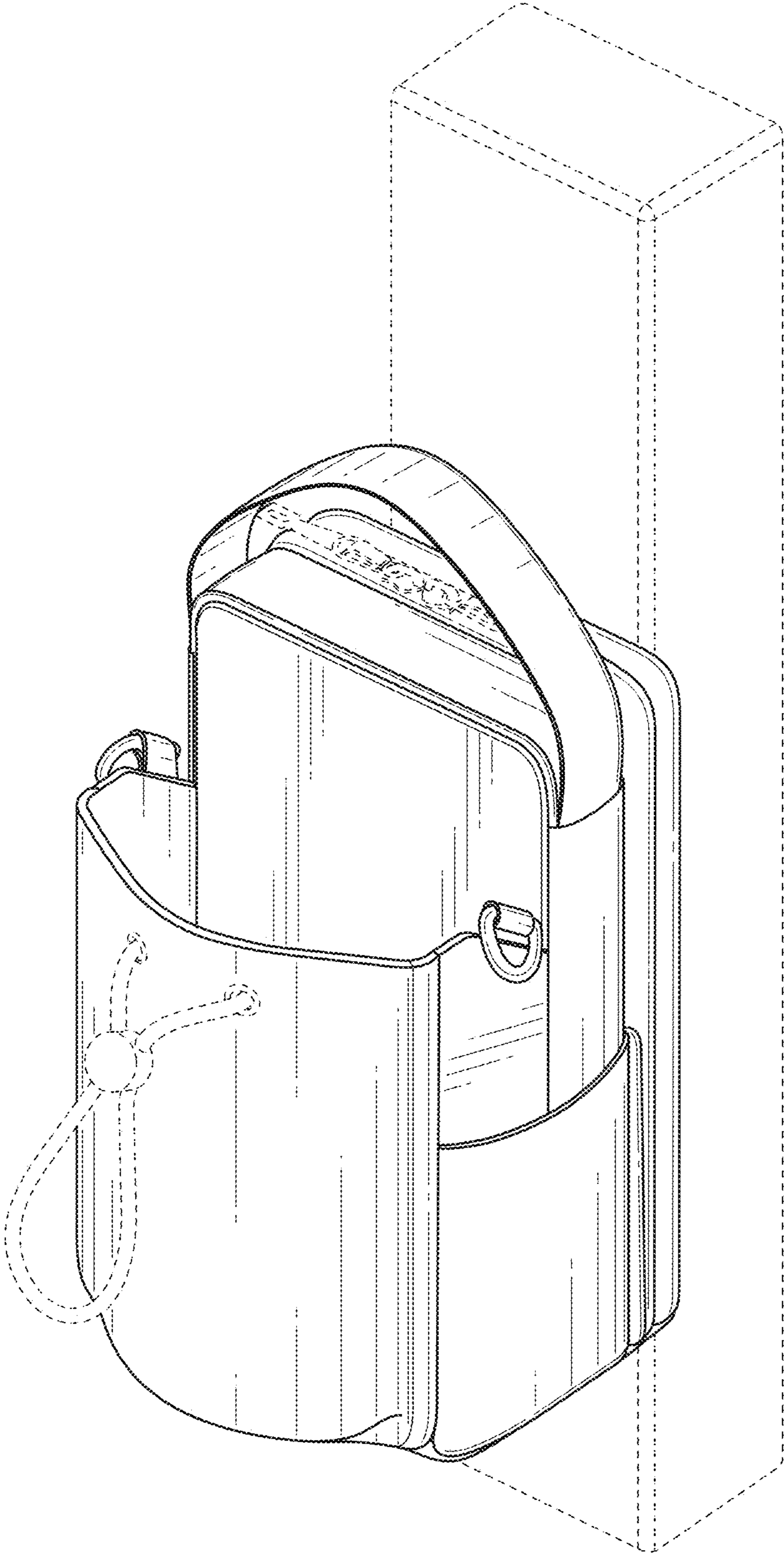


FIG. 11

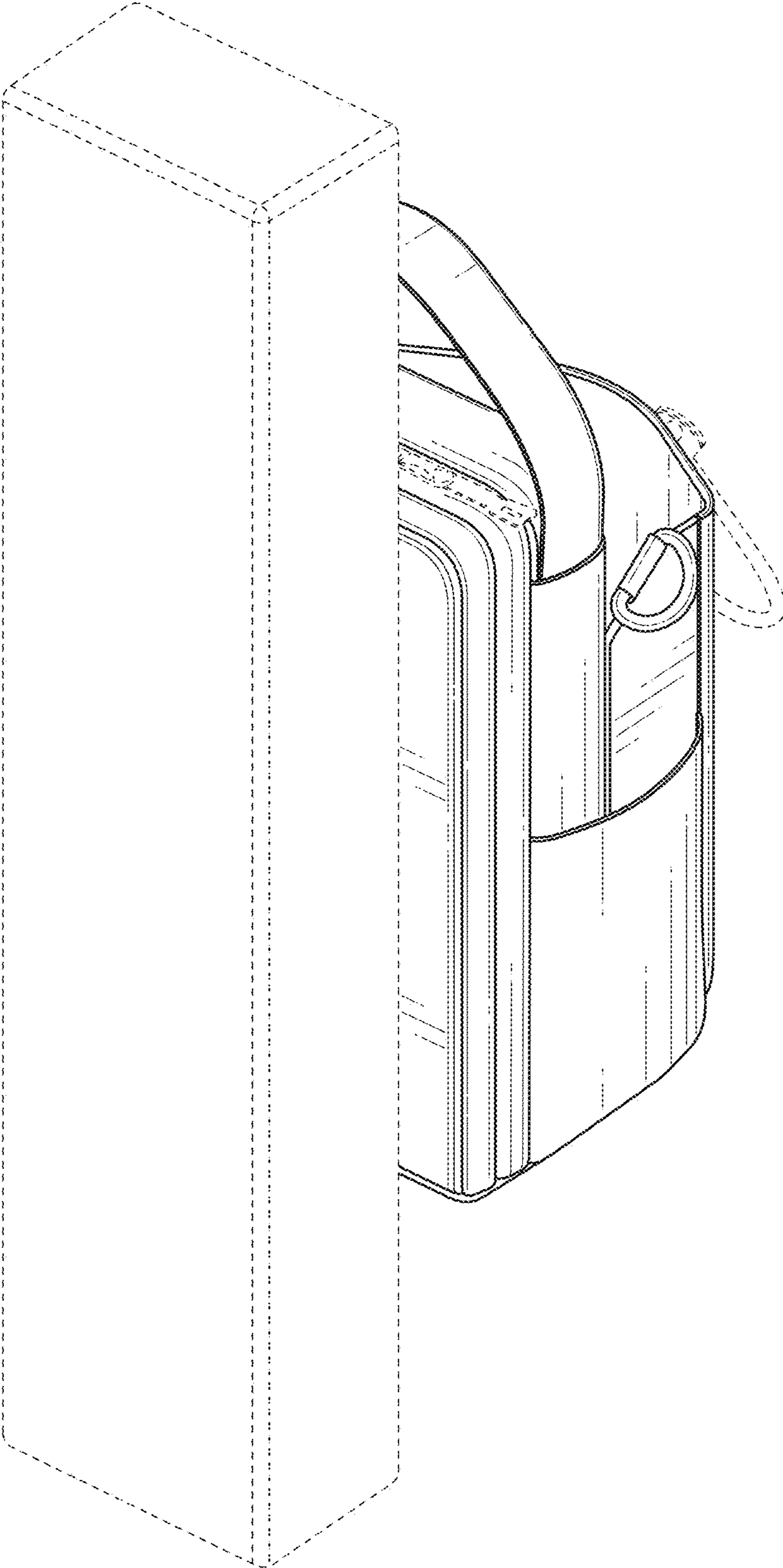


FIG. 12

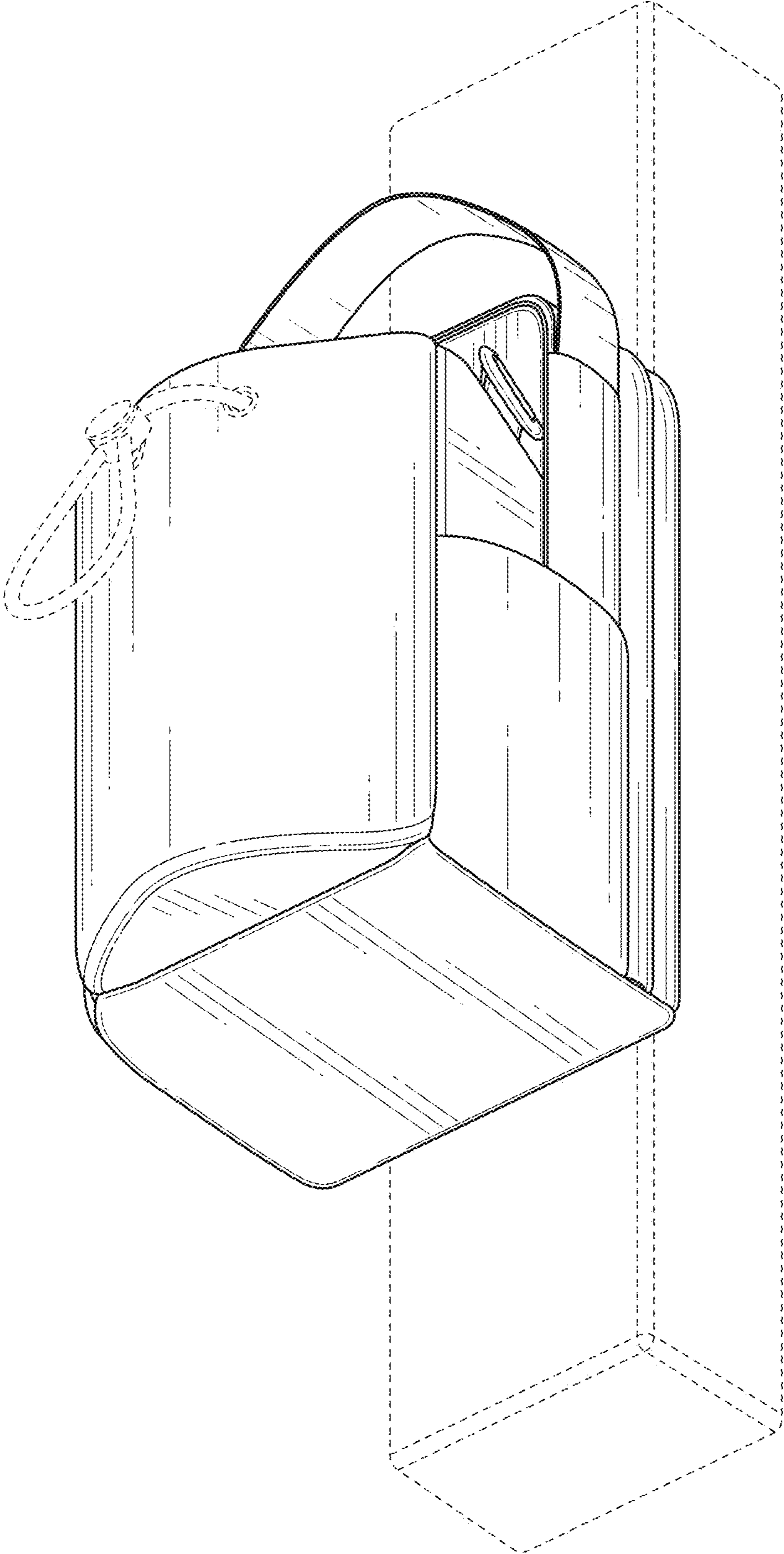


FIG. 13

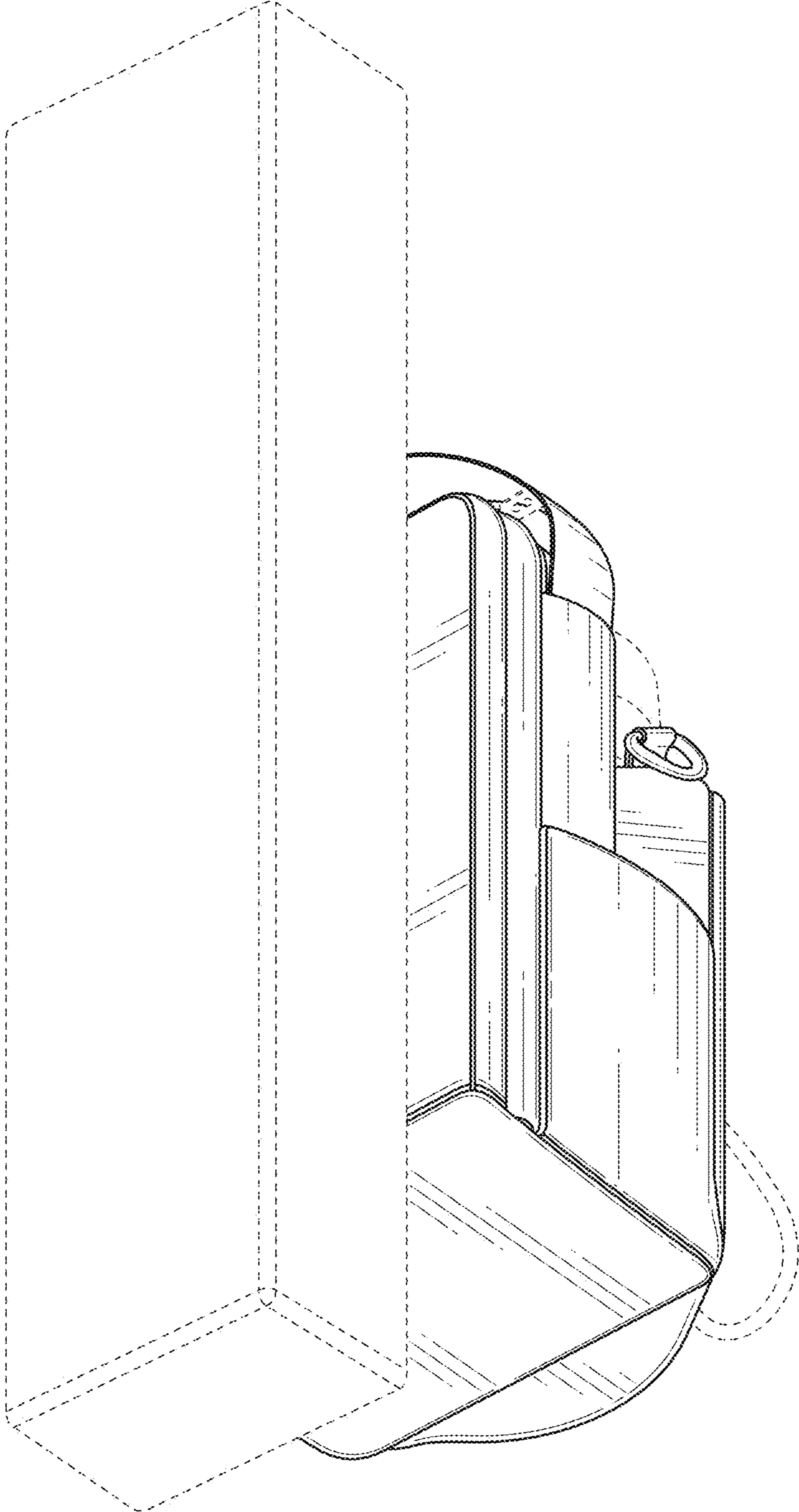


FIG. 14

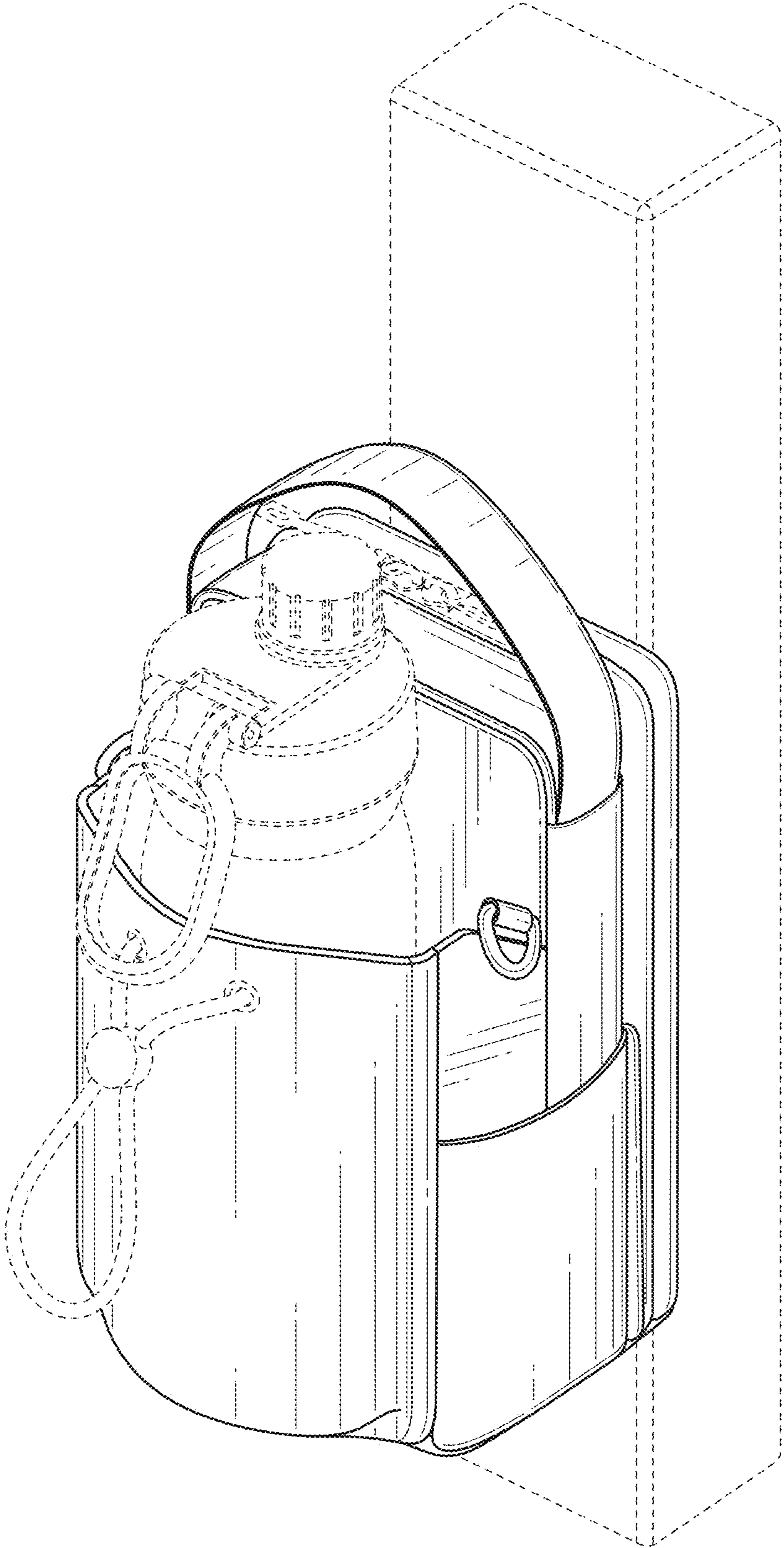


FIG. 15

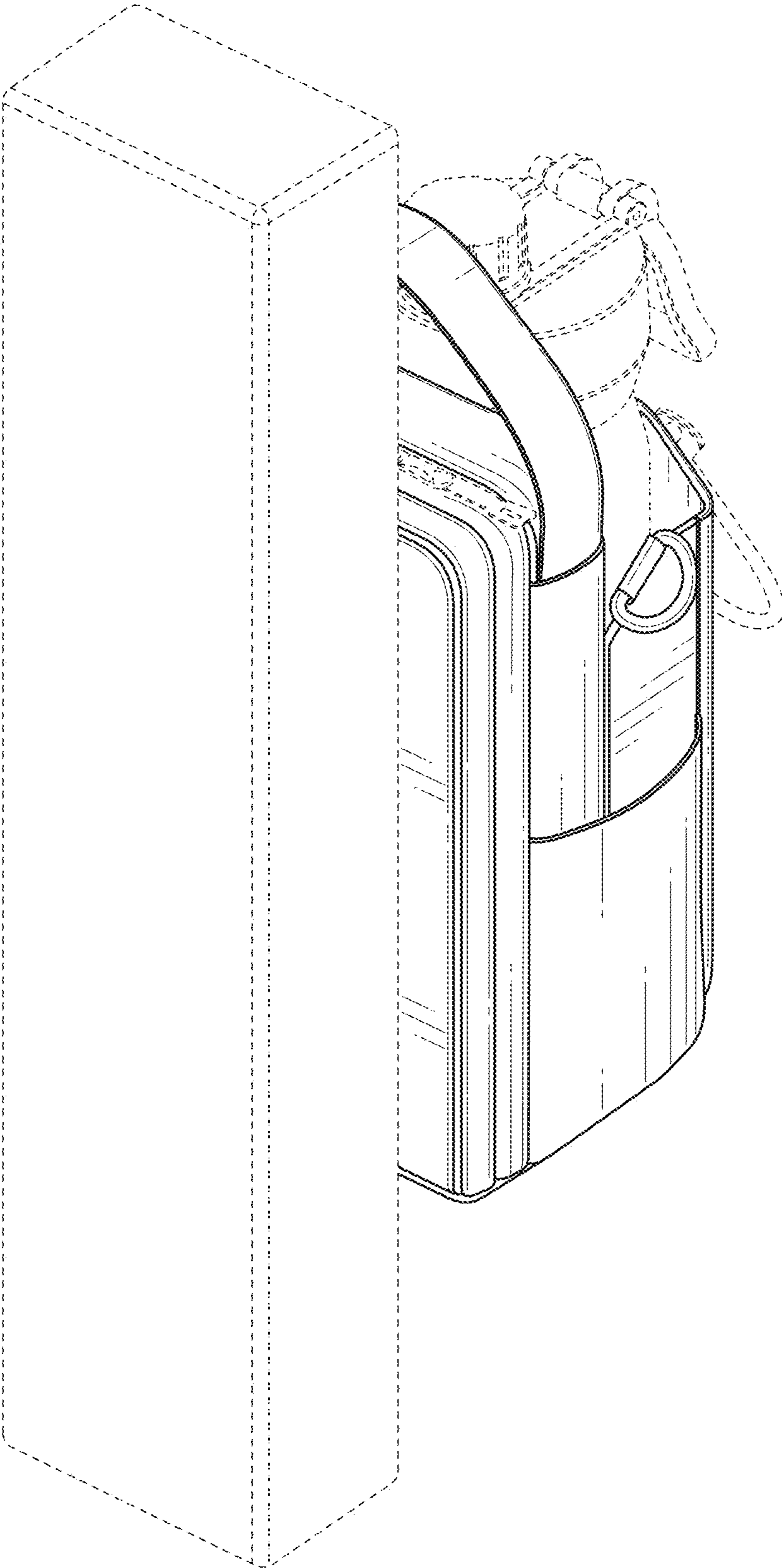


FIG. 16

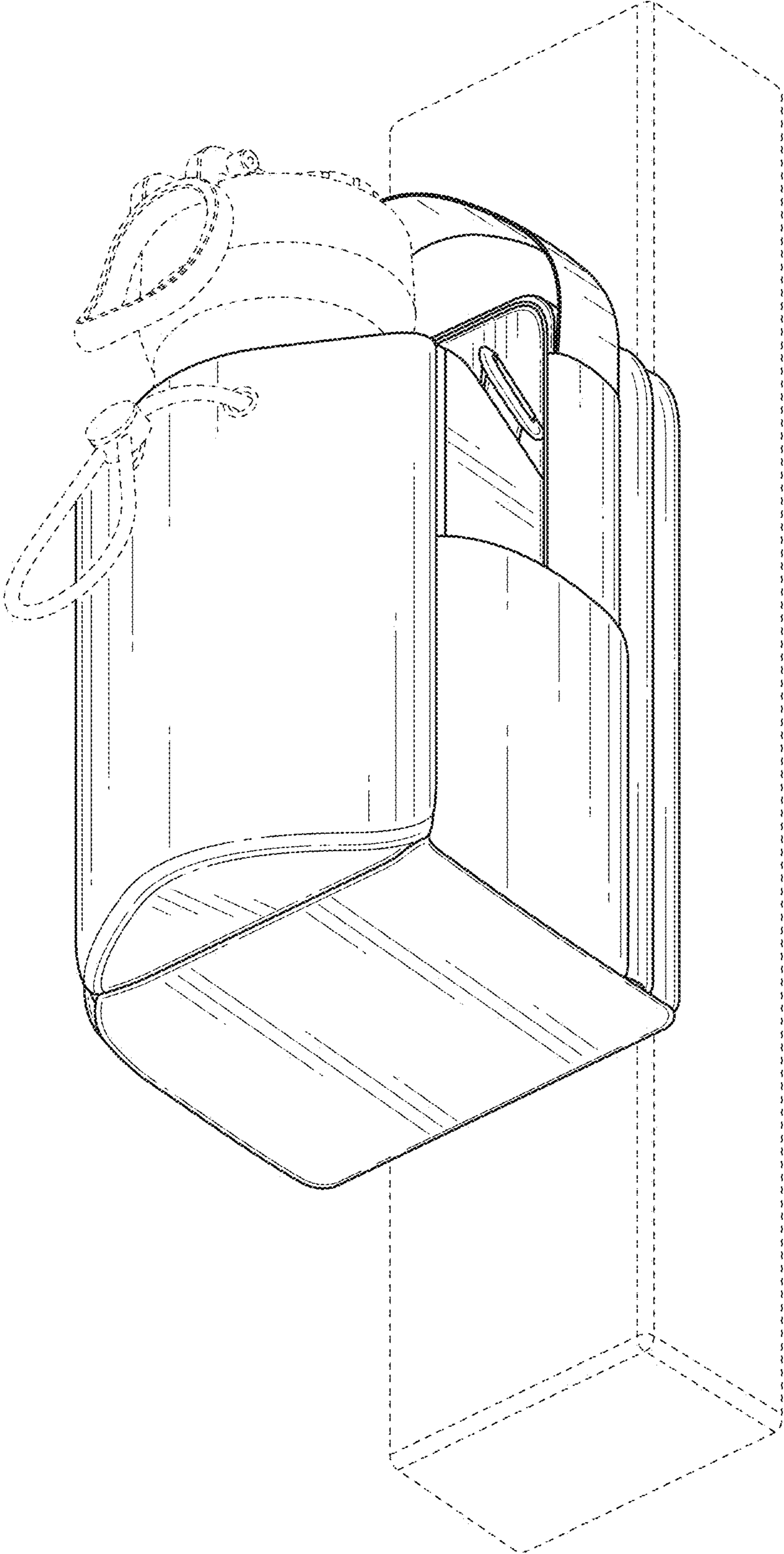


FIG. 17

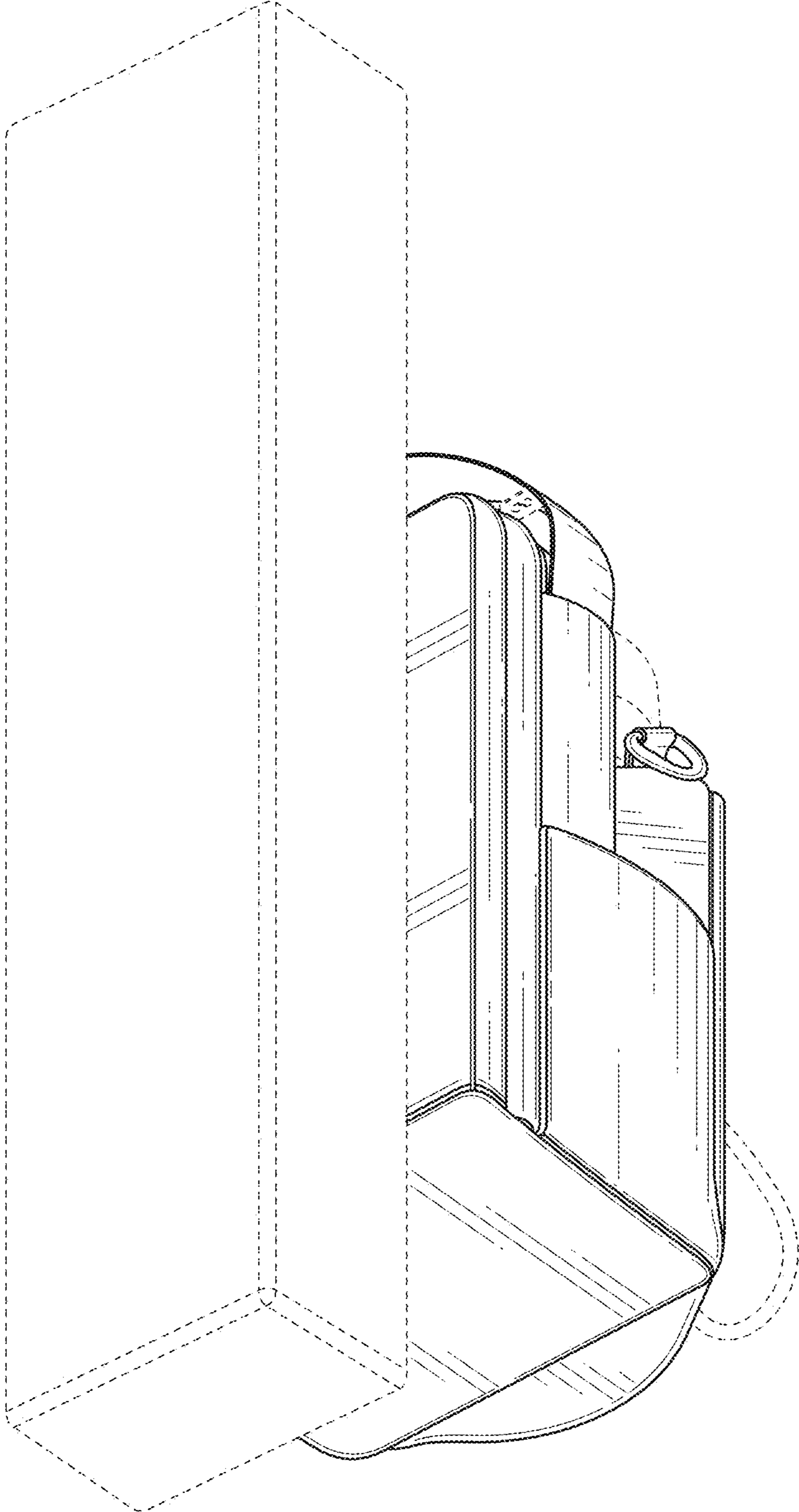


FIG. 18