



US0D1086623S

(12) **United States Design Patent** (10) **Patent No.:** **US D1,086,623 S**
Busken-Jovanovich et al. (45) **Date of Patent:** **** Jul. 29, 2025**

(54) **FLOOR CLEANER**
(71) Applicant: **BISSELL Inc.**, Grand Rapids, MI (US)
(72) Inventors: **Isaac Busken-Jovanovich**, Cincinnati, OH (US); **Colin Bloemendaal**, Grand Rapids, MI (US)
(73) Assignee: **BISSELL Inc.**, Grand Rapids, MI (US)
(**) Term: **15 Years**

D371,653 S * 7/1996 Nagamine D32/22
D381,479 S * 7/1997 Worwag D32/22
D403,477 S * 12/1998 Tsujimoto D32/22
D403,480 S * 12/1998 Diebel D32/22
D418,265 S * 12/1999 Farone D32/22
D509,632 S * 9/2005 Shin D32/22
D509,932 S * 9/2005 Shin D32/22
D527,505 S * 8/2006 Kaido D32/22
D584,017 S * 12/2008 Griffin D32/22
D607,161 S * 12/2009 Ayers D32/22
D617,511 S * 6/2010 Griffin D32/22

(Continued)

(21) Appl. No.: **29/902,972**
(22) Filed: **Sep. 19, 2023**
(51) **LOC (15) Cl.** **15-05**
(52) **U.S. Cl.**
USPC **D32/22**
(58) **Field of Classification Search**
USPC D15/199; D21/526, 578; D32/15, 16,
D32/19, 21, 22, 24, 38
CPC ... A47L 5/00; A47L 5/12; A47L 11/00; A47L
11/24; A47L 11/32; A47L 11/33
See application file for complete search history.

OTHER PUBLICATIONS

Swivel Vacuum, posted Jan. 19, 2021 [online], [retrieved Mar. 26, 2025]. Retrieved from internet, <https://www.amazon.com/Bissell%20AE-CleanView-Extension-Easy-Empty-Multi-Cyclonic/dp/B0CWB3TF7X> (Year: 2021).*

(Continued)

Primary Examiner — Leah MacChiarolo
Assistant Examiner — Taylor O Mortorff
(74) *Attorney, Agent, or Firm* — Warner Norcross + Judd LLP

(56) **References Cited**

U.S. PATENT DOCUMENTS

D263,235 S * 3/1982 Akita D32/22
D275,428 S * 9/1984 Wareham D32/22
D292,335 S * 10/1987 Wareham D32/22
D293,727 S * 1/1988 Wareham D32/22
D293,728 S * 1/1988 Ohhira D32/22
D306,225 S * 2/1990 Correa D32/22
D314,260 S * 1/1991 Lee D32/22
D314,847 S * 2/1991 Shouji D32/22
D315,042 S * 2/1991 Ikeda D32/22
D327,145 S * 6/1992 Kuriya D32/22
D335,556 S * 5/1993 Kuriya D32/22
D346,052 S * 4/1994 Saunders D32/22
D354,379 S * 1/1995 Shinozaki D32/22
D358,236 S * 5/1995 Kopco D32/22
D358,913 S * 5/1995 Sugiyama D32/22

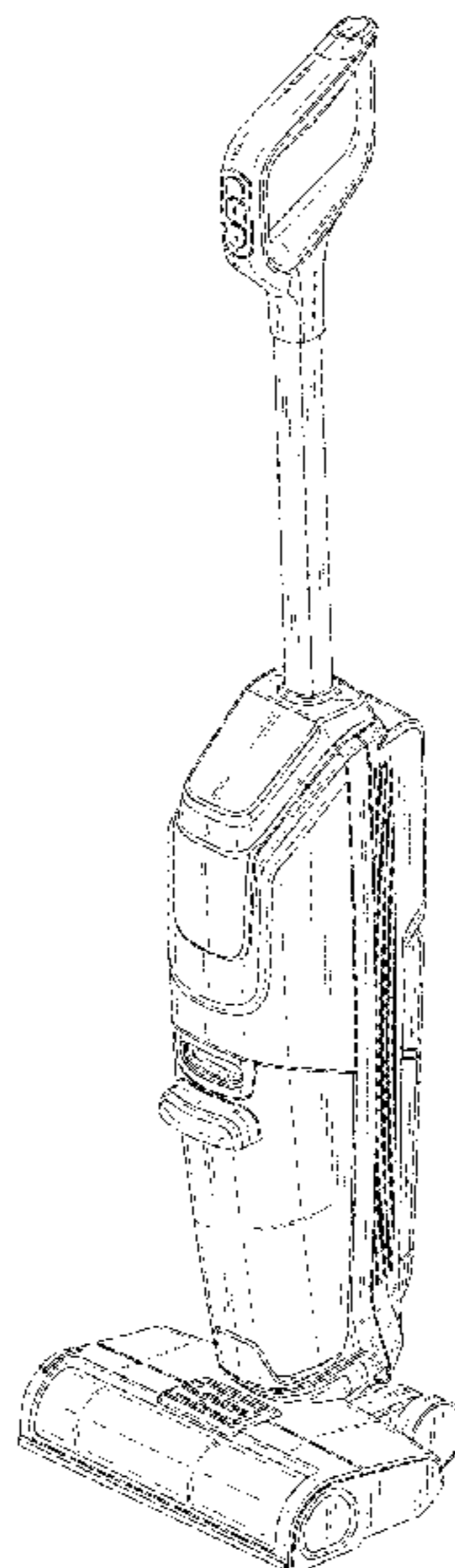
(57) **CLAIM**

The ornamental design for a floor cleaner, as shown and described.

DESCRIPTION

FIG. 1 is a front perspective view of a floor cleaner showing our new design;
FIG. 2 is a rear perspective view thereof;
FIG. 3 is a front view thereof;
FIG. 4 is a rear view thereof;
FIG. 5 is a right side view thereof;
FIG. 6 is a left view thereof; and,
FIG. 7 is a top view thereof.

1 Claim, 7 Drawing Sheets



(56)

References Cited

U.S. PATENT DOCUMENTS

D629,577 S * 12/2010 Bassett D32/22
D637,777 S * 5/2011 Fiorino D32/31
D870,995 S * 12/2019 Burgess D32/22
2011/0023263 A1* 2/2011 Boyes A47L 5/28
15/383
2017/0296014 A1* 10/2017 Warren A47L 9/281
2019/0090710 A1* 3/2019 Marcus A47L 9/12

OTHER PUBLICATIONS

Vacuum Cleaner, posted Jan. 5, 2022 [online], [retrieved Mar. 26, 2025]. Retrieved from internet, <https://www.amazon.com/BISSELL-CleanView-Swivel-Rewind-Cleaner/dp/B09LPCZ9FF> (Year: 2022).*

* cited by examiner

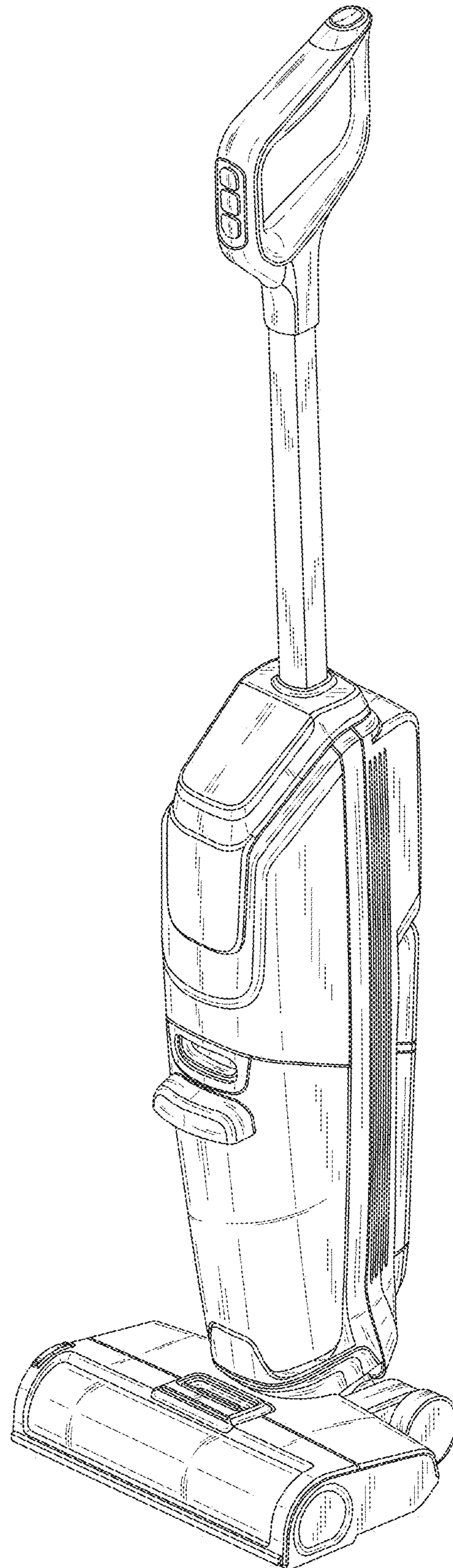


FIG. 1

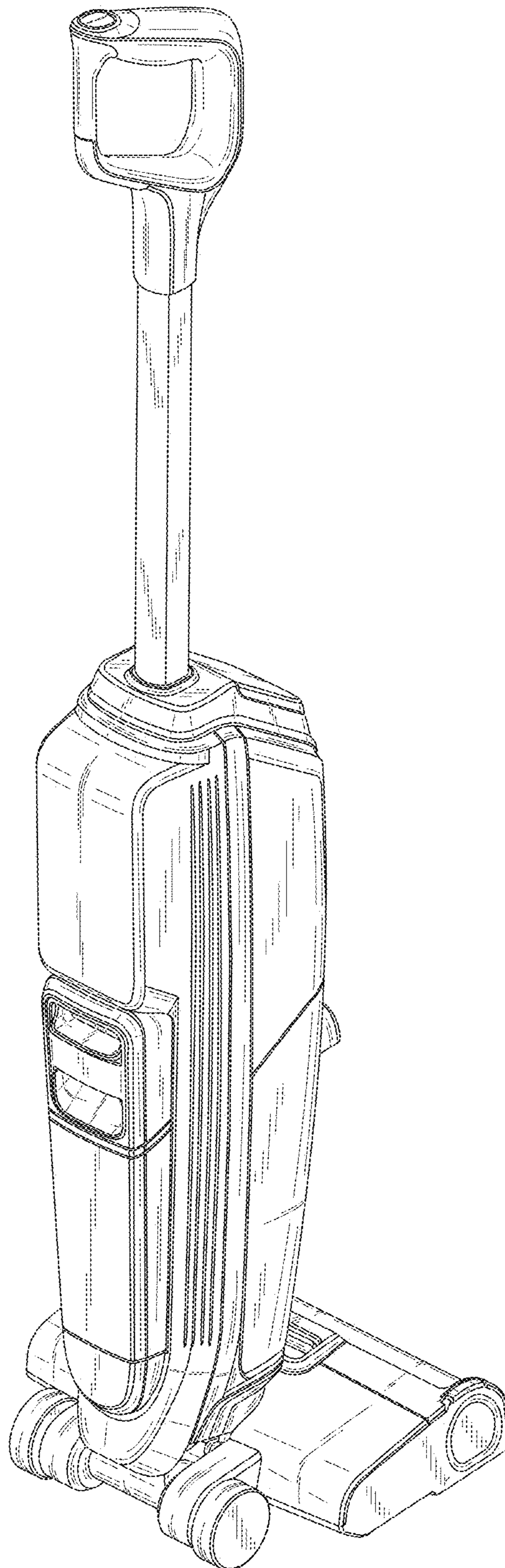


FIG. 2

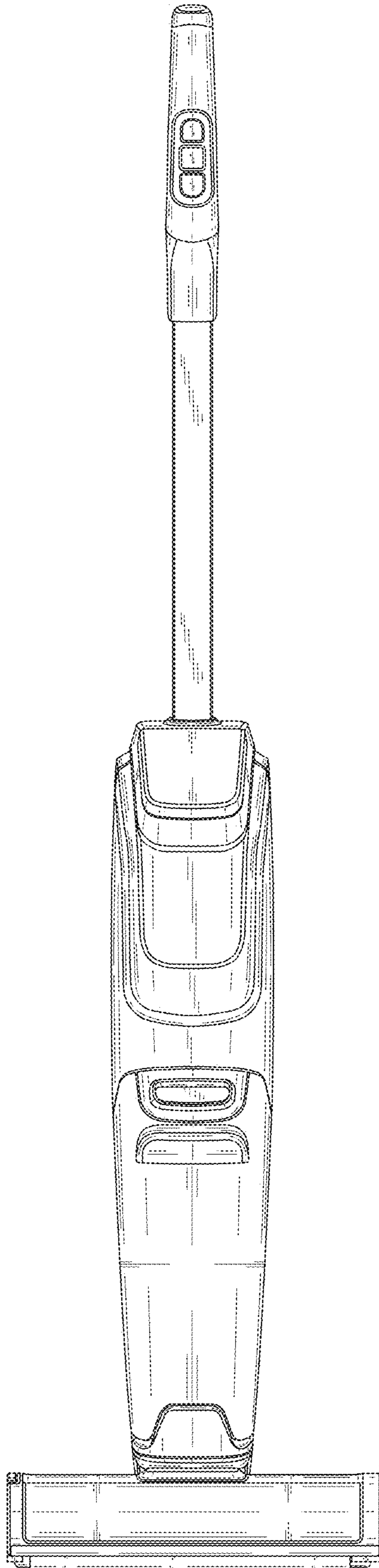


FIG. 3

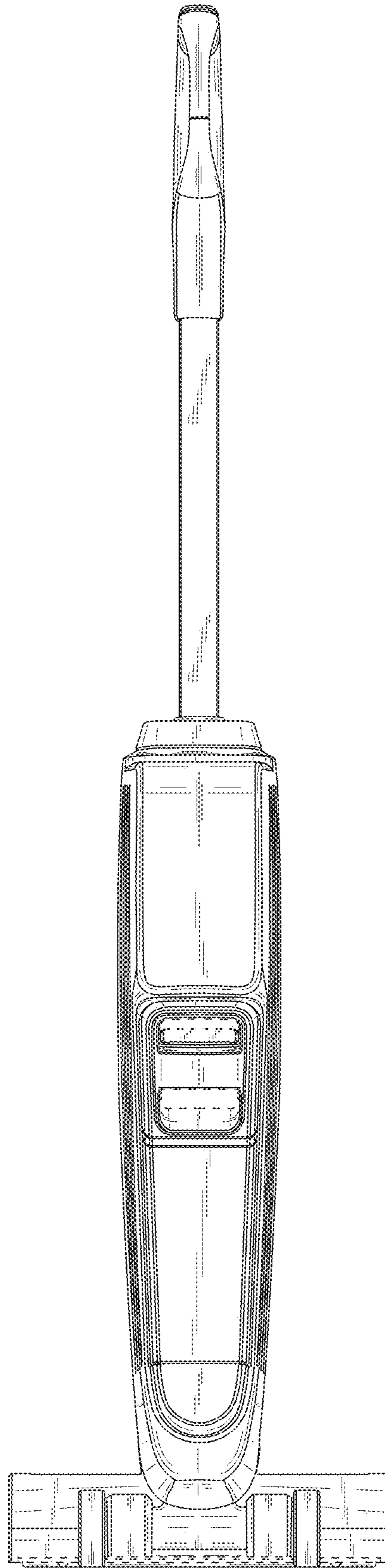


FIG. 4

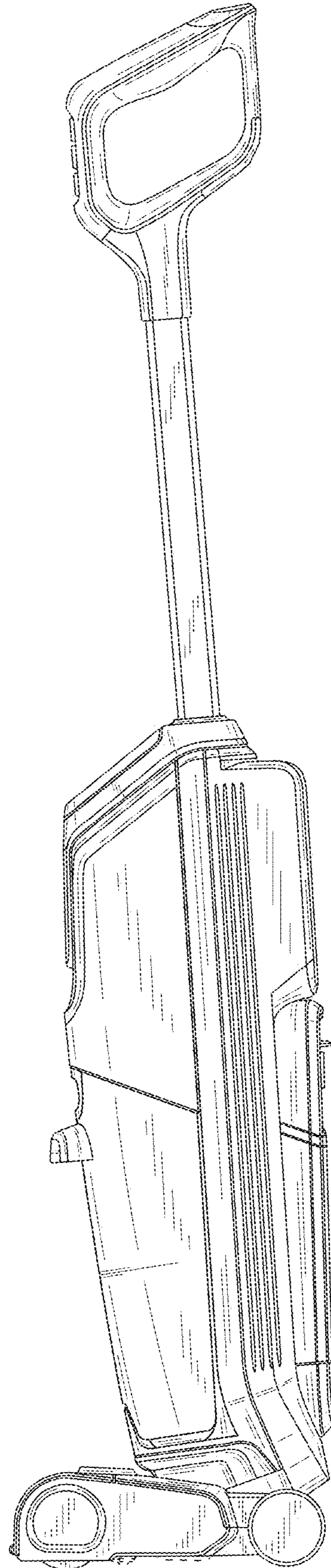


FIG. 5

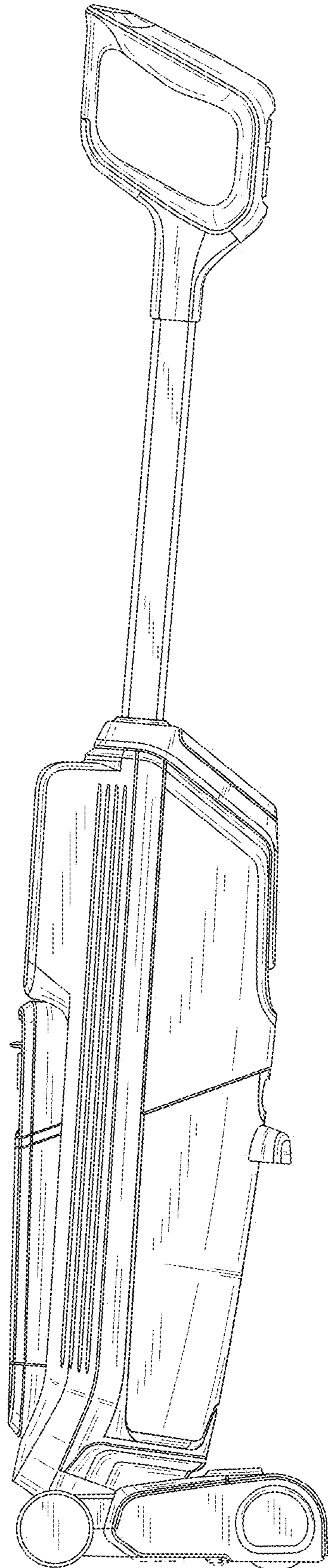


FIG. 6

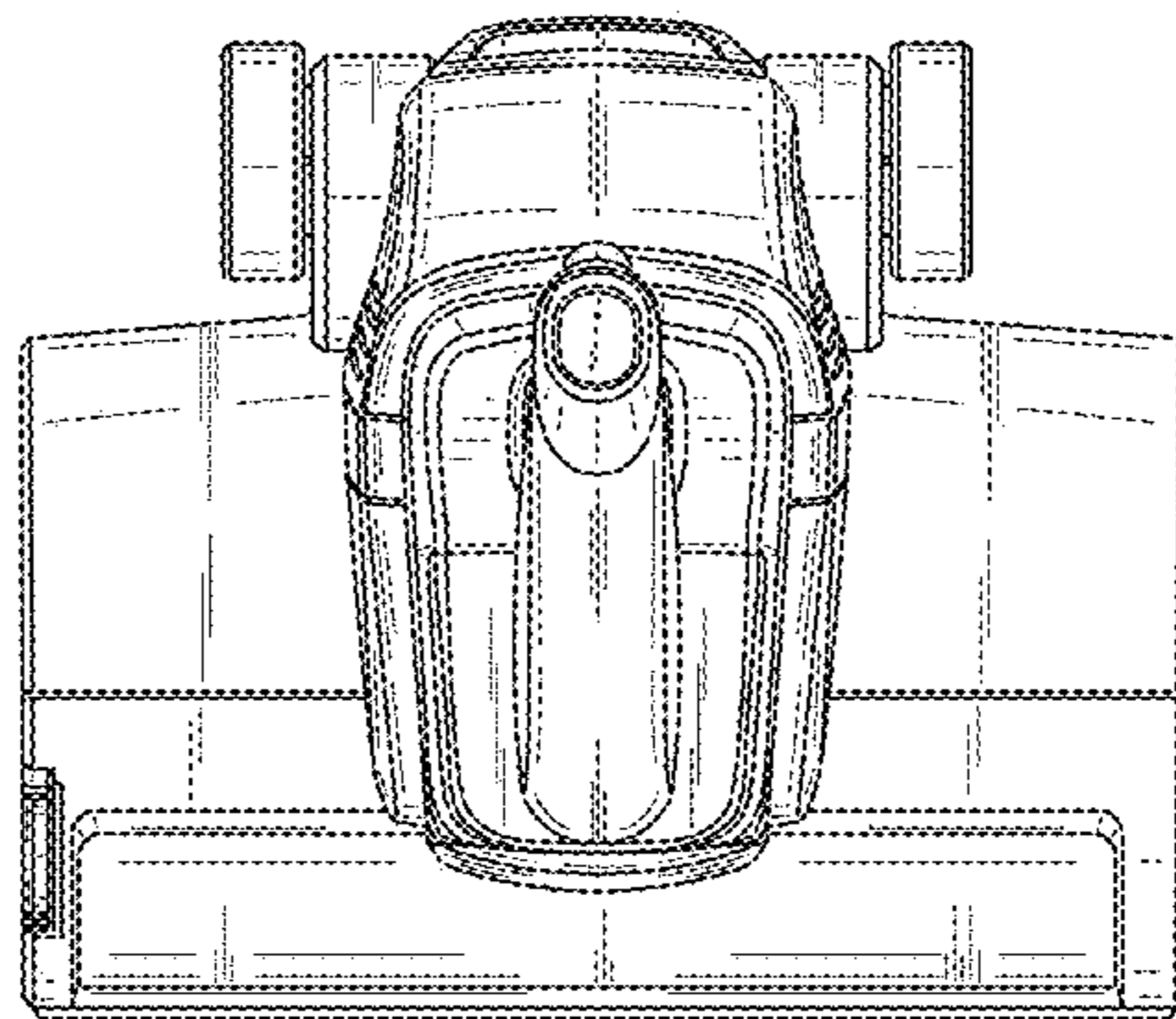


FIG. 7