



US0D1085234S

(12) **United States Design Patent**
Persaud

(10) **Patent No.:** **US D1,085,234 S**
(45) **Date of Patent:** **** Jul. 22, 2025**

- (54) **SIGN HOLDER**
- (71) Applicant: **Kawal Persaud**, Sorrento, FL (US)
- (72) Inventor: **Kawal Persaud**, Sorrento, FL (US)
- (**) Term: **15 Years**
- (21) Appl. No.: **29/868,321**
- (22) Filed: **Nov. 29, 2022**
- (51) **LOC (15) Cl.** **20-03**
- (52) **U.S. Cl.**
USPC **D20/43**
- (58) **Field of Classification Search**
USPC D20/10, 13, 18-19, 40-41, 43, 99;
D6/672-673; D11/131-132, 140,
D11/155-156, 206, 236; D12/193, 223,
D12/420
CPC G09F 2013/1804; G09F 2013/184; G09F
2013/1872; G09F 13/04; G09F 13/02;
G09F 13/00; G09F 13/20; G09F 13/34;
G09F 15/00; G09F 7/00; A47G 1/06
See application file for complete search history.

D684,411	S	*	6/2013	Kong	D6/673
D740,367	S	*	10/2015	White	D8/394
D766,373	S	*	9/2016	Schwartz	D20/43
D798,135	S	*	9/2017	Douppnik	D8/382
9,805,632	B2		10/2017	Frost		
10,134,308	B2	*	11/2018	Logan	G09F 7/10
D841,095	S	*	2/2019	Pickrell	D20/43
D879,216	S	*	3/2020	Dunahay	D8/354
D887,492	S	*	6/2020	Hovious	D20/13
D906,915	S	*	1/2021	Pham	D12/193
D942,561	S	*	2/2022	Dunahay	D21/686
D949,264	S	*	4/2022	Dunahay	D21/694

(Continued)

Primary Examiner — Richard Edgar
Assistant Examiner — Cheng Chen

(57) **CLAIM**

The ornamental design for a sign holder, as shown and described.

DESCRIPTION

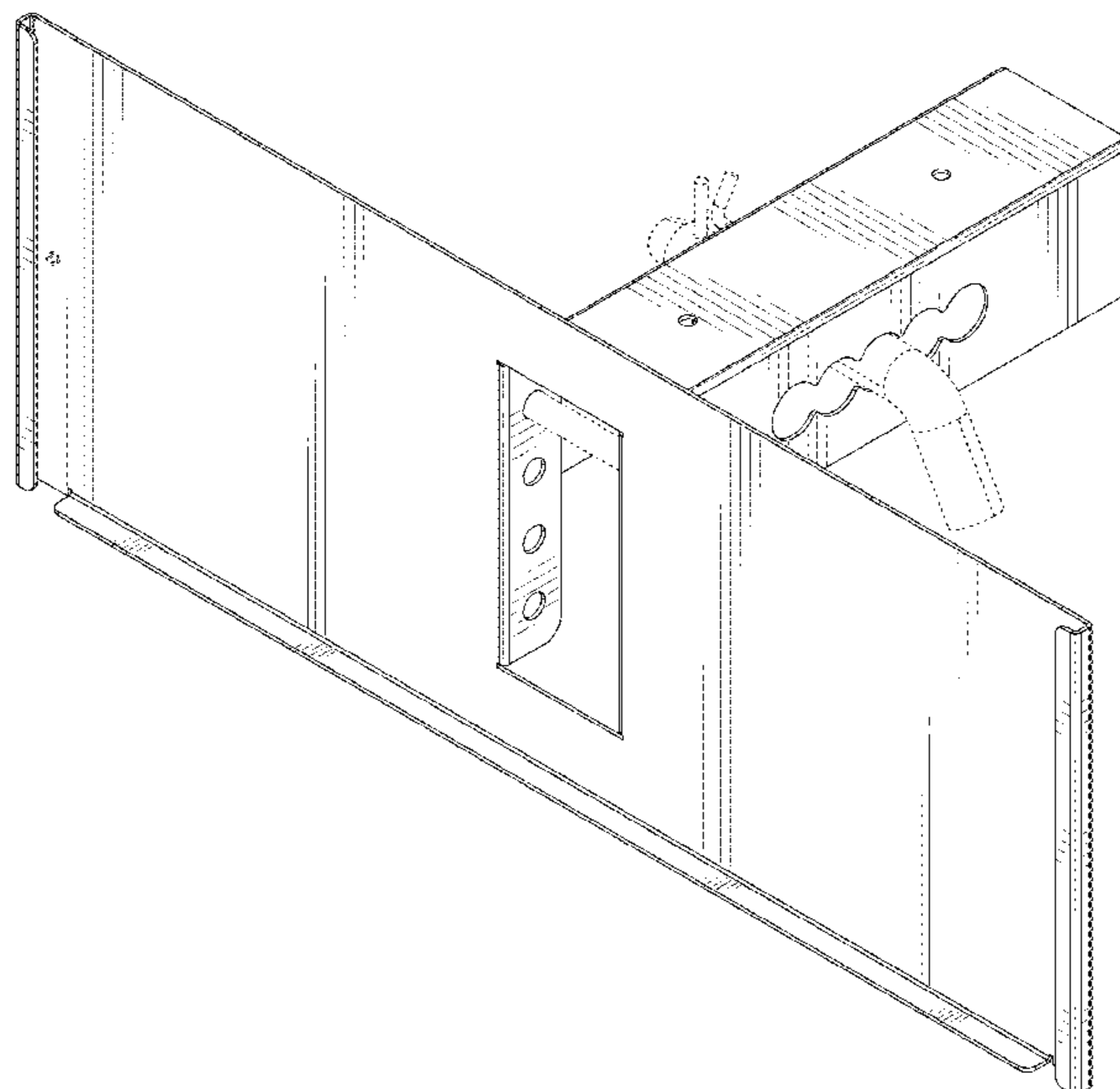
FIG. 1 is a front-top-right view of a sign holder in an exploded configuration showing my new design; FIG. 2 is a rear-bottom-left view thereof; FIG. 3 is a front elevational view thereof; FIG. 4 is a rear elevational view thereof; FIG. 5 is a top plan view thereof; FIG. 6 is a bottom plan view thereof; FIG. 7 is a left elevational view thereof; FIG. 8 is a right elevational view thereof; FIG. 9 is a front-top-left perspective view of the sign holder in an assembled configuration; FIG. 10 is a front-top-left perspective view thereof deployed with a sign; and, FIG. 11 is a rear-bottom-right perspective view thereof. The broken lines showing a detachable sign and fastening devices in FIGS. 1 through 11 are included for the purpose of showing environmental structure and form no part of the claimed design.

1 Claim, 11 Drawing Sheets

(56) **References Cited**

U.S. PATENT DOCUMENTS

27,084	A	*	2/1860	Topham	G09F 7/00 116/316
D336,931	S	*	6/1993	McDonald	D20/42
D344,294	S	*	2/1994	Foust	D20/42
5,603,178	A		2/1997	Morrison		
D407,180	S	*	3/1999	Riga	D99/8
6,412,202	B1		7/2002	Oswood		
D465,529	S	*	11/2002	Hummell	D20/40
6,553,697	B1		4/2003	Pichan		
D476,040	S	*	6/2003	LeKay	D20/44
D516,632	S	*	3/2006	Alves	D20/43
D527,426	S	*	8/2006	Mason	D20/43
D575,220	S	*	8/2008	Pockalny	D12/223
7,503,135	B2		3/2009	Chafin		
D658,233	S	*	4/2012	Byford	D20/43



(56)

References Cited

U.S. PATENT DOCUMENTS

D963,082 S * 9/2022 Dunahay D21/694
D963,083 S * 9/2022 Dunahay D21/694
D1,067,143 S * 3/2025 Wu D12/193
2004/0195483 A1 * 10/2004 Padiak E05F 1/1284
248/289.11
2007/0214693 A1 * 9/2007 Hillstrom G09F 15/0025
40/607.12

* cited by examiner

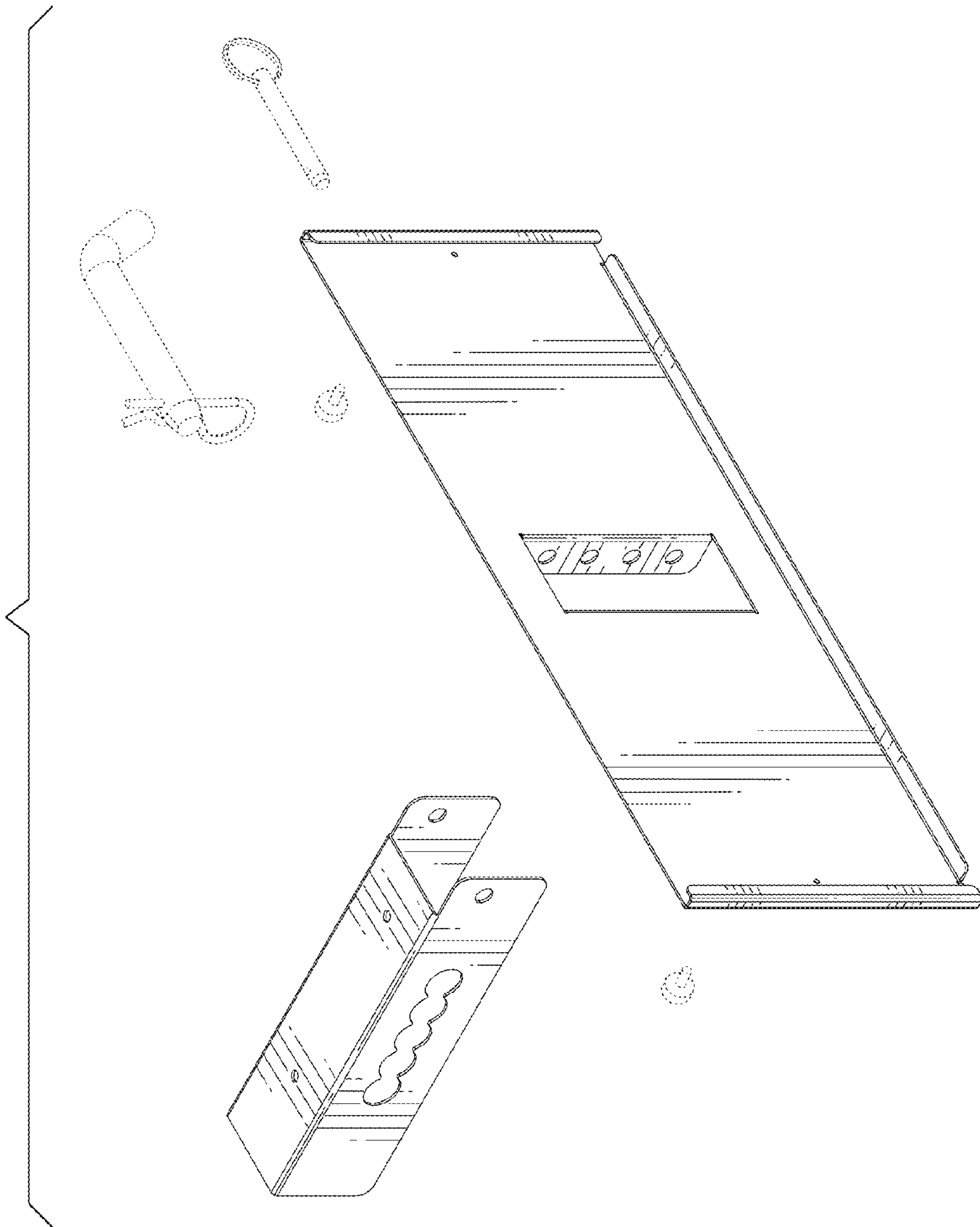


FIG. 1

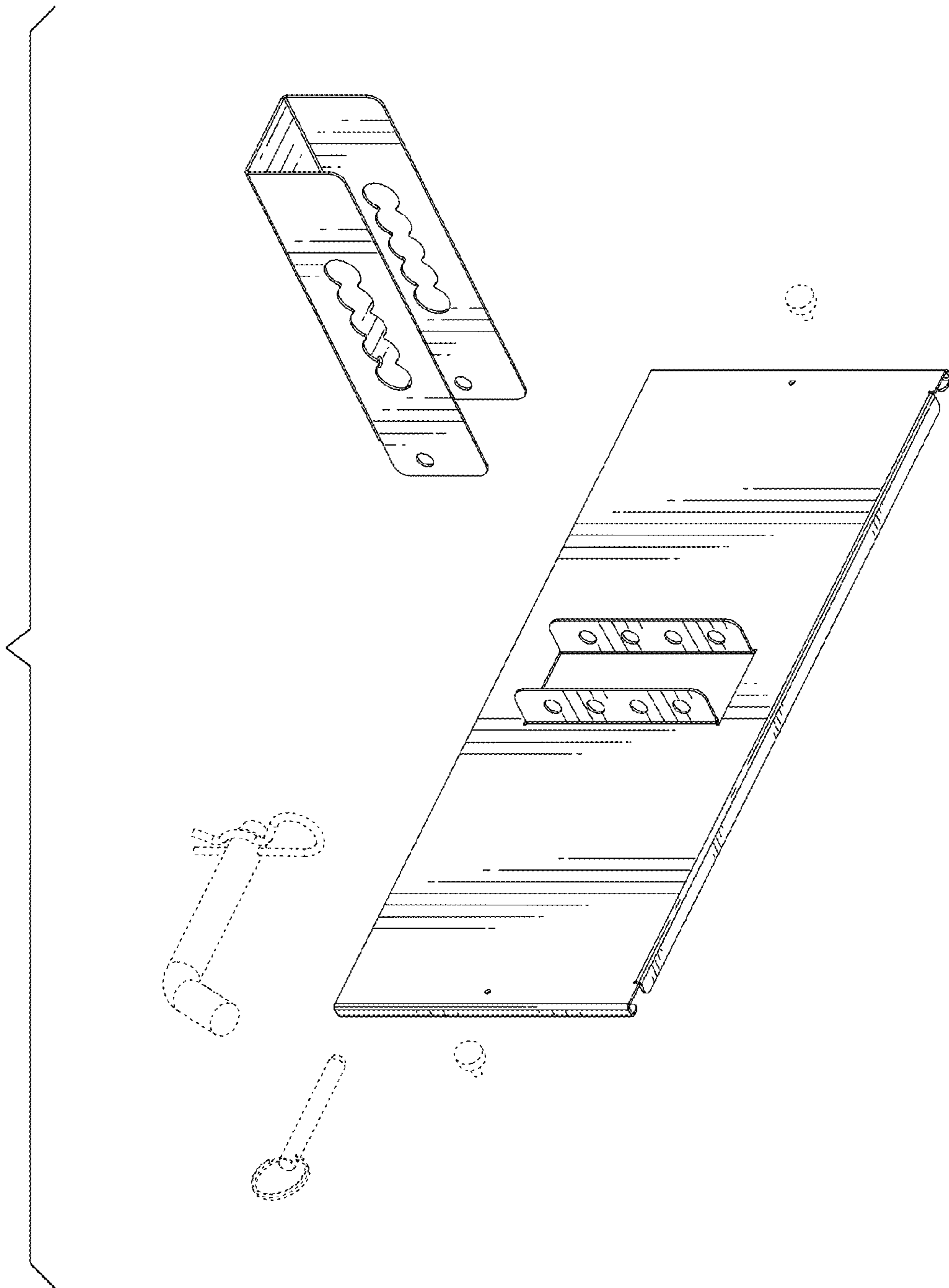


FIG. 2

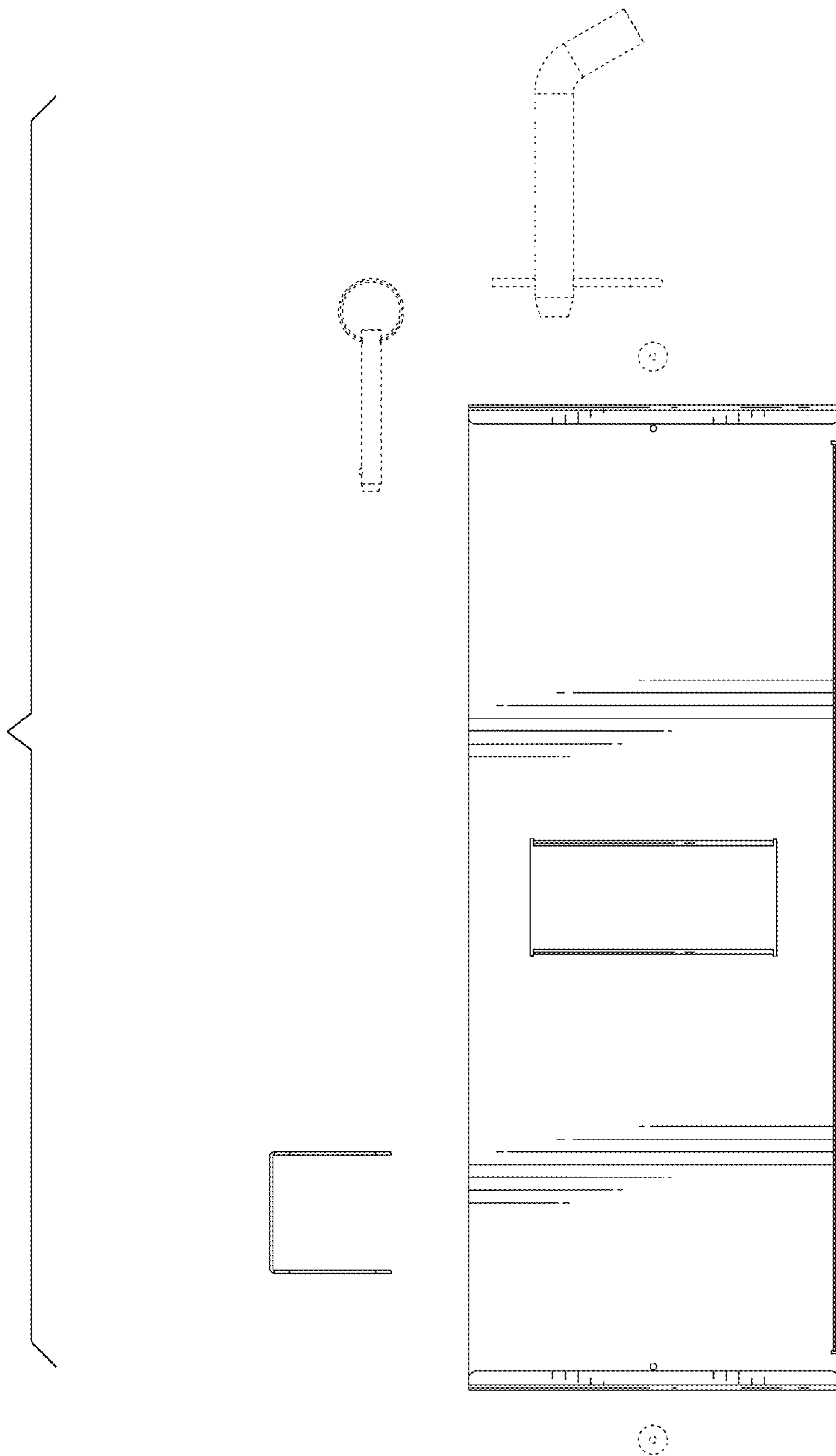


FIG. 3

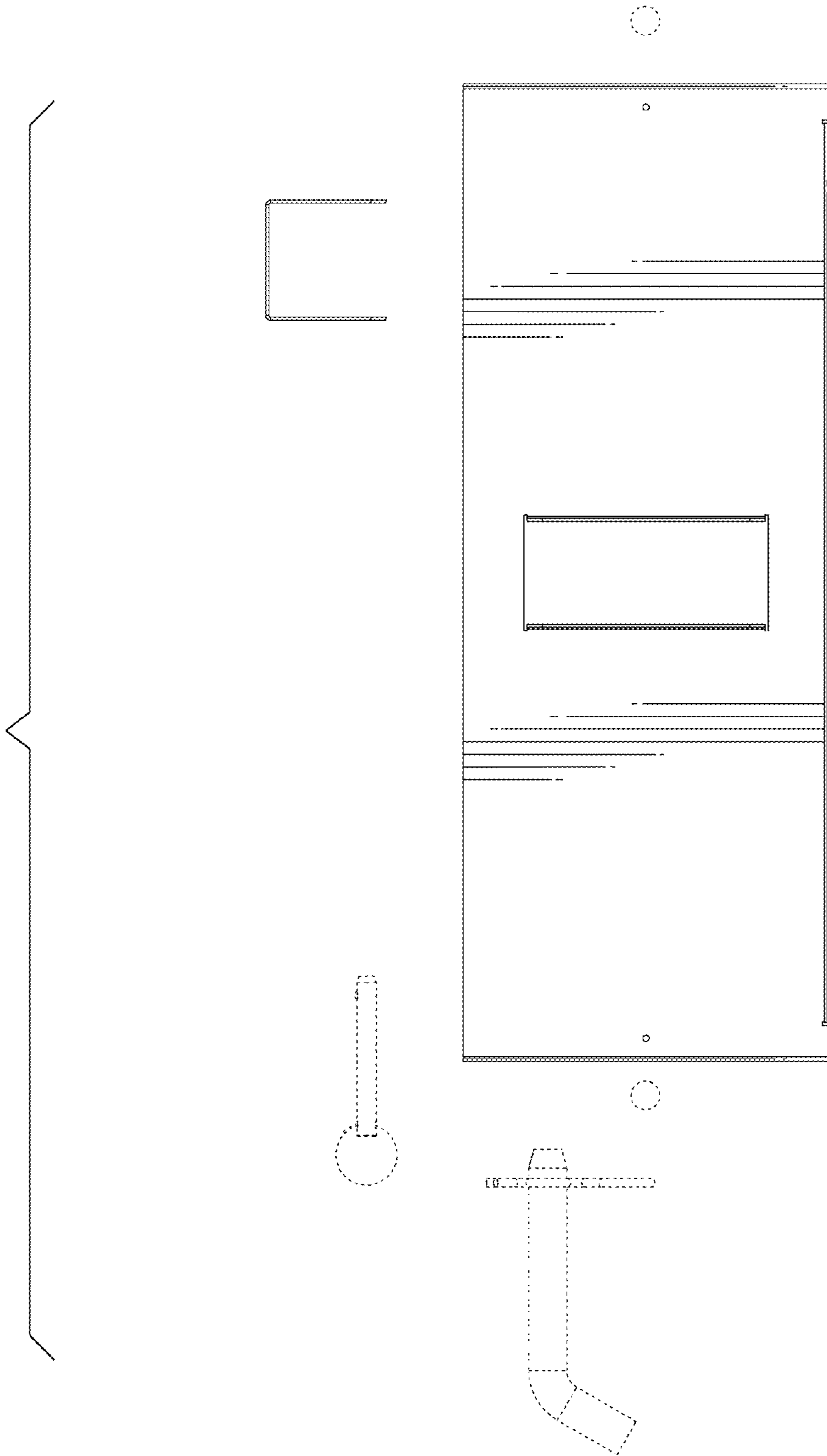


FIG. 4

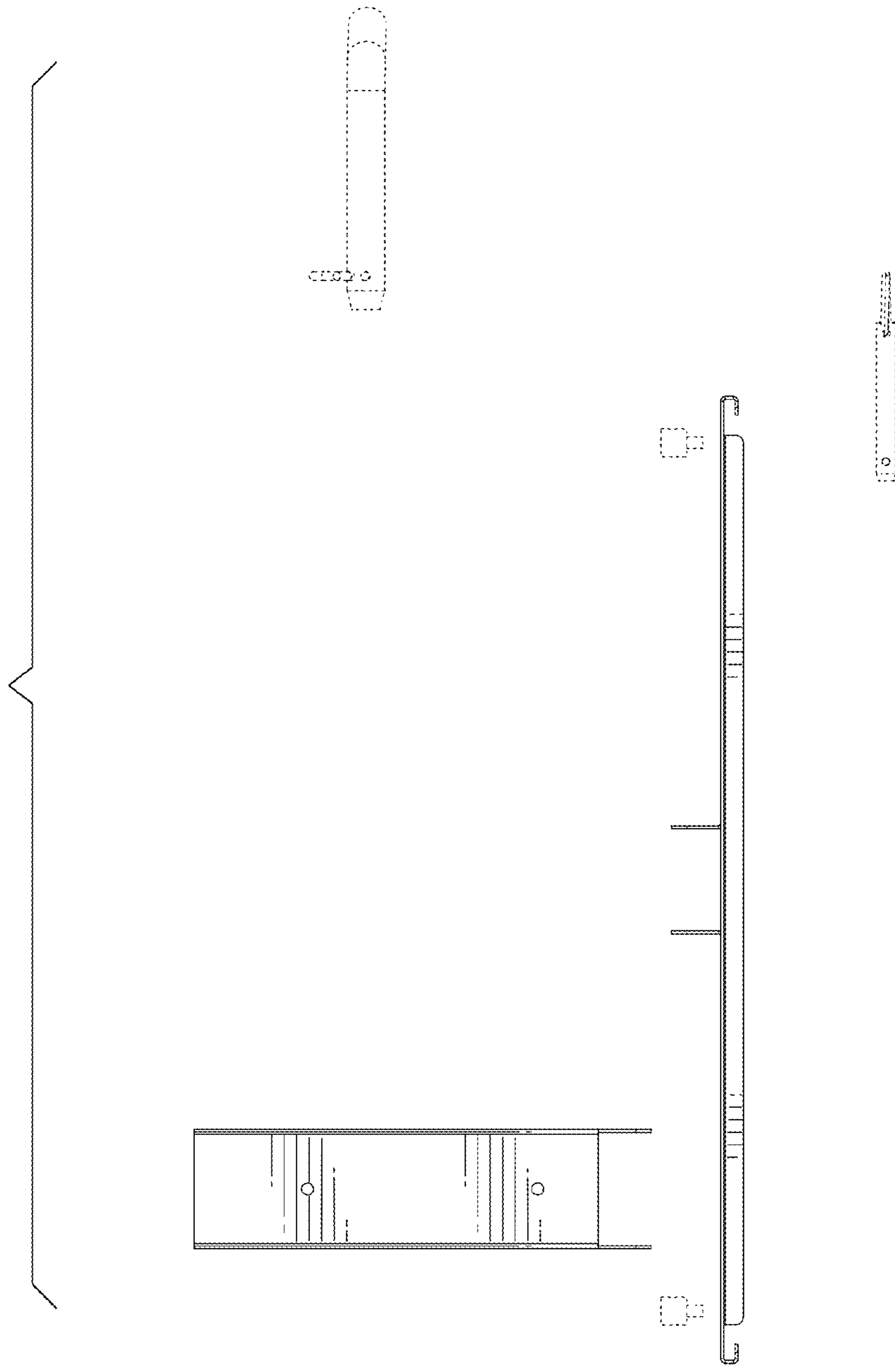


FIG. 5

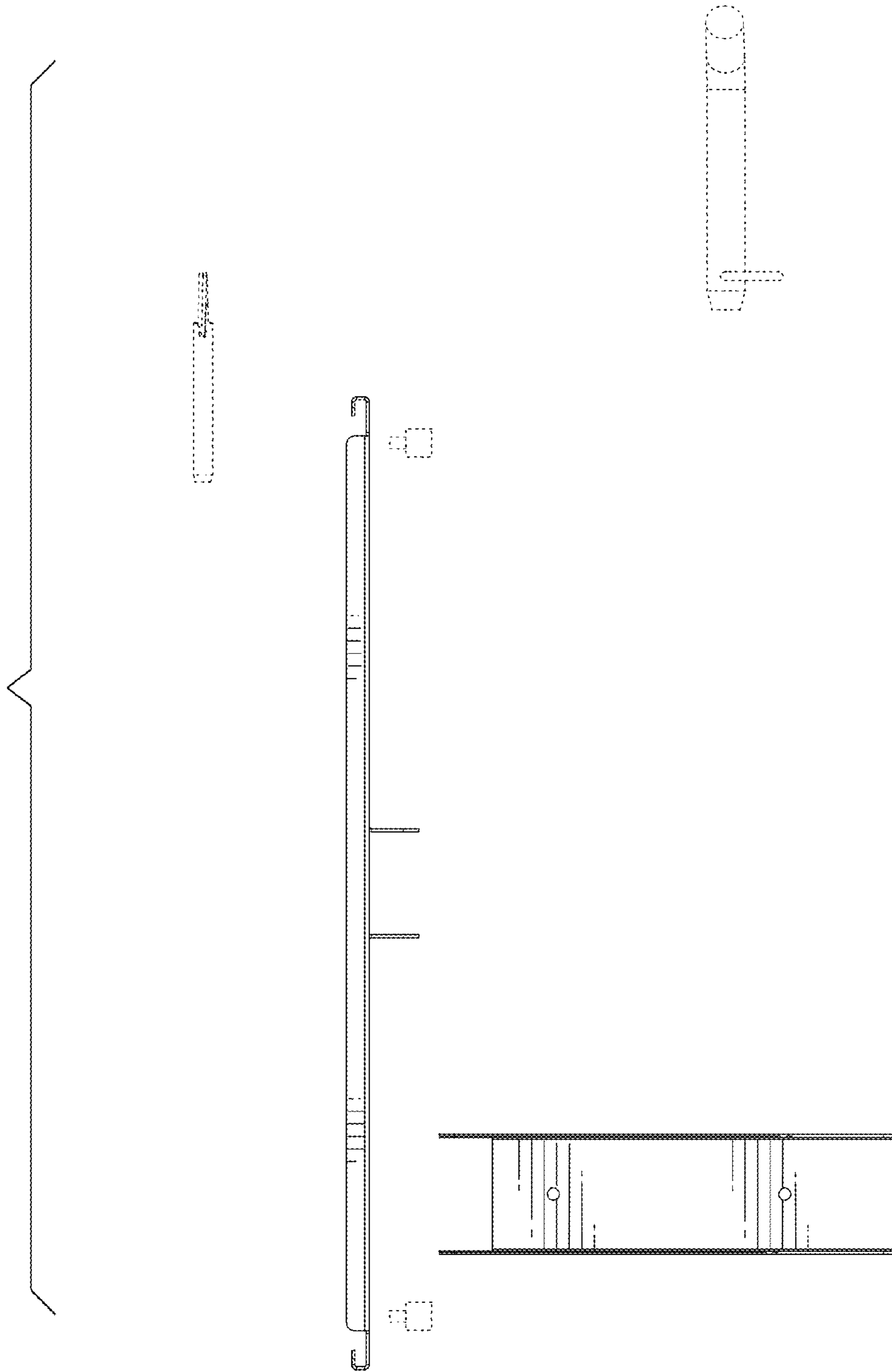


FIG. 6

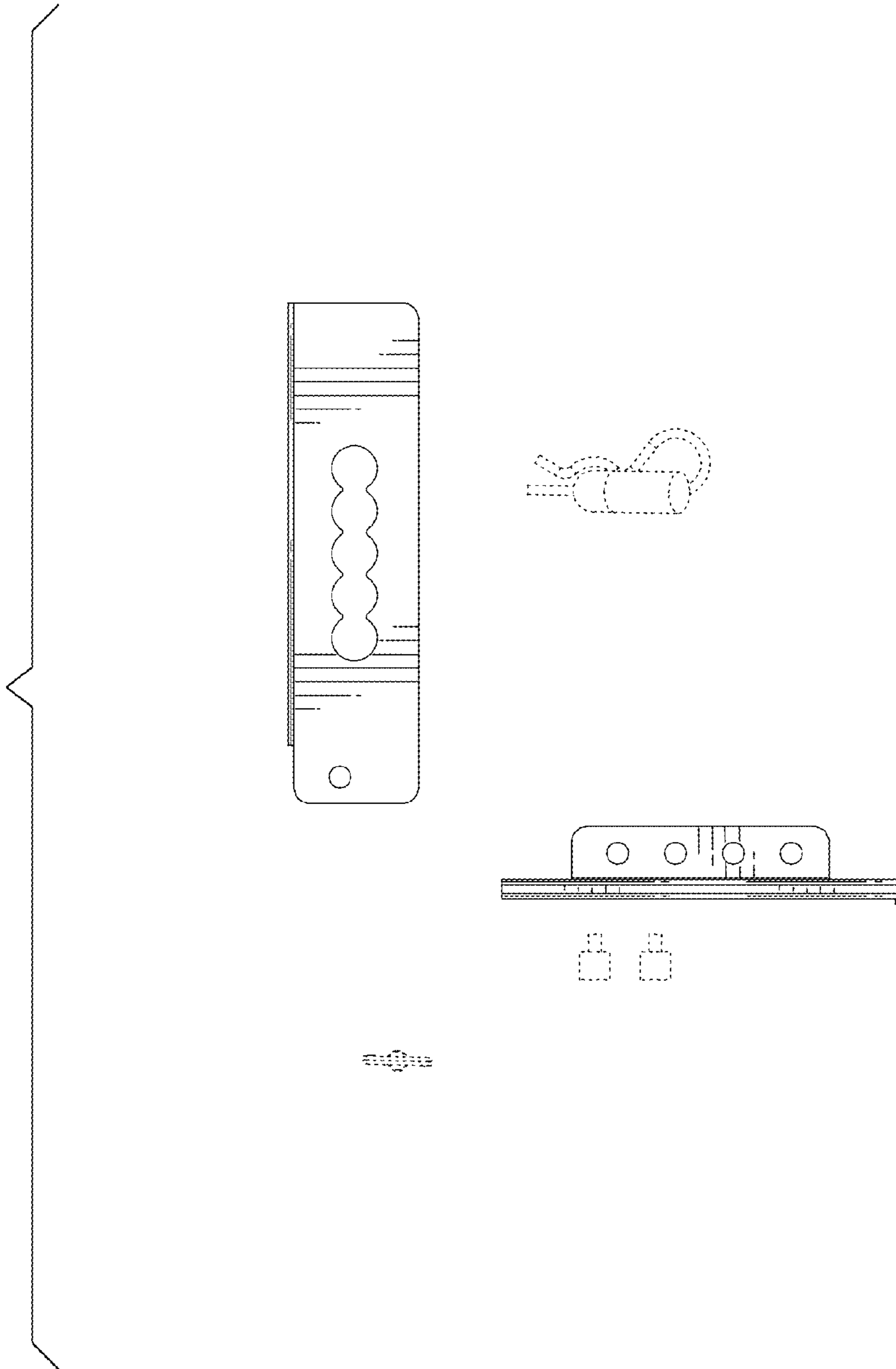


FIG. 7

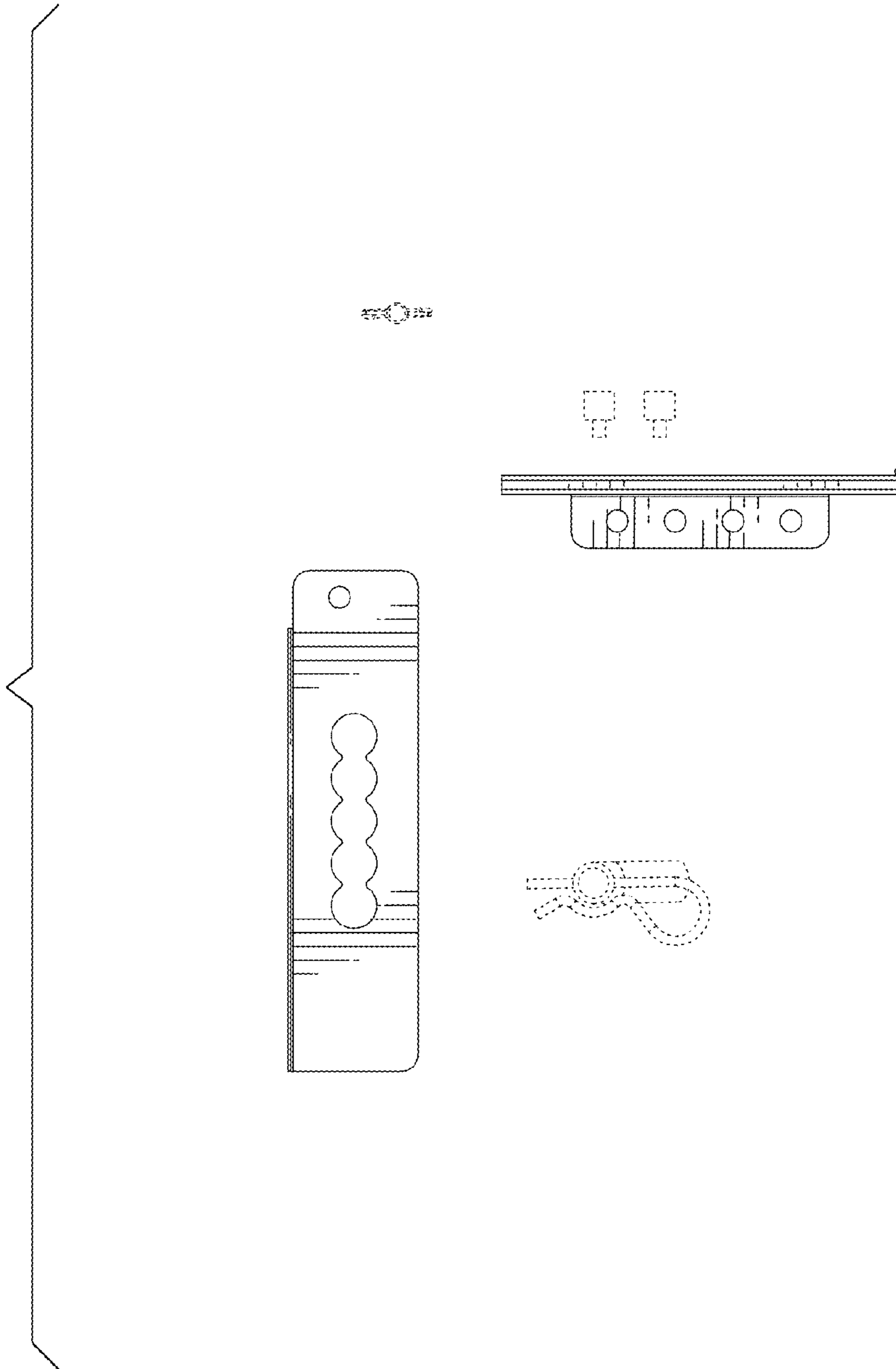


FIG. 8

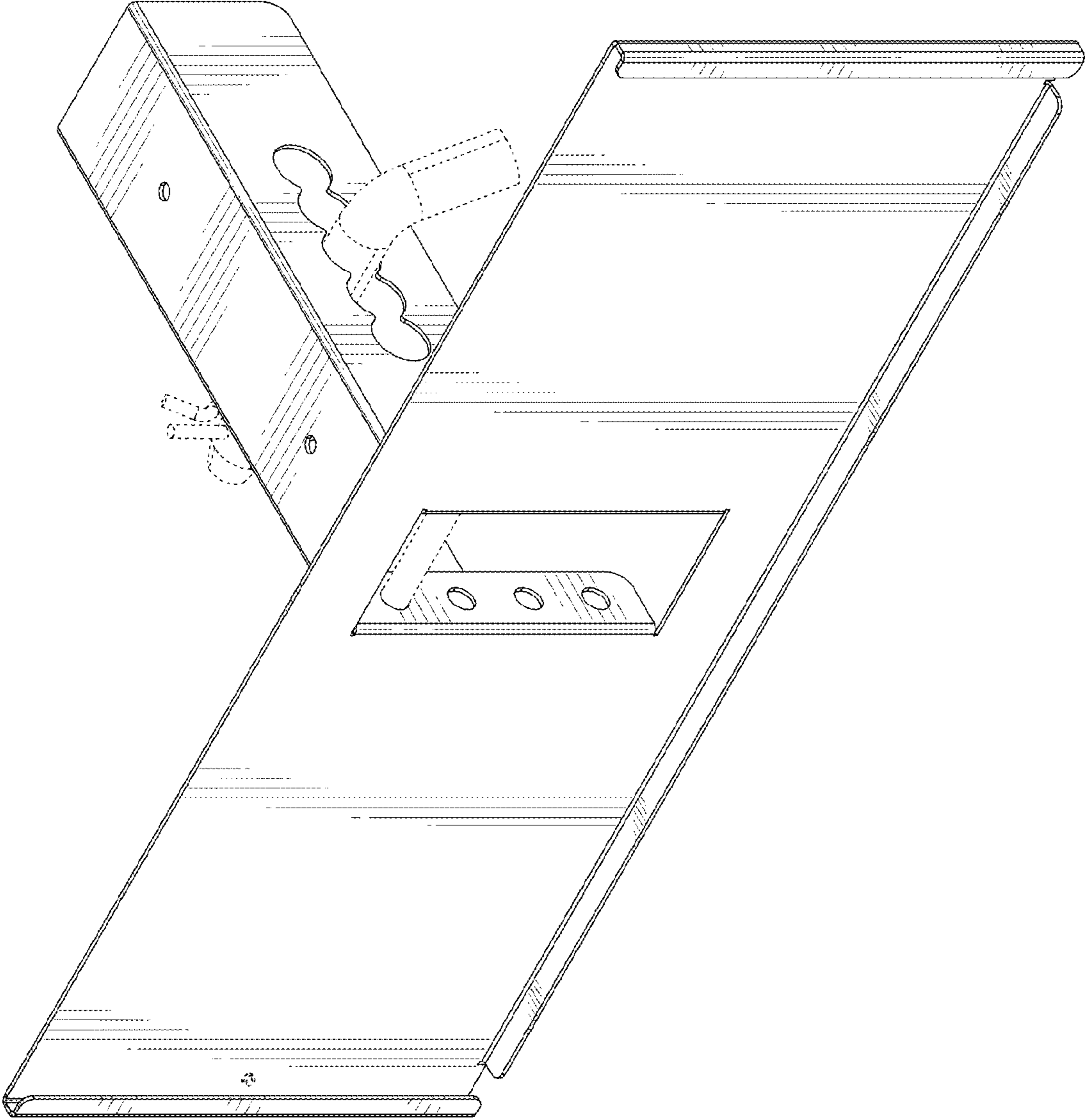


FIG. 9

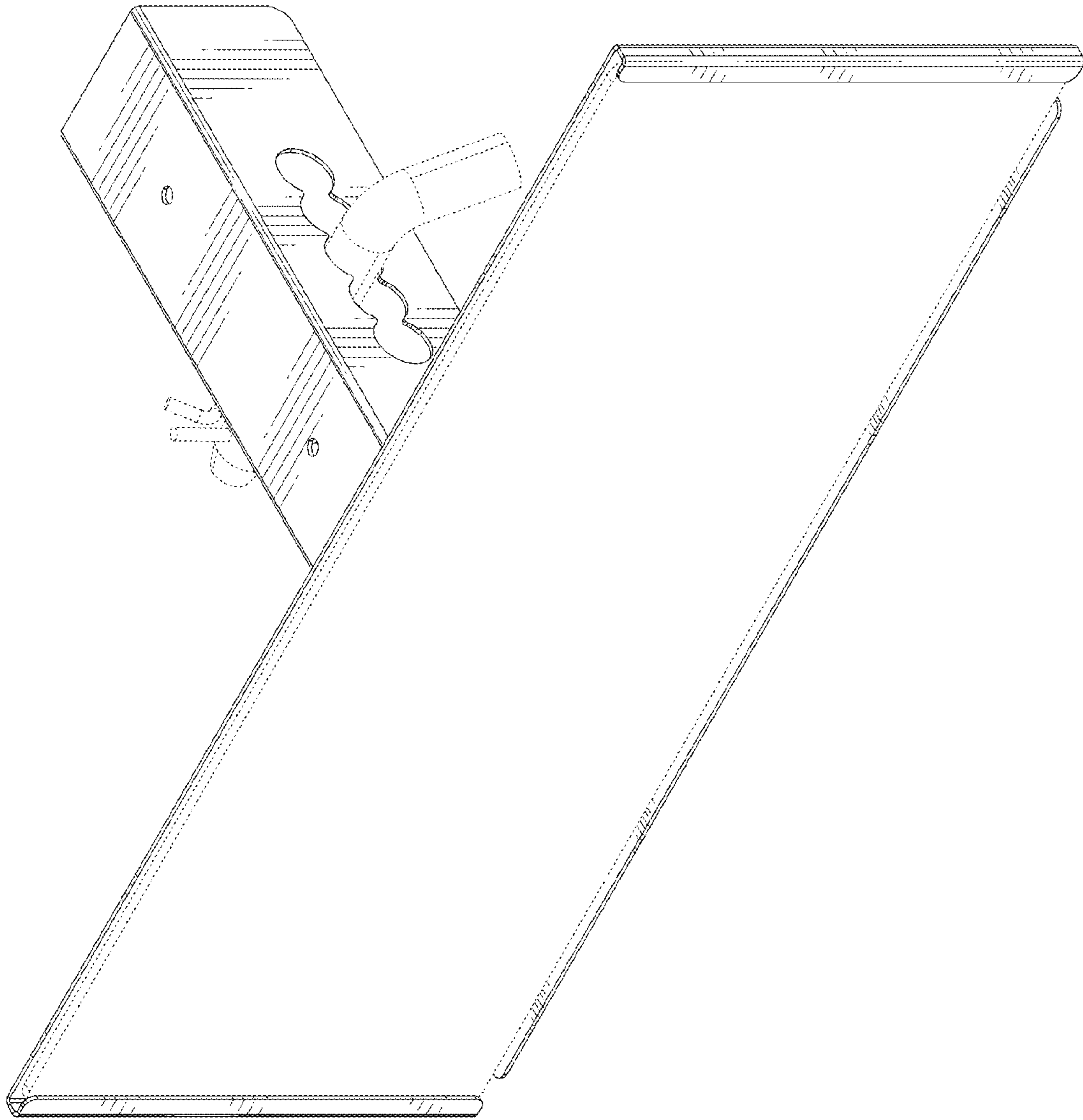


FIG. 10

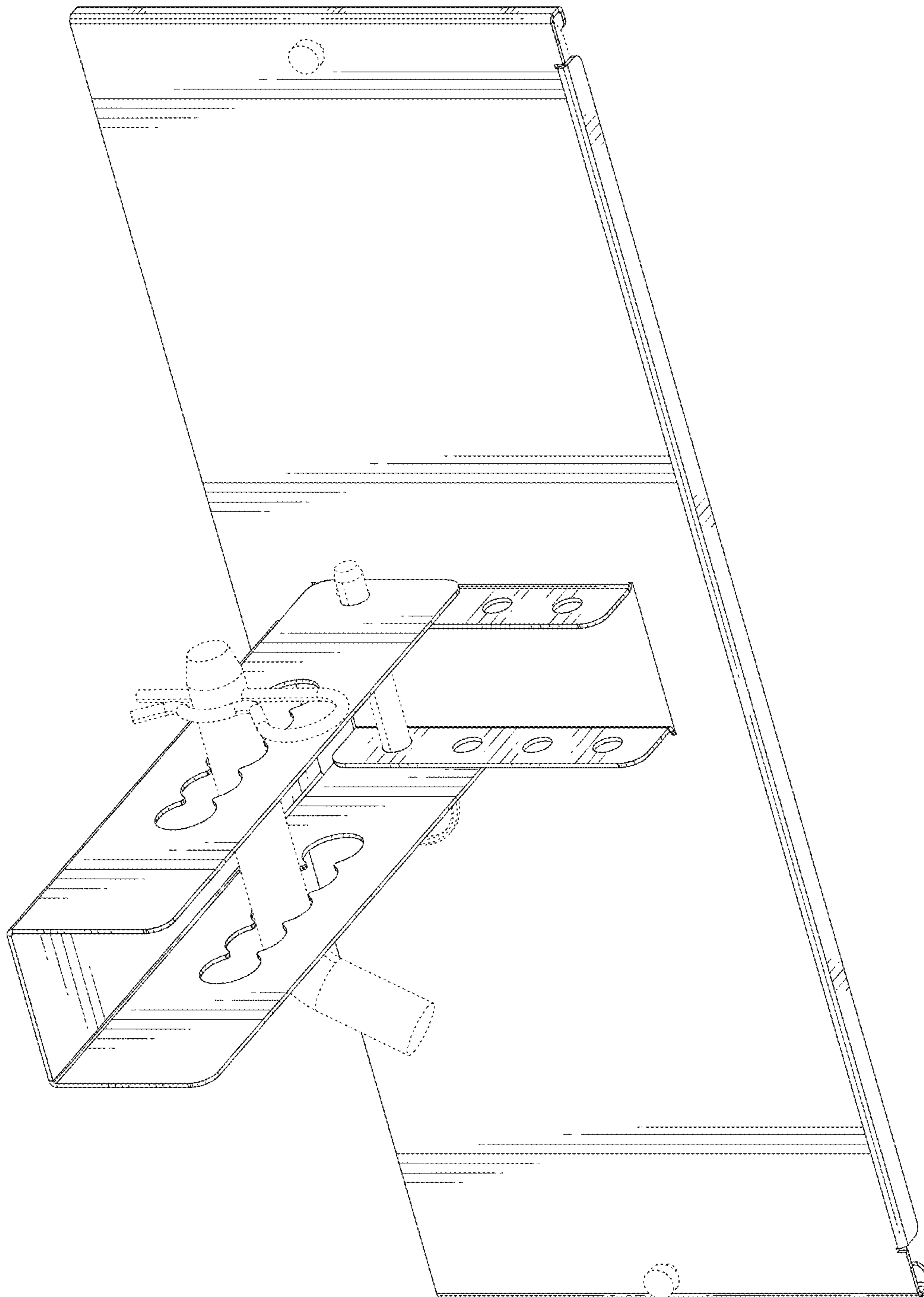


FIG. 11