



US0D1080758S

(12) **United States Design Patent**  
**Poteet et al.**

(10) **Patent No.: US D1,080,758 S**

(45) **Date of Patent: \*\* Jun. 24, 2025**

(54) **MODEL VEHICLE STEERING BELLCRANK**

FOREIGN PATENT DOCUMENTS

(71) Applicant: **TRAXXAS, L.P.**, McKinney, TX (US)

EM 008305460-0004 12/2020  
EM 008305460-0005 12/2020

(72) Inventors: **Kent Poteet**, Lucas, TX (US); **Otto Karl Allmendinger**, Rowlett, TX (US); **Adam Cole Ewing**, McKinney, TX (US); **Ross Martin**, Roanoke, TX (US); **Terry Soward**, Van Alstyne, TX (US)

(Continued)

(73) Assignee: **TRAXXAS, L.P.**, McKinney, TX (US)

OTHER PUBLICATIONS

(\*\*) Term: **15 Years**

Walmart Website, Hot Racing Bellcrank, Earliest Comment Date: Aug. 16, 2022[Website Visited Oct. 16, 2024]Available on the Internet URL <https://www.walmart.com/ip/514286383> (Year: 2022).\*

(Continued)

(21) Appl. No.: **29/886,325**

*Primary Examiner* — Michael C Stout

(22) Filed: **Mar. 7, 2023**

*Assistant Examiner* — James T Tyree

(51) **LOC (15) Cl.** ..... **21-01**

(74) *Attorney, Agent, or Firm* — Daryl R. Wright; Greg Carr

(52) **U.S. Cl.**

USPC ..... **D21/561**; D21/533; D21/483; D21/562

(58) **Field of Classification Search**

USPC ..... D21/561, 562, 563, 565, 495, 533

CPC ..... A63H 17/262; A63H 19/18; B60G 7/003

See application file for complete search history.

(57) **CLAIM**

The ornamental design for a model vehicle steering bellcrank as shown and described.

**DESCRIPTION**

(56) **References Cited**

U.S. PATENT DOCUMENTS

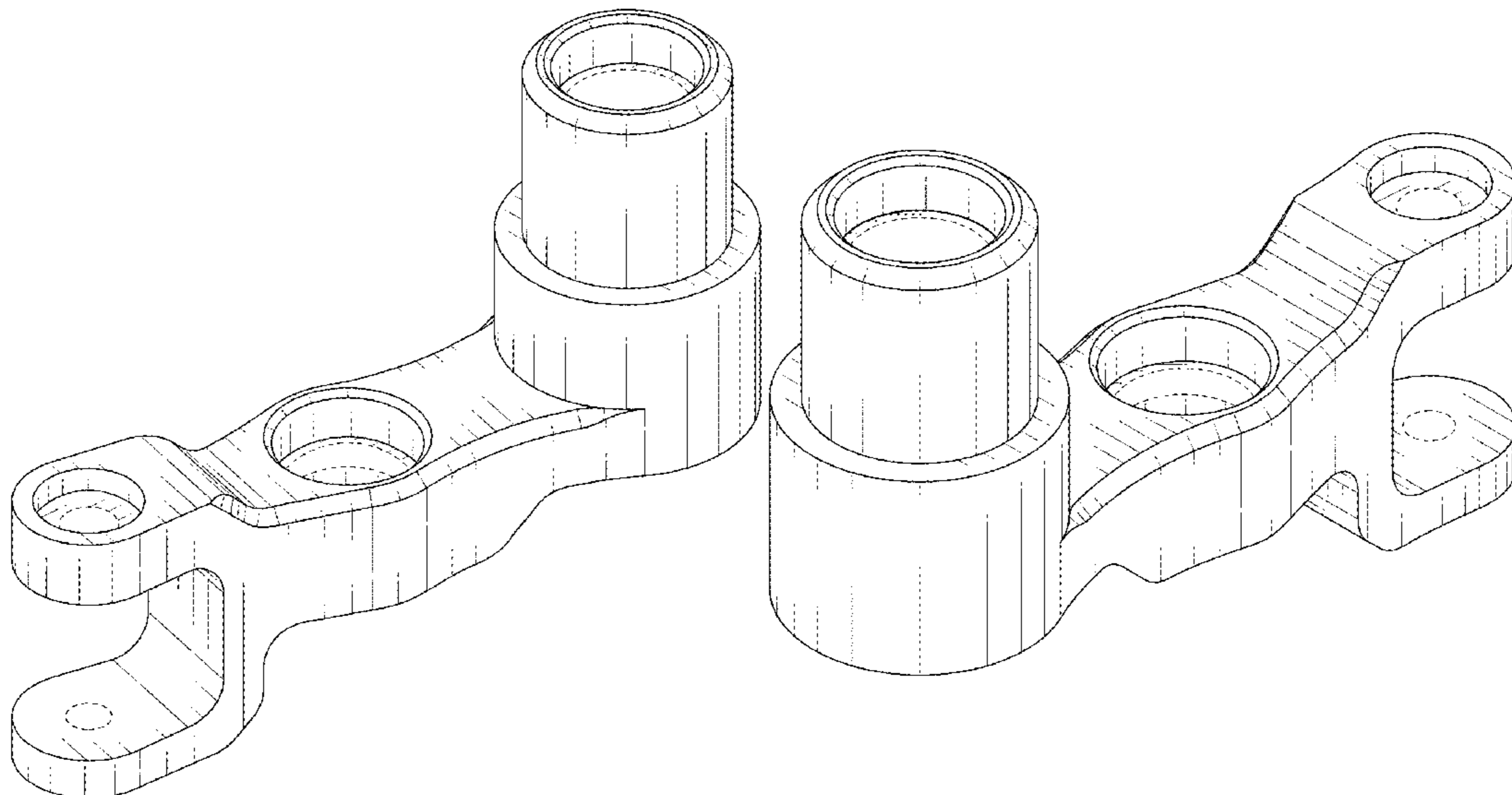
D42,406 S	4/1912	Trego	
D58,959 S	9/1921	Wendland	
D219,362 S	12/1970	Snyder	
3,829,117 A	8/1974	Park	
D250,465 S	12/1978	Morrison	
D300,913 S	5/1989	Kamaya	
D304,472 S *	11/1989	Poulsen	D21/561
D304,473 S *	11/1989	Poulsen	D21/561
D309,930 S	8/1990	Asaeda	
D317,336 S	6/1991	Tsuchiya	
5,131,701 A	7/1992	Stepniewski	
D332,978 S	2/1993	Tsuchiya	
D332,979 S	2/1993	Tsuchiya	
D348,911 S	7/1994	Herrick et al.	
5,338,247 A	8/1994	Miles	

(Continued)

FIG. 1 is an upper, right, front perspective view of a model vehicle steering bellcrank showing our new design; FIG. 2 is an upper, left, rear perspective view thereof; FIG. 3 is a lower, right, front perspective view thereof; FIG. 4 is a lower, left, rear perspective view thereof; FIG. 5 is a right side elevation view thereof; FIG. 6 is a left side elevation view thereof; FIG. 7 is a rear elevation view thereof; FIG. 8 is a front elevation view thereof; FIG. 9 is an upper plan view thereof; and, FIG. 10 is a lower plan view of the model vehicle steering bellcrank.

In the drawings, the broken lines and the unshaded areas within them illustrate portions of the model vehicle steering bellcrank that form no part of the claimed design.

**1 Claim, 7 Drawing Sheets**



(56)

References Cited

U.S. PATENT DOCUMENTS

D375,037 S 10/1996 Toenders  
 D403,023 S 12/1998 Araki  
 D411,263 S 6/1999 Korsholm  
 D412,478 S 8/1999 Chen  
 6,189,436 B1 2/2001 Brooks  
 6,357,768 B1 3/2002 Chan et al.  
 D475,001 S 5/2003 Roll  
 D477,268 S 7/2003 Baynes  
 D493,848 S 8/2004 Dunst  
 6,793,227 B1 9/2004 Weisgerber et al.  
 D503,658 S 4/2005 Lu  
 D513,223 S 12/2005 Saito et al.  
 D521,572 S 5/2006 Yuen  
 D521,899 S 5/2006 Walden  
 D523,775 S 6/2006 Walden  
 D523,776 S 6/2006 Walden  
 D524,880 S 7/2006 Yuen  
 7,143,861 B2 12/2006 Chu  
 D534,593 S 1/2007 Yuen  
 D538,861 S 3/2007 Takahashi  
 D545,246 S 6/2007 Kroeker  
 D545,721 S 7/2007 Hacker et al.  
 D549,787 S 8/2007 Chen  
 D550,311 S 9/2007 Chen  
 7,281,600 B2 10/2007 Chernoff et al.  
 D556,648 S 12/2007 Nelson et al.  
 D564,410 S 3/2008 Lepage  
 D567,886 S 4/2008 Lampert et al.  
 D570,735 S 6/2008 Ogihara  
 D577,083 S 9/2008 Nakayama  
 D586,695 S 2/2009 Burns  
 D586,696 S 2/2009 Burns  
 D593,616 S 6/2009 Asai  
 D597,151 S 7/2009 Ishikawa  
 D639,207 S 6/2011 Danisi  
 D642,090 S 7/2011 Karacabey et al.  
 D642,091 S 7/2011 Karacabey et al.  
 D642,960 S 8/2011 Berrier  
 D647,002 S 10/2011 Mullen  
 D648,250 S 11/2011 Nosworthy  
 D651,133 S 12/2011 Liebl  
 D651,947 S 1/2012 Hsu  
 D655,236 S 3/2012 Sanschagrin  
 D655,668 S 3/2012 Levorato et al.  
 D681,542 S 5/2013 Oliver  
 D690,372 S 9/2013 Fujiwara  
 D691,523 S 10/2013 Waugh et al.  
 D722,542 S 2/2015 Ikeda  
 D727,802 S 4/2015 Sung et al.  
 D758,281 S 6/2016 Galloway  
 D761,713 S 7/2016 Hensley  
 D766,157 S 9/2016 Reynolds et al.  
 D778,784 S 2/2017 Hirooka  
 D780,643 S 3/2017 Hare  
 D781,207 S 3/2017 Johnson  
 D783,502 S 4/2017 Hensley  
 D783,503 S 4/2017 Hensley  
 D783,726 S 4/2017 Williams et al.  
 D802,685 S 11/2017 Barajas et al.  
 D810,148 S 2/2018 Loew et al.  
 9,885,314 B2 2/2018 Lumbab  
 D816,009 S 4/2018 Reynolds et al.  
 D818,415 S 5/2018 Haws  
 D820,072 S 6/2018 Choi  
 D820,736 S 6/2018 Vaarsi  
 D822,125 S \* 7/2018 Ewing ..... D21/561  
 D822,126 S 7/2018 Allmendinger et al.  
 D826,340 S \* 8/2018 Ewing ..... D21/561  
 D826,831 S 8/2018 Eck et al.  
 D829,831 S 10/2018 Redlin et al.  
 D836,501 S 12/2018 Mori  
 D844,070 S 3/2019 Christensen et al.  
 D851,183 S 6/2019 Wood et al.  
 D863,171 S 10/2019 Harriton et al.  
 D867,475 S 11/2019 Ewing et al.

D867,476 S 11/2019 Wood et al.  
 D875,848 S 2/2020 Wood et al.  
 D880,279 S \* 4/2020 Marchesan ..... D8/354  
 D900,250 S \* 10/2020 Ewing ..... D21/561  
 D902,088 S 11/2020 Nakamura et al.  
 D923,115 S \* 6/2021 Ewing ..... D21/562  
 D923,116 S \* 6/2021 Ewing ..... D21/562  
 11,058,275 B2 7/2021 Hopkins et al.  
 D935,532 S 11/2021 Ewing  
 D940,254 S 1/2022 Lin  
 D947,290 S \* 3/2022 Christensen ..... D12/159  
 D947,959 S \* 4/2022 Christensen ..... D12/159  
 D951,150 S \* 5/2022 Ewing ..... D12/159  
 D952,051 S 5/2022 Xu  
 D952,052 S 5/2022 Xu  
 D956,886 S 7/2022 Xing et al.  
 D964,482 S 9/2022 Ewing et al.  
 D966,952 S 10/2022 Boaz et al.  
 D967,288 S 10/2022 Li  
 D975,204 S 1/2023 Xu  
 D992,049 S 7/2023 Yang et al.  
 D996,528 S \* 8/2023 Christensen ..... D21/562  
 D1,014,658 S \* 2/2024 Christensen ..... D12/159  
 D1,058,702 S 1/2025 Poteet et al.  
 2007/0256659 A1 11/2007 Anderson et al.  
 2013/0117960 A1 5/2013 Lee  
 2014/0227941 A1 8/2014 Suzuki  
 2018/0070789 A1 3/2018 LaBarbera et al.  
 2021/0283517 A1 9/2021 Rydwell  
 2023/0219010 A1 7/2023 Christensen et al.

FOREIGN PATENT DOCUMENTS

GB 6307608 \* 9/2023  
 IN 336346-001 \* 2/2023  
 JP D1124643 \* 10/2001

OTHER PUBLICATIONS

Traxxas Website, Traxxas Bellcrank, No Available Date[Website Visited Oct. 16, 2024]Available on the Internet URL <https://traxxas.com/products/parts/7746-RED> (Year: 2024).\*

Amazon Website, RCLIONS Bellcrank, No Available Date[Website Visited Oct. 16, 2024]Available on the Internet URL <https://www.amazon.com/dp/B0D7Q1K6F9> (Year: 2024).\*

Traxxas Sledge Aluminum Chassis (Blue), as shown in [www.hobbytown.com](http://www.hobbytown.com), Jun. 30, 2022 (Year: 2022).

Traxxas Sledge 6S Green Brushless 1:8 Auto RC Truggy 4WD (4WD) Ready to Run (RTR) 2.4GHz, as shown in [www.amazon.com](http://www.amazon.com), Aug. 18, 2022, ASIN B0B59PV1C9 (Year: 2022).

Axial SCX10 II 2000 Jeep Cherokee 1/10th Scale Electric 4WD-RTR; <http://www.axialracing.com/products/ax90047>; Aug. 2016.

Axial SCX10 Deadbolt 1/10th Scale Electric 4WD-RTR; <http://www.axialracing.com/products/ax90044>; Aug. 2016.

Tibus Off-Road Engineering; Land Rover Defender; <http://www.tibus-offroad.com/en/products/bolt-on-portals/land-rover/>; Aug. 2016.

HPI Racing; HPI Venture FJ Cruiser; <http://www.hpiracing.com/en/article/view/2016012702>; Aug. 2016.

Tamiya 58647 1:10 RC M-07 Con. WB225/239 Remote Control Car Vehicle Model, Sep. 15, 2017, Amazon.co.uk, Sep. 22, 2021, URL: <https://www.amazon.co.uk/Tamiya-M-07-Concept-Chassis-58647/dp/B06ZY297CC> (Year: 2017).

Tamiya 57986 1:10 RC TT-02 Chassis First Try On-Road Vehicle, Aug. 19, 2016, Amazon.co.uk, Sep. 22, 2021, URL: <https://www.amazon.co.uk/Tamiya-57986-10-RC-Chassis-First/dp/B01JLF7GB0> (Year: 2016).

Newrice Remote Control Car Building Blocks Kit, 1:12 Scale MOC Off-Road Vehicle, May 25, 2021, Amazon.co.uk, Sep. 22, 2021, URL: <https://www.amazon.co.uk/NEWRICE-Remote-Control-Building-Blocks/dp/B0912YKHM4> (Year: 2021).

New Heavy-Duty Chassis Brace, available on [traxxas.com](http://traxxas.com), published Aug. 26, 2020, [site visited Jan. 24, 2022], URL: <https://traxxas.com/news/new-chassis-brace> (Year: 2020).

(56)

**References Cited**

## OTHER PUBLICATIONS

Traxxas Heavy-Duty Chassis Brace, available on rccaraction.com, updated Aug. 27, 2020, [site visited Jan. 24, 2022], URL: <https://www.rccaraction.com/traxxas-heavy-duty-chassis-brace-for-the-slash-4x4-rustler-4x4> (Year: 2020).

HD Chassis Brace, available on web.archive.org, captured Sep. 27, 2020, [site visited Jan. 24, 2022], URL: <https://web.archive.org/web/20200927005210/https://traxxas.com/products/parts/6730X?t=overview> (Year: 2020).

RC Update—Traxxas Heavy-Duty Chassis Brace, available on Youtube.com, date posted Sep. 15, 2020, [site visited Jan. 24, 2022], URL: <https://www.youtube.com/watch?v=jDGkrXluKyY> (Year: 2020).

Traxxas Rustler/Slash 4x4 LCG Chassis, available on hobbytown.com, product added to catalog Feb. 17, 2021, [site visited Jan. 24, 2022], URL: <https://www.hobbytown.com/traxxas-rustler-slash-4x4-lcg-chassis-brace-kit-green-tra6730g/p1254464> (Year: 2021).

Traxxas 6730G—Chassis Brace Kit, available on amazon.com, oldest customer review Apr. 12, 2021, [site visited Jan. 24, 2022], URL: <https://www.amazon.com/Traxxas-6730G-Chassis-Brace-Aluminum/dp/B08P6V5M9B/> (Year: 2021).

Aluminum Center Brace Bar & Mount, available on amazon.com, [site visited Jan. 24, 2022], URL: <https://www.amazon.com/Aluminum-Center-Brace-Traxxas-90076-4/dp/B08P4TJ73J> (Year: 2022).

Cusco Front Power Brace, available on tf-works.com, [site visited Jan. 24, 2022], URL: <https://www.tf-works.com/cusco-front-power-brace-for-2013-scion-frs-subaru-brz/> (Year: 2022).

Traxxas Slash 4x4 (LCG) Chassis Brace, available on ebay.com, last updated Mar. 3, 2021, [site visited Jan. 24, 2022], URL: <https://www.ebay.com/itm/392047539576> (Year: 2021).

Cusco Body Reinforcement Parts for Toyota GR Yaris, available on easycars.jp, [site visited Jan. 24, 2022], URL: <https://easycars.jp/product/cusco-bodye-for-toyota-gr-yaris/> (Year: 2022).

TBR Aluminum T2T Tower to Tower, available on tboneracing.net, oldest customer review Oct. 2, 2019, [site visited Jan. 24, 2022], URL: <https://tboneracing.net/products/10109-tbr-aluminum-t2t-tower-to-tower-brace-arrma-kraton-talion-6s-blx> (Year: 2019).

Chassis Brace Kit Blue, available on amazon.com, oldest customer review Dec. 5, 2020, [site visited Jan. 24, 2022], URL: <https://www.amazon.com/Traxxas-Chassis-Brace-KIT-Blue/dp/B08LCM122P/> (Year: 2020).

\* cited by examiner

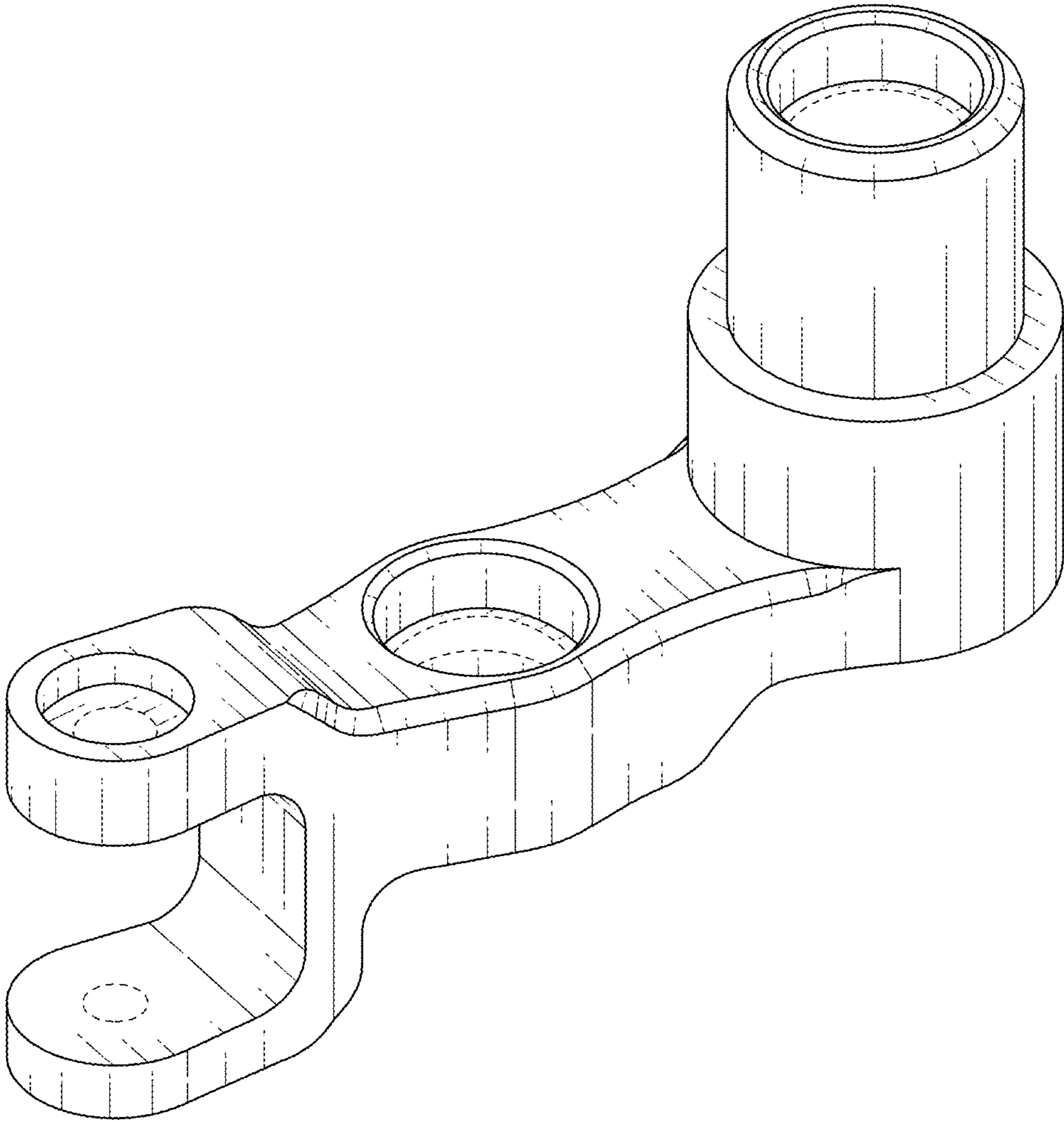


FIG. 1

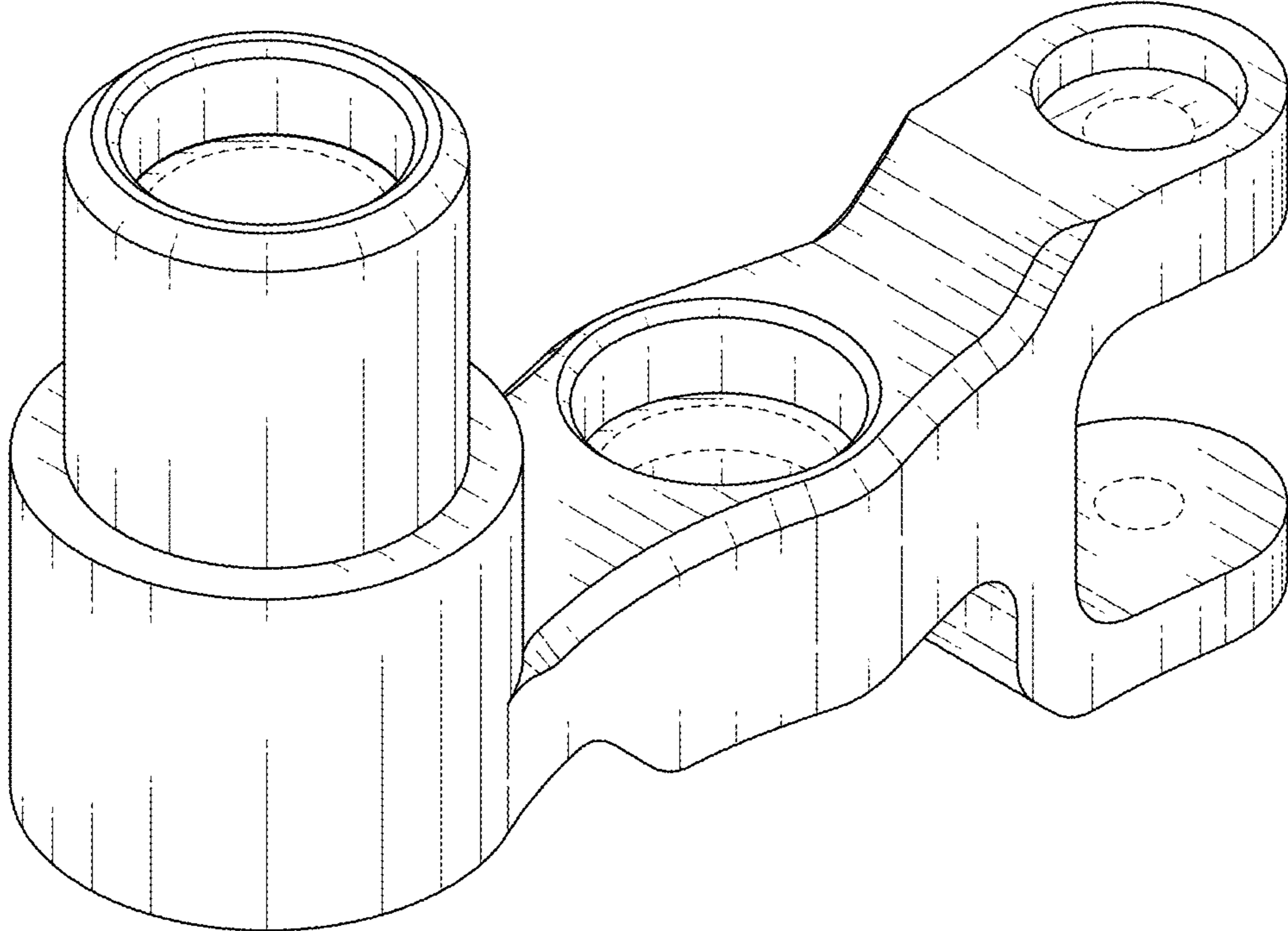


FIG. 2

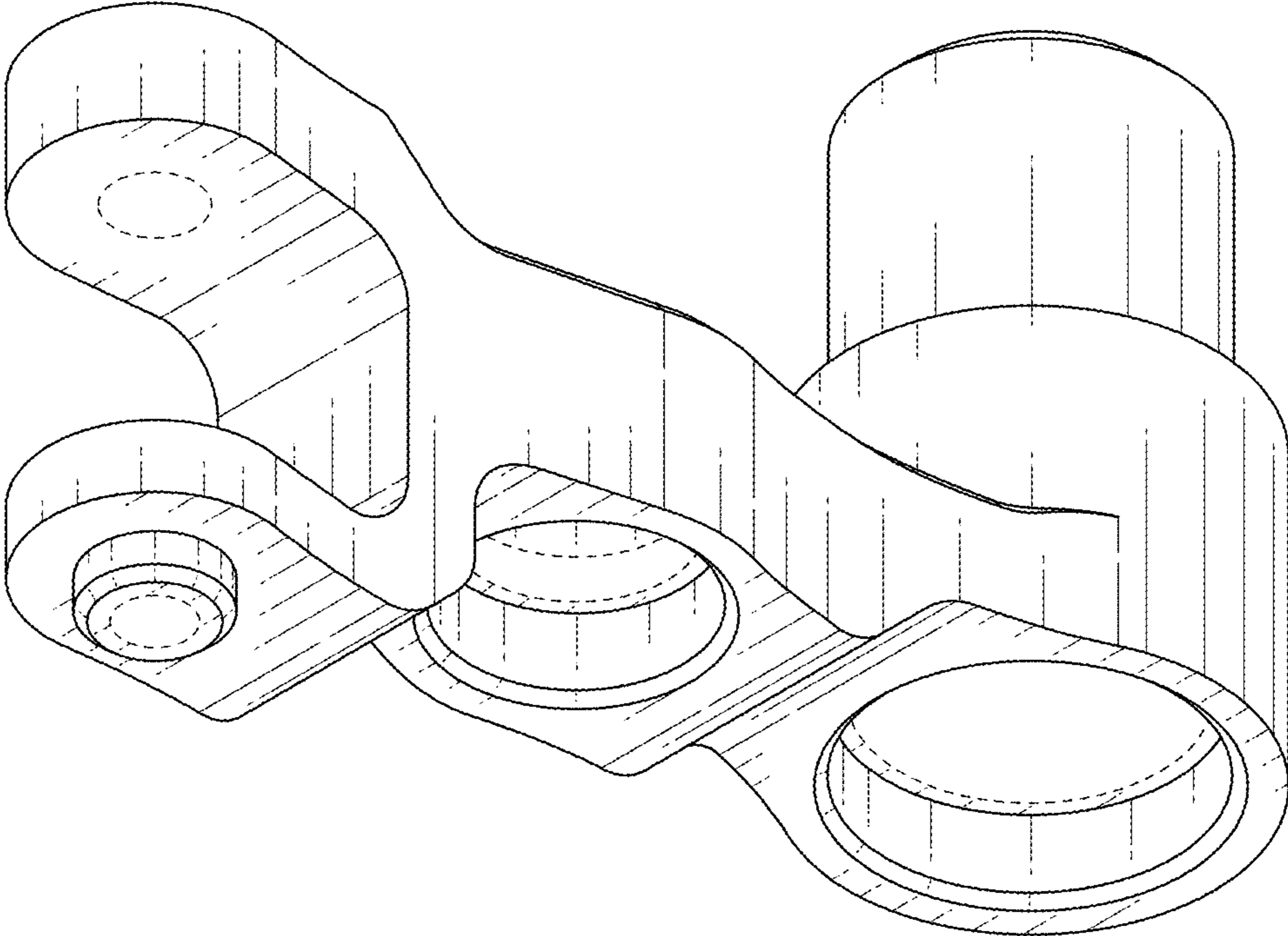


FIG. 3

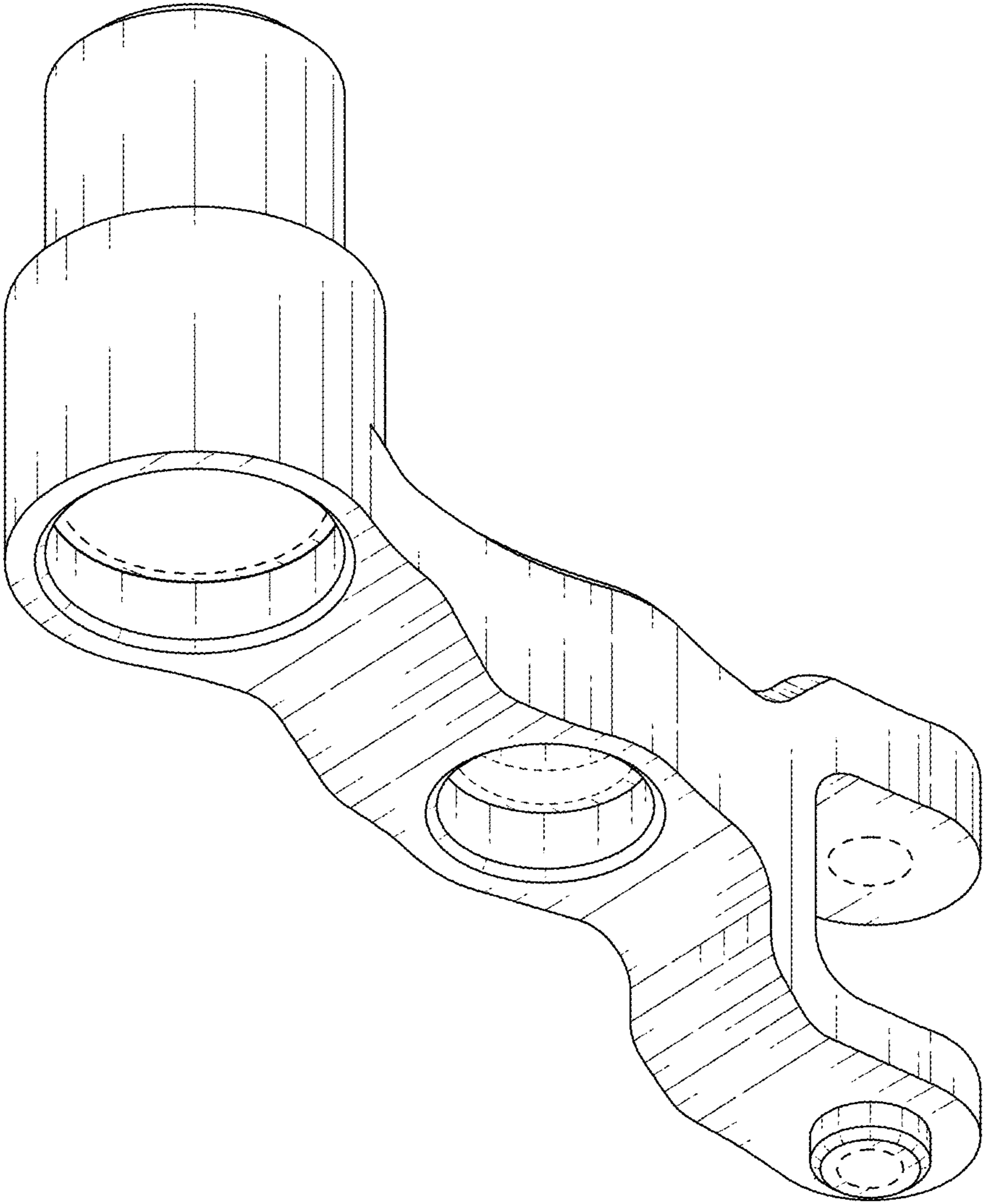


FIG. 4

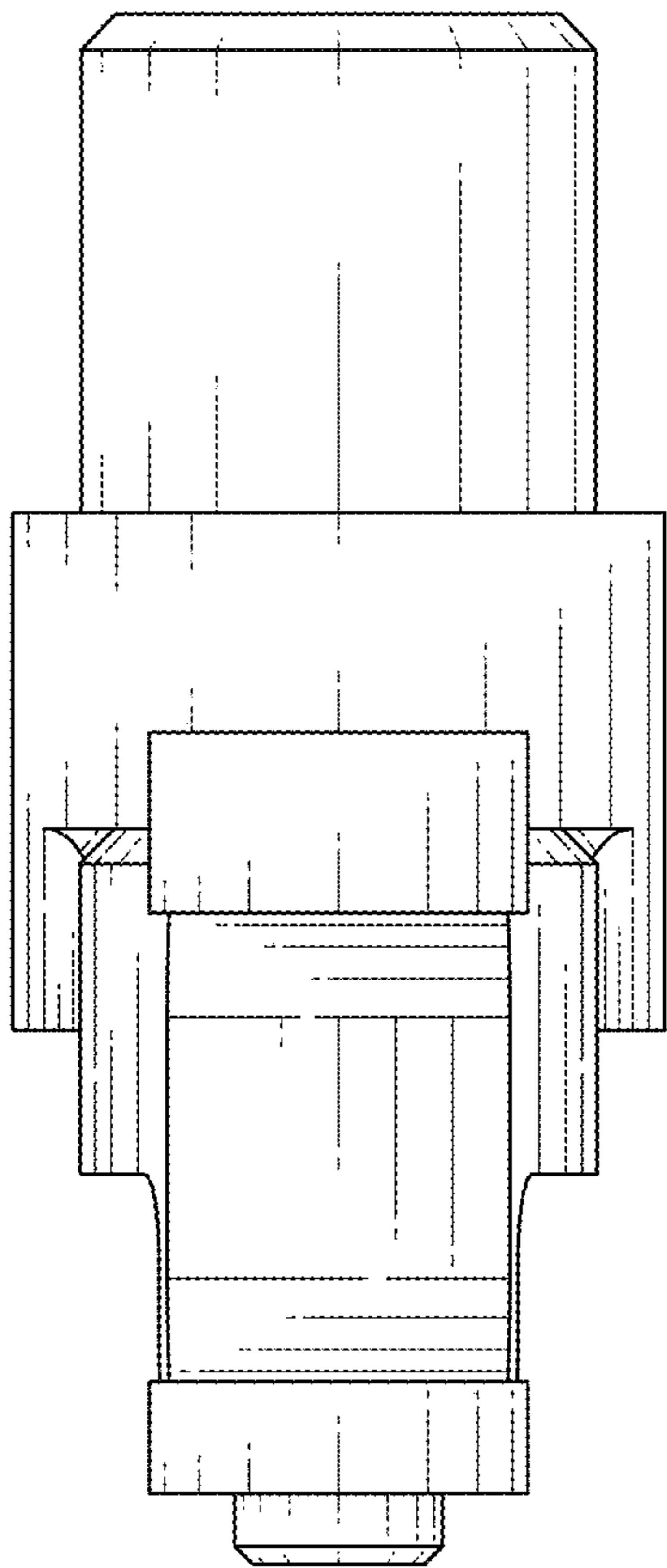


FIG. 5

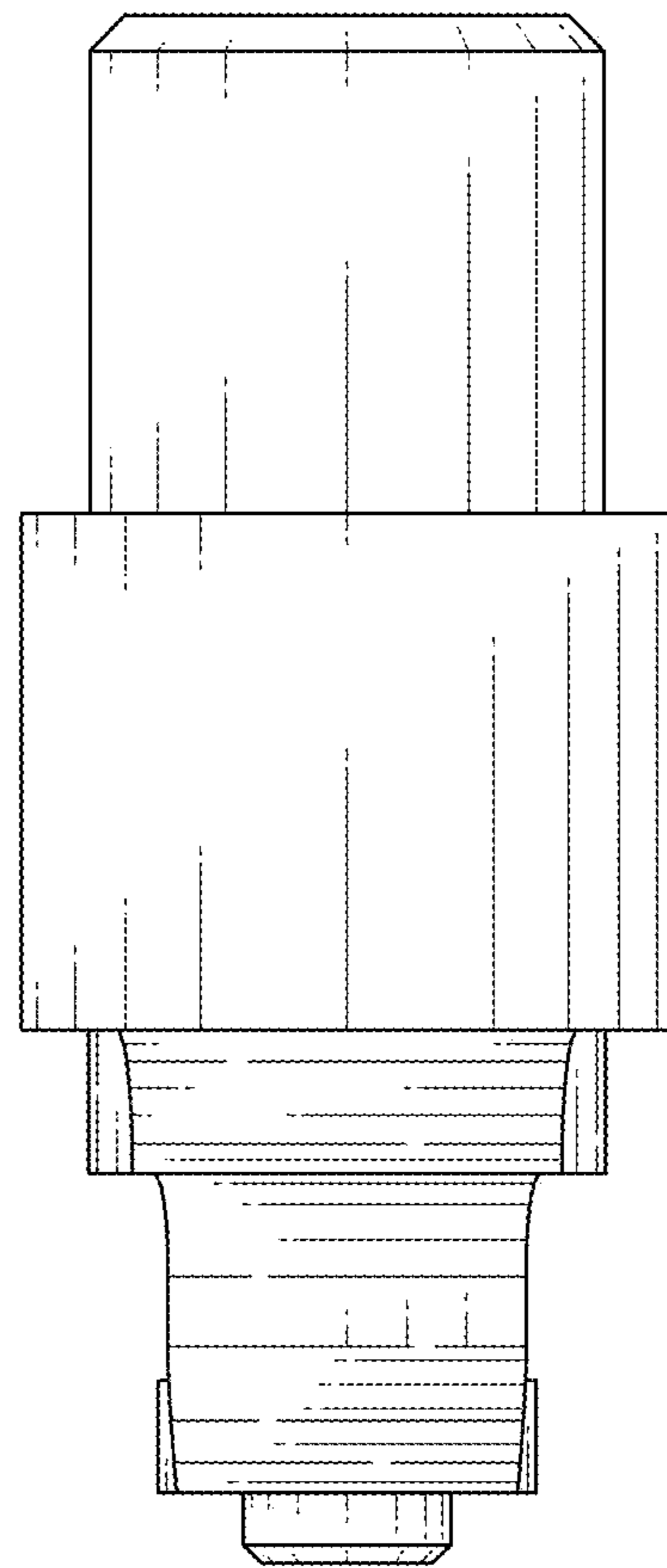


FIG. 6

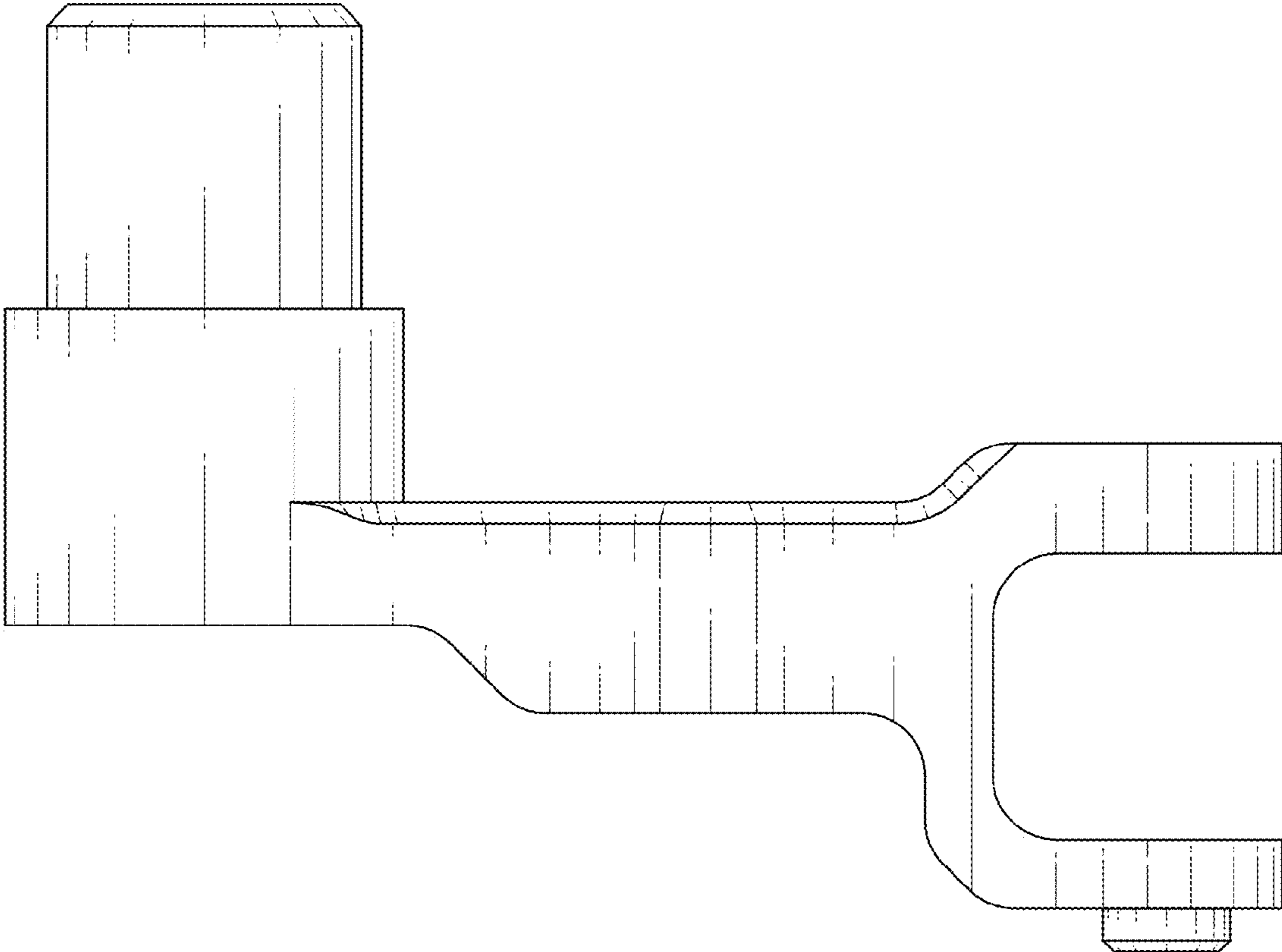


FIG. 7

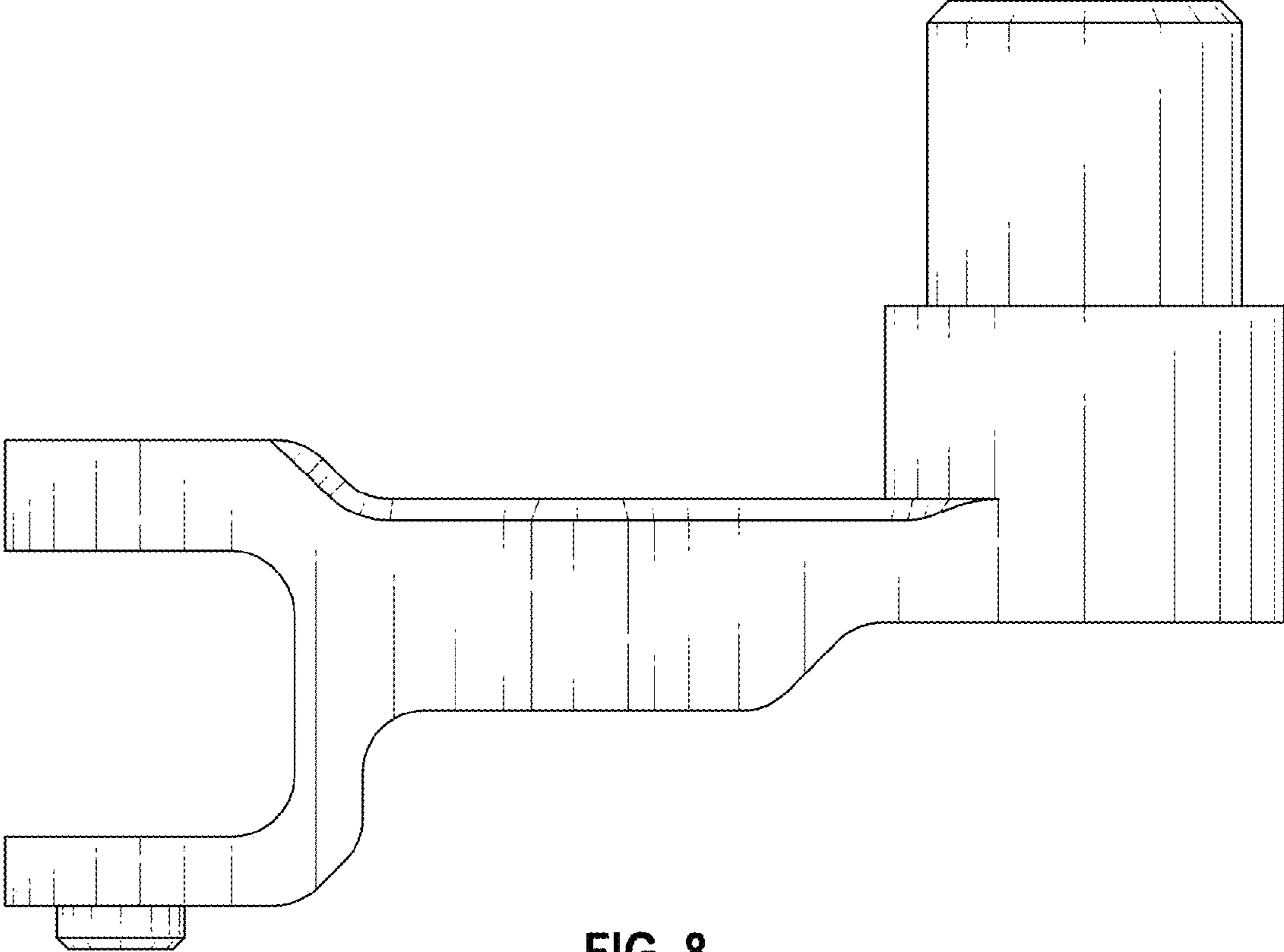


FIG. 8

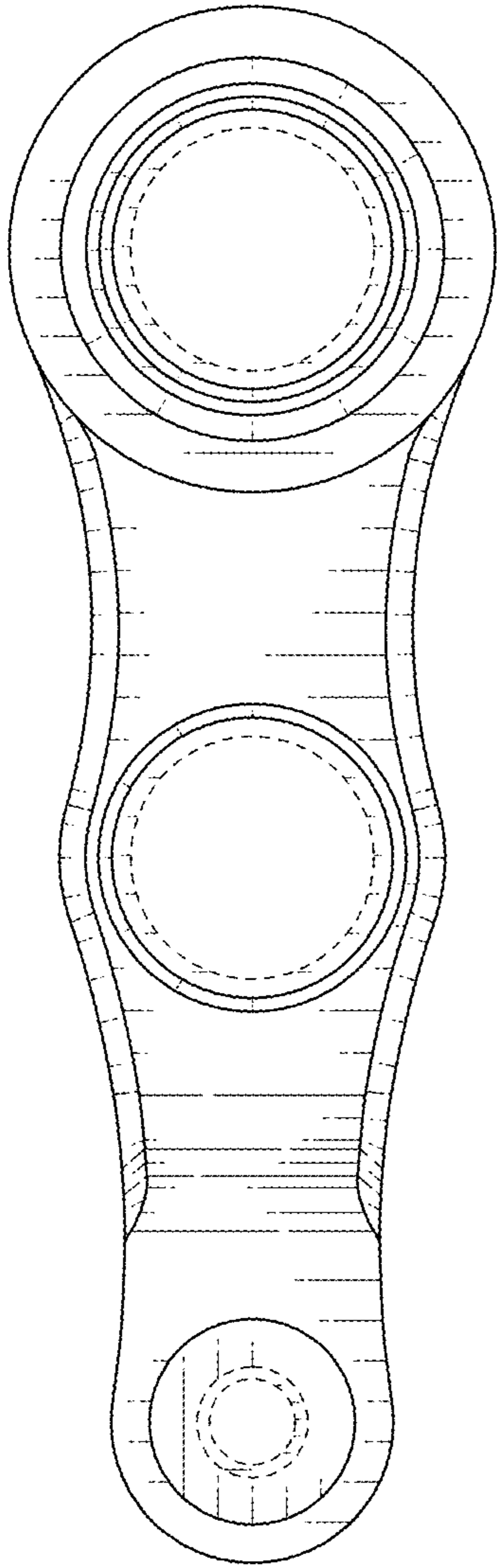


FIG. 9

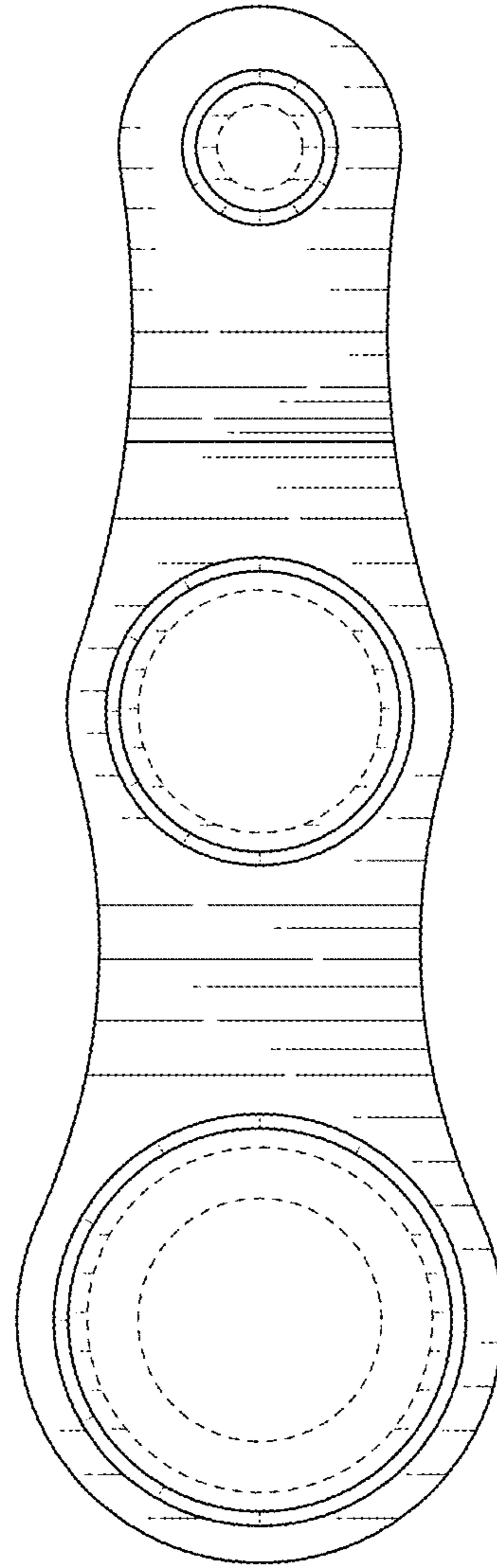


FIG. 10