



US0D1080756S

(12) **United States Design Patent**
Ewing et al.

(10) **Patent No.: US D1,080,756 S**
(45) **Date of Patent: ** Jun. 24, 2025**

(54) **MODEL VEHICLE BUMPER**

FOREIGN PATENT DOCUMENTS

(71) Applicant: **TRAXXAS, L.P.**, McKinney, TX (US)

CN 303934576 11/2016
CN 304466696 1/2018

(72) Inventors: **Adam Cole Ewing**, McKinney, TX (US); **Otto Karl Allmendinger**, Rowlett, TX (US); **Kent Poteet**, Lucas, TX (US); **Jaime Felix Barajas**, Dallas, TX (US); **Ross Martin**, Roanoke, TX (US); **Trent Collins**, McKinney, TX (US); **Caleb Hix**, McKinney, TX (US)

(Continued)

OTHER PUBLICATIONS

Traxxas Website, Traxxas Front Bumper, No Available Date[Website Visited Apr. 25, 2025]Available on the Internet URL <https://traxxas.com/products/parts/9735A> (Year: 2025).*

(Continued)

(73) Assignee: **TRAXXAS, L.P.**, McKinney, TX (US)

Primary Examiner — Michael C Stout

(**) Term: **15 Years**

Assistant Examiner — James T Tyree

(21) Appl. No.: **29/852,471**

(74) *Attorney, Agent, or Firm* — Daryl R. Wright; Greg Carr

(22) Filed: **Sep. 7, 2022**

(51) **LOC (15) Cl.** **21-01**

(52) **U.S. Cl.**

USPC **D21/561**; D21/533; D21/483

(58) **Field of Classification Search**

USPC D21/561, 533, 562, 565, 424, 595, 495, D21/489, 491; D12/159

CPC A63H 17/262; A63H 18/08

See application file for complete search history.

(57) **CLAIM**

The ornamental design for a model vehicle bumper as shown and described.

DESCRIPTION

FIG. 1 is an upper, right, rear perspective view of a model vehicle bumper showing our new design; FIG. 2 is a rear elevation view thereof; FIG. 3 is a front elevation view thereof; FIG. 4 is a left side elevation view thereof; FIG. 5 is a right side elevation view thereof; FIG. 6 is an upper plan view thereof; FIG. 7 is a lower plan view thereof; FIG. 8 is an upper, left, front perspective view thereof; and, FIG. 9 is a lower, left, front perspective view of the model vehicle bumper.

In the drawings, the broken lines illustrate portions of the model vehicle bumper that form no part of the claimed design.

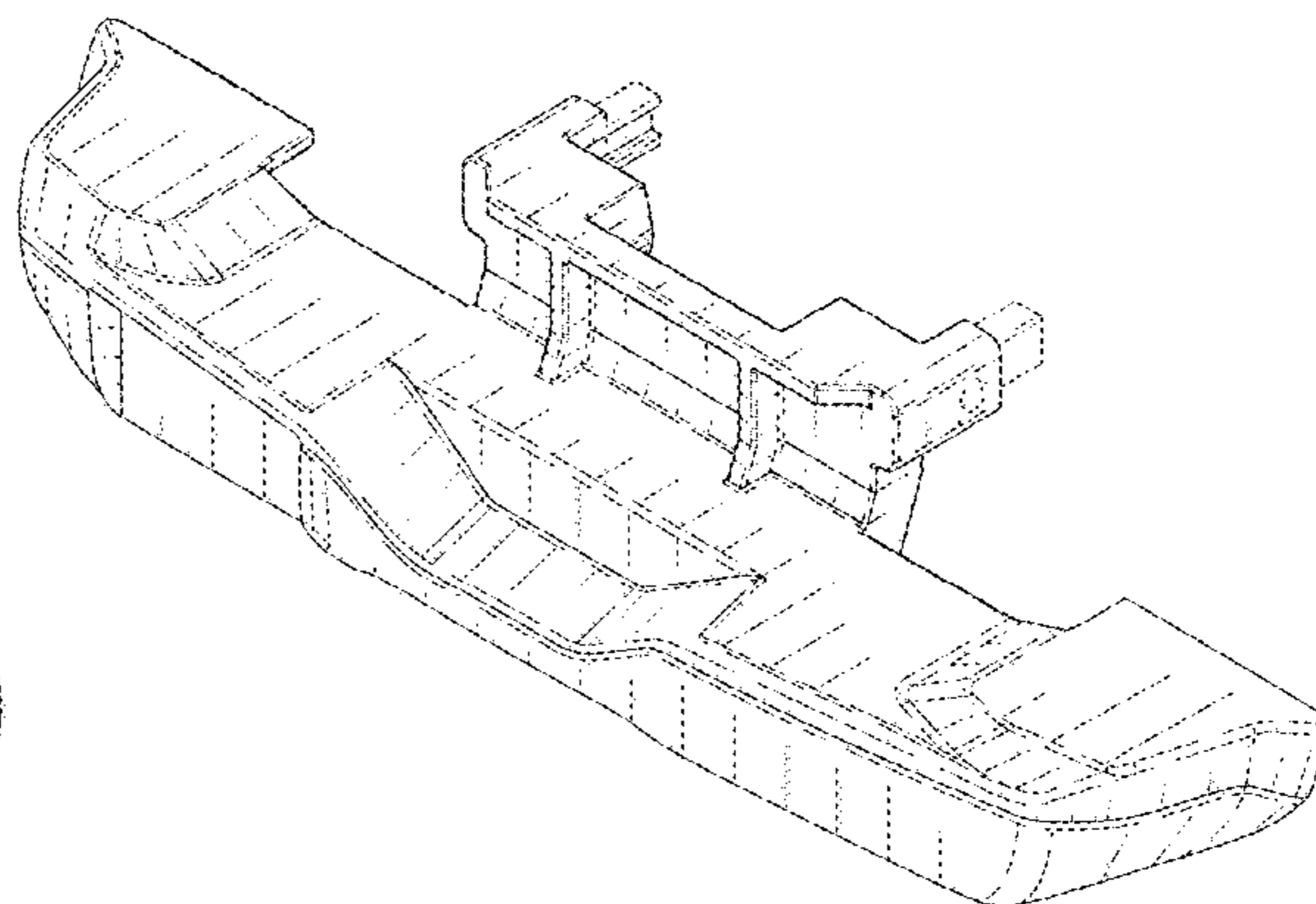
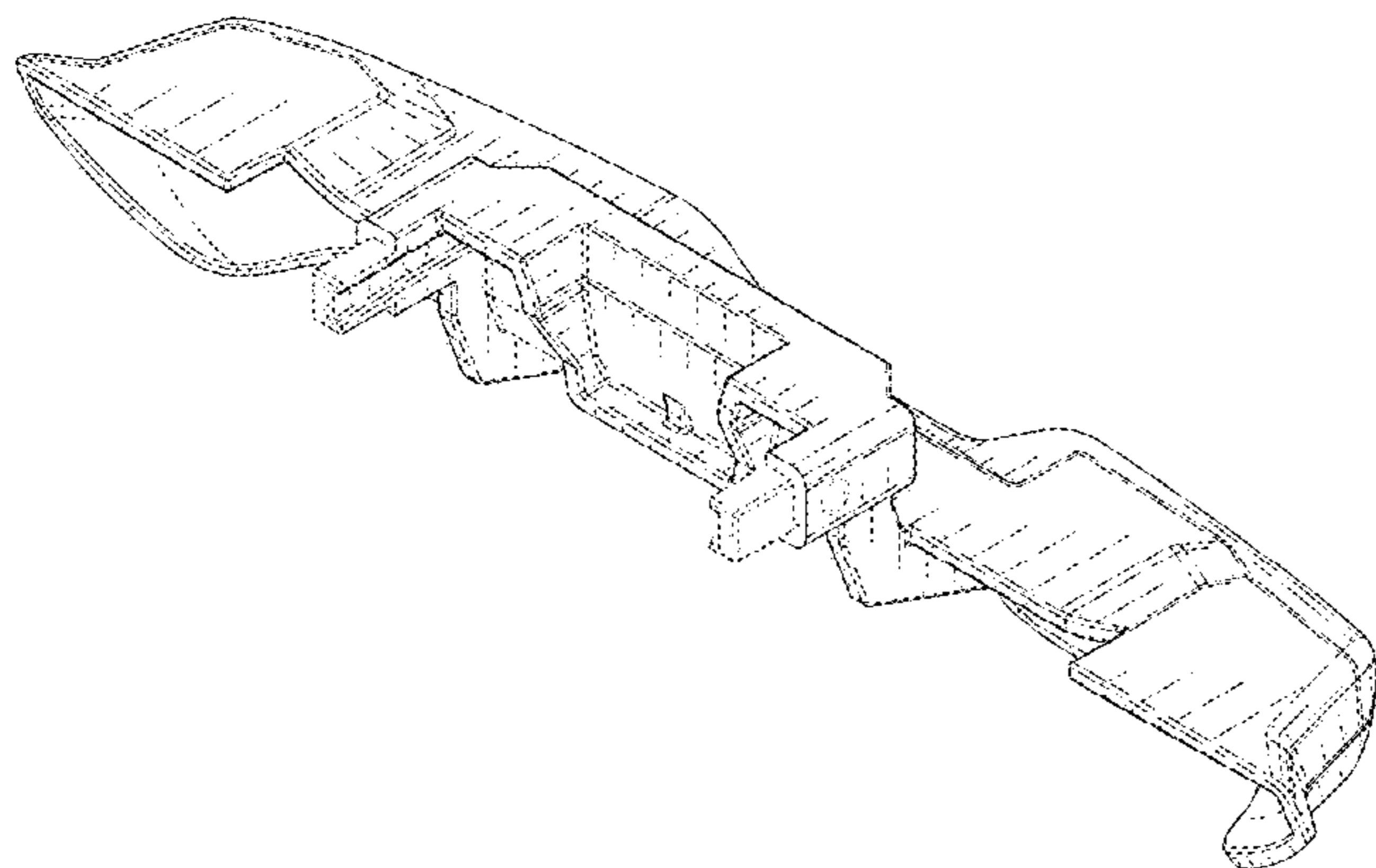
(56) **References Cited**

U.S. PATENT DOCUMENTS

1,355,592	A	10/1920	De Graw
1,414,382	A	5/1922	Stafford
1,427,624	A	8/1922	Newton
1,448,504	A	3/1923	Plante
1,464,321	A	8/1923	Koester et al.
1,468,868	A	9/1923	Reichstetter, Jr. et al.
1,487,352	A	3/1924	Nelson
1,494,867	A	5/1924	Rahe
1,509,394	A	9/1924	Cox
1,534,760	A	4/1925	Blackmore
1,633,603	A	6/1927	Spencer
1,655,978	A	1/1928	Vella

(Continued)

1 Claim, 7 Drawing Sheets



(56)

References Cited

U.S. PATENT DOCUMENTS

1,729,731 A	10/1929	Vidach	D691,074 S	10/2013	Dugardin
1,836,610 A	12/1931	McMurdo	D697,842 S	1/2014	Harriton
1,867,708 A	7/1932	Paton	D699,640 S	2/2014	Duderstadt
1,982,775 A	12/1934	Williams	D704,107 S	5/2014	Peltola et al.
2,038,964 A	4/1936	Smith	D713,305 S	9/2014	Sperling et al.
2,144,357 A	1/1939	Booharin	D716,201 S	10/2014	Ewing et al.
2,146,642 A	2/1939	Mueth	D722,927 S	2/2015	Schroeder et al.
2,227,560 A	1/1941	Szabo	D726,605 S	4/2015	Schroeder
2,236,507 A	4/1941	Kreits	D728,038 S	4/2015	Ewing et al.
D160,661 S	12/1949	Ross	D737,181 S	* 8/2015	Smith D12/169
2,502,483 A	4/1950	Sauer et al.	D737,724 S	9/2015	Schroeder et al.
2,604,349 A	7/1952	Martinetz	D737,739 S	9/2015	Hanson et al.
3,446,529 A	5/1969	Mills	D740,730 S	10/2015	Peltola et al.
3,547,469 A	12/1970	Sancioni	D741,233 S	10/2015	Glover et al.
3,663,048 A	5/1972	Zimmerle	D743,856 S	11/2015	Ma
3,689,054 A	9/1972	Gouirand	D744,384 S	12/2015	Harriton
D225,523 S	12/1972	Nunn	D744,386 S	12/2015	Harriton
3,756,643 A	9/1973	Weed	D744,387 S	12/2015	Harriton
3,774,948 A	11/1973	Gouirand	D744,388 S	12/2015	Harriton
3,782,767 A	1/1974	Moore	D749,021 S	2/2016	Boniface et al.
3,829,118 A	8/1974	Gouirand	D749,995 S	2/2016	Azadi et al.
3,837,695 A	9/1974	Haase et al.	D751,012 S	3/2016	Hare
D234,194 S	1/1975	Cline	D753,034 S	4/2016	Thole et al.
3,938,840 A	2/1976	Haase et al.	D760,133 S	6/2016	Bennett et al.
3,971,583 A	7/1976	Kornhauser	D761,166 S	7/2016	Hare
D245,774 S	9/1977	Norris	D763,745 S	8/2016	Lee, IV et al.
4,264,094 A	4/1981	White et al.	D764,728 S	8/2016	Choi et al.
D259,556 S	6/1981	Norris	D764,729 S	8/2016	Choi et al.
D259,557 S	6/1981	Norris	D769,945 S	10/2016	Serrurier et al.
D275,776 S	10/1984	Horowitz et al.	D771,537 S	* 11/2016	Hare D12/171
D300,128 S	3/1989	Brennan	D775,013 S	12/2016	Bennett et al.
5,181,699 A	1/1993	Chang	D775,016 S	12/2016	Reynolds
5,326,083 A	7/1994	Wydra et al.	D775,032 S	12/2016	Palmer et al.
D350,516 S	9/1994	Hanson	D776,582 S	1/2017	Bennett et al.
D360,865 S	8/1995	Hanson	D777,618 S	1/2017	Setina
D375,067 S	10/1996	Bronstein	D777,619 S	1/2017	Barajas et al.
D403,023 S	12/1998	Araki	D778,213 S	2/2017	Platto et al.
5,971,451 A	10/1999	Huang	D778,784 S	2/2017	Hirooka
D420,634 S	2/2000	Nelson	D781,193 S	3/2017	McMath
D420,962 S	2/2000	Chevalier	D781,757 S	3/2017	Baggett
D422,953 S	4/2000	Waagenaar	D784,869 S	4/2017	Yamamoto
D425,462 S	5/2000	Ujiie	D785,504 S	5/2017	Higgs
D431,506 S	10/2000	Runfola	D786,745 S	5/2017	Zeng
D432,469 S	10/2000	Nelson	D788,826 S	6/2017	Serrurier et al.
6,217,090 B1	4/2001	Berzinji	D789,258 S	6/2017	McMath
D454,098 S	3/2002	McGuinness	D790,600 S	6/2017	Serrurier et al.
D454,099 S	3/2002	McGuinness	D792,817 S	7/2017	McMath
D454,817 S	3/2002	McGuinness	D792,818 S	7/2017	McMath
D455,684 S	4/2002	McGuinness	D793,304 S	8/2017	McMath
D455,988 S	4/2002	McGuinness	D794,519 S	8/2017	McMath
D460,499 S	7/2002	Wu	D796,399 S	9/2017	Steen
D462,401 S	* 9/2002	Wu D21/561	D800,028 S	10/2017	Baggett
D462,727 S	9/2002	Wu	D800,036 S	10/2017	Bennett et al.
D464,087 S	10/2002	Wu	D800,226 S	10/2017	Zeng
D476,606 S	7/2003	Hamm et al.	D801,892 S	11/2017	Drever
D485,219 S	1/2004	Hamm et al.	9,840,218 B1	12/2017	Wymore
D487,038 S	2/2004	Chan	D807,249 S	1/2018	Piscitelli et al.
D502,433 S	3/2005	McClanahan	D809,684 S	2/2018	Wymore
D506,421 S	6/2005	Newbill	D810,626 S	2/2018	Macey et al.
D521,572 S	5/2006	Yuen	D810,639 S	2/2018	Li
7,097,222 B2	8/2006	Ran	D811,956 S	3/2018	Zeng
D527,696 S	9/2006	Ichikawa et al.	D814,984 S	4/2018	Wymore
D532,348 S	11/2006	Kudo et al.	D821,275 S	6/2018	Eck et al.
D533,606 S	12/2006	Kaminski	D823,750 S	7/2018	Schulzetenberg et al.
D534,593 S	1/2007	Yuen	D825,385 S	8/2018	Ma
D565,484 S	4/2008	Johnson et al.	D826,115 S	8/2018	Chi
D577,083 S	9/2008	Nakayama	D826,116 S	8/2018	DiCanzio
D580,322 S	11/2008	Schroeder et al.	D827,054 S	8/2018	Ewing et al.
D590,752 S	4/2009	Williams et al.	D827,055 S	8/2018	Barajas et al.
D593,616 S	6/2009	Asai	D828,223 S	9/2018	Piscitelli
D606,913 S	12/2009	Robertson	D828,796 S	9/2018	Allmendinger et al.
7,703,834 B1	4/2010	Hardy et al.	D830,919 S	10/2018	Zeng
D636,305 S	4/2011	Alvarez et al.	D830,948 S	10/2018	Fenchak et al.
D642,099 S	7/2011	Nagao et al.	D832,161 S	10/2018	Kobayashi
D683,281 S	5/2013	Harriton	D832,368 S	10/2018	Barajas et al.
			D833,922 S	11/2018	DiCanzio
			D840,299 S	2/2019	Dewitt et al.
			D845,844 S	4/2019	Langhals et al.
			D845,845 S	4/2019	Goodrich et al.

(56)

References Cited

U.S. PATENT DOCUMENTS

D845,846 S 4/2019 Goodrich et al.
 D845,847 S 4/2019 Piscitelli et al.
 D846,460 S * 4/2019 Goodrich D12/169
 D846,461 S 4/2019 Piscitelli et al.
 D846,462 S 4/2019 DiCanzio
 D847,051 S 4/2019 DiCanzio
 D847,709 S 5/2019 Neal
 D850,334 S 6/2019 DiCanzio
 D860,881 S 9/2019 Ninov et al.
 D864,806 S * 10/2019 Wood D12/171
 D870,615 S * 12/2019 Wood D12/171
 D873,729 S 1/2020 Rolfs et al.
 D873,730 S 1/2020 Goodrich et al.
 D873,731 S 1/2020 Goodrich et al.
 D873,734 S 1/2020 Goodrich et al.
 D874,998 S 2/2020 Zhang
 D874,999 S 2/2020 Ewing et al.
 D877,003 S 3/2020 Izard
 D877,670 S 3/2020 Moctezuma
 D878,976 S 3/2020 Goodrich et al.
 D878,977 S 3/2020 Ewing et al.
 D878,978 S 3/2020 Li
 D878,979 S 3/2020 Zavala
 D880,381 S 4/2020 DiCanzio
 D881,085 S 4/2020 Dewitt et al.
 D883,870 S 5/2020 Platto et al.
 D887,328 S 6/2020 Lee
 D888,628 S 6/2020 Bennett et al.
 D889,332 S 7/2020 Chi
 D890,036 S 7/2020 Marshall et al.
 D891,330 S 7/2020 Lenz, Jr.
 D893,366 S 8/2020 Dewitt et al.
 D894,802 S 9/2020 Grand
 D894,803 S 9/2020 DiCanzio
 D896,139 S 9/2020 Williams
 D904,244 S 12/2020 Wood et al.
 D907,544 S 1/2021 Wall et al.
 D908,177 S 1/2021 Sprowl et al.
 D908,561 S 1/2021 Harriton et al.
 D908,562 S 1/2021 Harriton et al.
 D909,918 S 2/2021 Langhals et al.
 D910,493 S 2/2021 Langhals et al.
 D910,507 S 2/2021 Bennett et al.
 D918,802 S 5/2021 Huang
 D918,803 S * 5/2021 Wood D12/171
 D919,516 S 5/2021 Chi
 D920,194 S 5/2021 Mallicote et al.
 11,014,517 B2 5/2021 Hatch et al.
 D922,272 S 6/2021 Wraith et al.
 D923,111 S * 6/2021 Wood D21/561
 D923,112 S 6/2021 Hagler et al.
 D923,113 S * 6/2021 Hagler D21/561
 D931,384 S 9/2021 Chen
 D937,146 S 11/2021 Kaoud et al.
 D937,149 S 11/2021 Wraith et al.
 D937,150 S 11/2021 Wraith et al.
 D940,015 S 1/2022 Sprowl et al.
 D945,332 S 3/2022 Hagler et al.
 D946,666 S 3/2022 Ewing et al.
 D949,068 S 4/2022 Hu
 D951,369 S 5/2022 Sprowl et al.
 D952,058 S * 5/2022 Sprowl D21/561
 D956,147 S 6/2022 Sprowl et al.
 D956,148 S 6/2022 Sprowl et al.
 D960,061 S 8/2022 Langhals et al.
 D960,254 S 8/2022 Ewing et al.
 D960,255 S 8/2022 Ewing et al.
 D988,211 S 6/2023 Willing et al.
 D998,720 S * 9/2023 Sprowl D21/548
 D1,000,332 S 10/2023 Sprowl et al.
 D1,002,456 S 10/2023 Mallicote et al.
 D1,033,296 S 7/2024 Willing et al.
 D1,033,297 S 7/2024 Willing et al.
 D1,039,065 S * 8/2024 Ewing D12/171
 D1,069,934 S * 4/2025 Ewing D21/561

2006/0021188 A1 2/2006 Lee
 2006/0192398 A1 8/2006 Buniewicz et al.
 2006/0261613 A1 11/2006 Byers et al.
 2009/0212581 A1 8/2009 Drever
 2009/0302623 A1 12/2009 Finney
 2013/0187395 A1 7/2013 Hanson et al.
 2013/0257070 A1 10/2013 Ebara et al.
 2017/0088076 A1 3/2017 Fujimoto et al.
 2017/0247014 A1 8/2017 Farooq et al.
 2017/0349227 A1 12/2017 Spindler et al.
 2018/0072254 A1 3/2018 Wymore
 2019/0126868 A1 5/2019 Wymore
 2019/0337476 A1 11/2019 Hare et al.
 2021/0024141 A1 1/2021 Salter
 2021/0046395 A1 2/2021 Allmendinger et al.
 2023/0069186 A1 3/2023 Colgan-Smith et al.
 2023/0130961 A1 4/2023 Hartenstein
 2024/0115964 A1 4/2024 Christensen et al.
 2024/0115965 A1 4/2024 Christensen et al.

FOREIGN PATENT DOCUMENTS

CN 305108886 4/2019
 CN 306150524 * 11/2020
 CN 306250137 12/2020
 CN 307160893 * 3/2022
 DE 402017100863-0007 7/2018
 EM 008468474-0002 3/2021
 EM 009078603-0004 7/2022
 EM 015013355-0020 3/2023
 EM 015013355-0021 * 3/2023
 GB 6217584 7/2022
 GB 6217586 7/2022
 GB 6265733 3/2023
 KR 300270161.0001 11/2001
 KR 300274271.0001 11/2022
 TW D147600 S 6/2012
 TW D154920 S 7/2013
 TW D163365 S 10/2014
 TW D168397 S 6/2015
 TW D169825 S 8/2015
 WO 2007056481 A2 5/2007

OTHER PUBLICATIONS

Amazon Website, Injora Rear Bumper, Earliest Comment Date: Apr. 25, 2021[Website Visited Apr. 25, 2025]Available on the Internet URL <https://www.amazon.com/dp/B08CMKM8ZY> (Year: 2021).*

Amazon Website, Traxxas Rear Bumper, Earliest Comment Date: Apr. 25, 2021[Website Visited Apr. 25, 2025]Available on the Internet URL <https://www.amazon.com/dp/B0C4TMDNM1> (Year: 2024).*

Traxxas Website, Bumper, rear/ bumper mount, No Available Date [Website Visited Mar. 12, 2024], Available on the Internet URL: <https://traxxas.com/products/parts/6737X> (Year: 2024).

Amazon Website, Traxxas 6737X—Rear Bumper w/Mount, No Available Date [Website Visited Mar. 12, 2024], Available on the Internet URL: <https://www.amazon.com/dp/B0CMDH5QGR> (Year: 2024).

Amazon Website, Front & Rear Bumper Assembly, Earliest Available Date: Aug. 24, 2023 [Website Visited Mar. 12, 2024], Available on the Internet URL: <https://www.amazon.com/dp/B0CGH4JZTK?th=1> (Year: 2023).

Amazon Website, RCAWD Front & Rear Bumper Set & 4 LED Lights, No Available Date [Website Visited Mar. 11, 2024], Available on the Internet URL: <https://www.amazon.com/dp/B0B5TCN7J4/> (Year: 2024).

Traxxas LP; The New Traxxas Summit 16.8 V Electric Extreme Terrain Monster Truck; Traxxas Press Release; Oct. 16, 2008.

Summit E-Revo Crawler SP08503 front bumper; Oct. 16, 2008.

“How Do I Add a Ball Hitch to my RPM Rear Bumper (T/E-Maxx & Revo Bumpers)?” RPM, Jul. 30, 2005 [online], [retrieved on Sep. 12, 1996]. Retrieved from the internet, URL: <http://www.rpmrcproducts.com/faq/add-ball-hitch-rpm-rear-bumper-te-maxx-revo-bumpers/>.

(56)

References Cited

OTHER PUBLICATIONS

“Warn 87750 Elite Series Front Bumper with Grill Guard Tube” RPM, Jul. 17, 2013 [online], [retrieved on Sep. 12, 2016]. Retrieved from Internet, URL: https://www.amazon.com/gp/product/B00625F4FI/ref=pd_sim_263_5?ie=UTF8&pd_rd_i=B00625F4FI&pd_rd_r=QN6NZ5WV34ZS00Z3BSGH&pd_rd_w=4XjJD&pd_rd_wg=7Z80V&pvc=1&refRID=QN6NZ5WV34ZS0.

“Yeah Racing F/R Bumper w/ HD Shackie & LED’s—SCX10, Traxxas.” RC Hobbies, Nov. 12, 2014 [online], [retrieved on Sep. 12, 2016]. Retrieved from the Internet <URL: http://rchoobbies.com.au/store/product_info.php?products_id=80405>.

Taiwan IPO Search Report; Taiwan Design Patent App No. 105301434; Aug. 4, 2016.

Associated Electrics; “Catalog and Parts Listing for the Monster GT Truck”; 2003; Associated Electrics, Inc., Costa Mesa, California.

Horizon Hobby; “Team Losi LST Super Truck—Drive Train Assy” exploded view; Horizon Hobby, Inc., Champaign, Illinois.

HPI Racing, “Savage 21 4WD Giant Monster Truck” p. 56 exploded view; Hobby Products International, Foothill Ranch, California.

Tamiya, “Terra Crusher Parts Breakdown—Front End”; Tamiya America, Inc., Aliso Viejo, California.

Tamiya, “Wild Willy 2 Parts Breakdown”; 1999, Tamiya America, Inc., Aliso Viejo, California.

Tamiya, “Wild Willy”; Tamiya America, Inc., Aliso Viejo, California; 1 photograph.

Traxxas, “T-Maxx Assemblies—Front Assembly”; Traxxas LP, Plano, Texas.

Axial SCX10 II 2000 Jeep Cherokee; <http://www.axialracing.com/products/ax90047>; Aug. 2016.

Axial SCX 10 Deadbolt; <http://www.axialracing.com/products/ax90044>; Aug. 2016.

Traxxas; Bumper support geometry, body mounts, body mount posts; <https://traxxas.com/products/parts/3619>; Oct. 2016.

Sema 2015 Fab Fours; 2 photos.

PL6088-00 Front Proline Ridge-Line Bumper (Smal), Earliest Available Date May 2, 2019 [Online], [Site Visited Oct. 20, 2020] Available From Internet, URL: <https://www.ebay.com/itm/PL6088-00-Front-PROLINE-RIDGE-LINE-BUMPER-SMAL-SET-VOOR-NARROW-ROCK-CRAWLING-/153425968229?_trksid=p2385738.m4383.14275.c10> (Year: 2019).

Traxxas TRX-4 Winch Front Bumper, Earliest Available Date May 22, 2019 [Online], [Site Visited Oct. 20, 2020] Available From Internet, URL: <https://www.amainhobbies.com/traxxas-trx-4-winch-front-bumper-tra8124/p779826?gclid=EAlalQobChMI0aymroXE7AIVD02GCh0ntA-WEAQYBSABEgJl5_D_BwE> (Year: 2019).

TF2 Mojave ARB-Deluxe Metal Front Bumper Assembly, Earliest Available Date Oct. 22, 2020 [Online], [Site Visited Oct. 22, 2020] Available From Internet, URL: <<https://www.aliexpress.com/i/4000118857581.html>> (Year: 2020).

Traxxas 5834 Front Bumper Mount Front Adapter 2WD Slash 4x4, Earliest Available Date Jul. 15, 2020 [Online], [Site Visited Oct. 22, 2020] Available From Internet, URL: <https://www.ebay.com/itm/Traxxas-5834-Front-Bumper-Mount-Front-Adapter-2WD-Slash-4x4-/174332832512?_trksid=p2385738.m4383.14275.c10> (Year: 2020).

Traxxas TRA6736 Bumper, Front/ Bumper Support, Earliest Available Date Oct. 22, 2020 [Online], [Site Visited Oct. 22, 2020] Available From Internet, URL: <<https://amazon.com/Traxxas-TRA6736-Bumper-Front-Support/dp/B07HJF56V1#customerReviews>> (Year: 2020).

Bull Bars. (Design—© Questel) orbit.com. [Online PDF compilation of references] 16 pgs. Print Dates Range Oct. 8, 2019-Apr. 14, 2005 [Retrieved Jun. 4, 2021].

“4 Pcs ZD Racing 8481 Front Bumper Set.” Before Jul. 21, 2019. Banggood. https://www.banggood.com/4PCS-ZD-Racing-8481-Front-Bumper-Set-for-9116-08427-9021-V3-1-or-8-RC-Car-Parts-p-1528272.html?cur_warehouse=CN (Year: 2019).

Onorato, Paul. “3 Must-See Pro-Line Traxxas Slash Builds that Anyone Can Do!” Apr. 29, 2019. RC Driver. <https://www.rcdriver.com/3-must-see-pro-line-traxxas-slash-builds-that-anyone-can-do/> (Year: 2019).

“Traxxas Trx4 Aluminum Front Bumper (GPM Racing Product) Adding Extra Weight to the Front—RC Overdose.” Jan. 31, 2018. YouTube. https://www.youtube.com/watch?v=_wui5f_k1eY (Year: 2018).

Traxxas 8990 Complete Waterproof LED Light Bar Kit, Nov. 14, 2019, amazon.com, Dec. 15, 2021, URL: <https://www.amazon.com/Traxxas-8990-LED-Light-Kit/dp/B07YGR7GLT> (Year: 2019).

Traxxas 7735 X-Maxx Front Bumper, Jan. 5, 2016, amazon.com, Dec. 15, 2021, URL: <https://www.amazon.com/Traxxas-7735-X-Maxx-Front-Bumper/dp/B01A6Z06HU/> (Year: 2016).

Bumper, Rear, Traxxas 9036, available on hobby-time.com, original text Aug. 29, 2020, [site visited Jan. 24, 2022], URL: https://www.hobby-time.com/index.php?main_page=product_info&products_id=69348 (Year: 2020).

Traxxas Hoss Rear Bumper, available on hobbytown.com, product added to catalog Feb. 17, 2021, [site visited Jan. 24, 2022], URL: <https://www.hobbytown.com/traxxas-hoss-rear-bumper-tra9036/p1253531> (Year: 2021).

Traxxas 9036 Bumper, available on Amazon.com, [site visited Jan. 24, 2022], URL: <https://www.amazon.com/Traxxas-9036-Bumper-Mount-Support/dp/B08FP5CSYG/> (Year: 2022).

Bumper, rear (#9036), available on traxxas.com, [site visited Jan. 24, 2022], URL: <https://traxxas.com/products/parts/9097> (Year: 2022).

Hoss 4x4 LED Light Kit, available on traxxas.com, [site visited Jan. 24, 2022], URL: <https://traxxas.com/products/parts/9095-hoss-4x4-light-kit> (Year: 2022).

Traxxas 8936 Bumper, available on Amazon.com, [site visited Jan. 24, 2022], URL: <https://www.amazon.com/Traxxas-8936-Bumper-Rear/dp/B081LMYSNT/> (Year: 2022).

RPM Wide Front Bumper Black Rustler, available on amazon.com, date first available Jun. 21, 2007, [site visited Jan. 24, 2022], URL: <https://www.amazon.com/RPM-Bumper-Rustler-Stampede-Bandit/dp/B0006O7RR4/> (Year: 2007).

Axial SCX10 II, available on amainhobbies.com, added to catalog Apr. 8, 2020, [site visited Jan. 24, 2022], URL: <https://www.amainhobbies.com/axial-scx10-iii-crc-jeep-jlu-bumper-set-axi230018/p1204845> (Year: 2020).

Robatt, “Warn rock crawler front bumper on a 4Runner!!!” Oct. 14, 2009, yotatech.com, site visited Mar. 11, 2022, URL: <https://www.yotatech.com/forums/fl16/warn-rock-crawler-front-bumper-4runner-190663/> (Year: 2009).

“Tags,” Feb. 2, 2017, pxhere.com, site visited Mar. 11, 2022, URL: <https://pxhere.com/en/photo/601400> (Year: 2017).

“That new new,” Nov. 20, 2019, facebook.com, site visited Nov. 20, 2019, URL: (possible 102 or 103) <https://www.facebook.com/traxxas/photos/2589499214431423> (Year: 2019).

“RC Front Bumper,” Aug. 28, 2019, amazon.com, site visited Mar. 11, 2022, URL: <https://www.amazon.com/Aluminum-Traxxas-Crawler-Large-Size-Heavy-Metal/dp/B07X42VJNY/> (Year: 2019).

“Wide World of TRX-4 Sports: Part 2,” Oct. 28, 2020, facebook.com, site visited Mar. 11, 2022, URL: <https://www.facebook.com/traxxas/photos/3475502935831042> (Year: 2020).

“Wake up & find your adventure!” Sep. 26, 2020, facebook.com, site visited Mar. 11, 2022, URL: <https://www.facebook.com/traxxas/photos/3378456638869006> (Year: 2020).

Traxxas Bumper Front with LED Model #6797, Traxxas Webpage [online], [Site Visit Jun. 8, 2023], URL: <https://traxxas.com/products/parts/6797> (Year: 2023).

Traxxas Bumper Front and Support, Traxxas Webpage [online], [Site Visit Jun. 8, 2023], URL: <https://traxxas.com/products/parts/6736> (Year: 2023).

Traxxas TRX-4M Ford Bronco Front & Rear Bumper, Part # TRA9735, as shown in www.hobbytown.com, May 23, 2023. (Year: 2023).

New Epic RC Car! Traxxas XRT! Not An X-maxx, RCDRIVER_Online, as shown in www.youtube.com, Oct. 26, 2022. (Year: 2022).

Traxxas XRT Front Bumper & Mount, as shown in www.amainhobbies.com, May 16, 2023, Part# TRA7835. (Year: 2023).

(56)

References Cited

OTHER PUBLICATIONS

Quadratec Brute Strength™ Winch Bumper for 18-24 Jeep Wrangler JL & Gladiator JT, as shown in www.quadratec.com, Apr. 22, 2020. (Year: 2020).

Raid Full Length Front Bumper Kit Suited for Jeep Wrangler JL/JLU, Ironman 4x4, Part No. BBR077JLKS1, as shown in www.ironman4x4america.com, Jan. 20, 2022. (Year: 2022).

Aluminum Front Bumper for Traxxas 1/6 XRT 7835, as shown in www.aliexpress.us, no date listed, date found Jun. 14, 2024. (Year: 2024).

Amazon Website, Traxxas 6737 Bumper Rear Bumper Mount, Earliest Available Date: Dec. 21, 2018 [Website Visited Jan. 10, 2024], Available on the Internet URL: <https://www.amazon.com/dp/B07MN4TB8B> (Year: 2018).

Amazon Website, Gthele Front&Rear Bumper Aluminum for Traxxas 1/8 TRX4M Defender, Earliest Comment Date: Nov. 3, 2023

[Website Visited Jan. 10, 2024], Available on the Internet URL: <https://www.amazon.com/dp/B0CBHFWCKQ/> (Year: 2023).

Traxxas Website, Bumper, rear/ bumper mount, rear, No Available Date [Website Visited Jan. 10, 2024], Available on the Internet URL: <https://traxxas.com/products/parts/6737> (Year: 2024).

Amazon Website, RCAWD Front & Rear Bumper Set & 4 LED Lights, Earliest Comment Date: Feb. 8, 2023 [Website Visited Jan. 10, 2024], Available on the Internet URL: <https://www.amazon.com/dp/B0B5T918R9/> (Year: 2023).

Traxxas Website, LED light set, complete, No Available Date [Website Visited Jan. 10, 2024], Available on the Internet URL: <https://traxxas.com/products/parts/6794> (Year: 2024).

Amazon Website, Traxxas 3794 LED Light Set, Complete, Earliest Comment Date: May 20, 2023 [Website Visited Jan. 10, 2024], Available on the Internet URL: <https://www.amazon.com/dp/B0B59RQK8Q/> (Year: 2023).

* cited by examiner

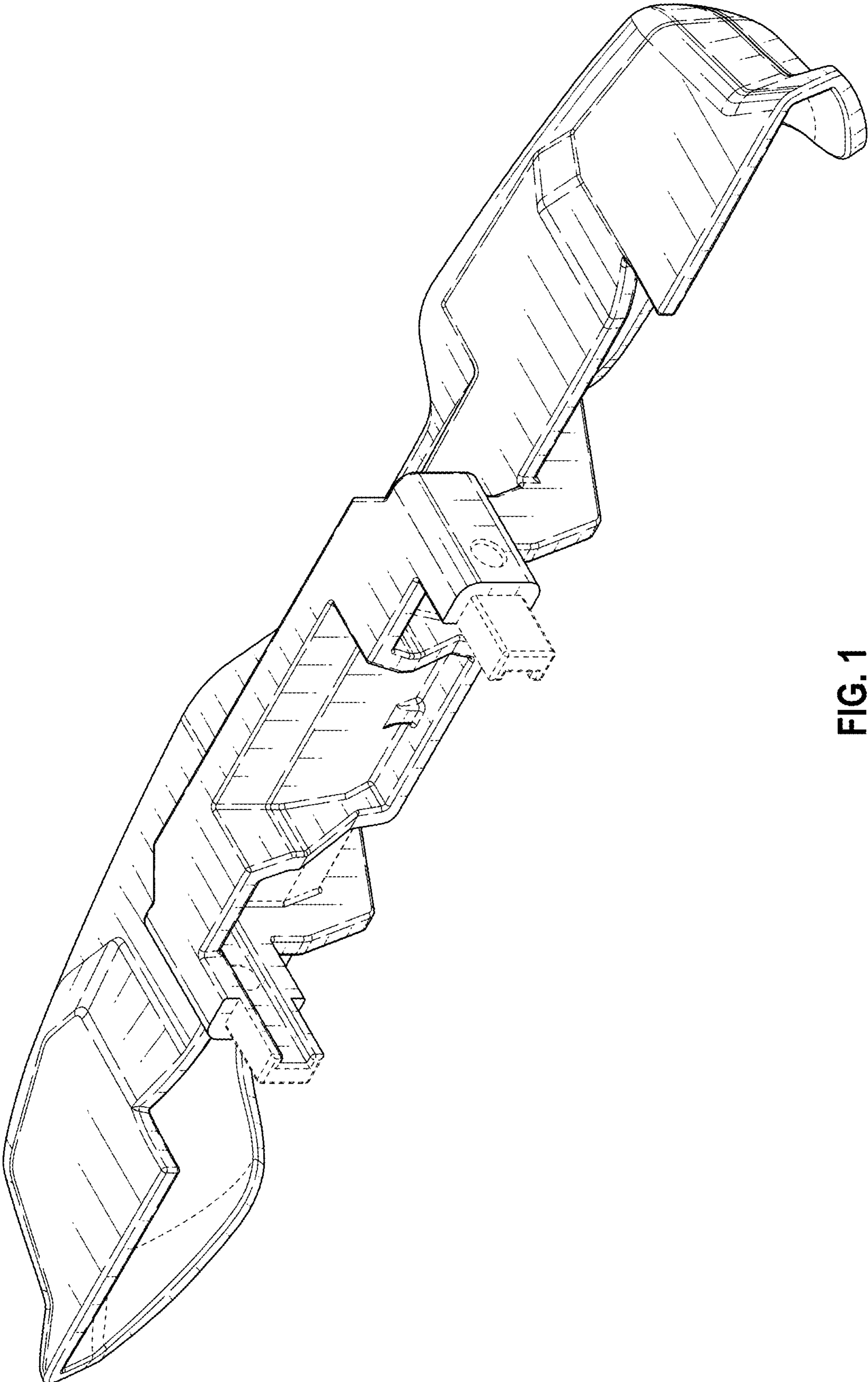


FIG. 1

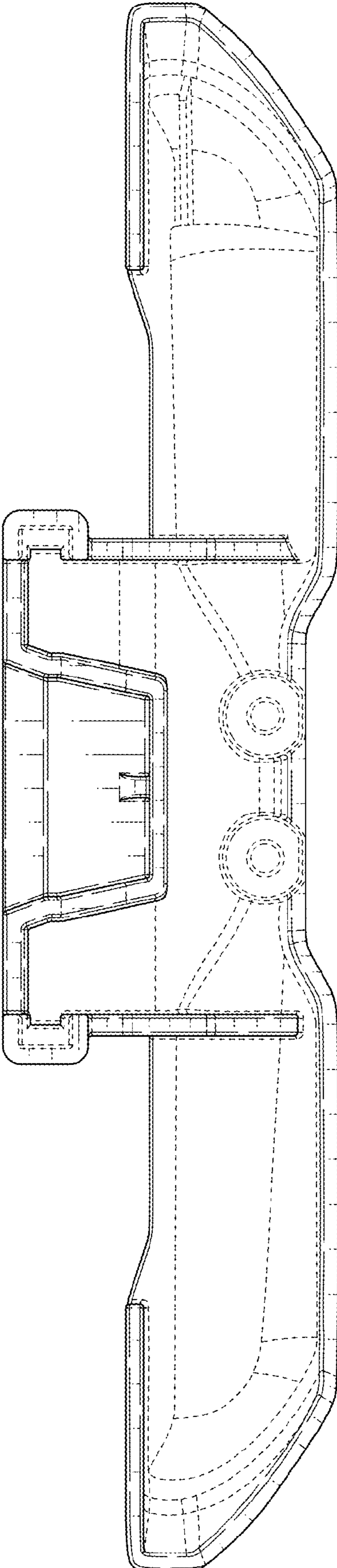


FIG. 2

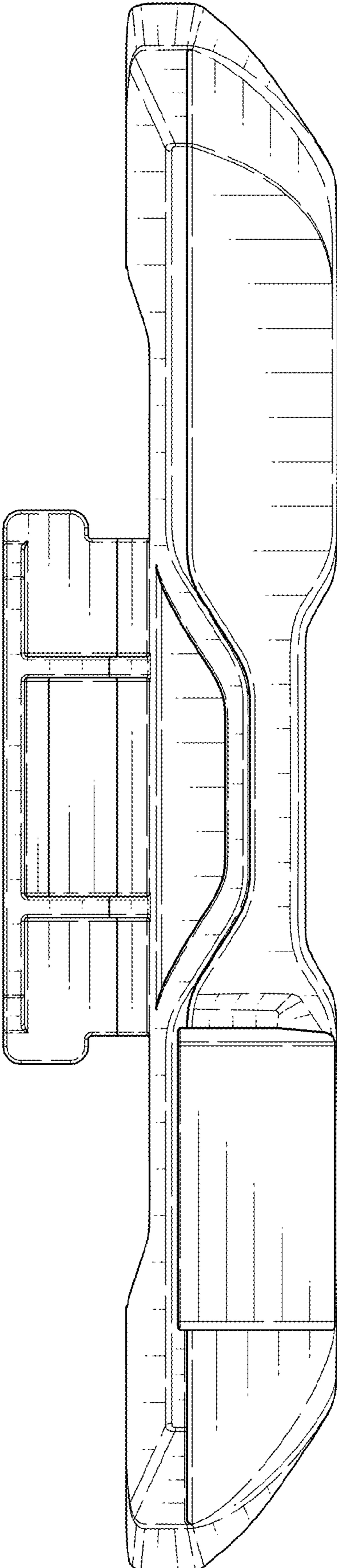


FIG. 3

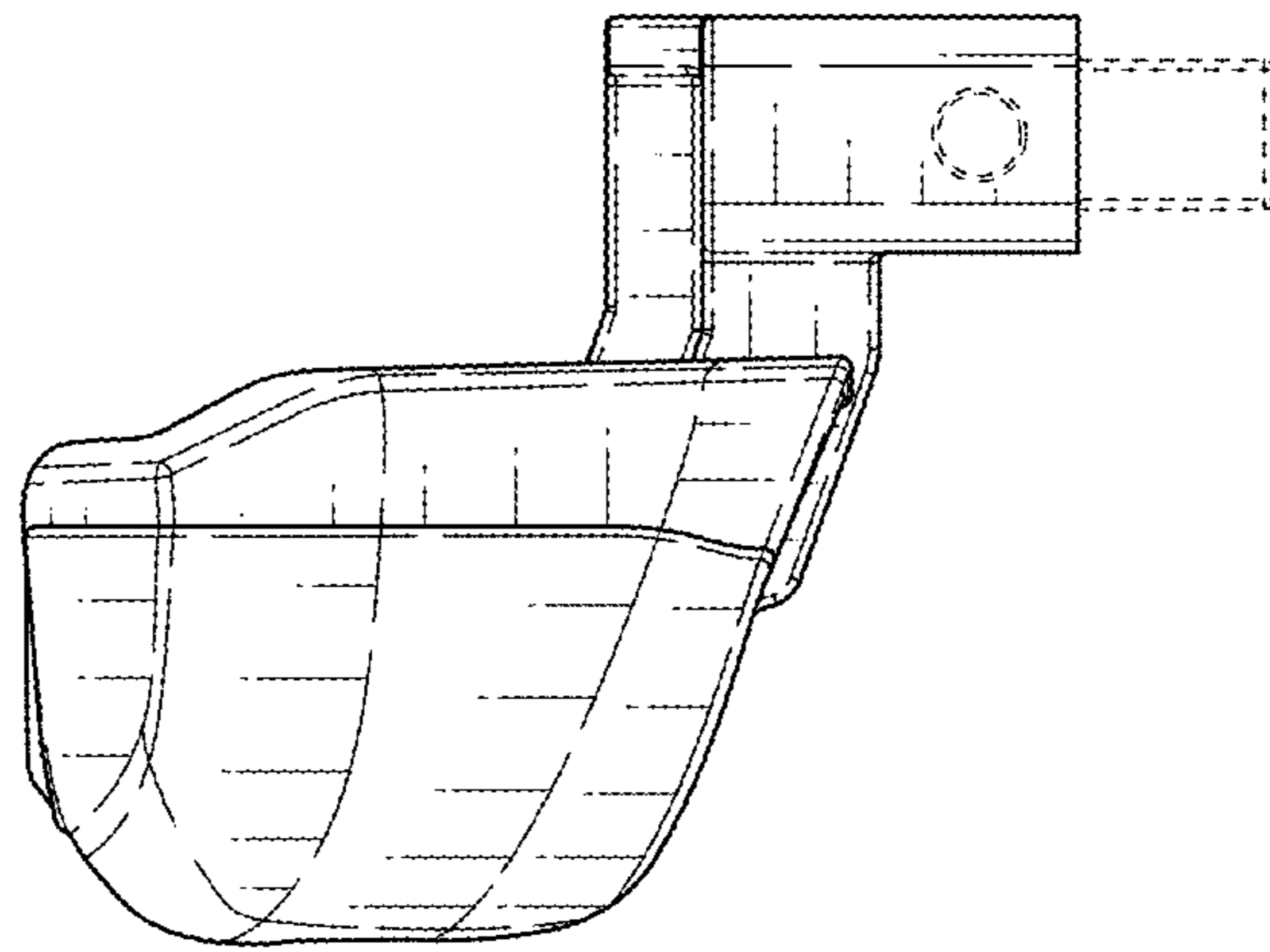


FIG. 4

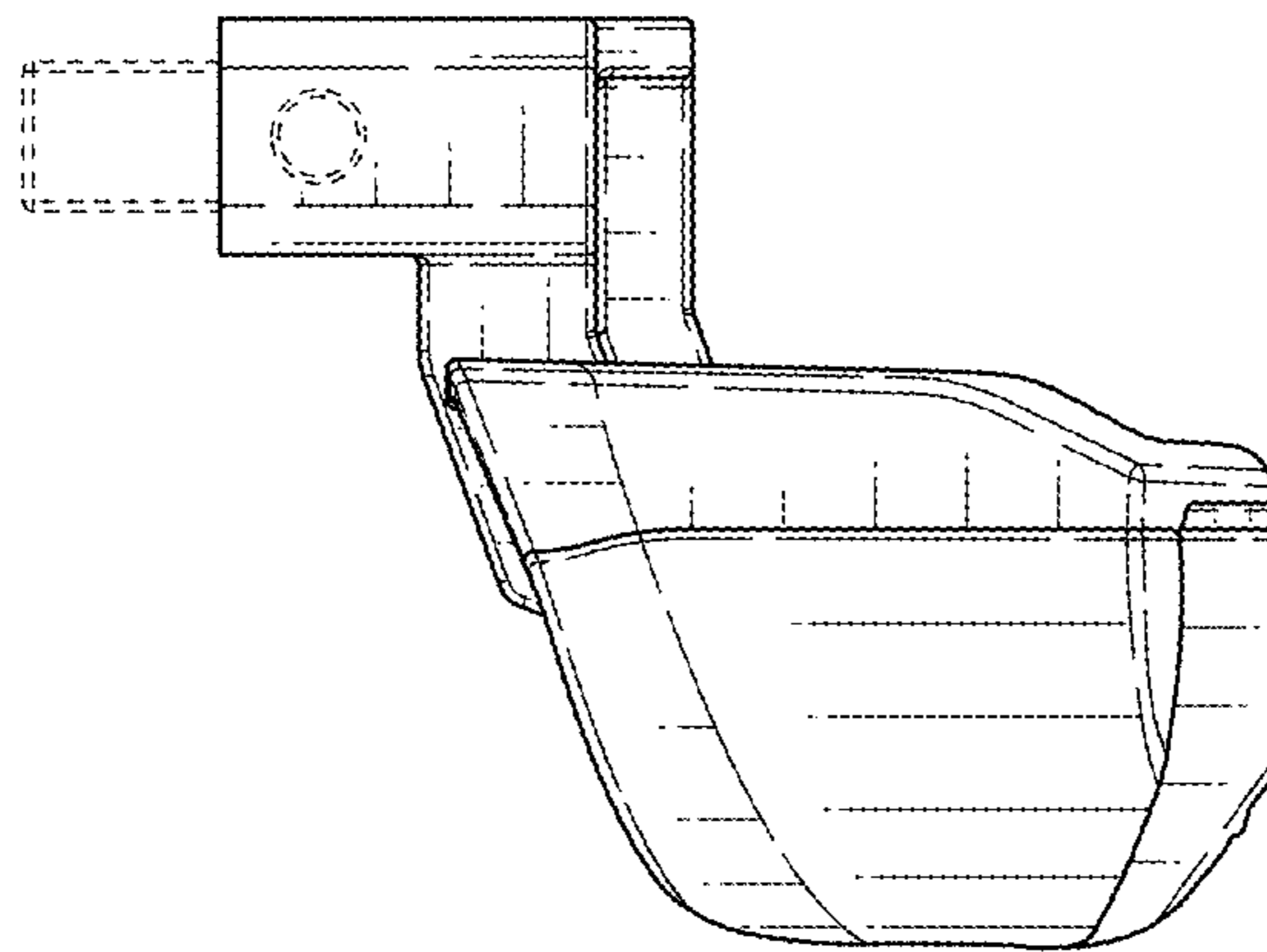


FIG. 5

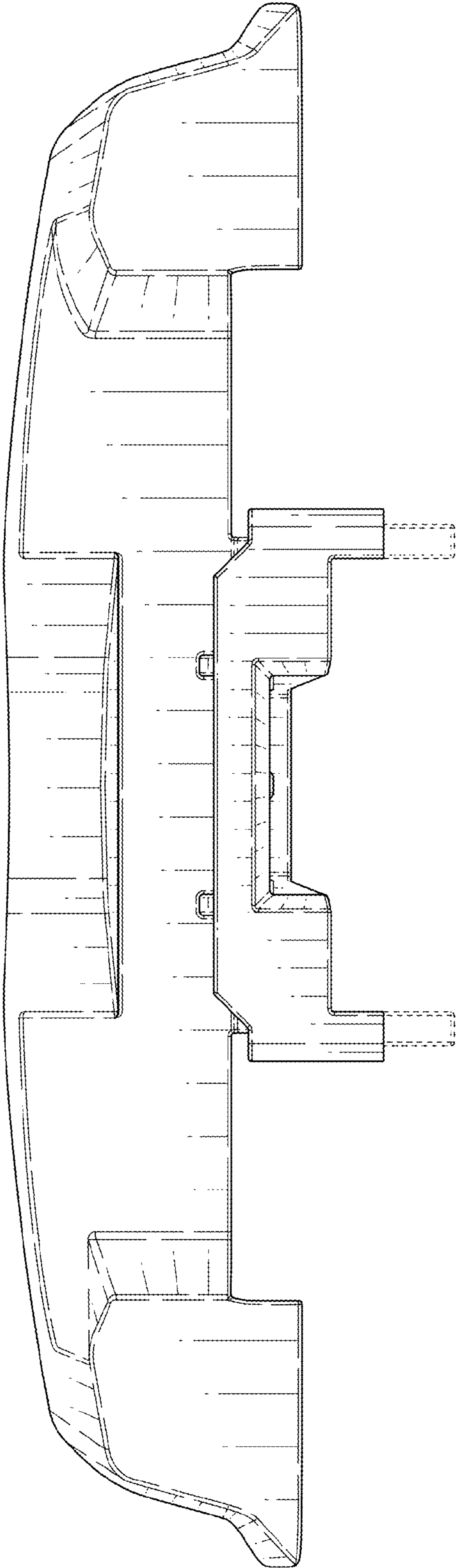


FIG. 6

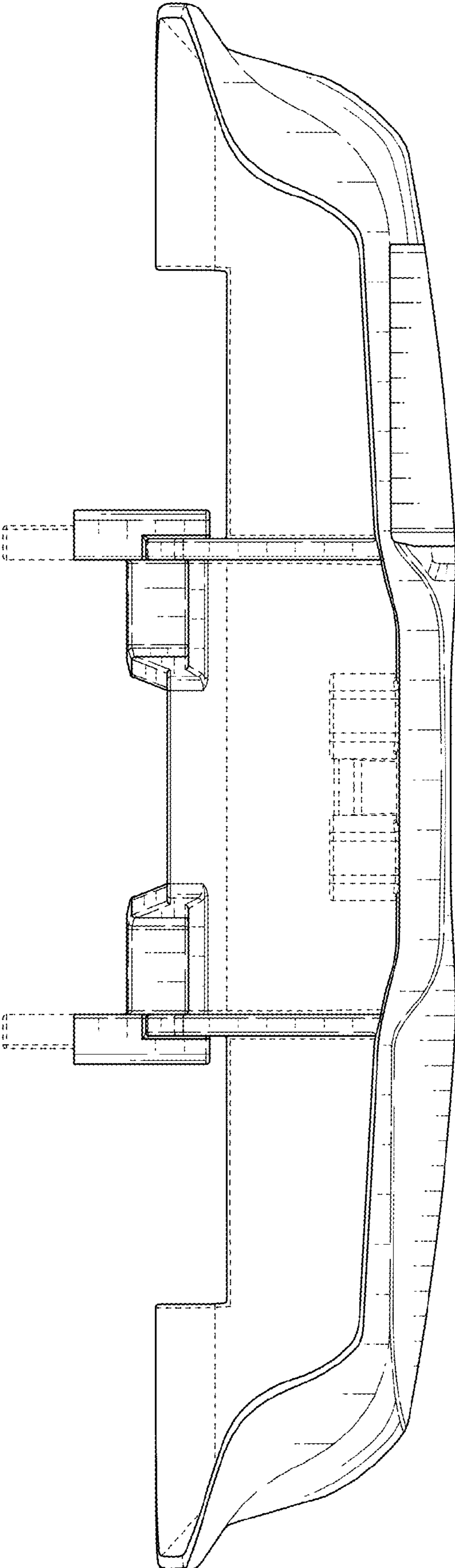


FIG. 7

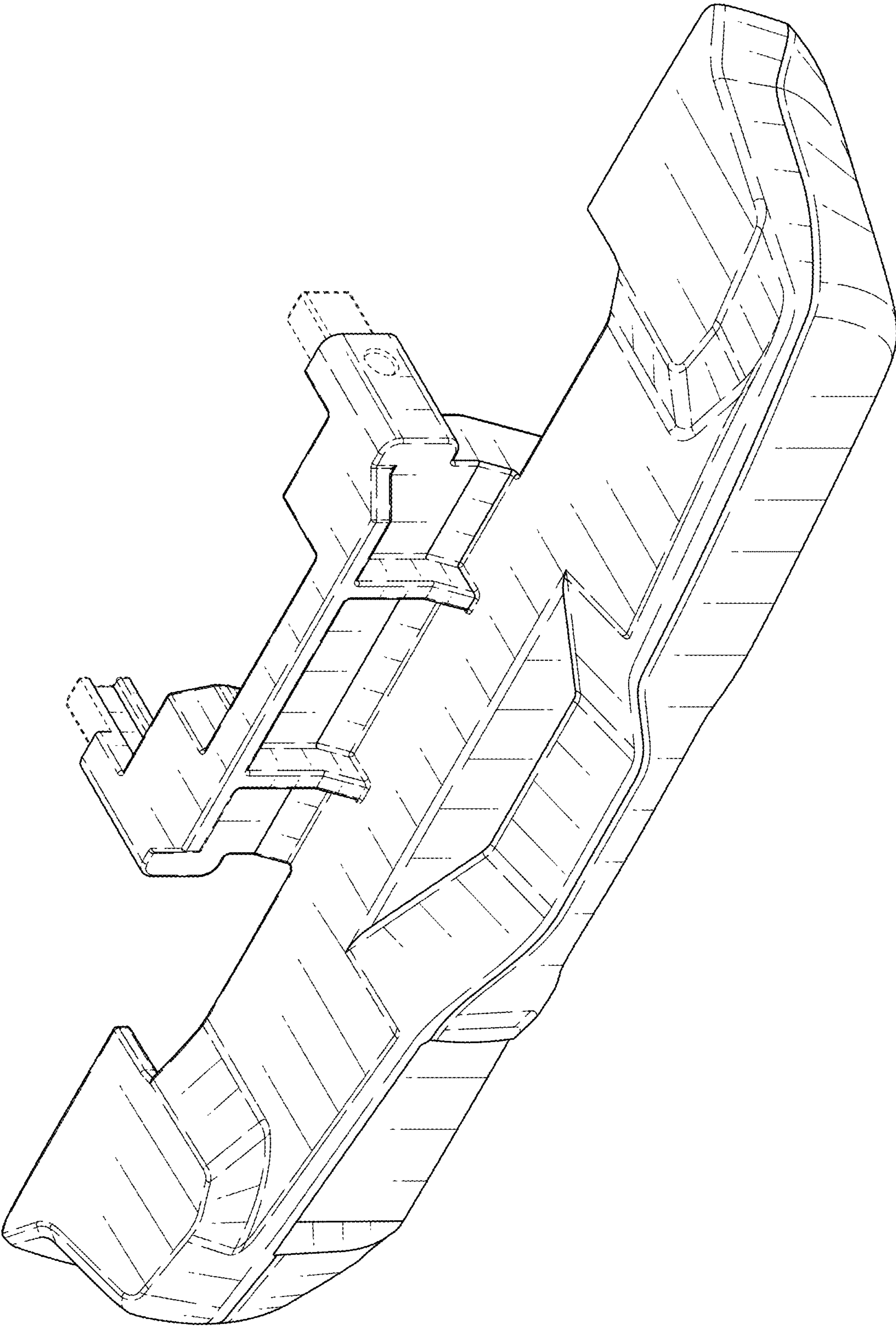


FIG. 8

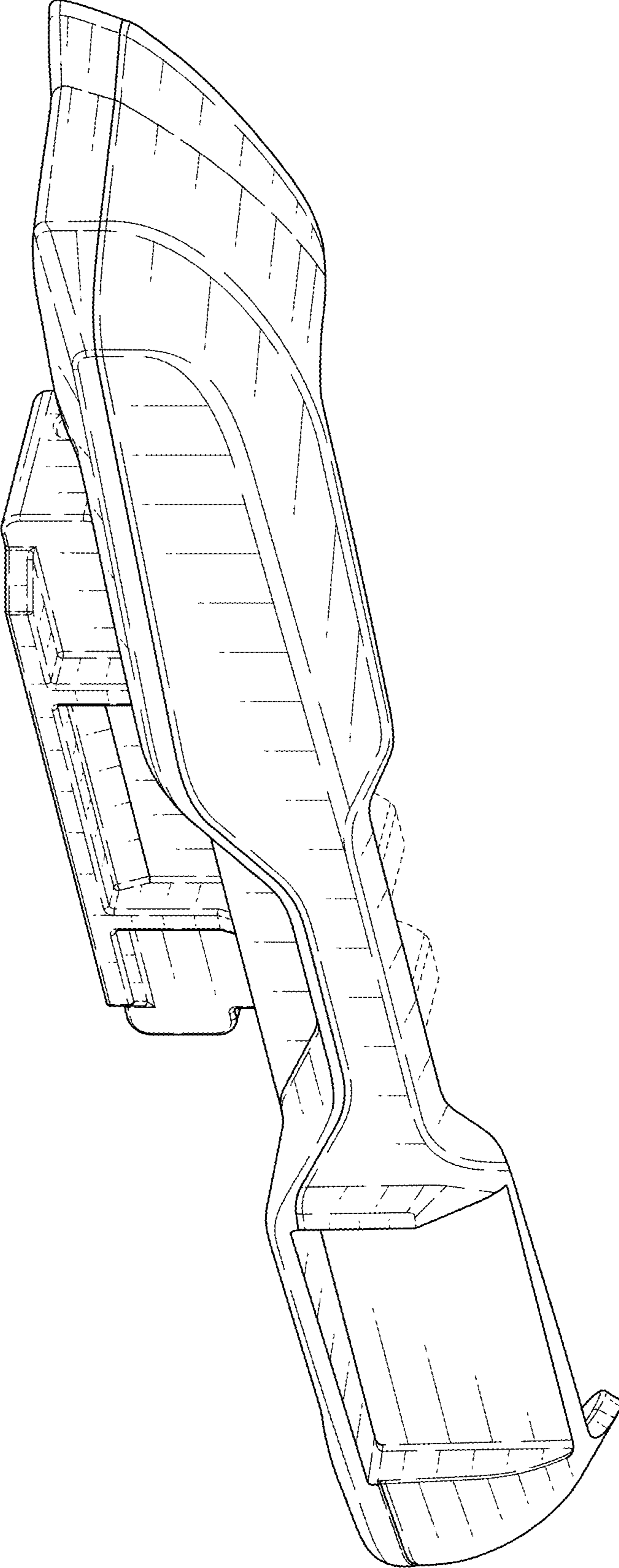


FIG. 9