



US0D1080397S

(12) **United States Design Patent**
Hood, II

(10) **Patent No.: US D1,080,397 S**

(45) **Date of Patent: ** Jun. 24, 2025**

(54) **SOCCER BALL BOTTLE**

FOREIGN PATENT DOCUMENTS

(71) Applicant: **Iondration, LLC**, Rockwall, TX (US)

CL 201102365-0001 * 2/2012

(72) Inventor: **Antoine Hood, II**, Rockwall, TX (US)

CN 201330476083 * 4/2014

(73) Assignee: **Iondration, LLC**, Rockwall, TX (US)

CN 303214410 * 5/2015

CN 201530233760 * 1/2016

CN 201630297162 * 10/2016

CN 304128065 * 5/2017

(**) Term: **15 Years**

(Continued)

(21) Appl. No.: **29/878,062**

OTHER PUBLICATIONS

(22) Filed: **Jun. 15, 2023**

Maccabi Soccer Ball Water Bottle_Amazon, [date first available: Jul. 21, 2020], [date found online: Aug. 3, 2024], <https://www.amazon.com/Collapsible-Silicone-Soccer-Water-Bottle/dp/B08DDHM9NB?th=1> (Year: 2020).*

(51) **LOC (15) Cl.** **09-01**

(52) **U.S. Cl.**

USPC **D9/668**; D9/540

(Continued)

(58) **Field of Classification Search**

USPC D9/600, 601, 668, 516, 540, 543, 548,
D9/549, 551, 553, 572, 575, 563, 564,
D9/612; D7/301, 514, 515, 516, 613,
D7/901; D3/270, 271.1, 271.9

CPC B65D 5/4258; B65D 81/60; B65D 81/365;
B65D 81/366; B65D 81/368; B65D
2203/00; B65D 2203/02

See application file for complete search history.

Primary Examiner — Shawn T Gingrich

Assistant Examiner — Katherine E Morris

(74) *Attorney, Agent, or Firm* — Sheri Higgins Law,
PLLC; Sheri Higgins

(57)

CLAIM

The ornamental design for a soccer ball bottle, as shown and described.

(56) **References Cited**

DESCRIPTION

U.S. PATENT DOCUMENTS

D136,888 S	*	12/1943	Ganson	D24/197
D288,127 S	*	2/1987	Simmons	D7/901
D419,058 S	*	1/2000	Roth	D7/901
D517,422 S	*	3/2006	Cella	D9/668
D592,070 S	*	5/2009	Lepoitevin	D9/519
D619,904 S	*	7/2010	Ciucciomei	D9/668
D670,571 S	*	11/2012	Bourguignon	D9/668
D691,896 S	*	10/2013	Martin	D9/668
D739,259 S	*	9/2015	Sanders	D9/519
D762,482 S	*	8/2016	Giles	D9/539
D970,348 S	*	11/2022	Marra	D9/519
2015/0259114 A1	*	9/2015	Tussy	B65D 81/365 206/457

FIG. 1 is a perspective view of a soccer ball bottle showing my new design.

FIG. 2 is a left side view thereof, wherein the right side view is a mirror image.

FIG. 3 is a front view thereof.

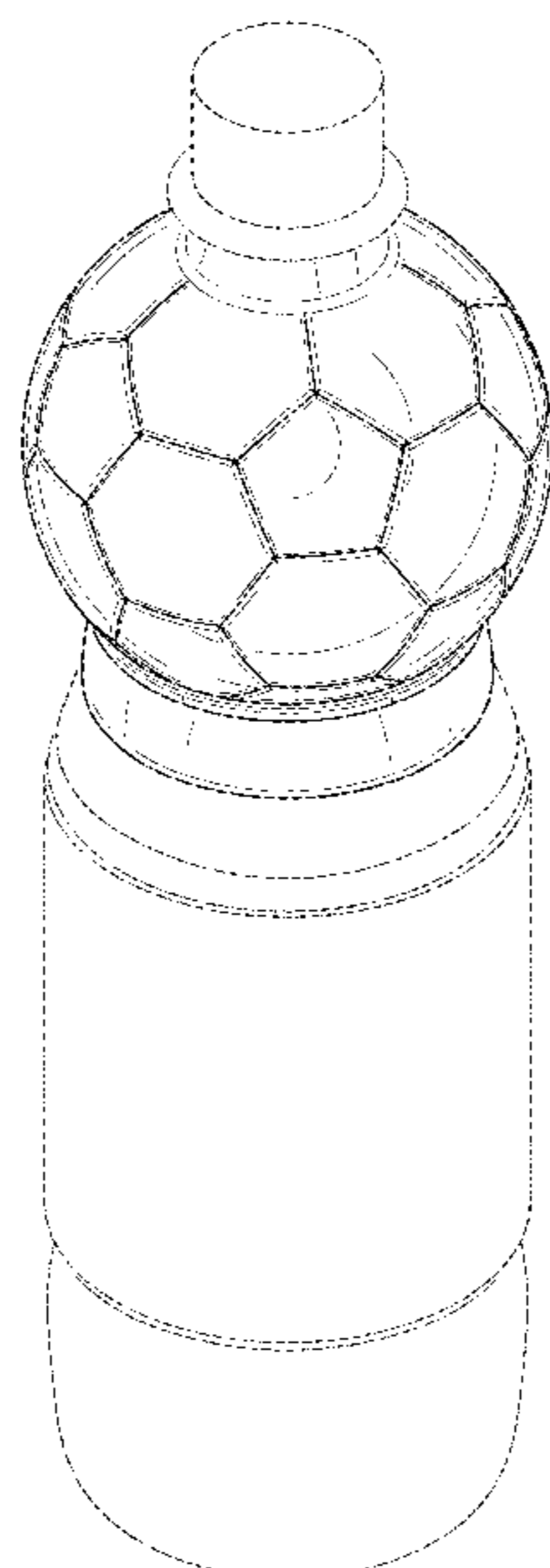
FIG. 4 is a back view thereof.

FIG. 5 is a top view thereof; and,

FIG. 6 is a bottom view thereof.

The broken lines shown in the drawings depict portions of the soccer ball bottle that form no part of the claimed design.

1 Claim, 5 Drawing Sheets



(56)

References Cited

FOREIGN PATENT DOCUMENTS

CN	304841876	* 10/2018
CN	306899170	* 10/2021
CN	307696287	* 11/2022
CN	308057700	* 5/2023
CN	308249211	* 9/2023
CN	308399927	* 12/2023

OTHER PUBLICATIONS

20oz Sports Freezer_gimmees, [date first available: Apr. 5, 2011], [date found online: Aug. 13, 2024], <https://www.gimmees.com/detail.asp?pnum=8214> (Year: 2011).*

Football-shaped water bottle_IDS Group Ukrainer _Flickr, [date posted: May 14, 2012], [date found online: Aug. 6, 2024], <https://www.flickr.com/photos/foodbev/7194559536> (Year: 2012).*

Football Ball Soccer Ball Empty Clear Shape Glass Bottle_Etsy, [date first available (from a review): Oct. 19, 2023], [date found online: Aug. 13, 2024], https://www.etsy.com/listing/1409790612/football-ball-soccer-ball-empty-clear?gpla=1&gao=1&&utm_source=google&utm_medium=cpc&utm (Year: 2023).*

* cited by examiner

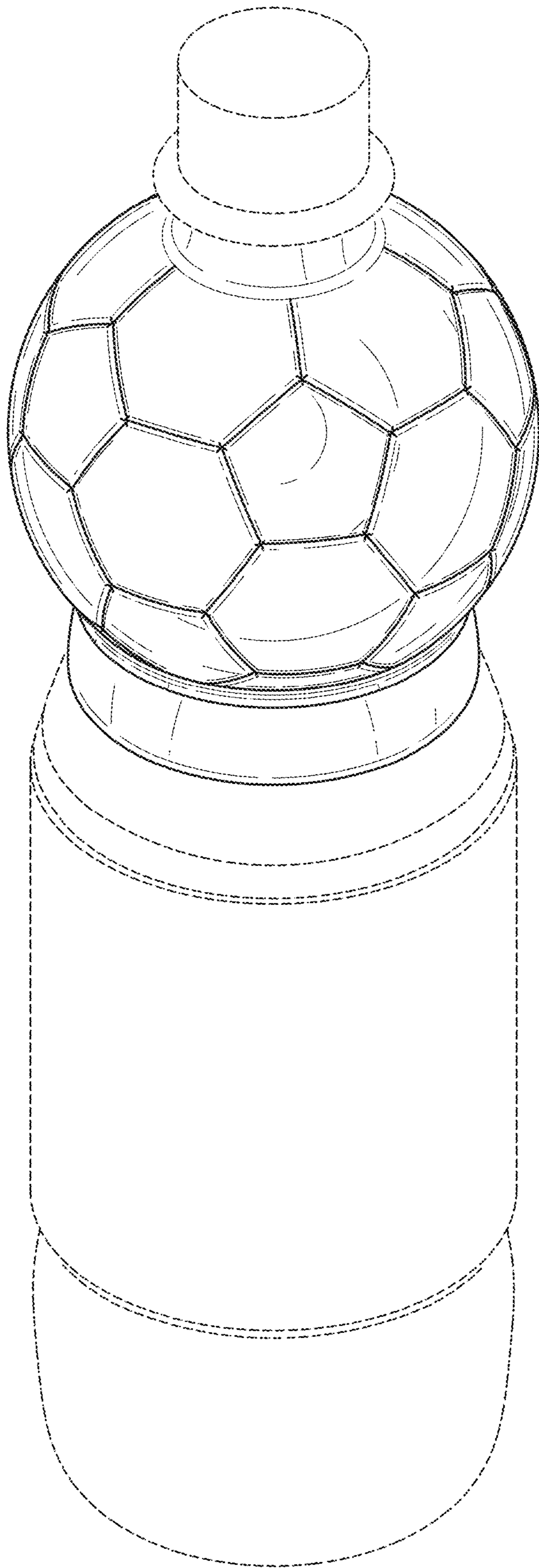


FIG. 1

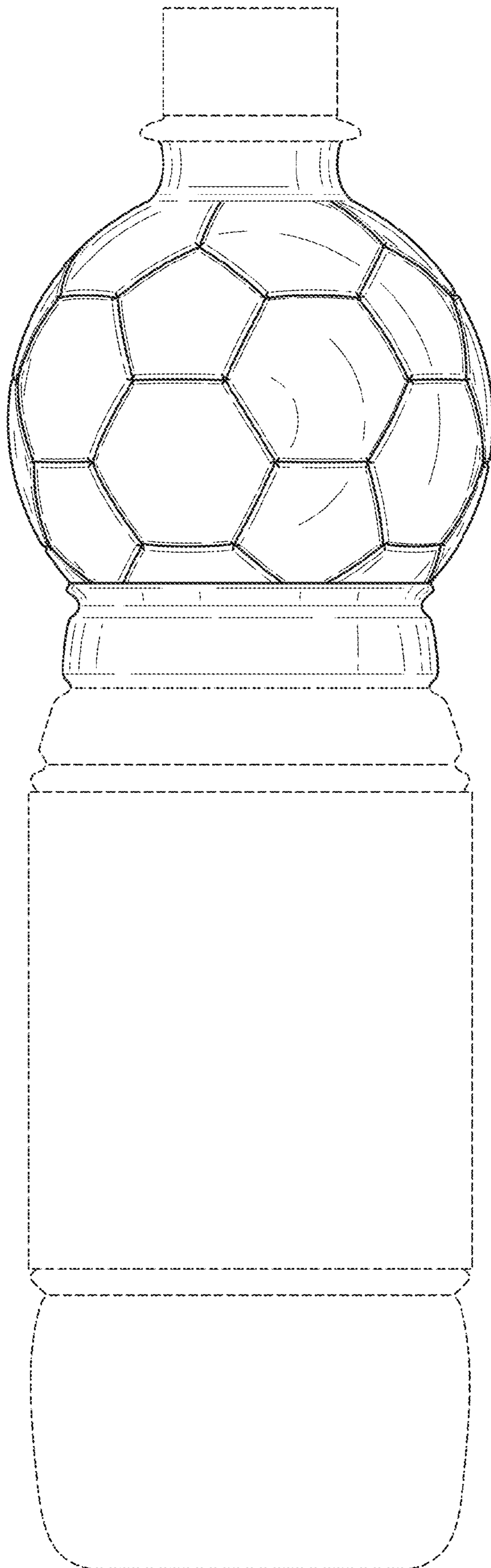


FIG. 2

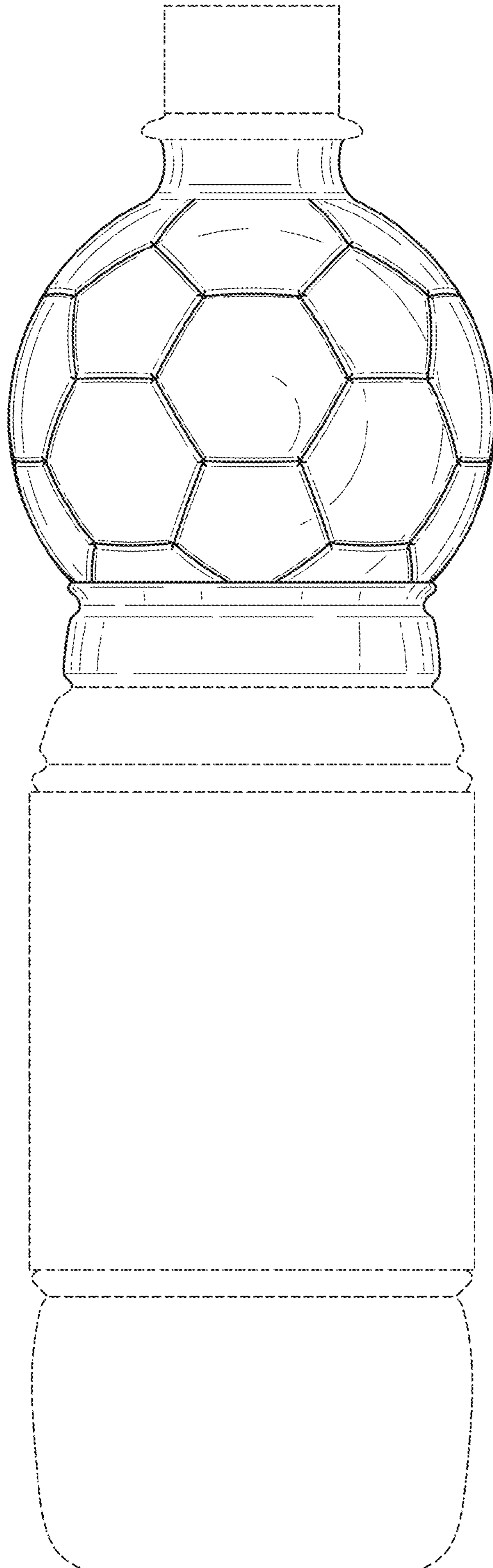


FIG. 3

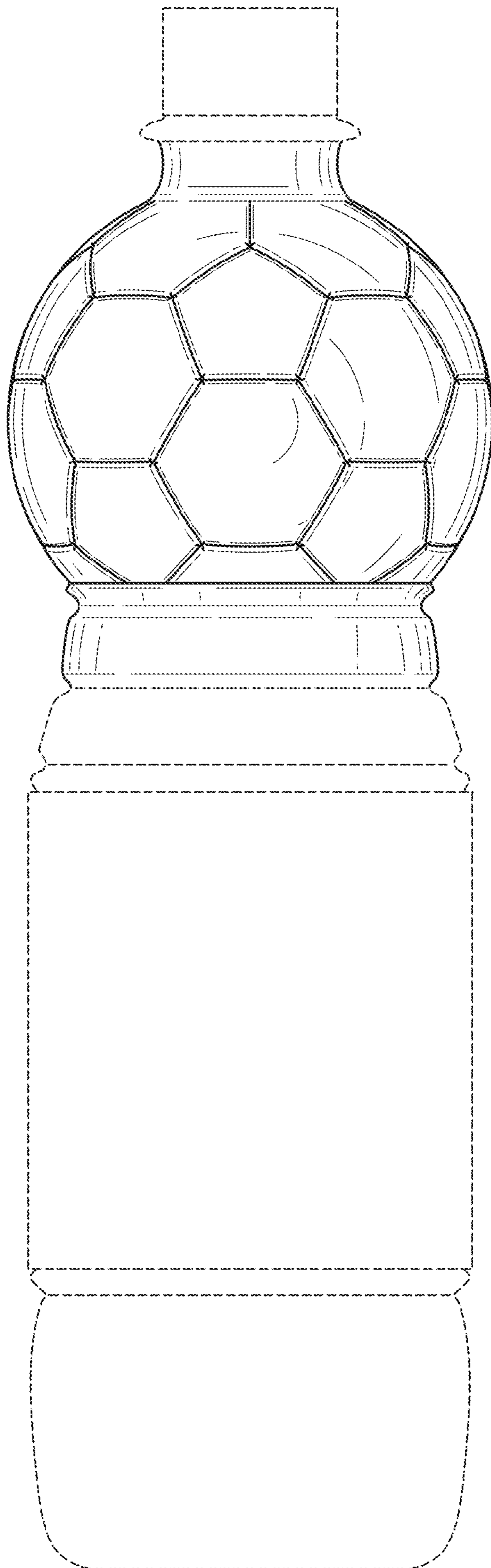


FIG. 4

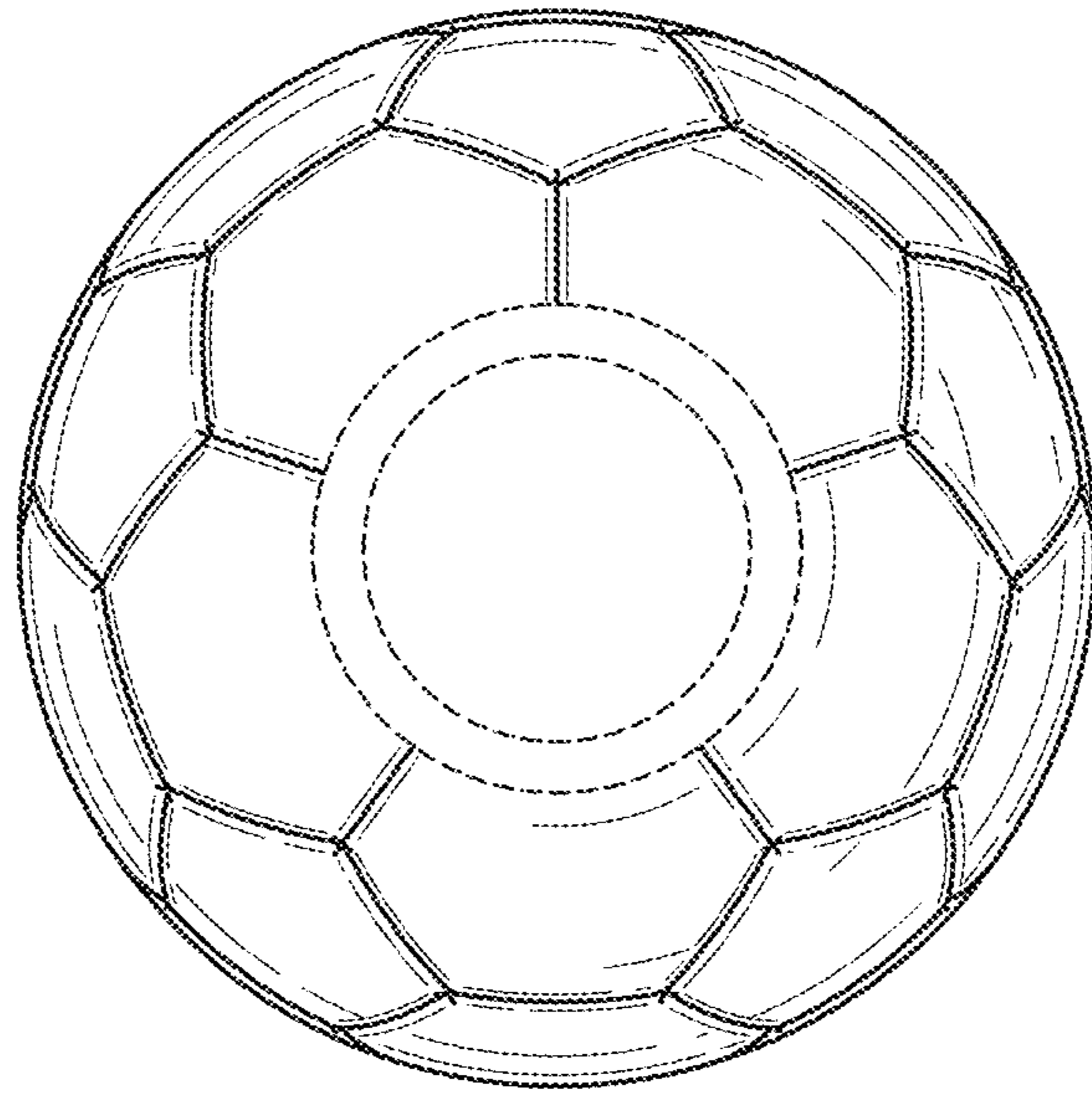


FIG. 5

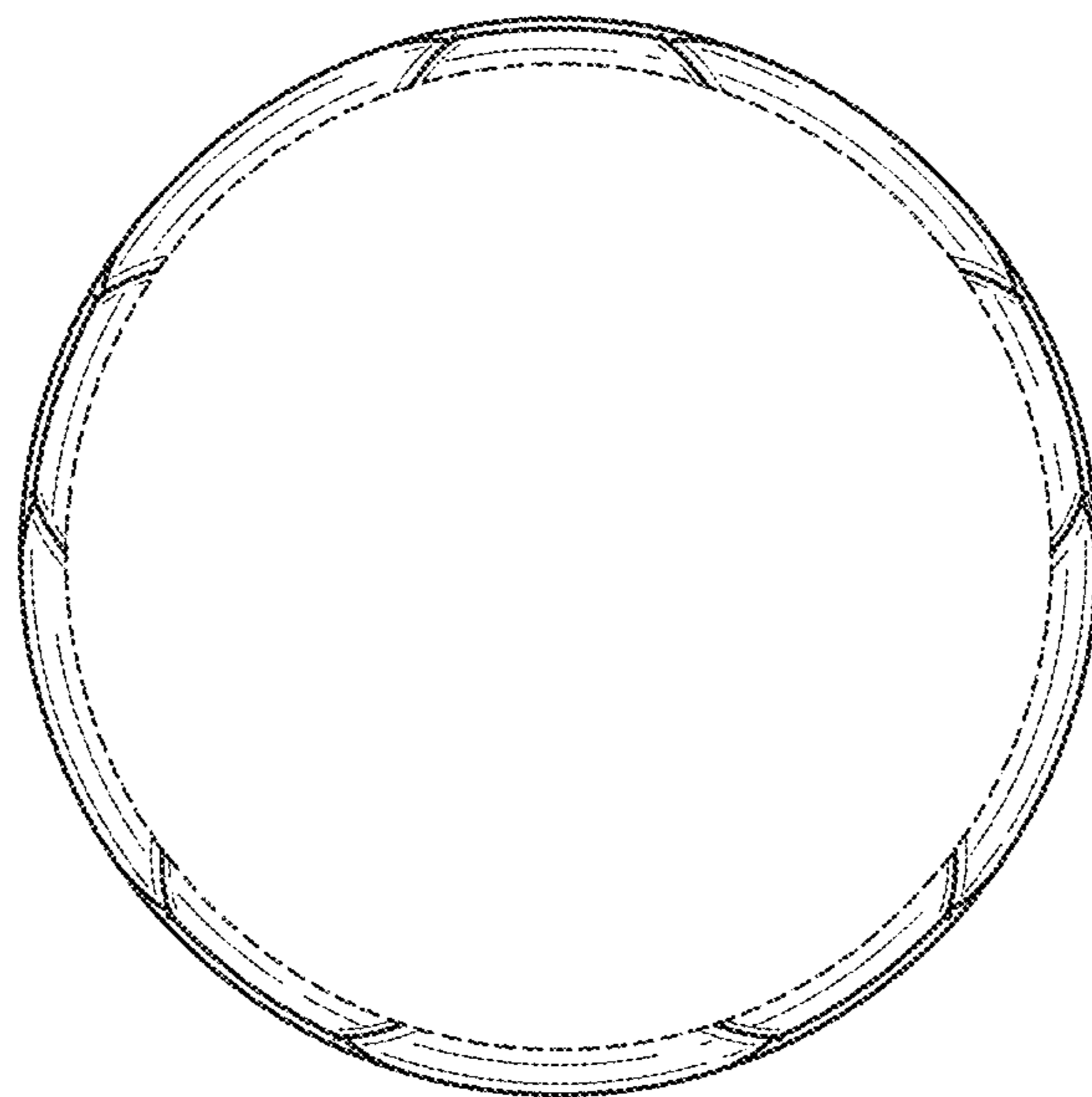


FIG. 6