



US0D1080247S

(12) **United States Design Patent**
Johnson et al.

(10) **Patent No.: US D1,080,247 S**

(45) **Date of Patent: ** *Jun. 24, 2025**

(54) **SANITIZER DISPENSER**

(71) Applicants: **Robert F. Johnson**, Arlington, TX
(US); **Jamie Moore**, Arlington, TX
(US)

(72) Inventors: **Robert F. Johnson**, Arlington, TX
(US); **Jamie Moore**, Arlington, TX
(US)

(*) Notice: This patent is subject to a terminal disclaimer.

(**) Term: **15 Years**

(21) Appl. No.: **29/804,529**

(22) Filed: **Aug. 20, 2021**

Related U.S. Application Data

(63) Continuation-in-part of application No. 16/412,490, filed on May 15, 2019, now abandoned.

(51) **LOC (15) Cl.** **23-08**

(52) **U.S. Cl.**
USPC **D6/542**

(58) **Field of Classification Search**
USPC D6/542, 512, 513, 515, 545, 543, 396,
D6/518, 519; D7/300, 306, 313, 397;
D9/734; D23/208; D24/217
CPC A47K 5/00; A47K 5/12; B67D 3/0029;
A47B 81/007; A47F 9/04; F25D
2331/806; Y10T 225/238; A47G 619/183;
B65D 35/56; B65D 51/249; F16M 13/02;
A61G 7/0503; A61G 7/047; G08B
21/245; G16H 40/20

See application file for complete search history.

(56) **References Cited**

U.S. PATENT DOCUMENTS

D338,585 S * 8/1993 Bell D6/545
D343,751 S * 2/1994 Bell D6/545

D345,664 S * 4/1994 Brandenburg D6/545
D345,877 S * 4/1994 Brandenburg D6/545
5,445,288 A * 8/1995 Banks B05B 11/1087
222/105
D387,931 S * 12/1997 Chen D6/545
D416,417 S * 11/1999 Ross D6/545
D418,344 S * 1/2000 De Winter D6/545
D479,422 S * 9/2003 Ciavarella D6/545
D530,125 S * 10/2006 Vignot D6/545
7,201,295 B1 * 4/2007 Sitzberger A47K 5/1207
137/853
D579,250 S * 10/2008 Cittadino D6/545
D629,236 S * 12/2010 Weststrate D6/545
D629,237 S * 12/2010 Boshuizen D6/545
D655,962 S * 3/2012 Cittadino D6/545
D735,490 S * 8/2015 Lewis D6/545
D775,853 S * 1/2017 Bing D6/545
D801,079 S * 10/2017 Indruk D6/545
D801,722 S * 11/2017 Indruk D6/545

(Continued)

Primary Examiner — Nathan M Johnston

(74) *Attorney, Agent, or Firm* — LEAVITT &
ELDREDGE; Richard Eldredge

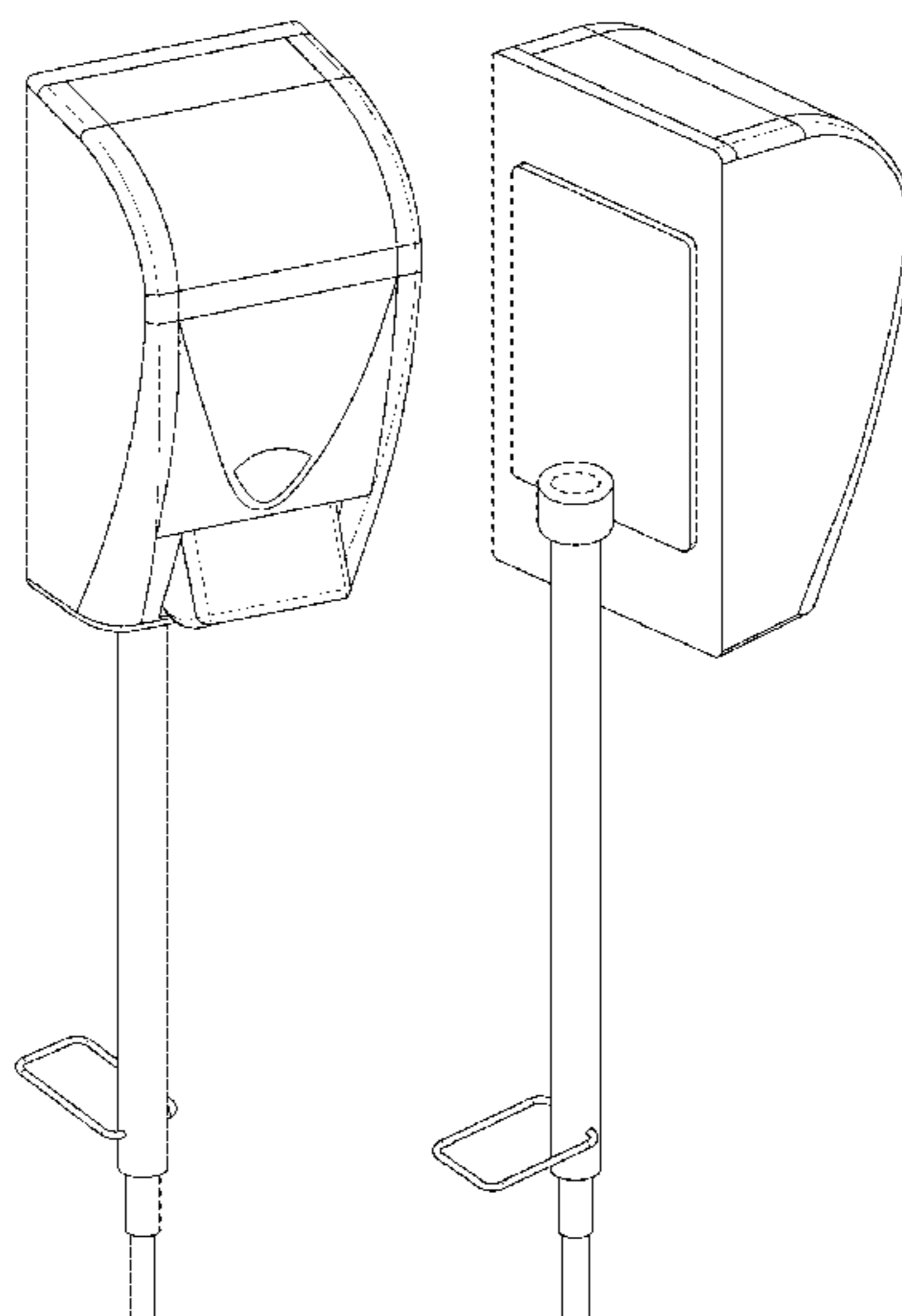
(57) **CLAIM**

The ornamental design for a sanitizer dispenser, as shown and described.

DESCRIPTION

FIG. 1 is an isometric view of a sanitizer dispenser in accordance with the present application.
FIG. 2 is a back isometric view of the sanitizer dispenser.
FIG. 3 is a front view of the sanitizer dispenser.
FIG. 4 is a back side view of the sanitizer dispenser.
FIG. 5 is a first side view of the sanitizer dispenser.
FIG. 6 is a second side view of the sanitizer dispenser.
FIG. 7 is a top view of the sanitizer dispenser.
The broken lines show portions of the sanitizer dispenser that form no part of the claimed design.

1 Claim, 7 Drawing Sheets



(56)

References Cited

U.S. PATENT DOCUMENTS

D815,457 S *	4/2018	Moore	D6/545
D820,615 S *	6/2018	Santoro	D6/545
D831,377 S *	10/2018	Blick	D6/545
D871,102 S *	12/2019	Hsu	D6/545
D901,931 S *	11/2020	Reilly	D6/542
2009/0266929 A1 *	10/2009	Friesen	A47K 10/3687 242/560
2012/0111895 A1 *	5/2012	Fitzpatrick	A47K 5/1209 222/181.3

* cited by examiner

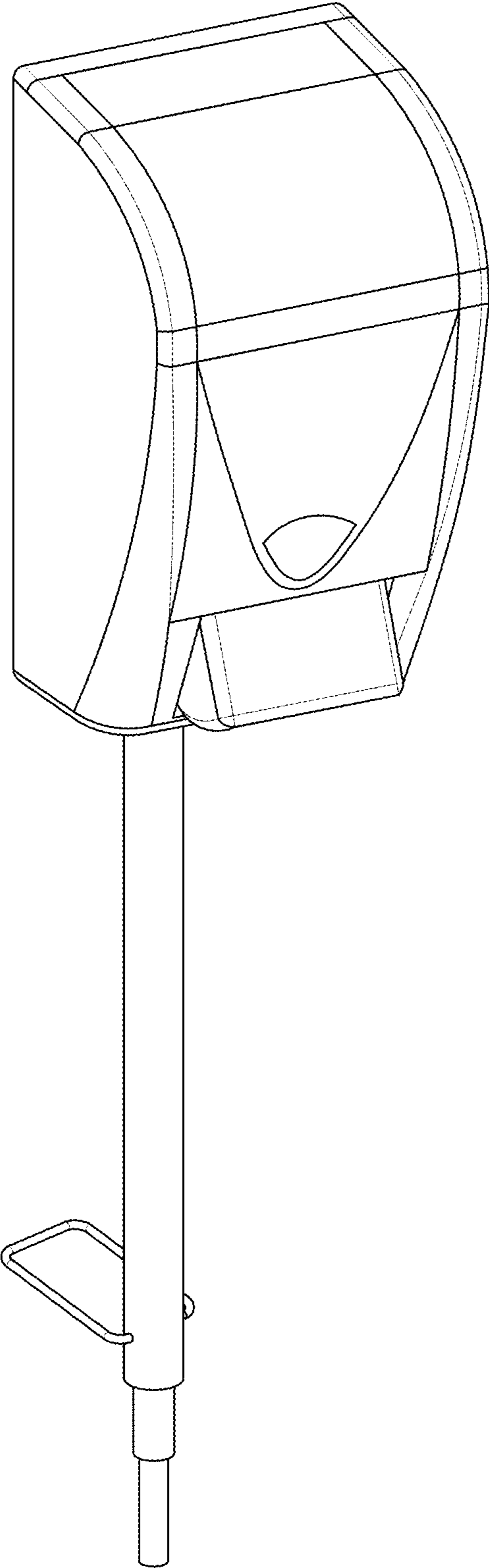


FIG. 1

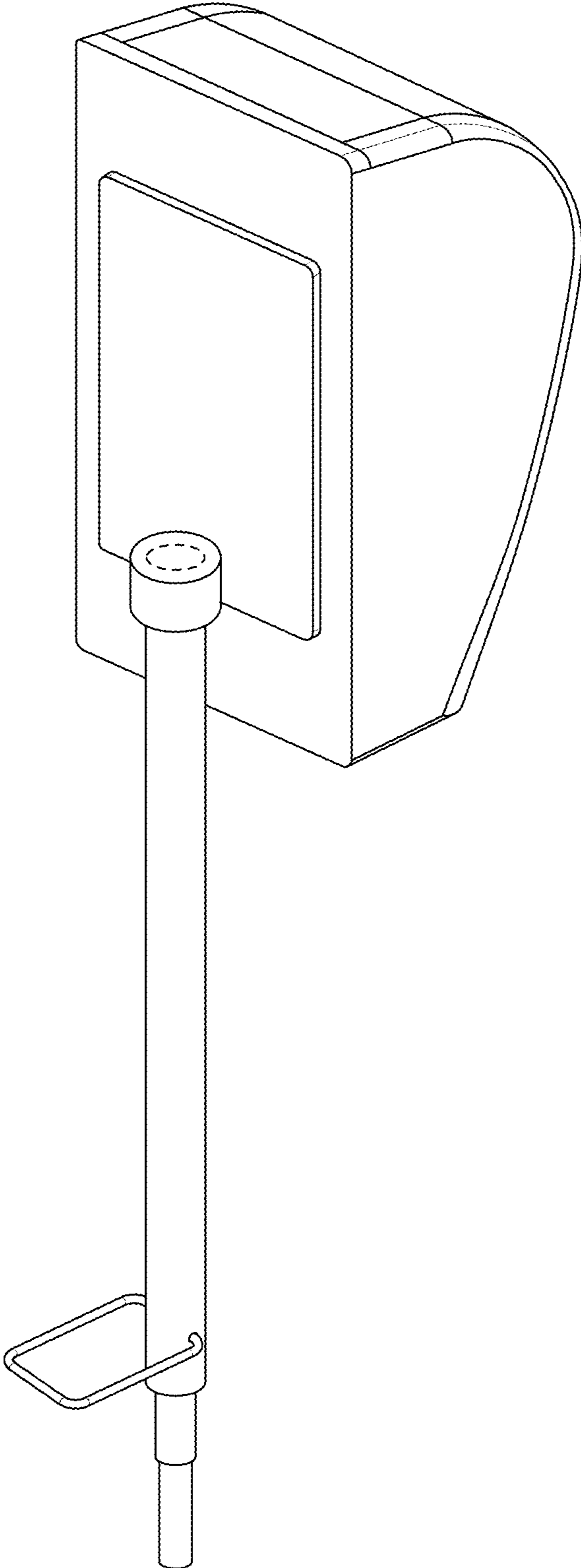


FIG. 2

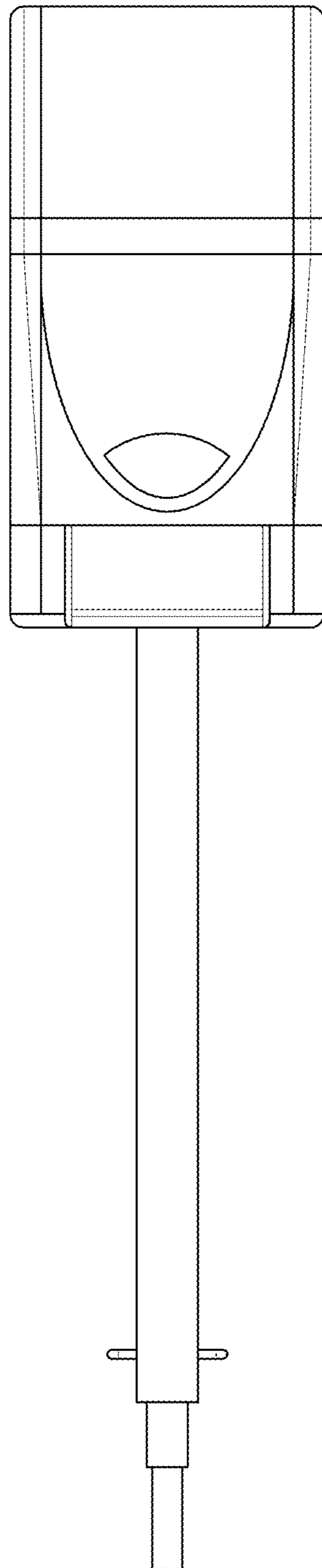


FIG. 3

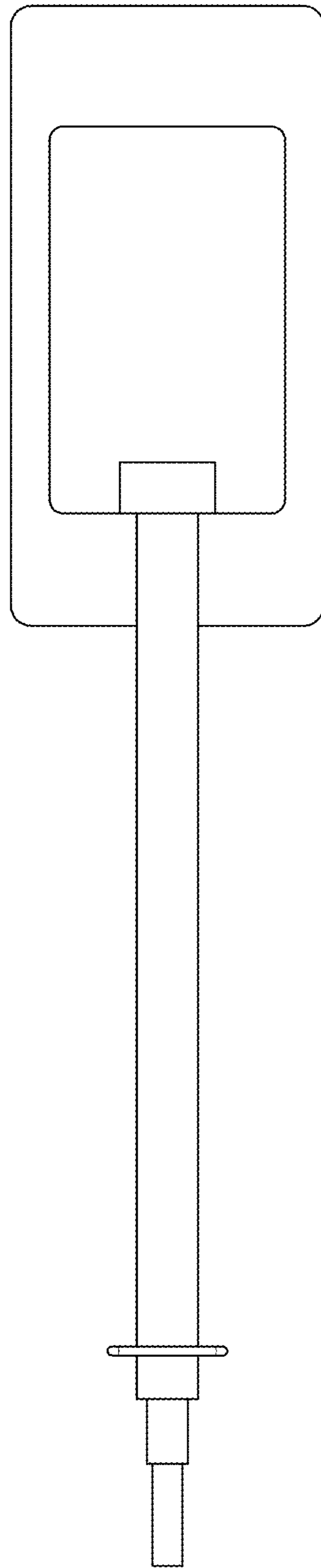


FIG. 4

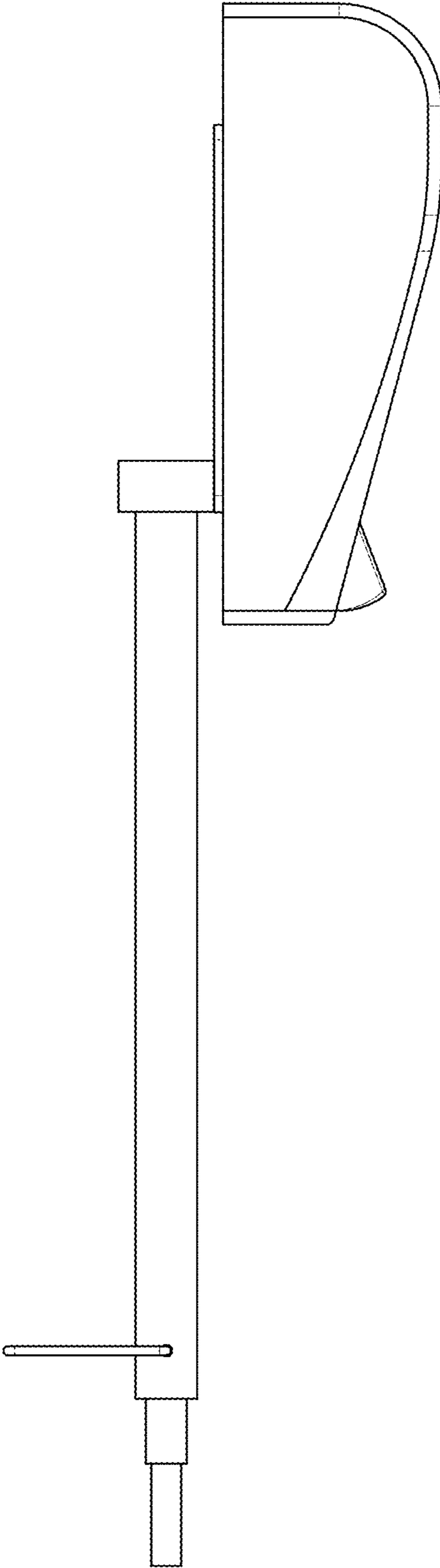


FIG. 5

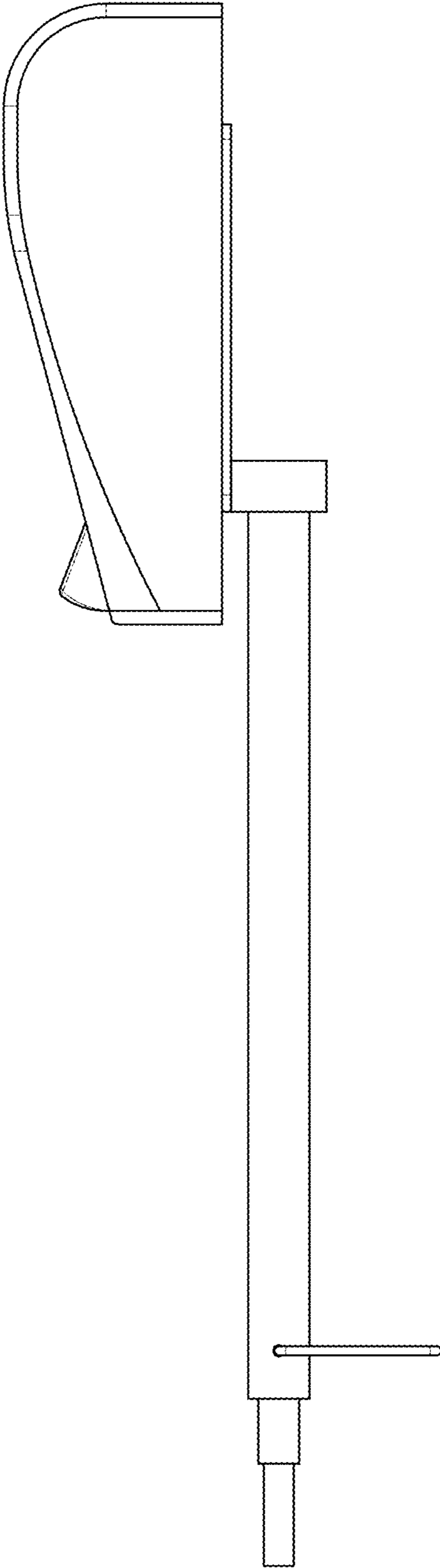


FIG. 6

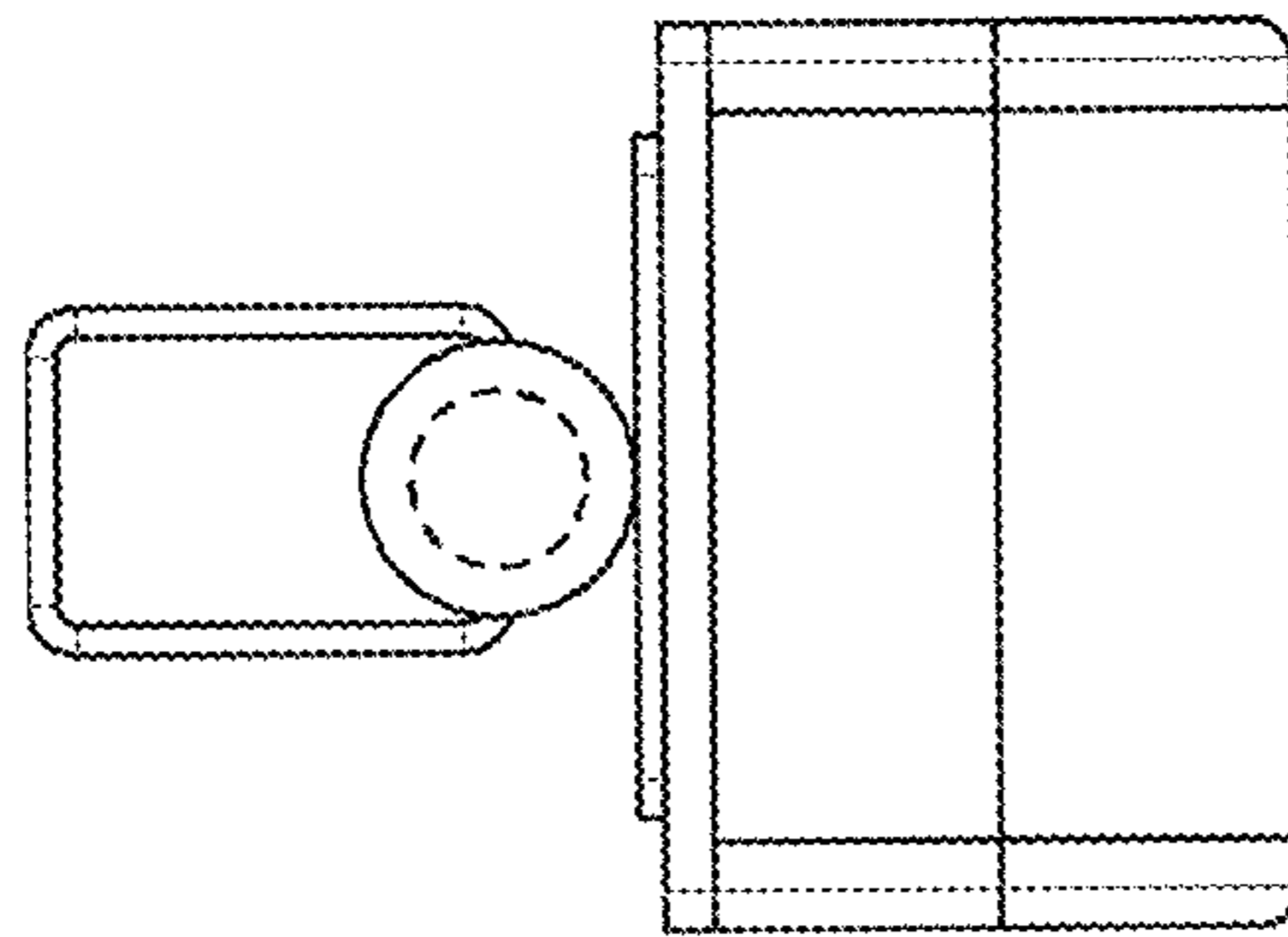


FIG. 7