



US0D1079767S

(12) **United States Design Patent** (10) **Patent No.:** **US D1,079,767 S**
Myers et al. (45) **Date of Patent:** **** Jun. 17, 2025**

(54) **CONTAINER ASSEMBLY FOR FORMING PORTIONED FROZEN PRODUCTS**

F25D 17/062; F25D 2317/067; F25D 2323/021; F25D 2700/04; F25D 17/04; F25D 23/02; F25D 23/087; F25D 2317/041; F25D 2327/00; F25D (Continued)

(71) Applicant: **Ceres Chill Co.**, Bainbridge Island, WA (US)

(72) Inventors: **Elizabeth Joy Myers**, Bainbridge Island, WA (US); **Kurt Gauss**, Spokane, WA (US)

(56) **References Cited**

U.S. PATENT DOCUMENTS

(73) Assignee: **CERES CHILL CO.**, Bainbridge Island, WA (US)

D730,954 S * 6/2015 Choi D15/89
D788,190 S * 5/2017 Kim D15/89
(Continued)

(**) Term: **15 Years**

Primary Examiner — Khawaja Anwar

(21) Appl. No.: **29/872,359**

(74) *Attorney, Agent, or Firm* — Perkins Coie LLP

(22) Filed: **Mar. 10, 2023**

(57) **CLAIM**

(51) **LOC (15) Cl.** **15-07**

The ornamental design for a container assembly for forming portioned frozen products, as shown and described.

(52) **U.S. Cl.**

USPC **D15/89**

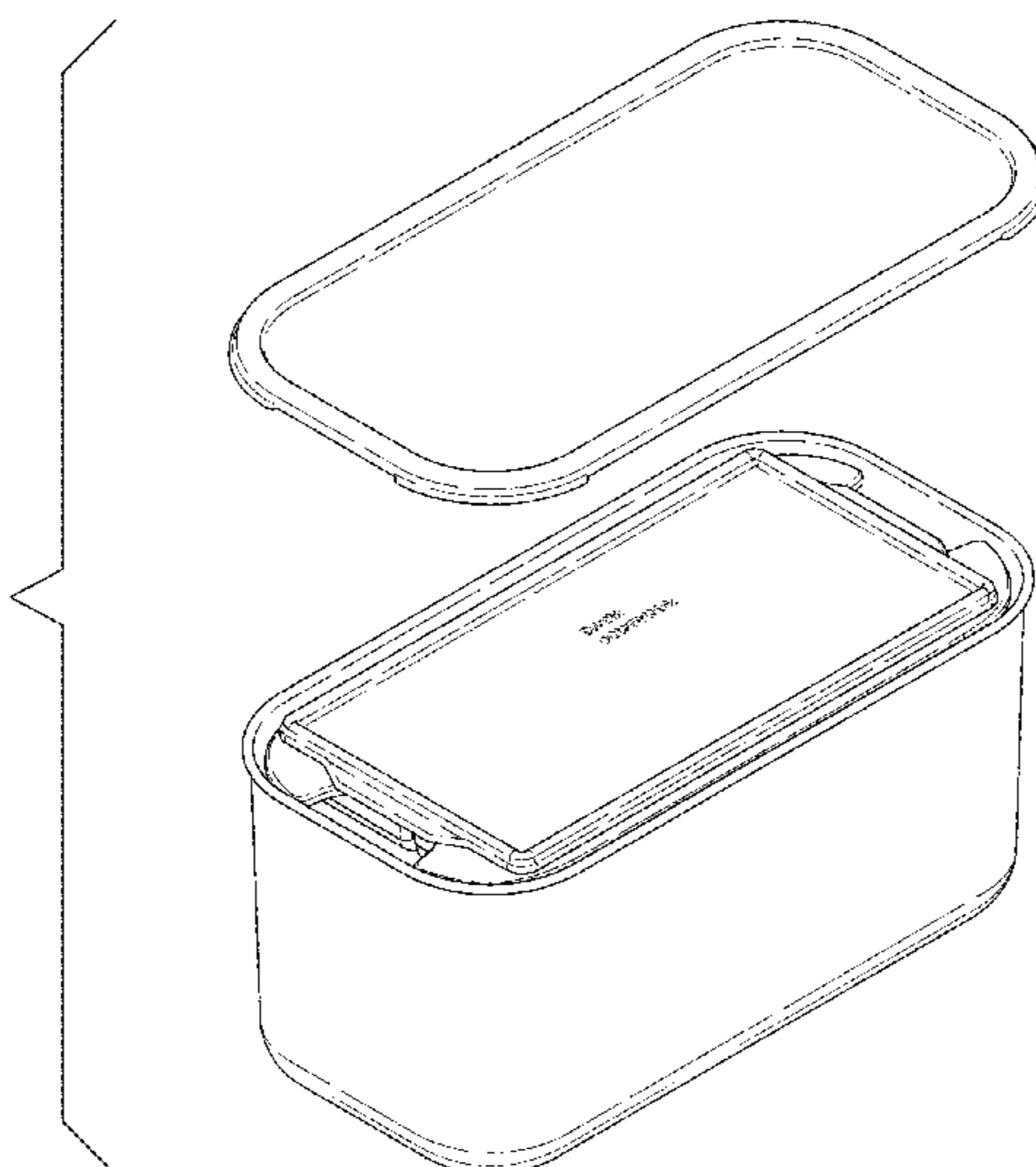
DESCRIPTION

(58) **Field of Classification Search**

USPC D15/79-91
CPC .. F25D 25/02; F25D 2325/022; F25D 25/024; F25D 2325/023; F25D 2325/021; F25D 2331/803; F25D 23/067; F25D 2331/809; F25D 2500/02; F25D 25/04; F25D 25/027; F25D 27/00; F25D 25/021; F25D 25/025; F25D 2400/22; F25D 2400/40; F25D 23/04; F25D 27/005; F25D 23/028; F25D 2331/805; F25D 25/00; F25D 25/028; F25D 23/00; F25D 17/042; F25D 29/00; F25D 11/00; F25D 23/126; F25D 2331/807; F25D 29/008; F25D 29/005; F25D 2400/06; F25D 23/025; F25D 2323/122; F25D 2400/36; F25D 25/005; F25D 2700/02; F25D 2500/06; F25D 23/069; F25D 2600/02; F25D 17/045; F25D 23/062; F25D 23/12; F25D 23/023; F25D 2400/04; F25D 11/02; F25D 17/065; F25D 21/14; F25D 2317/061; F25D 2331/81; F25D 2400/32; F25D 2700/06; F25D 29/003; F25D 31/007;

FIG. 1 is a perspective view of a container assembly for forming portioned frozen products showing the new design with a detached from a container.
FIG. 2 is a side view thereof.
FIG. 3 is a front view thereof.
FIG. 4 is a top view thereof.
FIG. 5 is a perspective view of the container assembly with the lid attached to the container.
FIG. 6 is a side view thereof.
FIG. 7 is a front view thereof.
FIG. 8 is a top view thereof.
FIG. 9 is a bottom view thereof.
FIG. 10 is an exploded perspective view of the container assembly.
FIG. 11 is a side view thereof.
FIG. 12 is a front view thereof; and,
FIG. 13 is a bottom perspective view thereof.
The details shown in broken lines illustrate features that form no part of the claimed design.

1 Claim, 10 Drawing Sheets



(58) **Field of Classification Search**

CPC 2400/18; F25D 25/022; F25D 2700/08;
 F25D 17/06; F25D 17/08; F25D 23/006;
 F25D 2323/02; F25D 13/00; F25D
 23/065; F25D 2325/00; F25D 2327/001;
 F25D 2400/08; F25D 2400/16; F25D
 2400/361; F25D 2201/00; F25D 23/003;
 F25D 23/10; F25D 2317/04131; F25D
 2317/0415; F25D 2317/063; F25D
 2321/1441; F25D 2700/12; F25D 29/006;
 F25D 17/067; F25D 21/08; F25D 23/021;
 F25D 23/061; F25D 23/066; F25D
 2317/0416; F25D 2317/0417; F25D
 2317/043; F25D 2317/0672; F25D
 2317/0681; F25D 2323/0024; F25D
 2323/022; F25D 2331/808; F25D
 2331/812; F25D 2400/28; F25D 2600/04;
 F25D 2700/123; F25D 3/04; F25D
 11/006; F25D 23/063; F25D 2317/066;
 F25D 2317/0665; F25D 2317/0682; F25D
 2317/0683; F25D 2321/144; F25D
 2323/023; F25D 2400/10; F25D 2400/12;
 F25D 2500/04; F25D 2600/00; F25D
 3/02; F25D 11/003; F25D 13/02; F25D
 21/04; F25D 21/125; F25D 2201/10;
 F25D 23/06; F25D 23/064; F25D
 2317/0411; F25D 2317/0413; F25D
 2317/062; F25D 2317/0653; F25D

2317/0661; F25D 2317/0664; F25D
 2323/024; F25D 2323/061; F25D
 2331/801; F25D 2331/804; F25D
 2400/38; F25D 2700/121; F25D
 2700/122; F25D 31/002; F25D 31/008;
 F25D 7/00; F25D 11/022; F25D 11/025;
 F25D 13/04; F25D 17/047; F25D 19/00;
 F25D 19/02; F25D 2201/128; F25D
 2201/14; F25D 23/082; F25D 23/085;
 F25D 23/123; F25D 2303/081; F25D
 2303/0831; F25D 2317/04; F25D
 2317/0654; F25D 2317/0655; F25D
 2317/068; F25D 2323/0011; F25D
 2331/8015; F25D 2400/14; F25D
 2400/20; F25D 2700/14; F25D 3/00;
 F25D 3/005; F25D 3/06; F25D 3/08

See application file for complete search history.

(56)

References Cited

U.S. PATENT DOCUMENTS

D790,609 S * 6/2017 Kim D15/89
 D944,872 S * 3/2022 Di-Rosa D15/89
 D954,765 S * 6/2022 Lee D15/89
 D1,006,842 S * 12/2023 Zhou D15/89
 2019/0293342 A1 * 9/2019 Butenhoff F25D 25/025

* cited by examiner

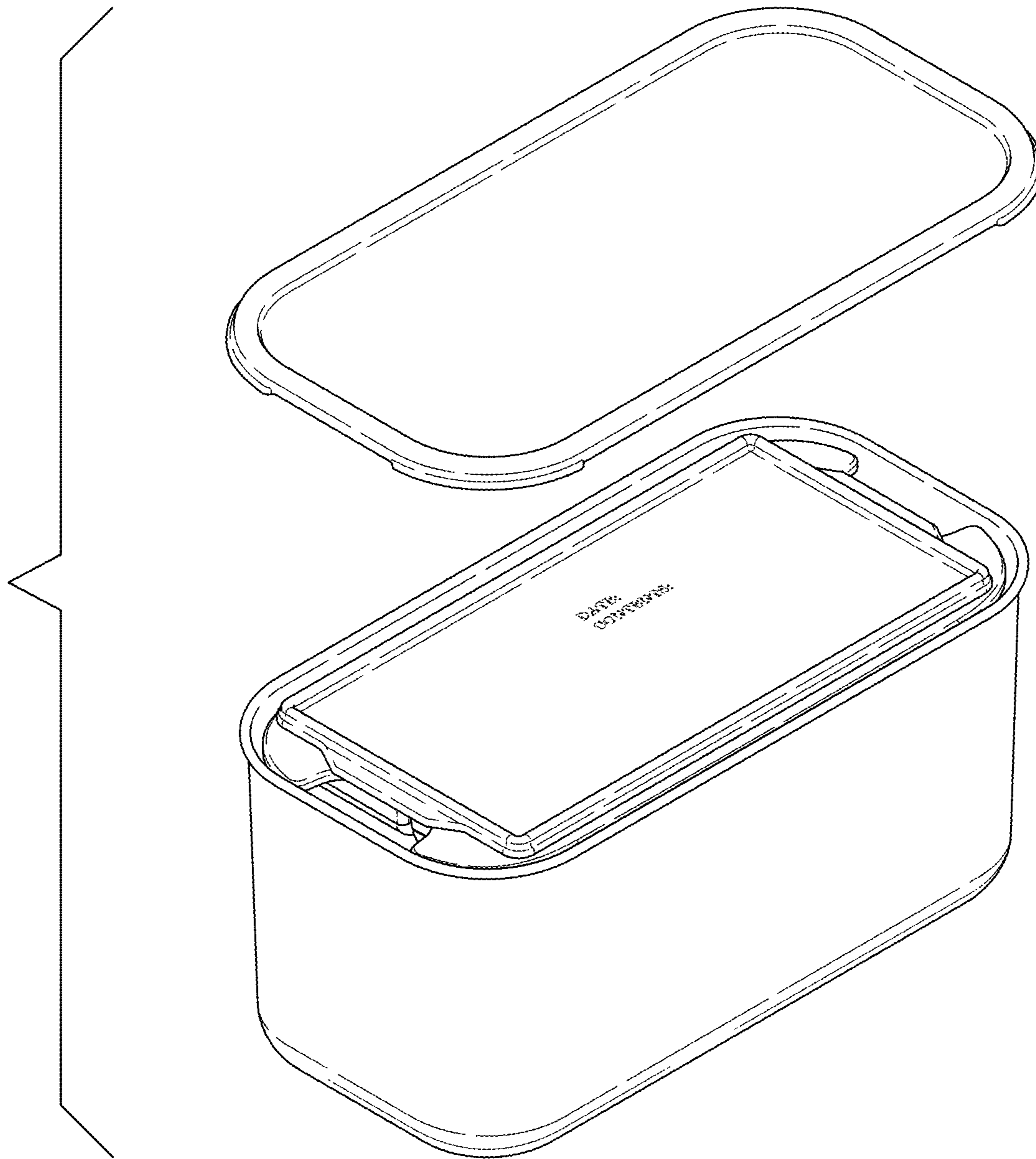


FIG. 1

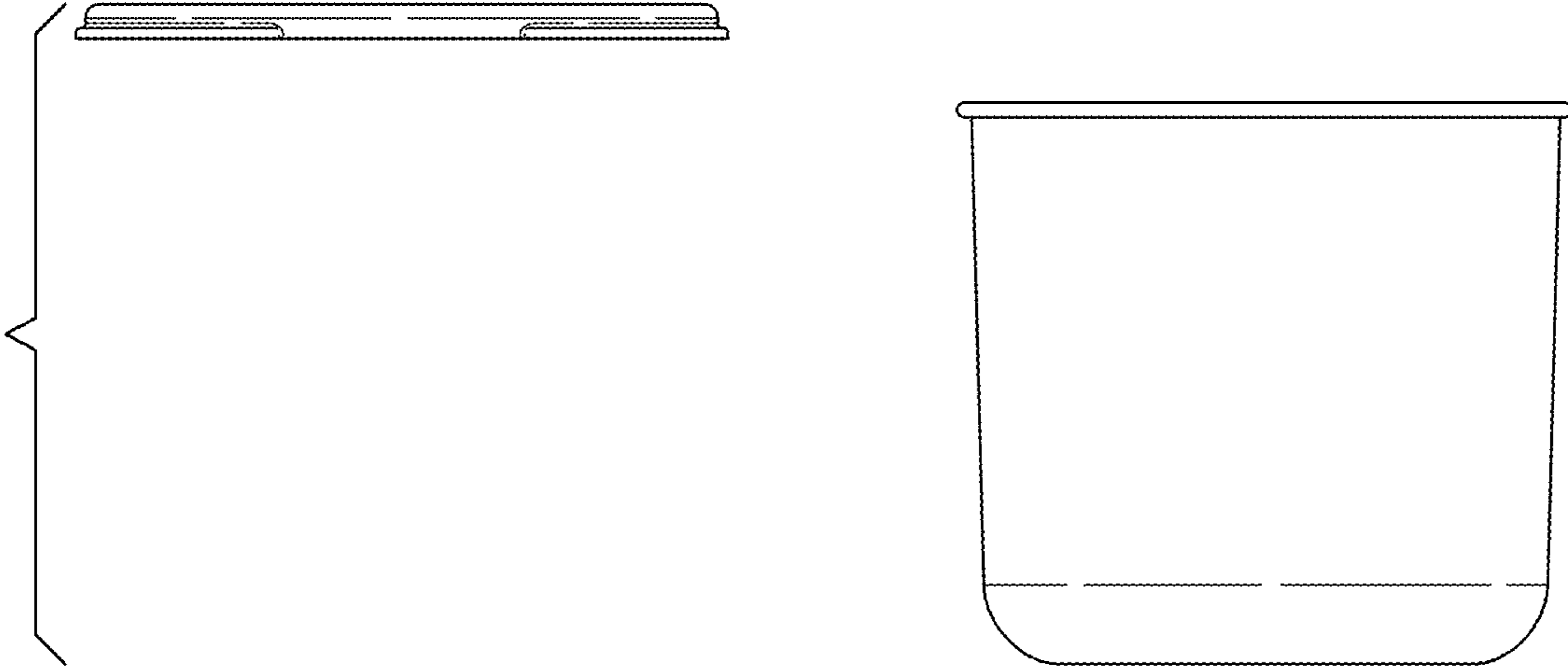


FIG. 2

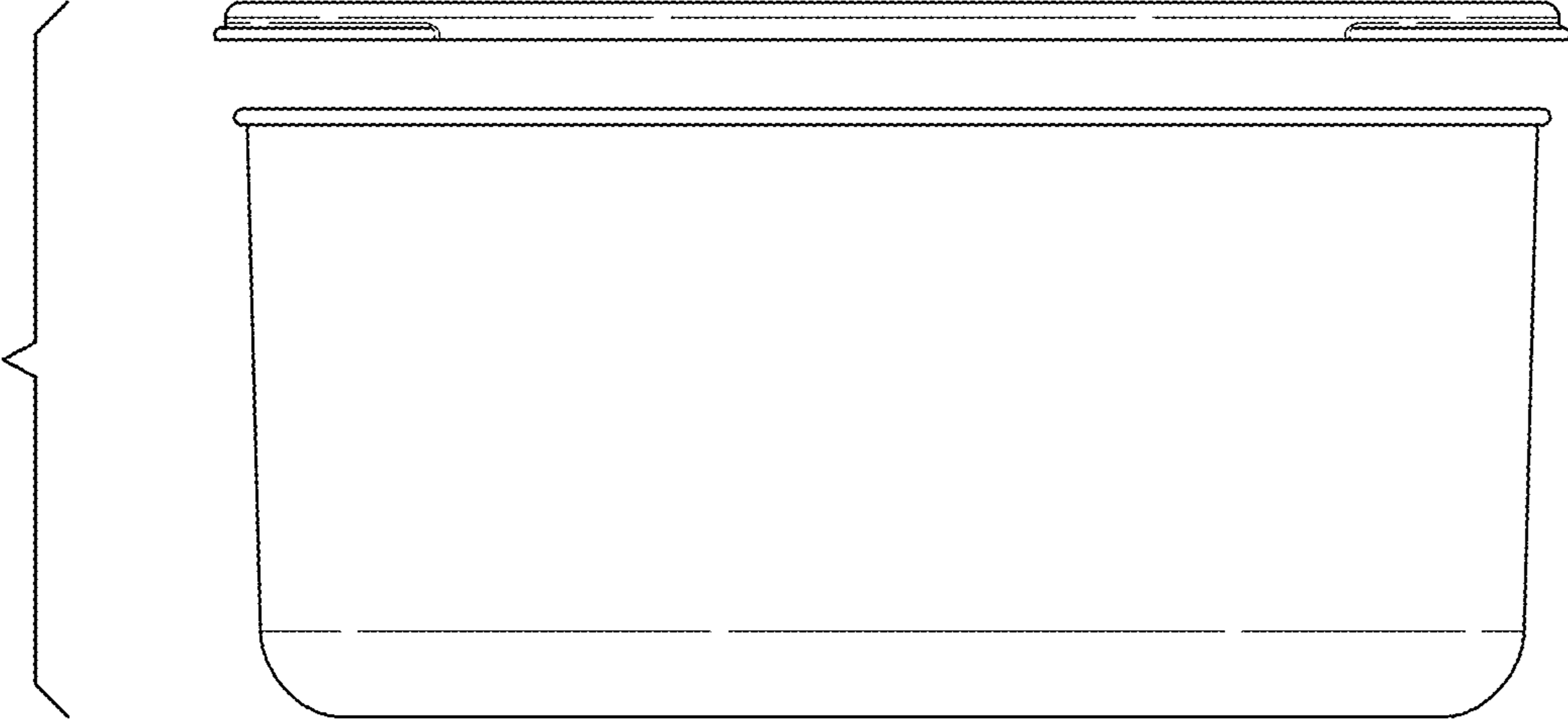


FIG. 3

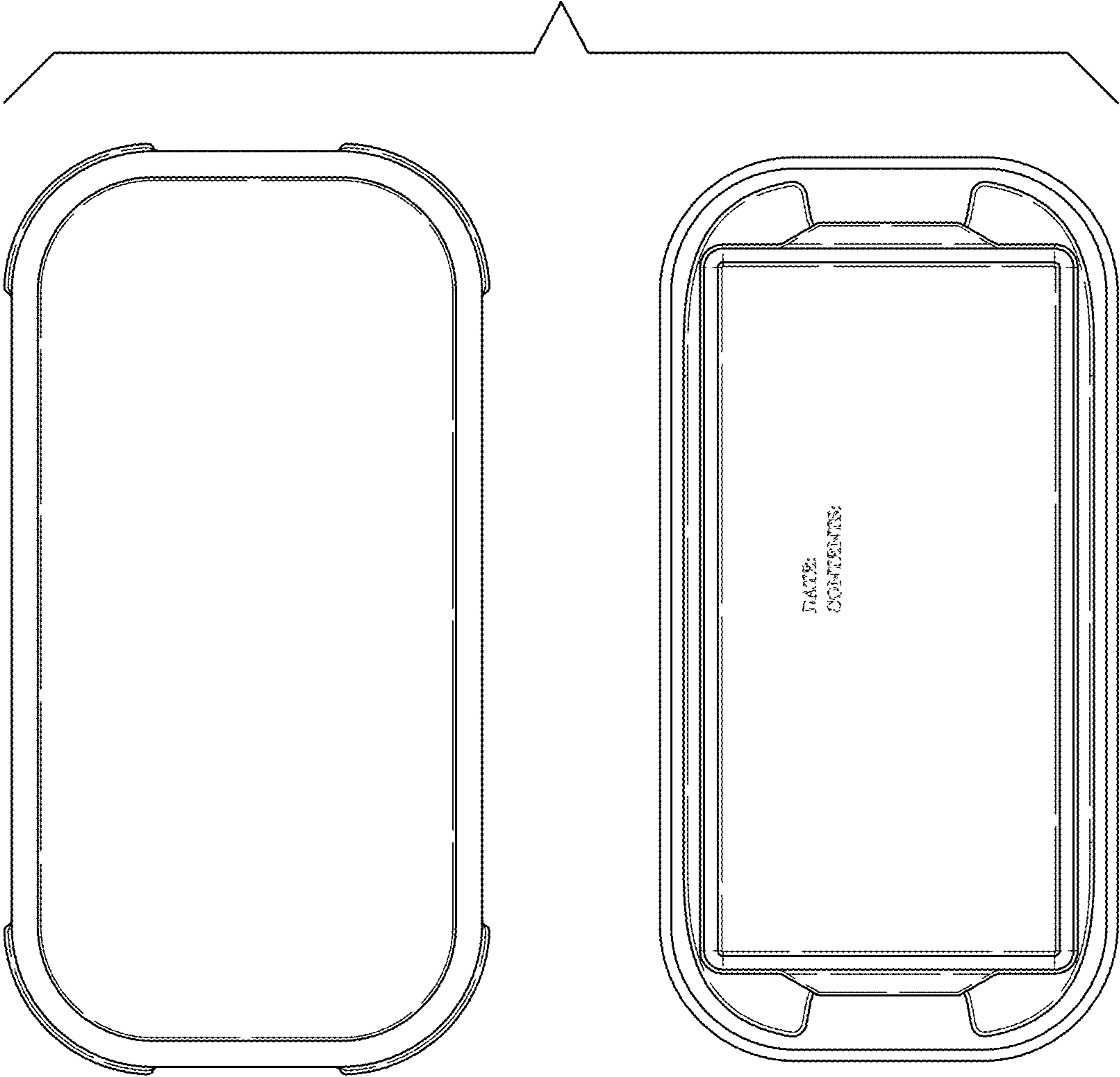


FIG. 4

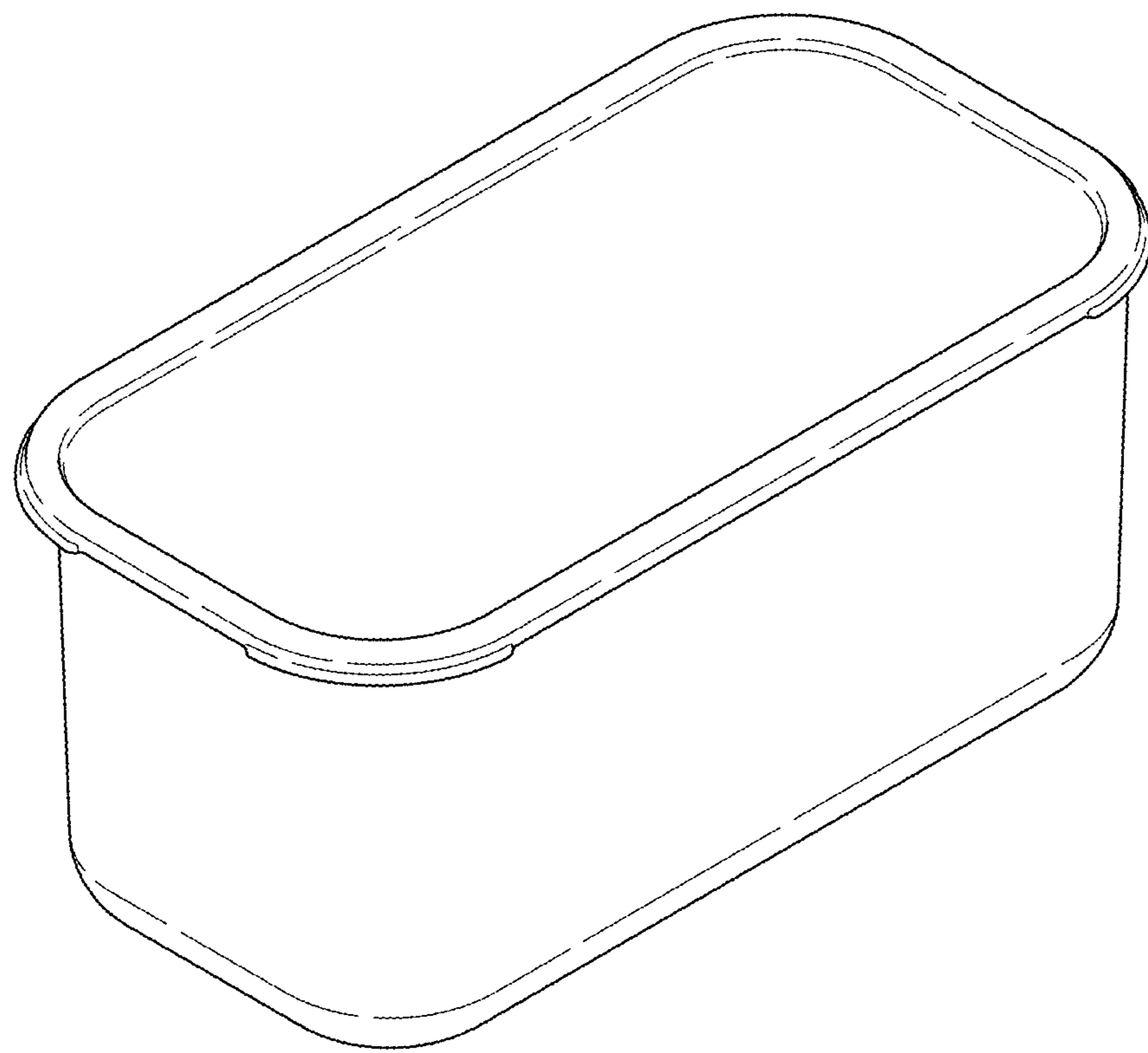


FIG. 5

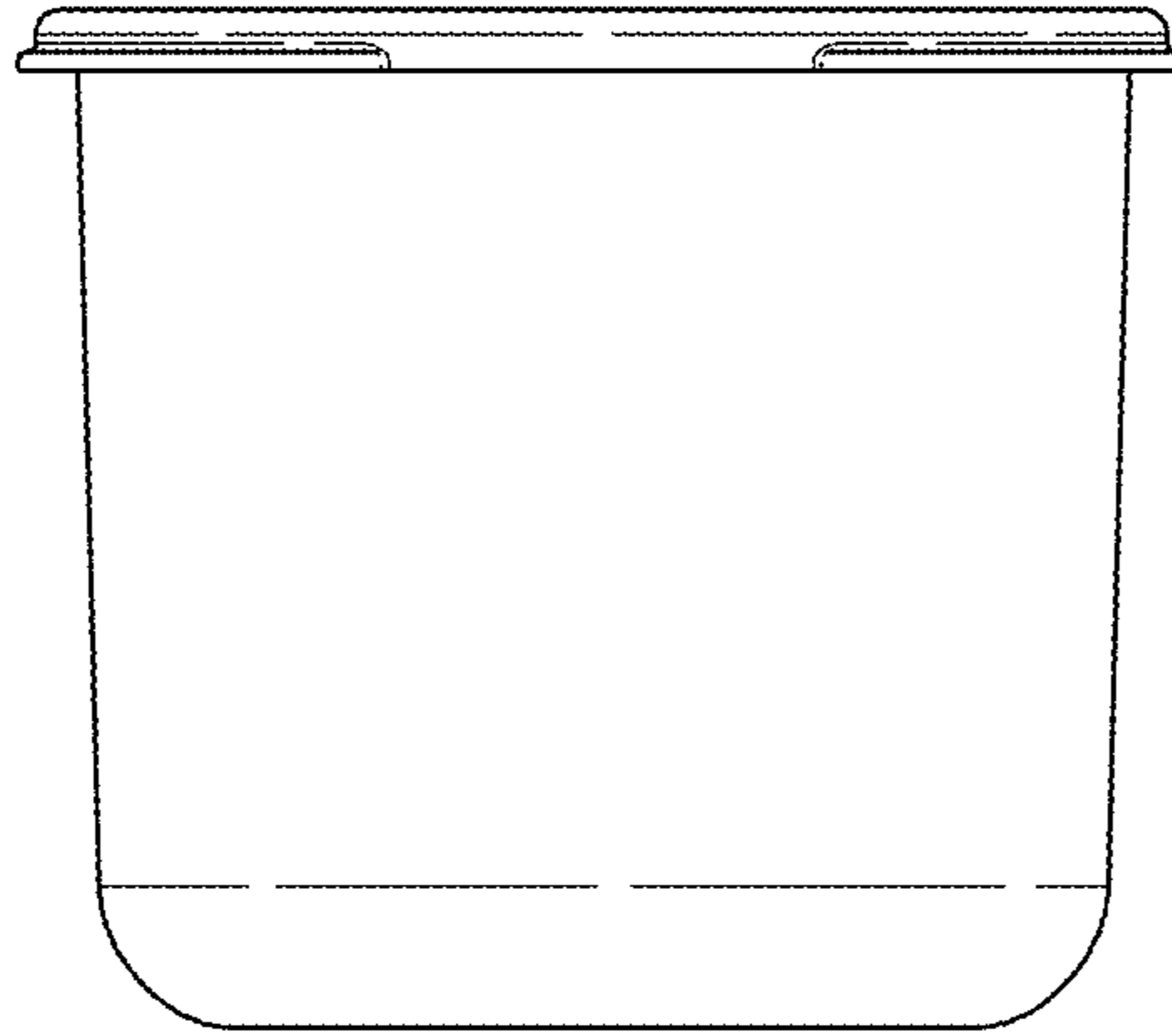


FIG. 6

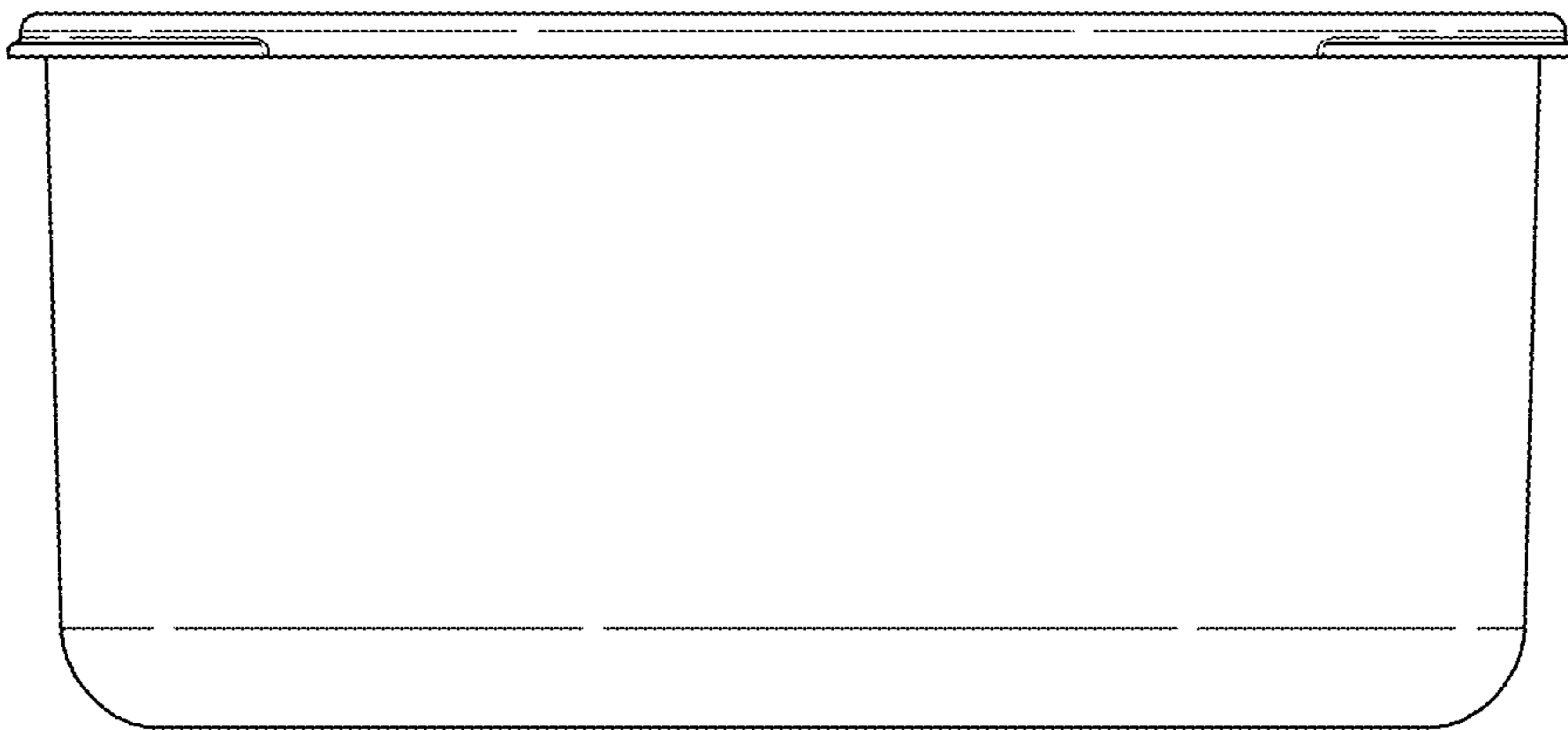


FIG. 7

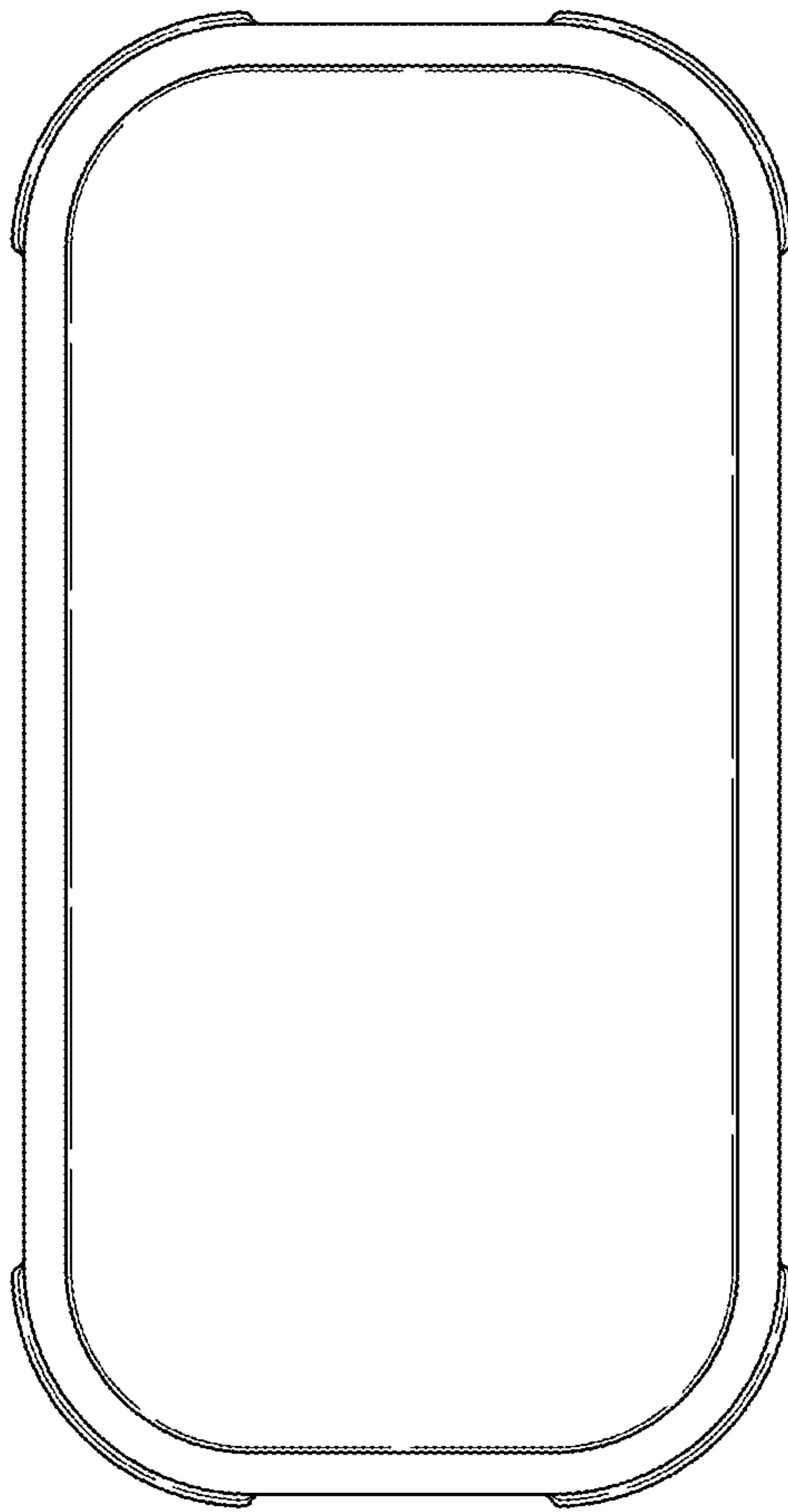


FIG. 8

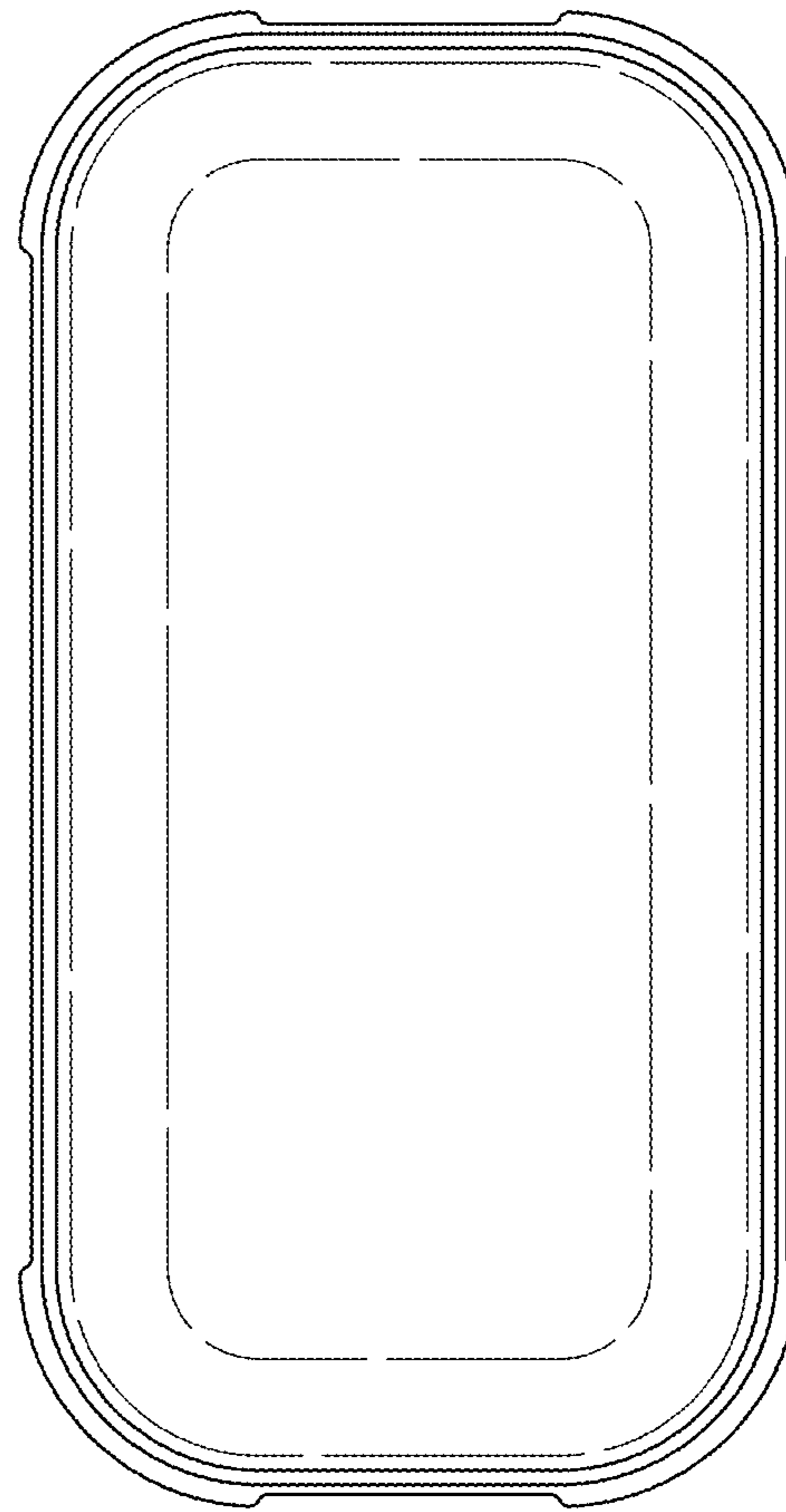


FIG. 9

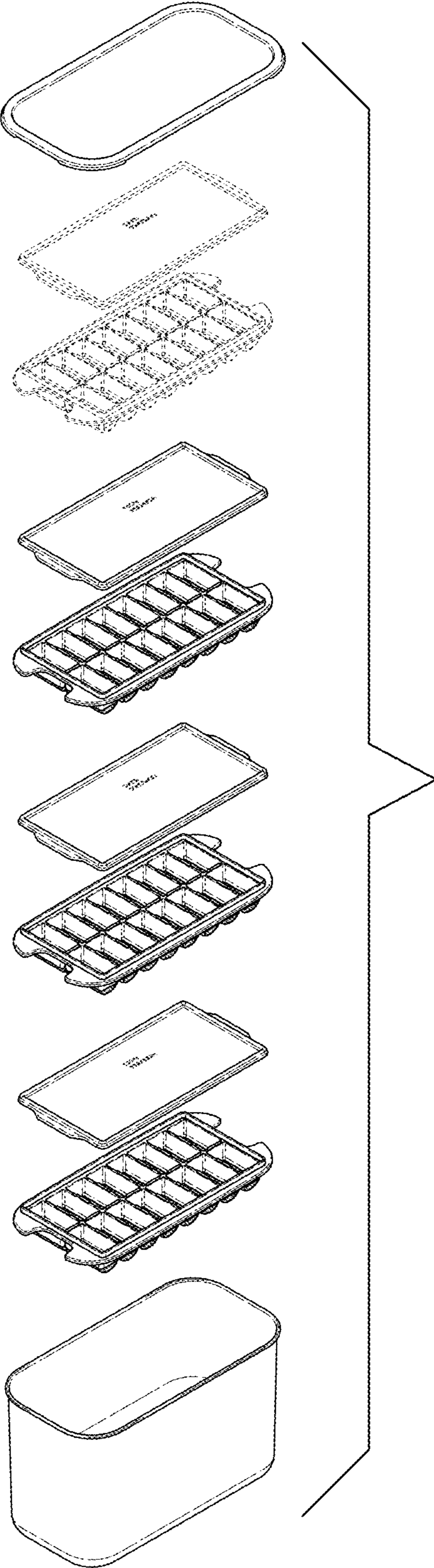


FIG. 10

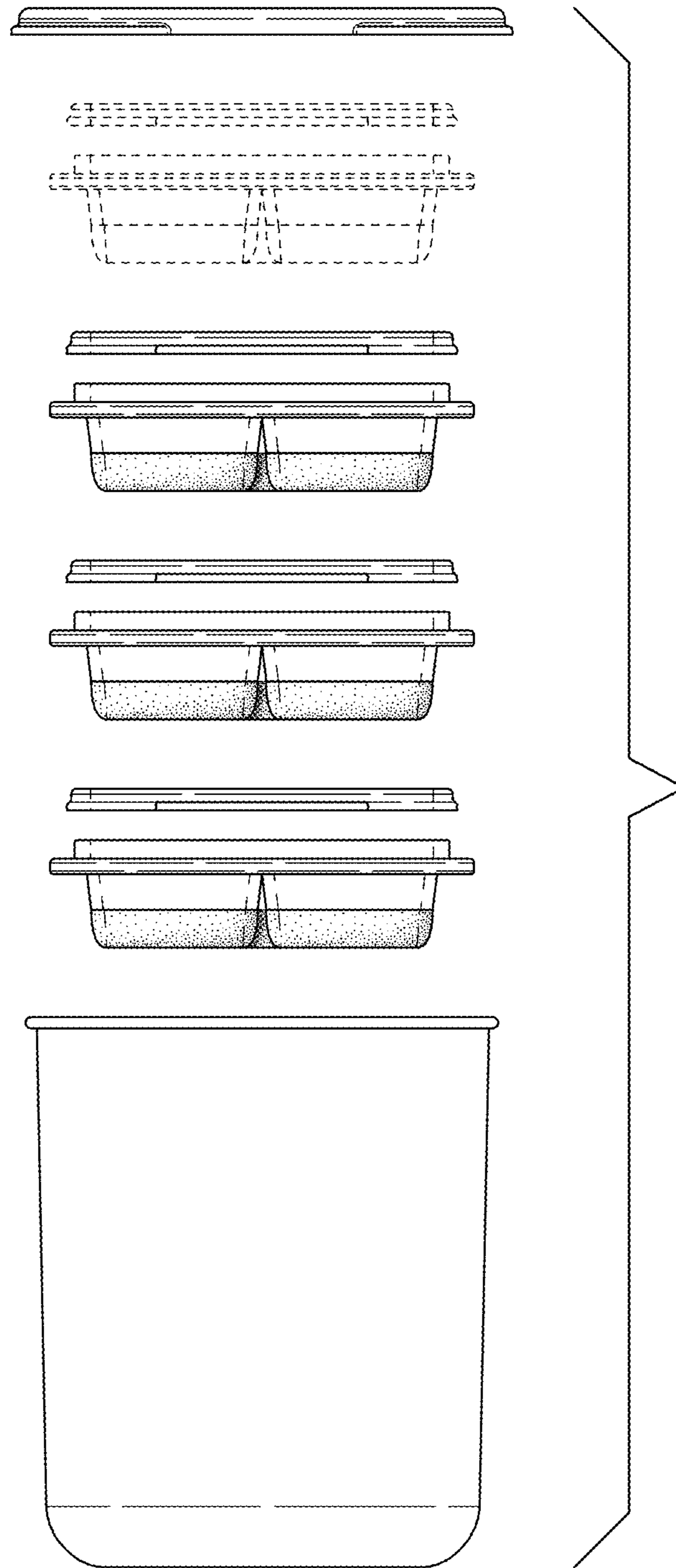


FIG. 11

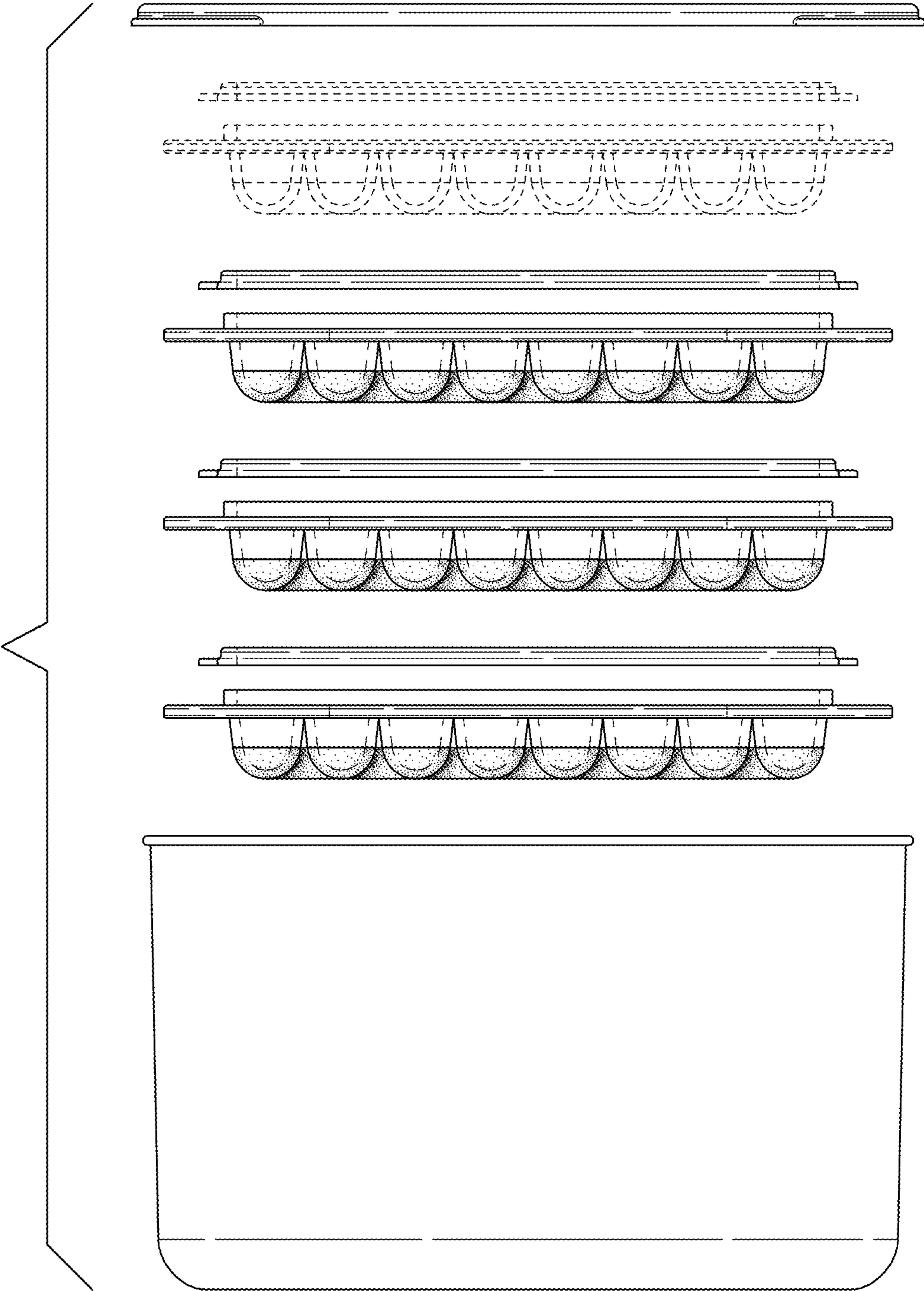


FIG. 12

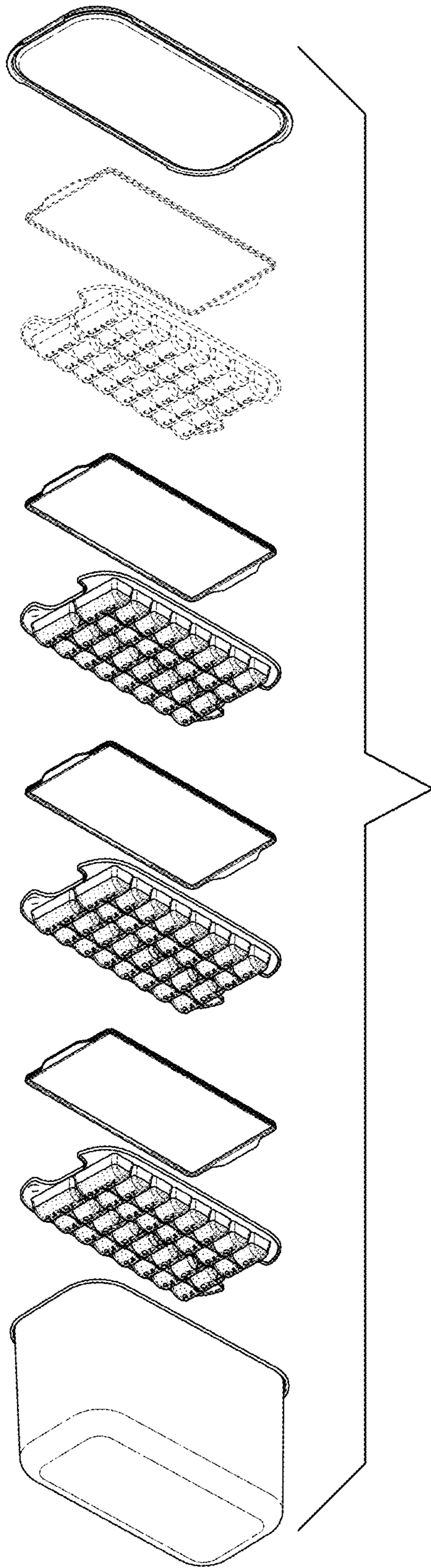


FIG. 13