



US0D1078464S

(12) **United States Design Patent**
Kennedy

(10) **Patent No.:** **US D1,078,464 S**

(45) **Date of Patent:** **** Jun. 10, 2025**

(54) **CLIP WITH LIGHT BULB SOCKET HOLDER**

(71) Applicant: **Canny Systems, LLC**, Mansfield, TX (US)

(72) Inventor: **Stacy L. Kennedy**, Mansfield, TX (US)

(73) Assignee: **Canny Systems, LLC**, Mansfield, TX (US)

(**) Term: **15 Years**

(21) Appl. No.: **29/861,784**

(22) Filed: **Dec. 2, 2022**

(51) **LOC (15) Cl.** **08-08**

(52) **U.S. Cl.**
USPC **D8/395**

(58) **Field of Classification Search**
USPC D8/354, 373, 380, 382, 394, 395, 396;
D21/840; D26/138
CPC F21S 4/10; F21V 21/088; F21V 21/0824;
F21V 21/08; F21V 19/00; F21W
2121/004; F21W 2121/00
See application file for complete search history.

(56) **References Cited**

U.S. PATENT DOCUMENTS

D285,287 S *	8/1986	Tannar	D9/434
D298,738 S *	11/1988	Rumpel	D8/371
D306,553 S *	3/1990	Rumpel	D8/395
D316,958 S *	5/1991	Rumpel	D8/395
D317,252 S *	6/1991	Rumpel	D8/395
D340,183 S *	10/1993	Rumpel	D8/395
5,288,047 A *	2/1994	Pan	F21S 4/10 248/229.26
5,547,392 A *	8/1996	Cheng	F21V 21/002 439/666
D375,453 S *	11/1996	Fleck	D8/395
5,722,853 A *	3/1998	Hwang	F21V 21/002 439/340
6,536,727 B1 *	3/2003	Limber	F21V 21/088 248/229.16

(Continued)

OTHER PUBLICATIONS

“No Ladder Pro Quick Release Christmas Light Clips”, Jun. 22, 2018, Amazon.com, site visited Mar. 27, 2024: <https://www.amazon.com/dp/B07DY7FD2D> (Year: 2018).*

(Continued)

Primary Examiner — Jack Reickel

Assistant Examiner — Michael A Kervin

(74) *Attorney, Agent, or Firm* — Ice Miller LLP; Justin D. Swindells

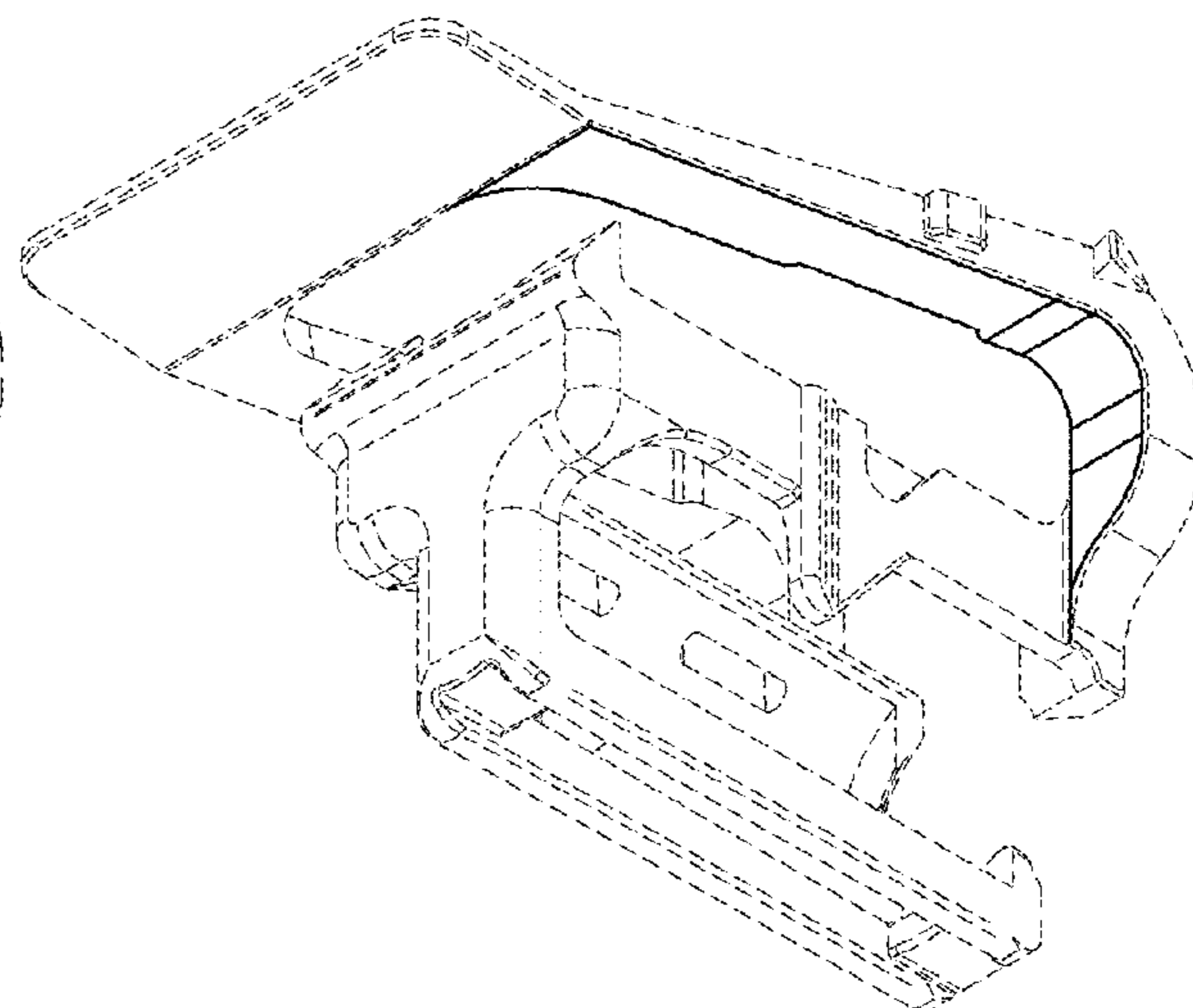
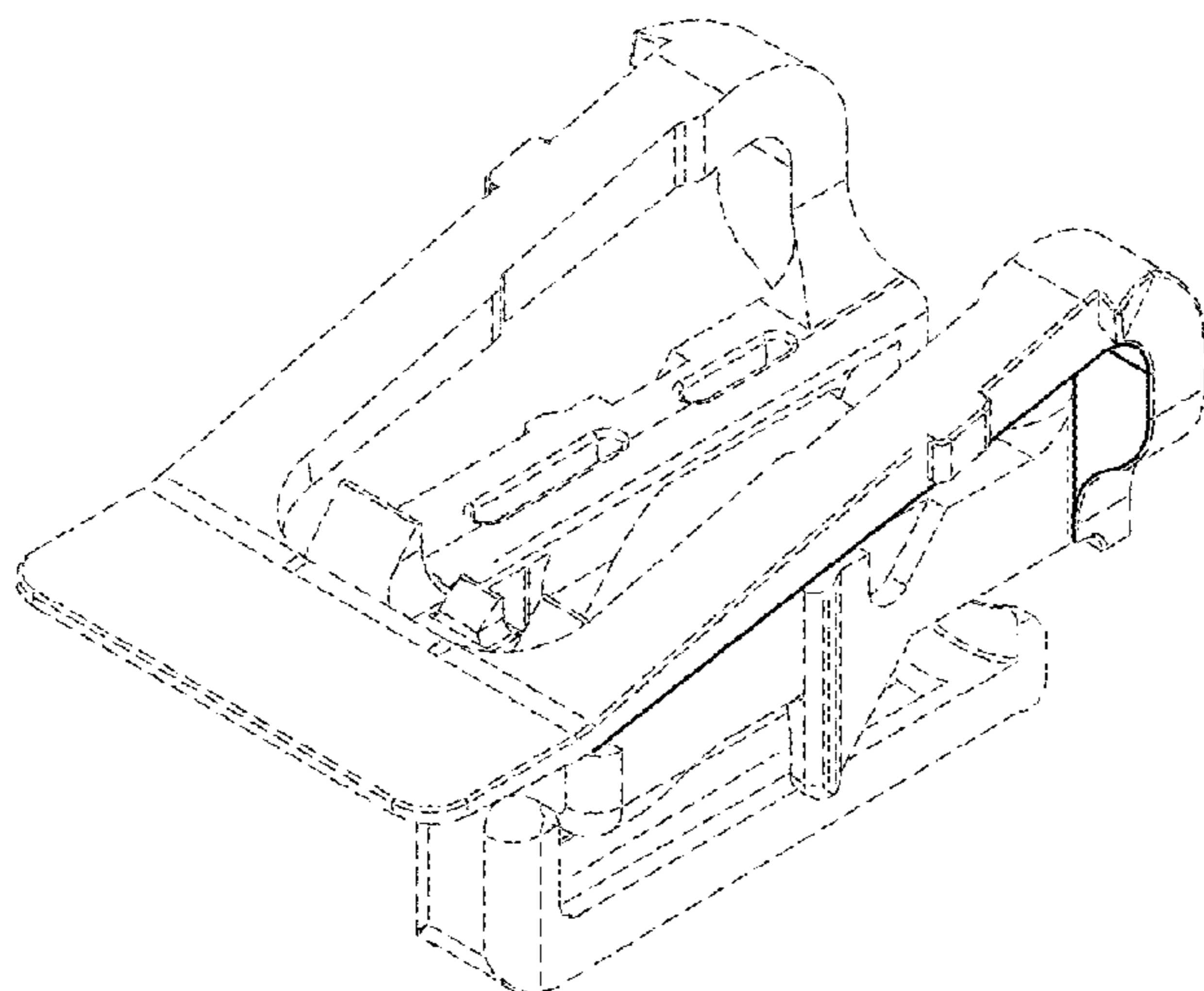
(57) **CLAIM**

The ornamental design for a clip with light bulb socket holder, as shown and described.

DESCRIPTION

FIG. 1 is a top perspective view of a clip with light bulb socket holder according to an embodiment of my design. FIG. 2 is a bottom perspective view of the clip with light bulb socket holder of FIG. 1. FIG. 3 is a top plan view of the clip with light bulb socket holder of FIG. 1. FIG. 4 is an elevation view of the front side of the clip with light bulb socket holder of FIG. 1. FIG. 5 is an elevation view of a left side of the clip with light bulb socket holder of FIG. 1. FIG. 6 is an elevation view of a right side of the clip with light bulb socket holder of FIG. 1. FIG. 7 is an elevation view of the back side of the clip with light bulb socket holder of FIG. 1; and, FIG. 8 is a bottom plan view of the clip with light bulb socket holder of FIG. 1. In all the drawings, the broken lines illustrate portions of the article that form no part of the claimed design.

1 Claim, 3 Drawing Sheets



(56)

References Cited

U.S. PATENT DOCUMENTS

6,572,062 B1 * 6/2003 Limber F21V 21/088
248/229.16
9,702,503 B2 * 7/2017 Chi Man B05B 15/62
D824,246 S * 7/2018 Ming D8/382
10,281,084 B2 * 5/2019 Felt F16B 1/00
10,557,620 B2 * 2/2020 Felt F21V 21/088
D914,271 S * 3/2021 Wang D26/138
D939,335 S * 12/2021 Kennedy D8/395
D950,112 S * 4/2022 Zheng D26/25
11,353,199 B2 * 6/2022 Felt F21V 21/088
D957,929 S * 7/2022 Kennedy D8/395
D1,036,760 S * 7/2024 Kennedy D26/142
D1,050,564 S * 11/2024 Kennedy D8/395
2013/0148366 A1 * 6/2013 Adams, IV F21V 21/088
362/396
2023/0167969 A1 * 3/2023 Kennedy F21S 4/10
362/396
2023/0160562 A1 * 5/2023 Kennedy G09B 19/003
434/81

2024/0133541 A1 * 4/2024 Kennedy F21V 21/088
2024/0183517 A1 * 6/2024 Kennedy F21V 17/007
2024/0191867 A1 * 6/2024 Hendricks F21V 21/088

OTHER PUBLICATIONS

“All-in-One Gutter Clip Shingle Clip for Outdoor Decorations”, Jul. 2, 2019, Amazon.com, site visited Mar. 27, 2024: <https://www.amazon.com/dp/B07TS9KH36> (Year: 2019).*
“Canny Systems—The Clever Choice”, Feb. 15, 2020, Facebook.com, site visited Mar. 27, 2024: <https://www.facebook.com/RidgeClip/photos/pb.100063467919444.-2207520000/2434969776816558> (Year: 2020).*
“Canny Systems—Looking forward to releasing our latest”, Dec. 4, 2022, Facebook.com, site visited Mar. 27, 2024: <https://www.facebook.com/RidgeClip/posts/pfbid02ZnF3hYGMZp3YxuBbKvvwrAFrWWcYLgsabH1Mt7mfooBmFmSjuinssgiXr4K7YhTI> (Year: 2022).*

* cited by examiner

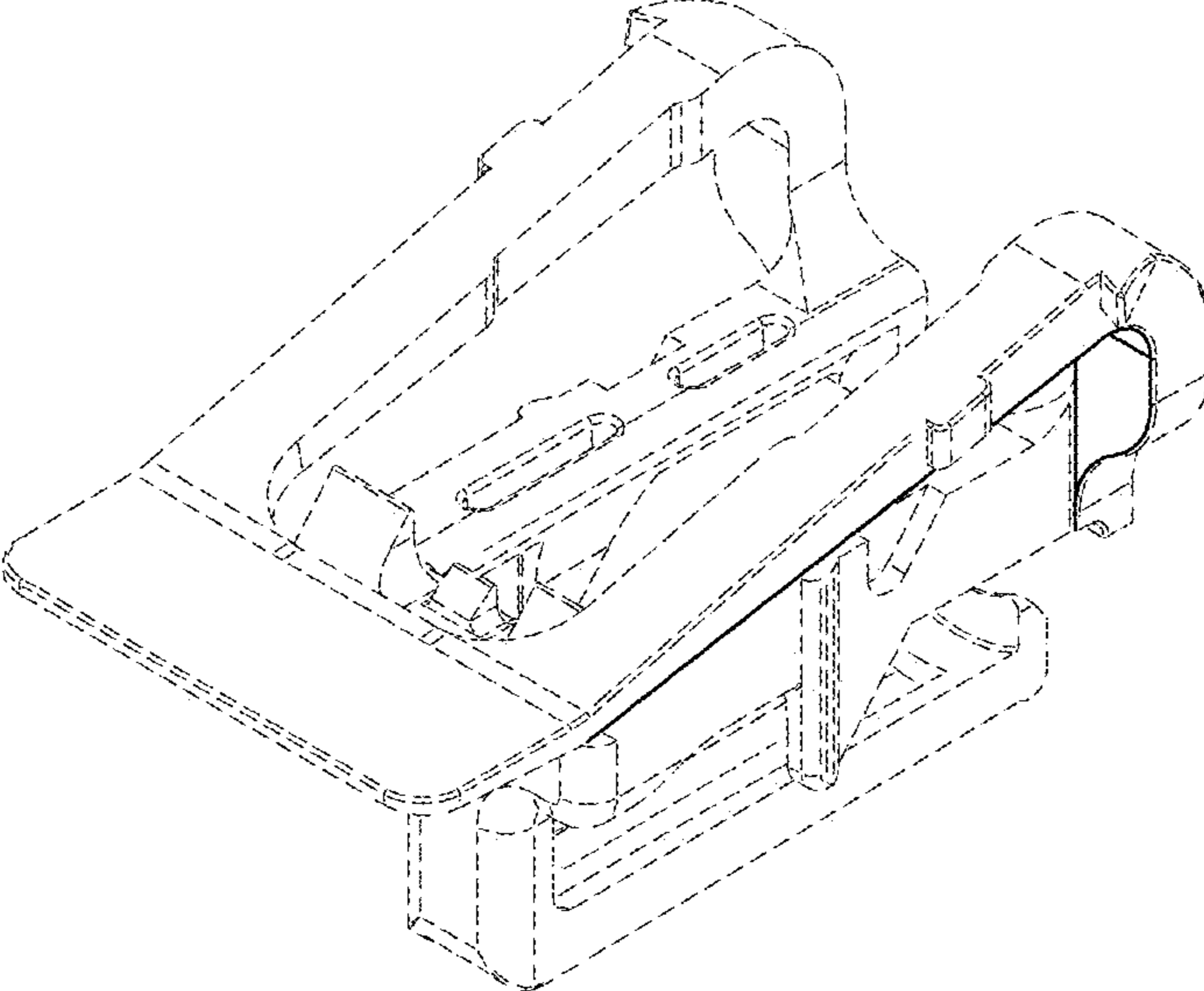


FIG. 1

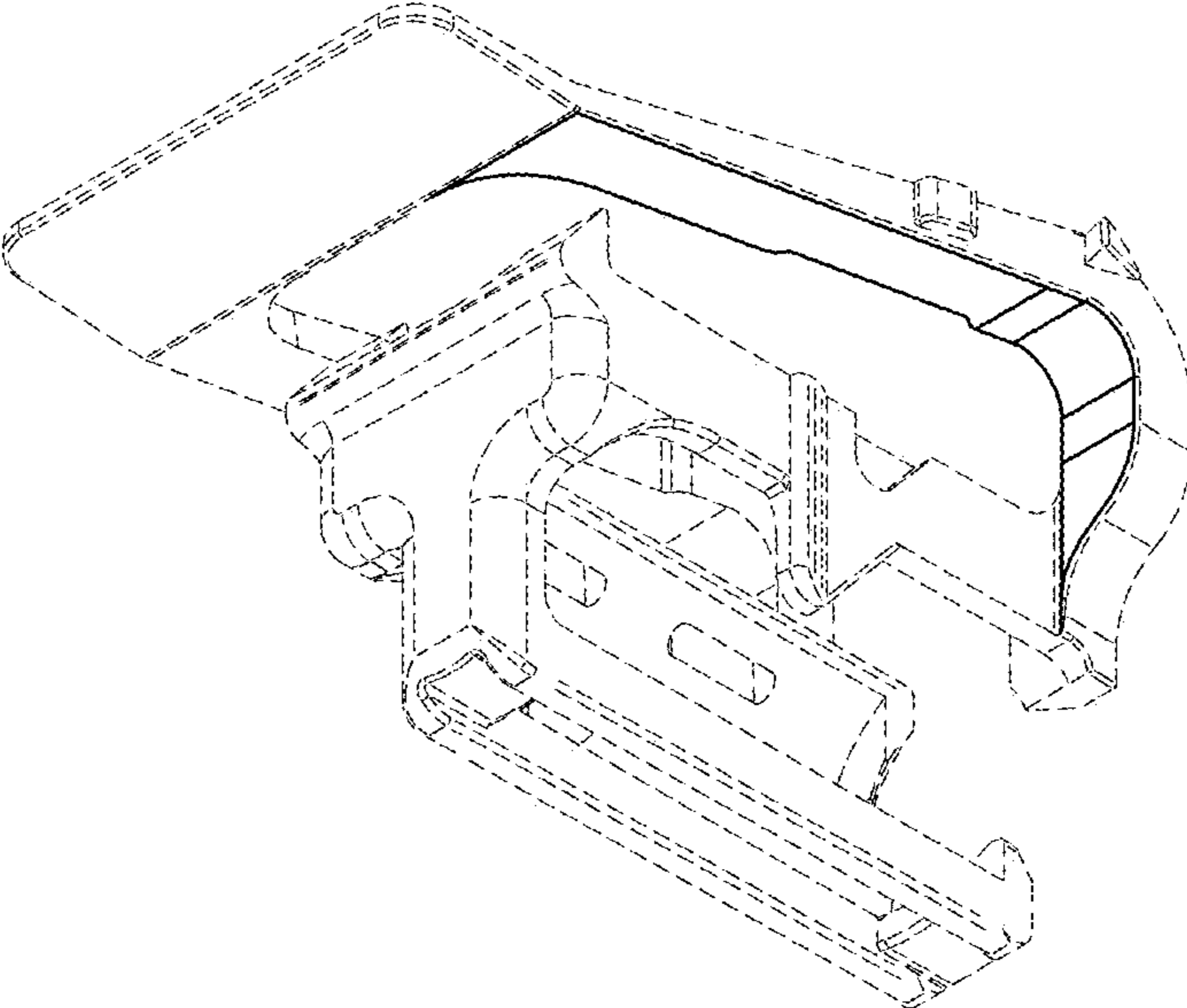


FIG. 2

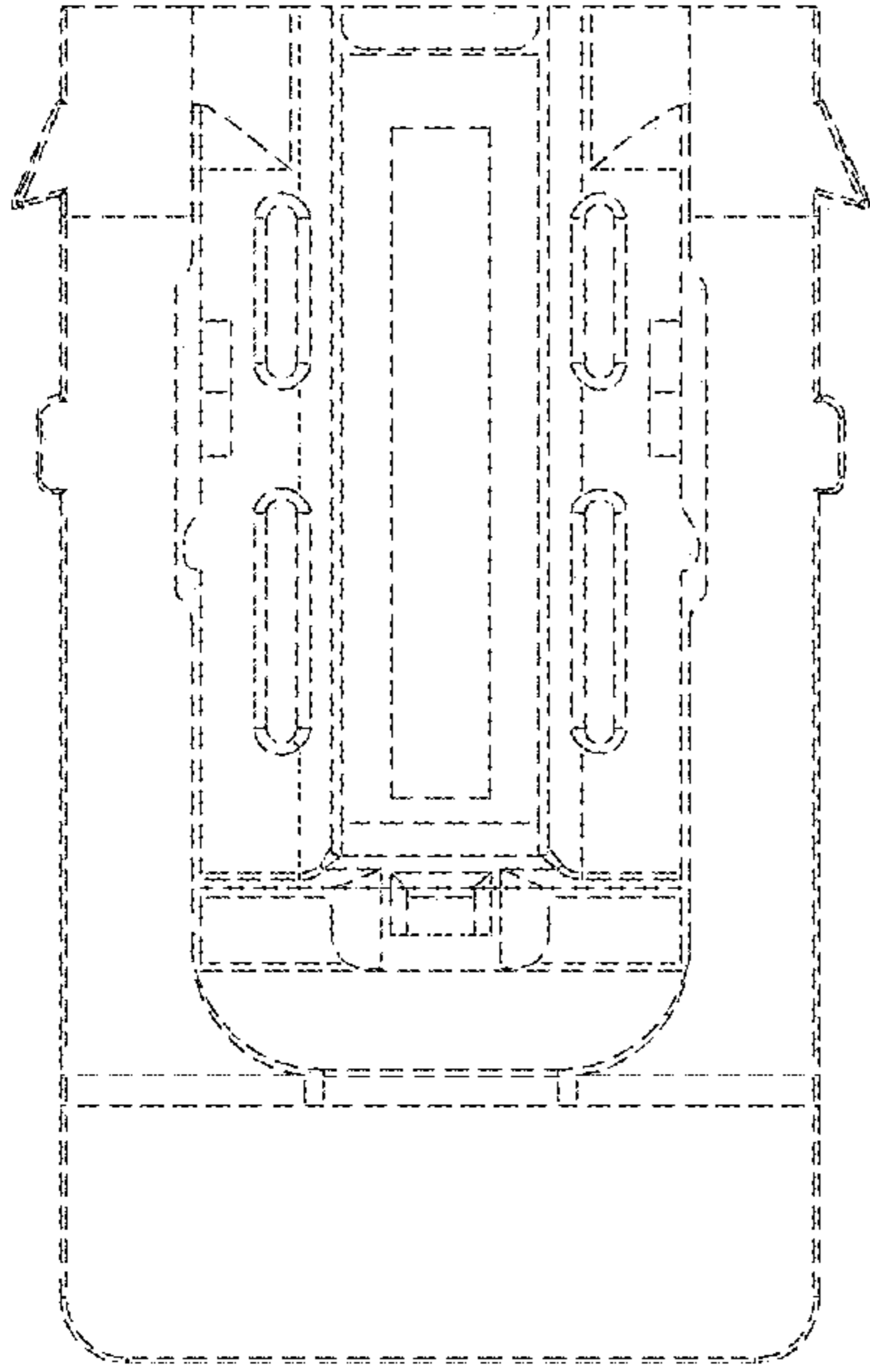


FIG. 3

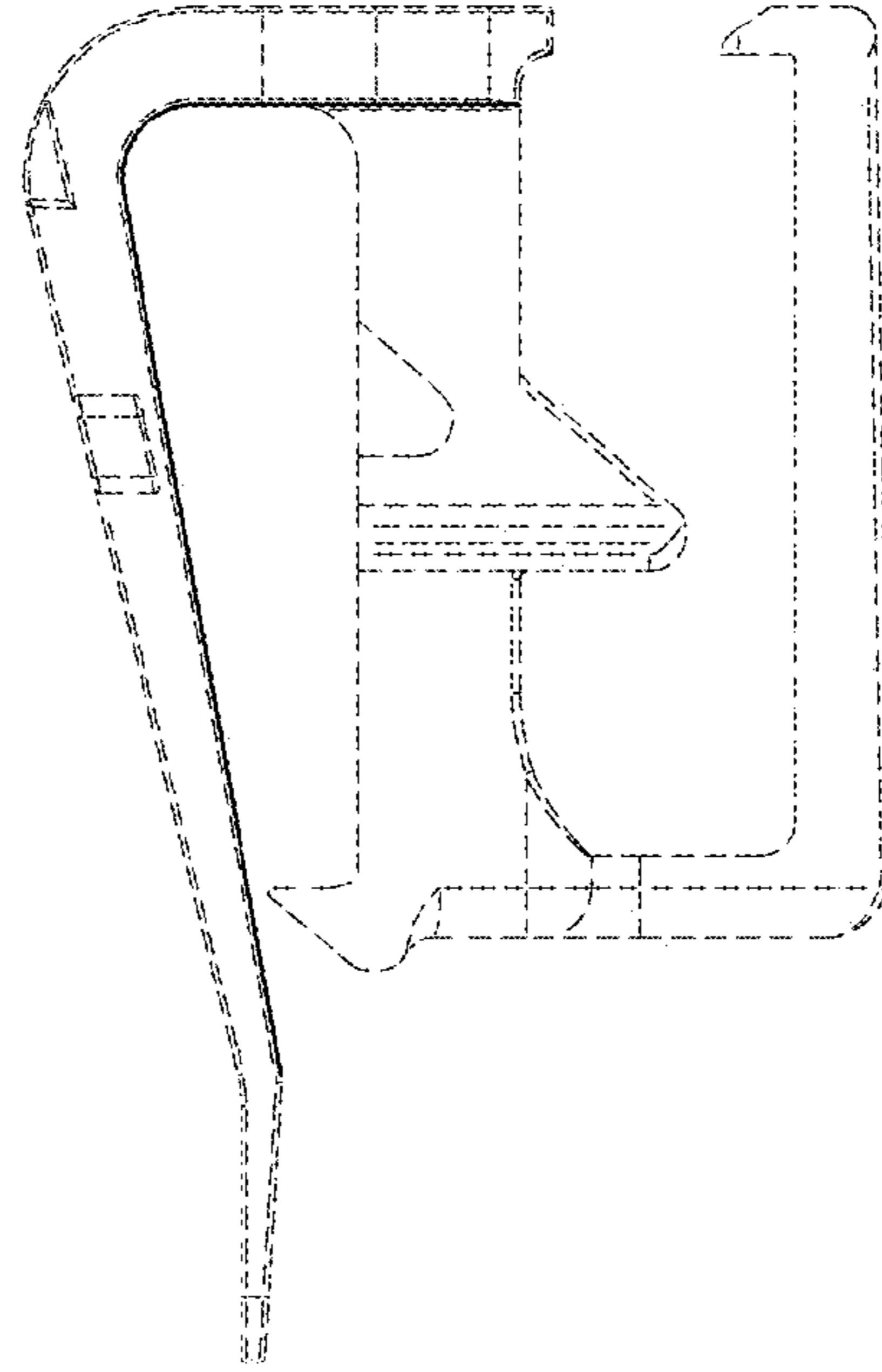


FIG. 4

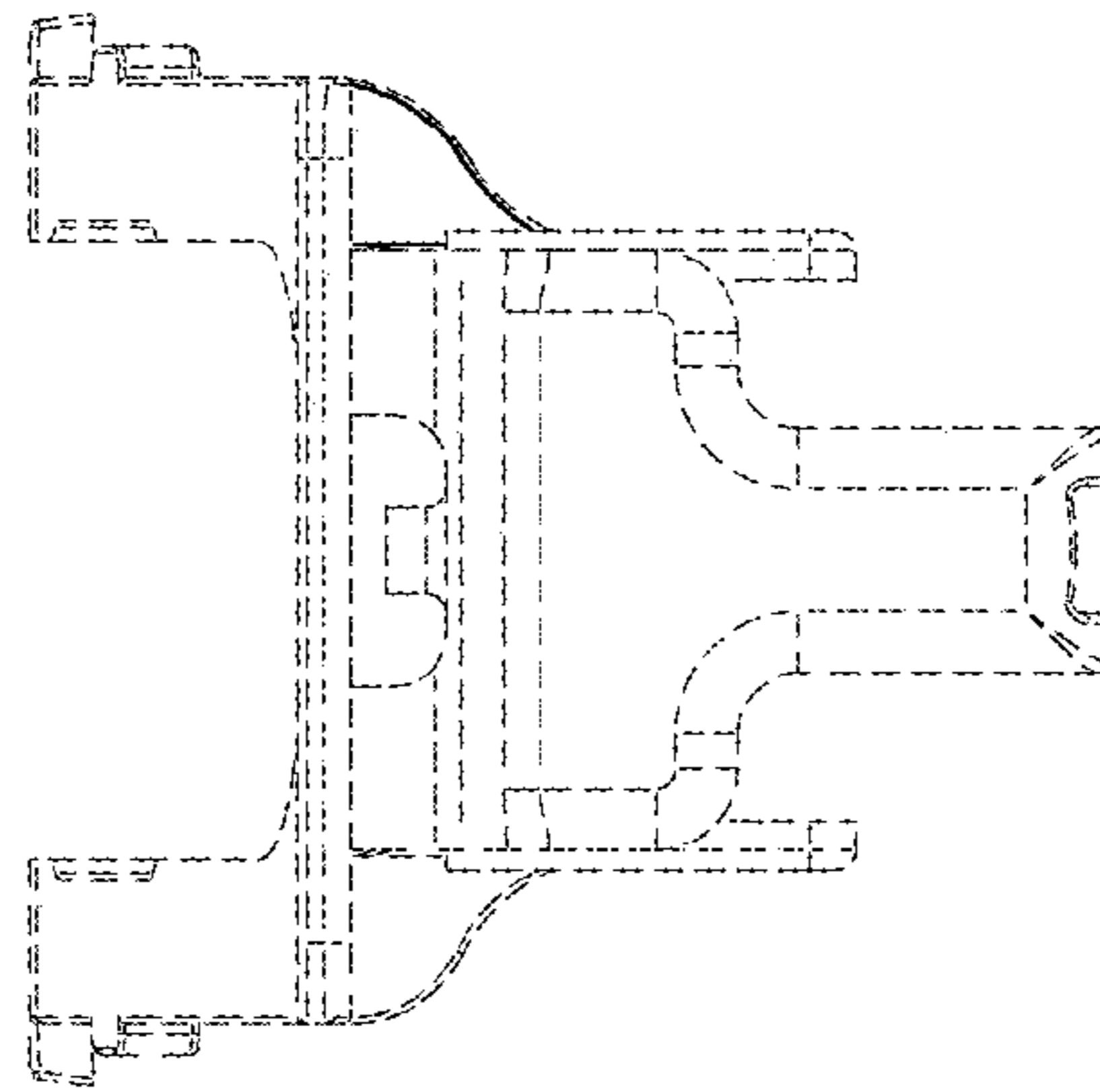


FIG. 5

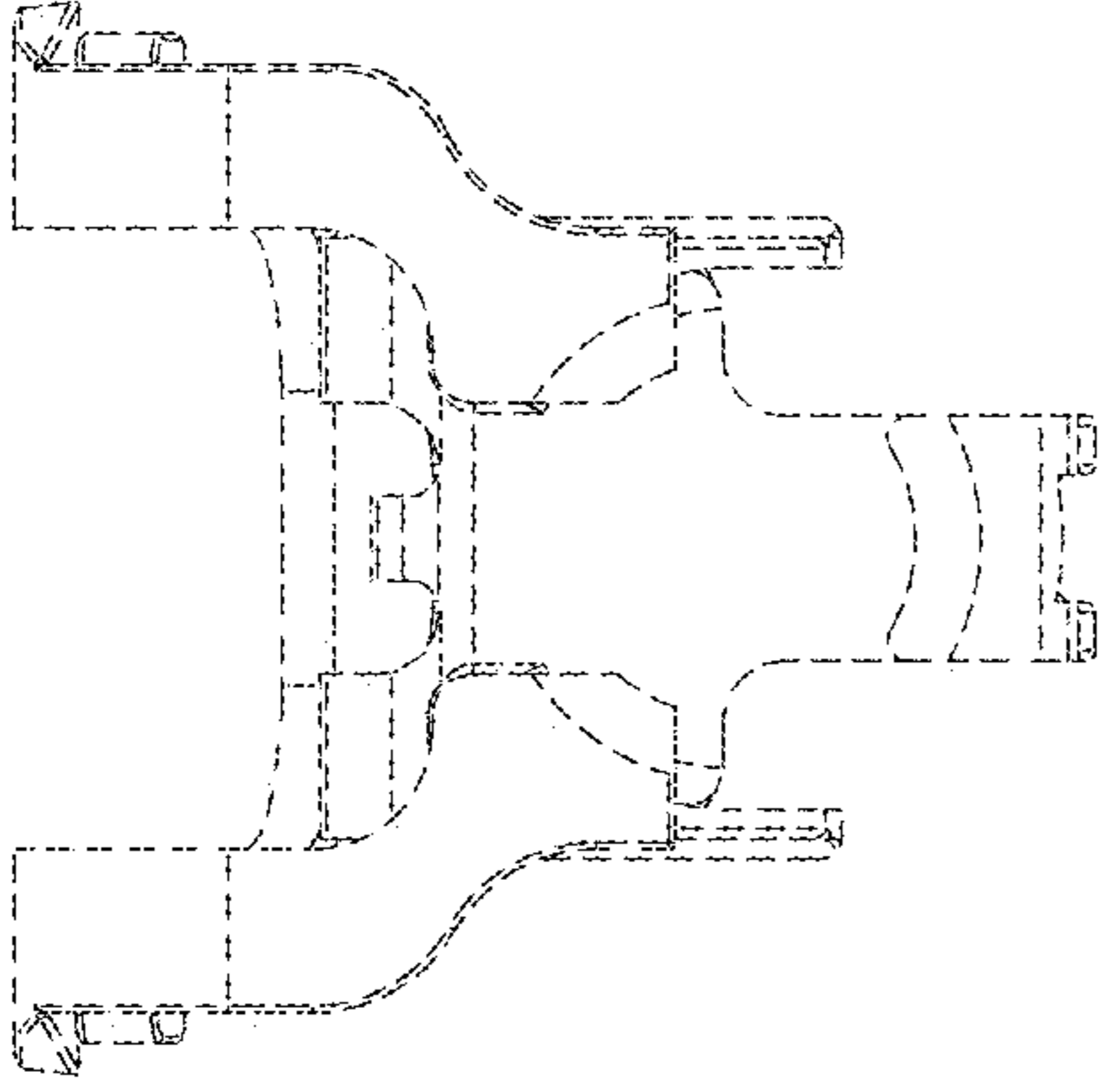


FIG. 7

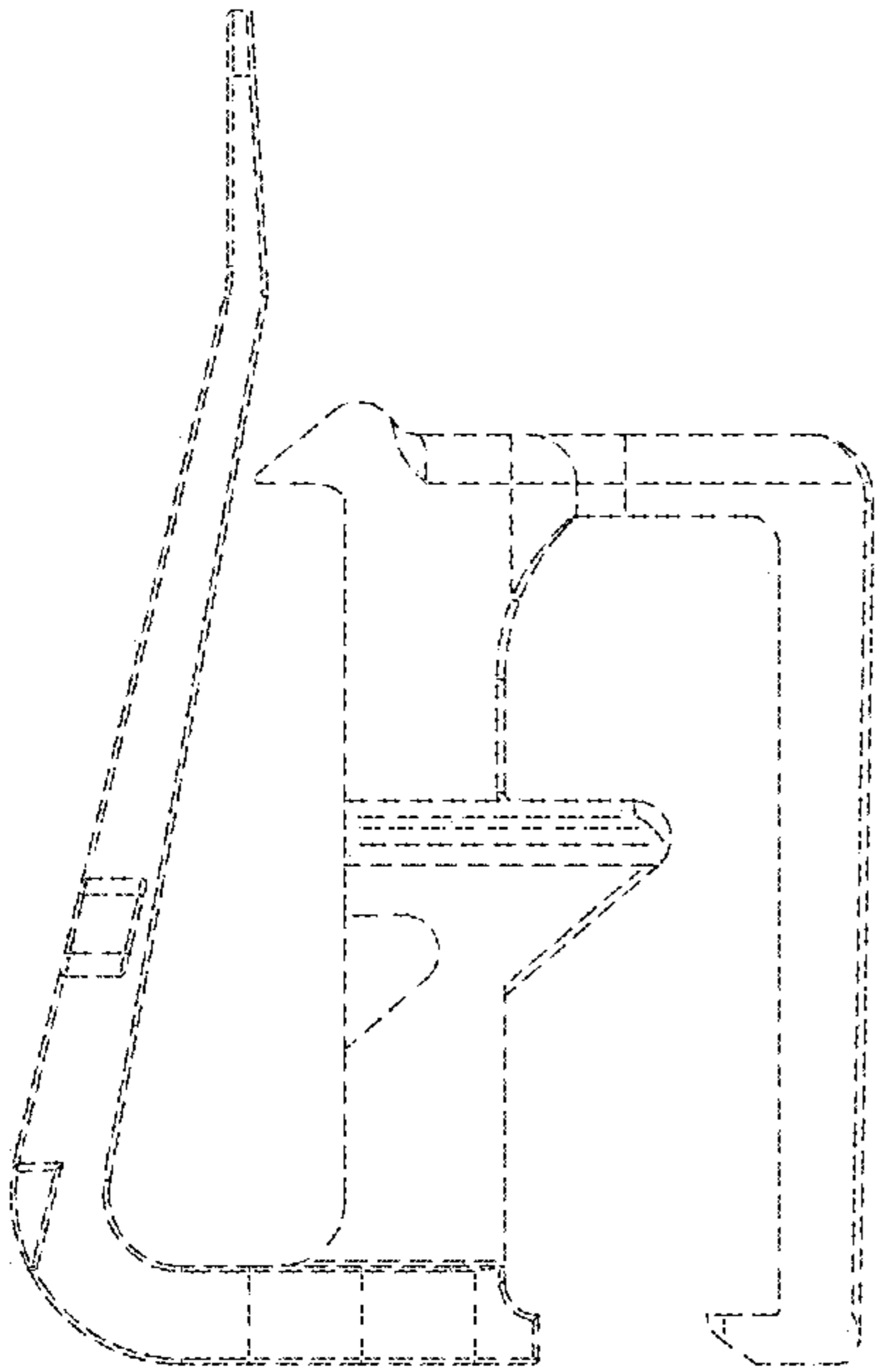


FIG. 6

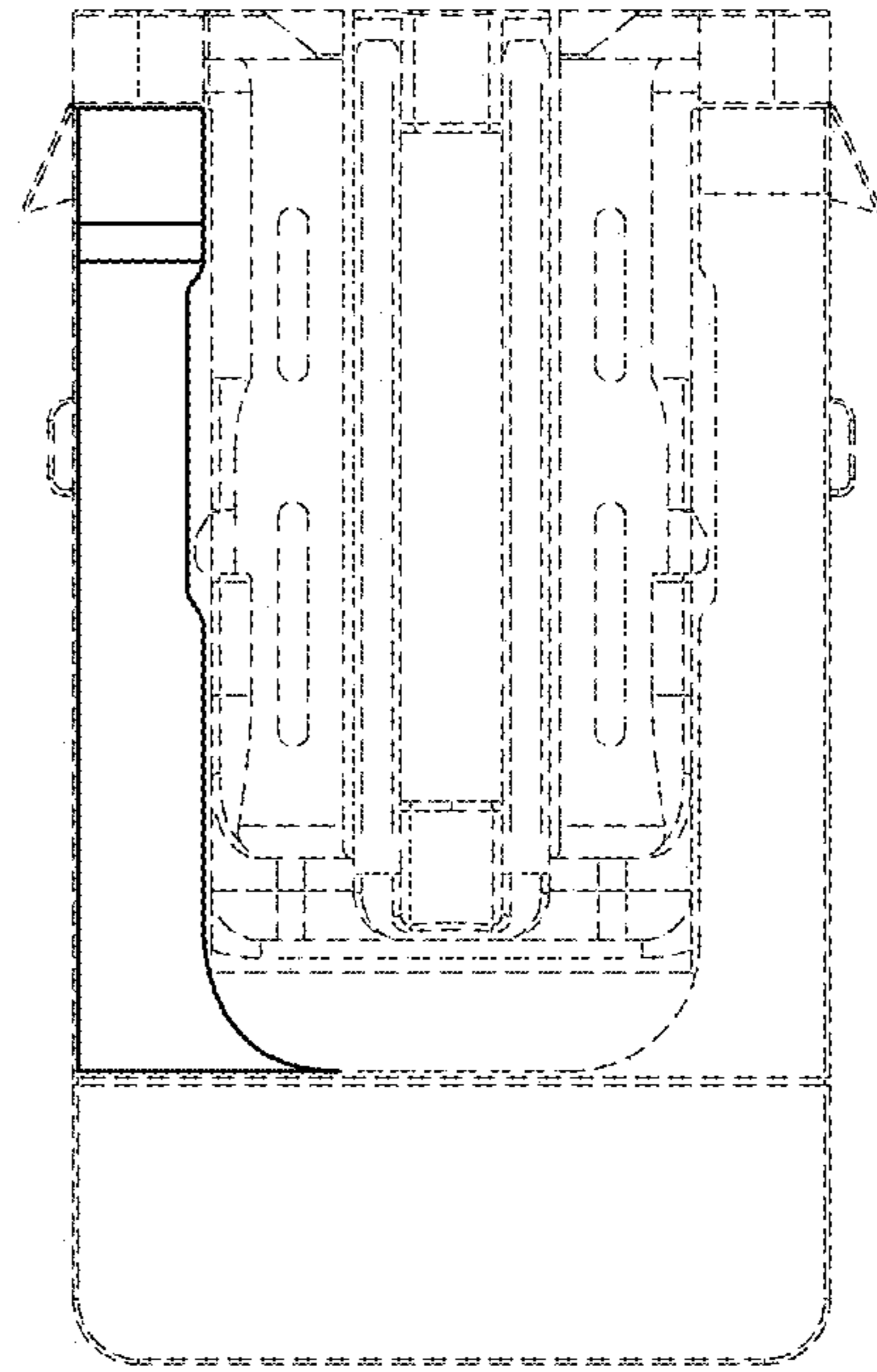


FIG. 8