



US0D1078446S

(12) **United States Design Patent**
Wolfe

(10) **Patent No.:** **US D1,078,446 S**

(45) **Date of Patent:** **** Jun. 10, 2025**

(54) **PUMP HOSE STATION**

(71) Applicant: **Paul Wolfe**, Bridgeport, TX (US)

(72) Inventor: **Paul Wolfe**, Bridgeport, TX (US)

(**) Term: **15 Years**

(21) Appl. No.: **29/846,599**

(22) Filed: **Jul. 18, 2022**

(51) **LOC (15) Cl.** **09-06**

(52) **U.S. Cl.**

USPC **D8/356**

(58) **Field of Classification Search**

USPC .. D8/64, 363, 367-372, 356-357, 354, 323;
D15/199, 28

CPC B25H 3/00; B64G 1/02; A47F 7/00; A47F
81/00; A47F 47/00

See application file for complete search history.

(56) **References Cited**

U.S. PATENT DOCUMENTS

D285,204 S *	8/1986	Glancy	D15/28
D330,471 S *	10/1992	Rogers	D15/199
D438,413 S *	3/2001	Hawkins	D6/513
8,210,374 B2 *	7/2012	Harpole	B65D 19/12 211/195
D732,788 S *	6/2015	Drummond	D34/33
D781,080 S *	3/2017	Jordan	D6/675.1
D784,052 S *	4/2017	Rodriguez	D6/675.2
D830,090 S *	10/2018	Eteläaho	D6/681.2
D918,274 S *	5/2021	Hokanson	D15/138
D1,004,633 S *	11/2023	Wolfe	D15/28
D1,005,005 S *	11/2023	Yang	D6/552

D1,010,702 S *	1/2024	Jiang	D15/199
D1,017,647 S *	3/2024	Brames	D15/28
2017/0020283 A1 *	1/2017	Hokanson	A47B 81/00
2023/0074742 A1 *	3/2023	Latvala	B66F 9/18

OTHER PUBLICATIONS

Pump Hose Station 599, facebook, Apr. 7, 2020, <https://www.facebook.com/wolfeweldingfab/photos> (Year: 2020).*

Pump Hose Station 800, facebook, May 8, 2017, <https://www.facebook.com/wolfeweldingfab/photos> (Year: 2017).*

* cited by examiner

Primary Examiner — Andrew Kerr

Assistant Examiner — Elizabeth Sun Ko

(74) *Attorney, Agent, or Firm* — Barry Choobin; Patent 360

(57) **CLAIM**

The ornamental design for a pump hose station, as shown and described.

DESCRIPTION

FIG. 1 is a perspective view of a pump hose station, showing my new design;

FIG. 2 is a front view thereof;

FIG. 3 is a rear view thereof;

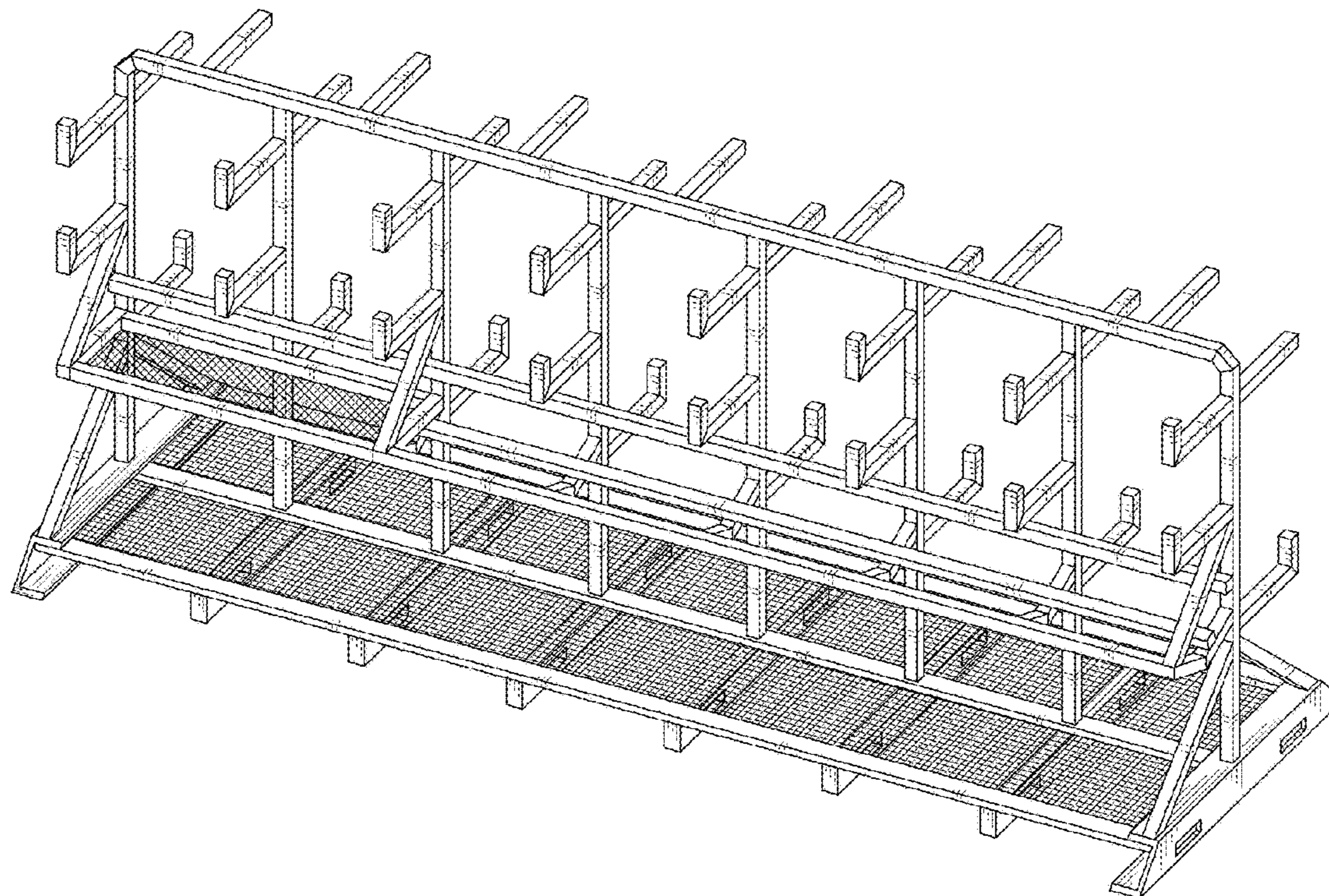
FIG. 4 is a top view thereof;

FIG. 5 is a bottom view thereof;

FIG. 6 is a right side view thereof; and,

FIG. 7 is a left side view thereof.

1 Claim, 6 Drawing Sheets



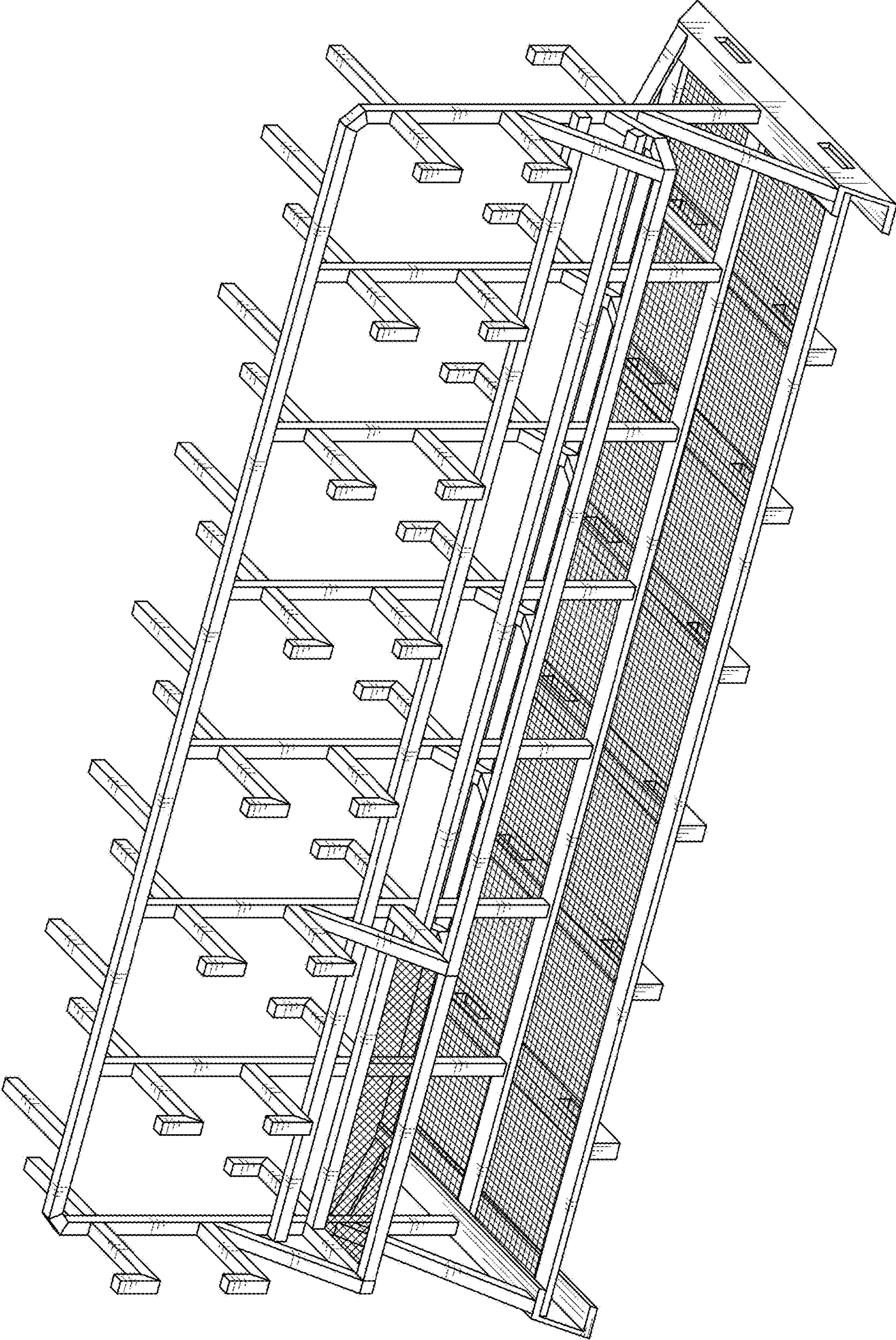


FIG. 1

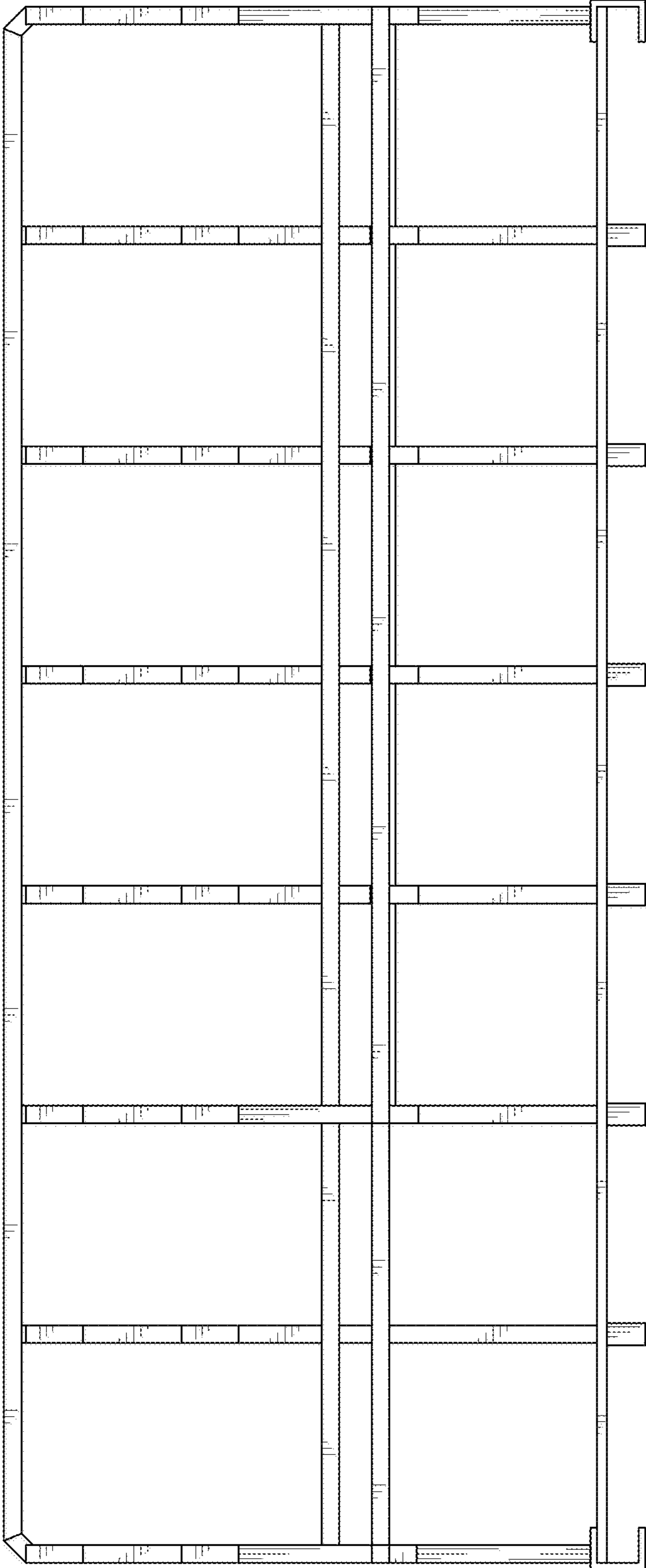


FIG. 2

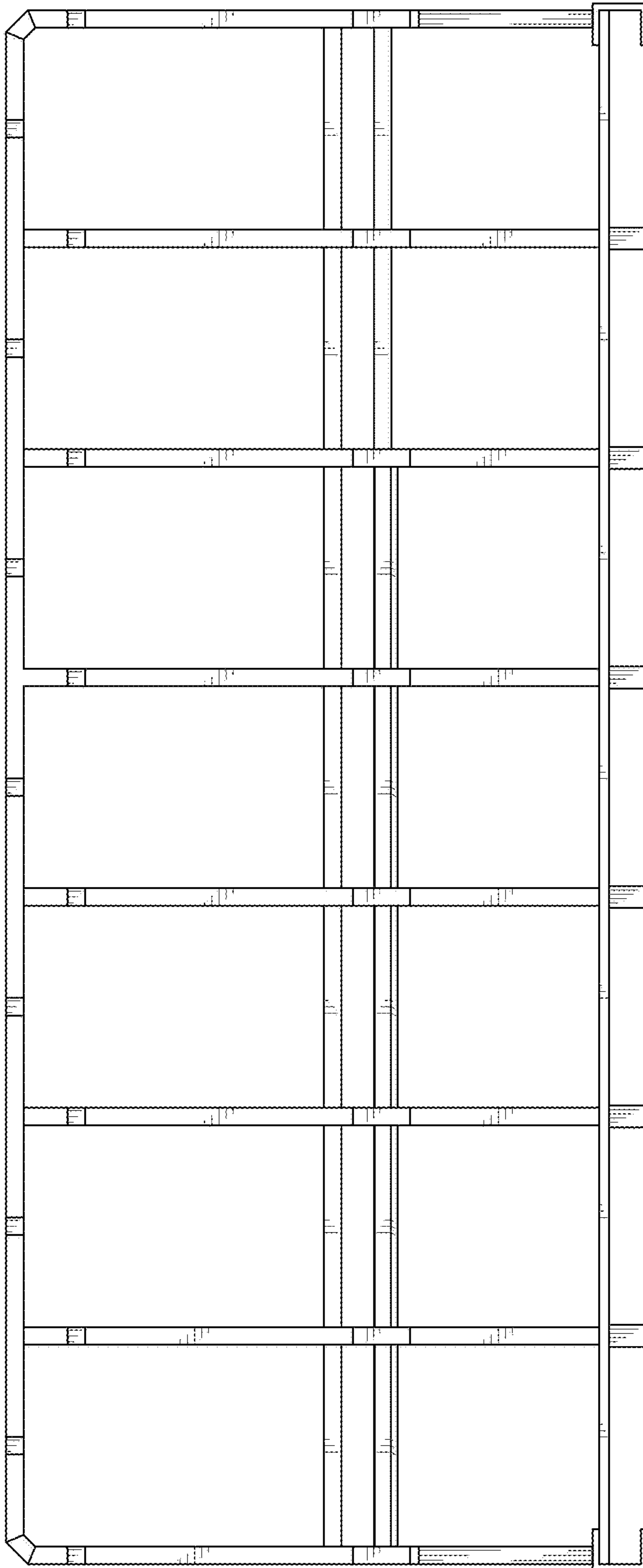


FIG. 3

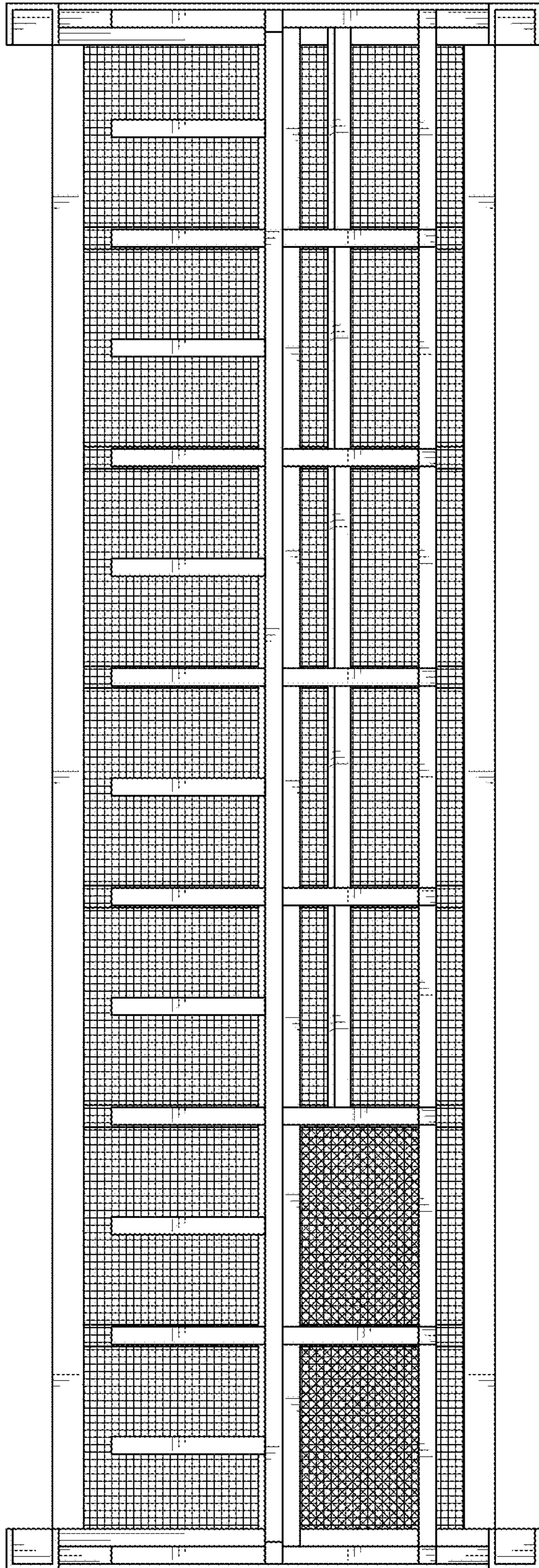


FIG. 4

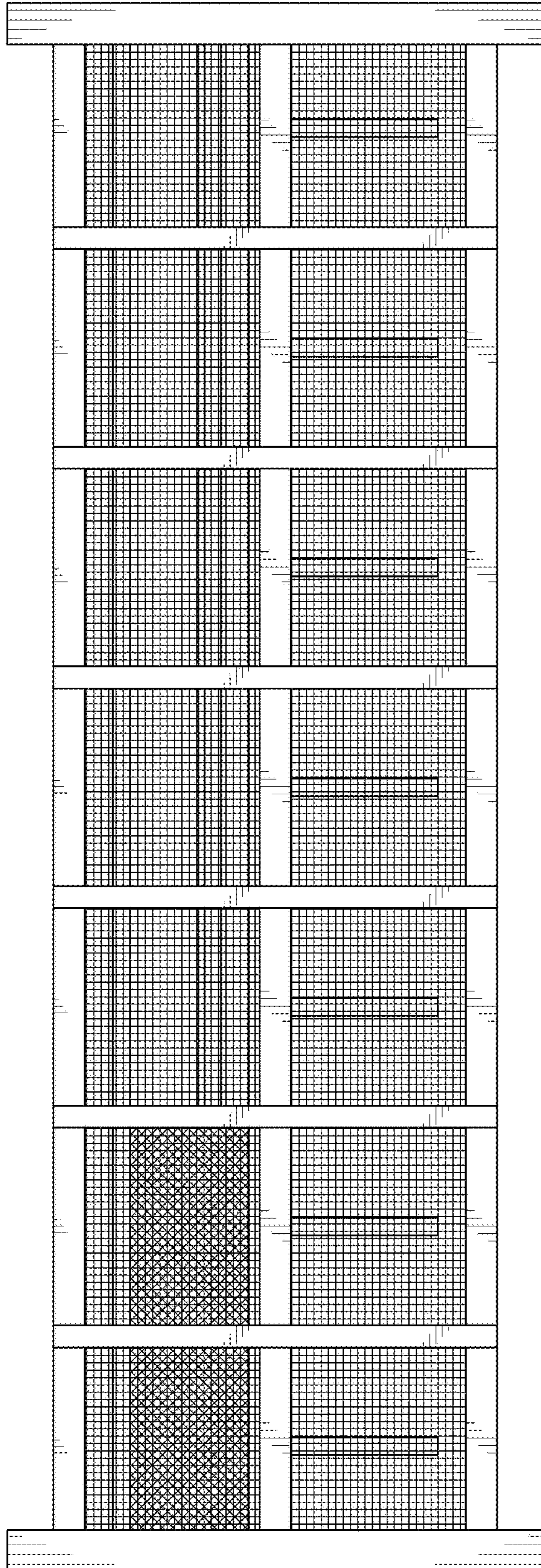


FIG. 5

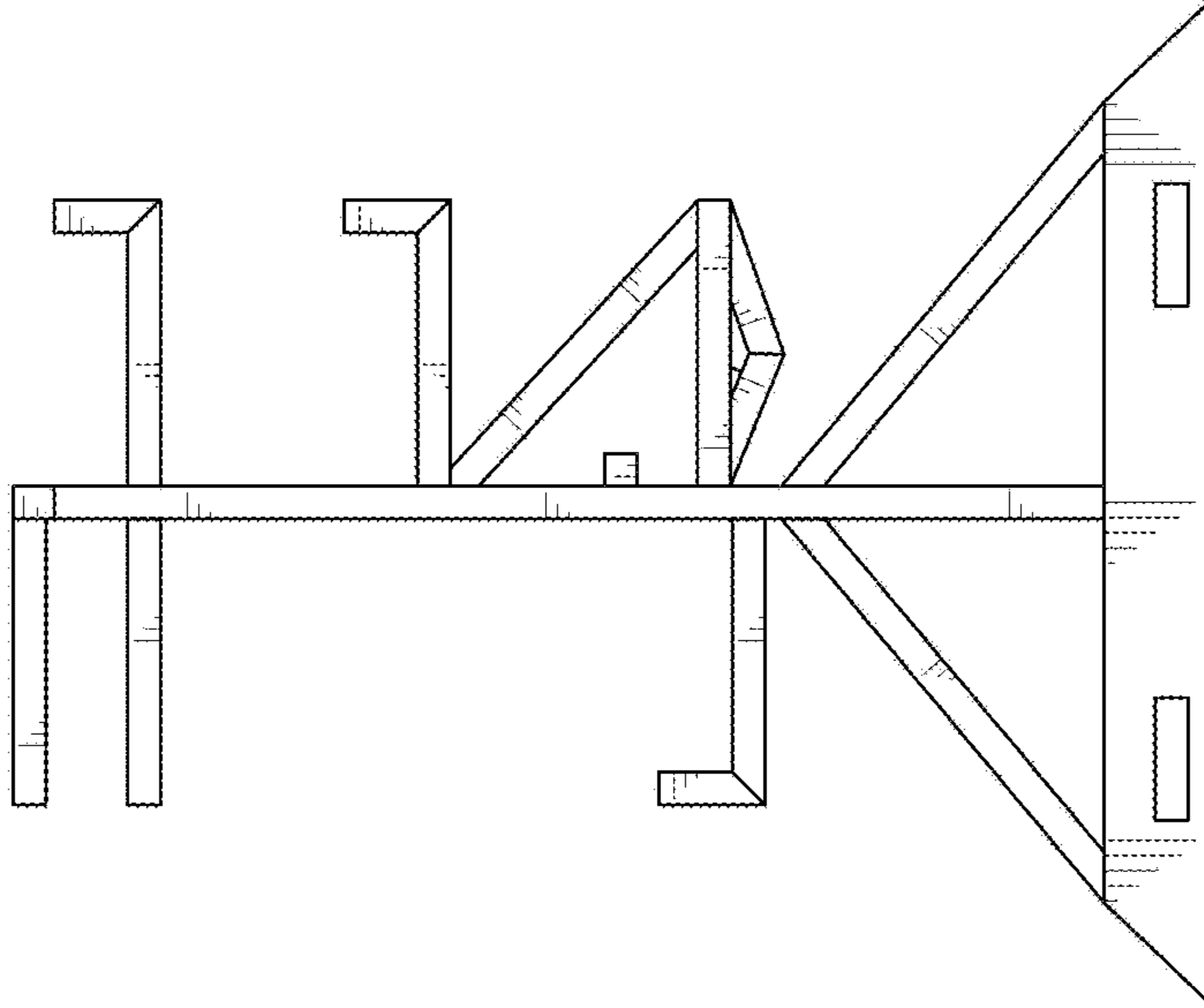


FIG. 7

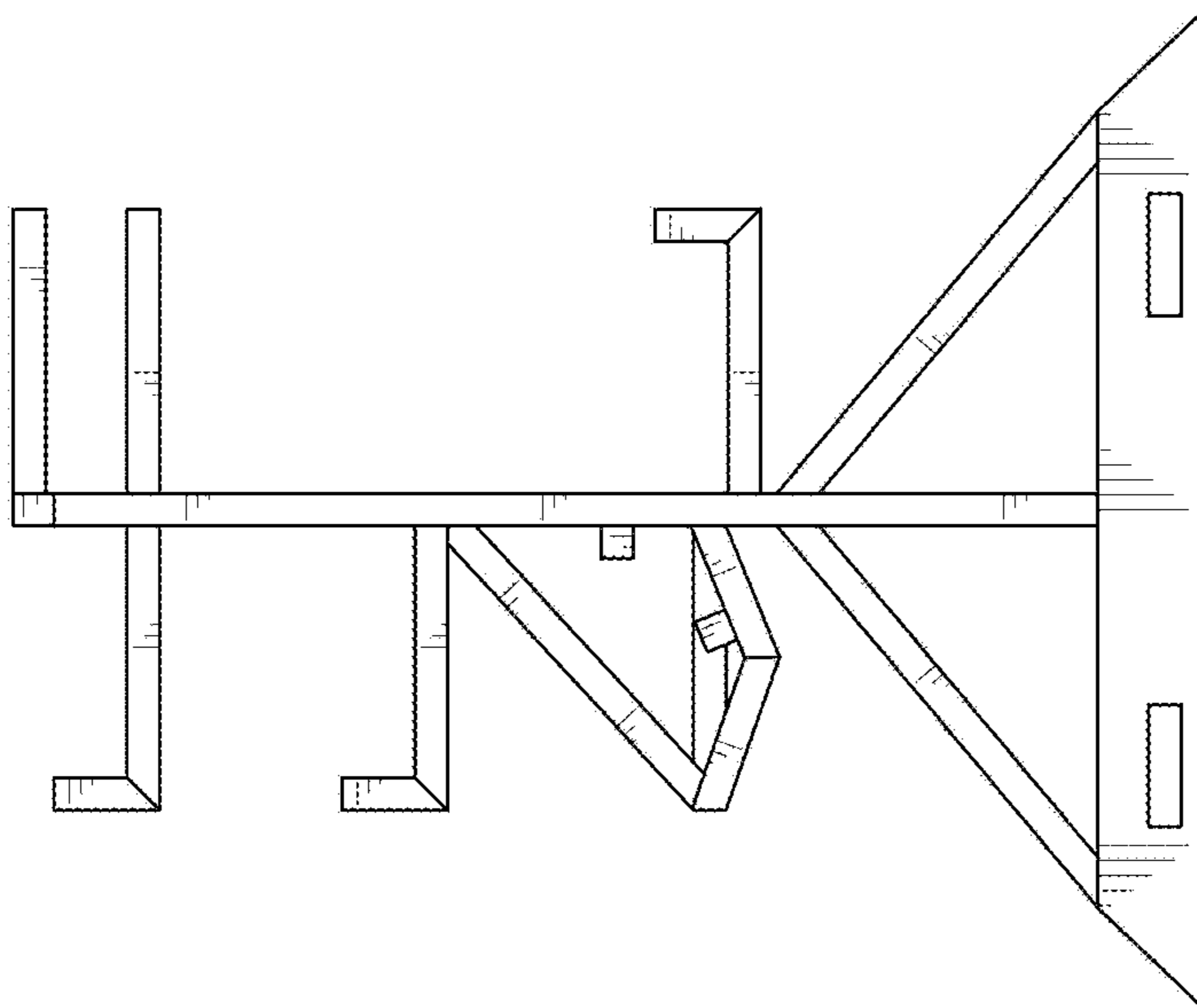


FIG. 6