



US0D1077695S

(12) **United States Design Patent** (10) **Patent No.:** **US D1,077,695 S**  
**Heilaneh et al.** (45) **Date of Patent:** **\*\* Jun. 3, 2025**

(54) **AIR INTAKE GRILLE**

FOREIGN PATENT DOCUMENTS

(71) Applicant: **PACCAR Inc**, Bellevue, WA (US)

CA 173050 \* 5/2018  
CN 305757914 5/2020

(72) Inventors: **Louis Heilaneh**, Denton, TX (US);  
**Brad Powell**, Corinth, TX (US);  
**Christian Elliott**, Aubrey, TX (US)

(Continued)

(73) Assignee: **PACCAR Inc**, Bellevue, WA (US)

OTHER PUBLICATIONS

(\*\*) Term: **15 Years**

Kozak Grille Hood Mesh Side Hood Vent Chrome Grille—Outer Chrome Trim Set—Air Intake (Right and Left Side), available in Amazon.com, date first available Feb. 22, 2018 [online], [site visited Jan. 22, 2025], Available from the internet URL: <https://www.amazon.com/Volvo-VNL-Grille-Hood-Mesh/dp/B07B1YP9CJ>.\*

(21) Appl. No.: **29/939,838**

(22) Filed: **Apr. 29, 2024**

(Continued)

**Related U.S. Application Data**

*Primary Examiner* — Darlington Ly

*Assistant Examiner* — D. Ryan Tisdale

(62) Division of application No. 29/825,566, filed on Feb. 2, 2022, now Pat. No. Des. 1,030,569.

(74) *Attorney, Agent, or Firm* — Seed IP Law Group LLP

(51) **LOC (15) Cl.** ..... **12-16**

(57) **CLAIM**

(52) **U.S. Cl.**

The ornamental design for an air intake grille as shown and described.

USPC ..... **D12/163**

**DESCRIPTION**

(58) **Field of Classification Search**

USPC ..... D12/86, 90–92, 163, 164, 169–171, 190,  
D12/196, 216; D21/533, 548, 552, 561;  
D15/31

CPC ..... B60R 19/00; B60R 19/02; B60R 19/04;  
B60R 19/18; B60R 19/24; B60R 19/26;  
B60R 19/52; B60R 19/56; B60R  
2019/525; B60R 2019/527; B62D 25/084;  
B62D 25/085; B60K 11/085

See application file for complete search history.

FIG. 1 is a top perspective of an air intake grille, showing a first embodiment of our new design;  
FIG. 2 is a front elevational view thereof;  
FIG. 3 is a cross-sectional view of a portion of the air intake grille shown in FIG. 2, taken along line 3-3; and  
FIG. 4 is a rear elevational view of the air intake grille.  
FIG. 5 is a top perspective view of an air intake grille, showing a second embodiment of our new design, which is a mirror image of the air intake grille shown in FIGS. 1-4;  
FIG. 6 is a front elevational view thereof;  
FIG. 7 is a cross-sectional view of a portion of the air intake grille shown in FIG. 5, taken along line 7-7; and  
FIG. 8 is a rear elevational view of the air intake grille.  
The broken lines shown in the drawings depict portions of the air intake grille that form no part of the claimed design.

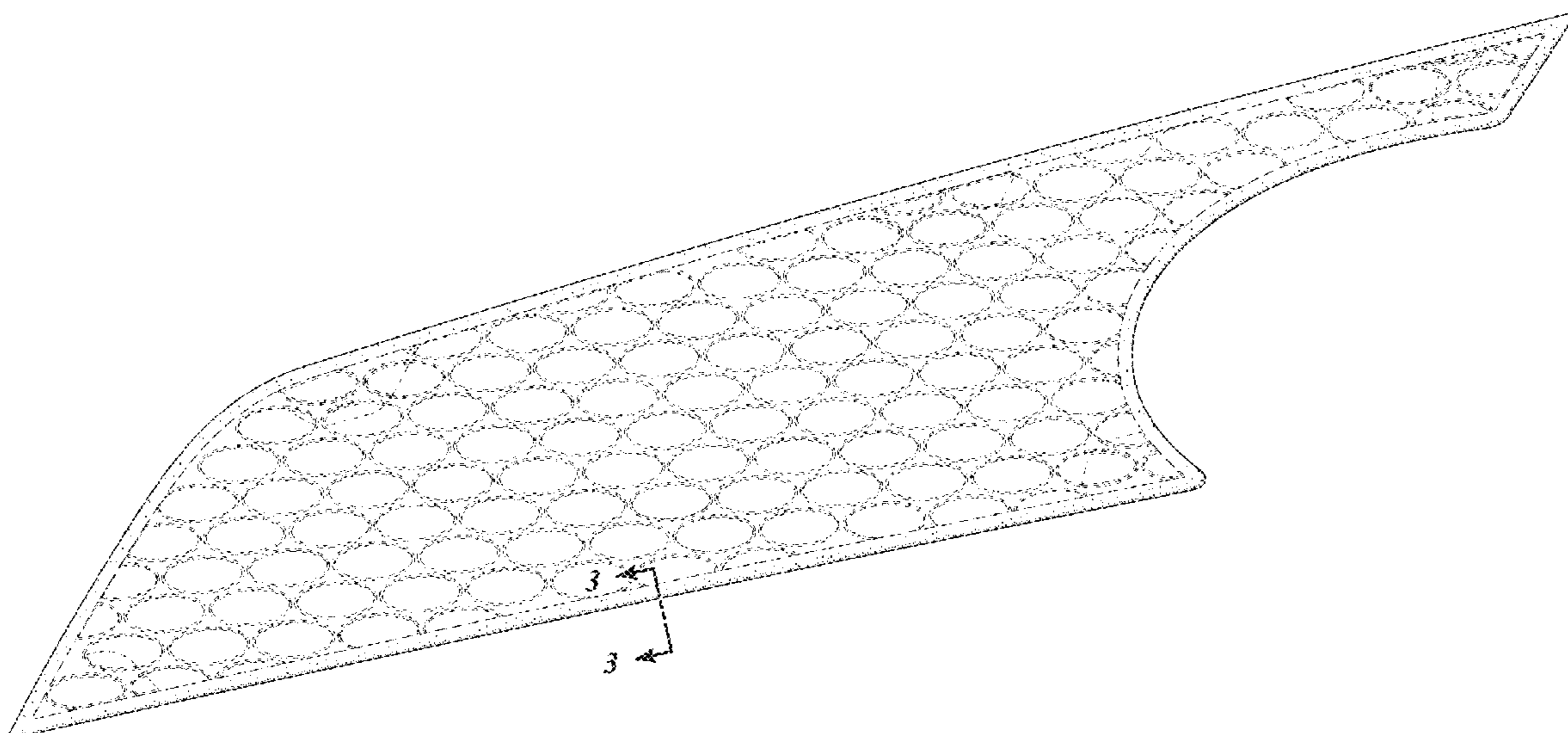
(56) **References Cited**

U.S. PATENT DOCUMENTS

D394,035 S \* 5/1998 Stosel ..... D12/163  
D504,849 S \* 5/2005 Pfeiffer ..... D12/163  
D533,484 S 12/2006 Behmer

(Continued)

**1 Claim, 6 Drawing Sheets**



(56)

**References Cited**

## U.S. PATENT DOCUMENTS

D540,228 S *	4/2007	Lai .....	D12/196
D605,989 S	12/2009	Leng	
D615,007 S *	5/2010	Kasai .....	D12/163
8,038,204 B1 *	10/2011	Baker .....	B60R 19/52 296/1.08
D647,829 S	11/2011	Medina et al.	
D647,830 S	11/2011	Medina et al.	
D708,990 S	7/2014	Conway et al.	
D713,765 S	9/2014	Peltola et al.	
D758,928 S	6/2016	Messale	
D803,109 S	11/2017	Carter	
D818,894 S	5/2018	Waterhouse	
D819,515 S	6/2018	Anderson	
D828,226 S *	9/2018	Cotner .....	D12/96
D837,108 S	1/2019	Zhu	
D849,611 S	5/2019	Carter	
D930,518 S	9/2021	Hirzel	
D940,012 S	1/2022	Duncan et al.	
D941,196 S	1/2022	Reist	
D965,482 S	10/2022	Zhu	
D966,157 S	10/2022	Duncan et al.	
D993,118 S	7/2023	Acton	
D1,001,022 S *	10/2023	Auerbach .....	D12/163
D1,011,242 S *	1/2024	Lin .....	D12/163
D1,030,569 S	6/2024	Heilaneh et al.	
2007/0199751 A1 *	8/2007	Bradley .....	B60K 11/085 180/68.1
2008/0078595 A1 *	4/2008	Marqueling .....	B60R 19/52 180/68.4
2010/0015434 A1 *	1/2010	Iwata .....	C09D 175/04 428/327
2010/0148525 A1	6/2010	Abdelnour	
2017/0368727 A1 *	12/2017	Brown .....	B62D 25/08
2019/0263253 A1 *	8/2019	Doveri .....	B62J 17/10

## FOREIGN PATENT DOCUMENTS

CN	307958405	4/2023
CN	308106383	6/2023
CN	308988558	* 12/2024
WO	D240308-008	* 9/2024

## OTHER PUBLICATIONS

Kozak Side Hood Grille Vent Trim Chrome with Black Mesh Compatible with Kenworth T680 Next Gen 2022+, available in Amazon.com, date first available Sep. 6, 2024 [online], [site visited Jan. 22, 2025], Available from the internet URL: <https://www.amazon.com/KOZAK-Compatible-Kenworth-Keychain-Reflective/dp/B0DG7Y1D46>.\*

Torque Replacement Chrome Side Hood Air Intake Grill Grille for 2003-2017 Volvo VNL Semi Trucks Driver, available in Amazon.com, date first available May 23, 2018 [online], [site visited Jan. 22, 2025], Available from the internet URL: <https://www.amazon.com/TORQUE-Replacement-Chrome-2003-2017-TR018-L/dp/B07D9VNG4D>.\*

“T800,” Kenworth Truck Company, 2002, 32-page brochure.  
 “T800,” Kenworth Truck Company, 2003, 32-page brochure.  
 “T800,” Kenworth Truck Company, 2005, 28-page brochure.  
 “T800,” Kenworth Truck Company, 2009, 28-page brochure.  
 “T800B,” Kenworth Truck Company, 1993, 8-page brochure.  
 Peterbilt Motors Company, “The Working Class,” Sep. 1976, 6-page brochure.  
 “The World’s Best,” Kenworth Truck Company, 1992, 12-page brochure.  
 “W900,” Kenworth Truck Company, 1996, 7-page brochure.  
 “W900,” Kenworth Truck Company, 2002, 32-page brochure.  
 “W900,” Kenworth Truck Company, 2005, 28-page brochure.  
 “W900,” Kenworth Truck Company, 2009, 28-page brochure.  
 Kenworth Truck Company, “W900L AeroCab,” 1994, 2-page brochure.

Kenworth Truck Company, “AeroCab,” 1993, 5-page brochure.  
 “AeroCab,” Kenworth Truck Company, as early as 1995, 3-page brochure.  
 “C500B,” Kenworth Truck Company, as early as 1990, 4-page brochure.  
 Peterbilt Motors Company, “Class Pays, Medium Duty,” Sep. 2000, 12-page brochure.  
 “Class Pays, Truck Models,” Peterbilt Motors Company, Mar. 2005, 24-page brochure.  
 “Class Pays,” Peterbilt Motors Company, Nov. 1998, 10-page brochure.  
 Peterbilt Motors Company, “Class Pays,” Sep. 1997, 10-page brochure.  
 “Class Pays, Construction Trucks,” Peterbilt Motors Company, Nov. 2003, 16-page brochure.  
 “Kenworth Truck Models,” Kenworth Truck Company, 2010, 16-page brochure.  
 Peterbilt Motors Company, “Model 330,” Oct. 1997, 3-page brochure.  
 Peterbilt Motors Company, “Model 379,” Apr. 2005, 2-page brochure.  
 Peterbilt Motors Company, “Model 379,” Mar. 1996, 5-page brochure.  
 Peterbilt Motors Company, “Rest with Class,” Apr. 1978, 4-page brochure.  
 “T170 Class 5,” Kenworth Truck Company, 2008, 4-page brochure.  
 “T270 Class 6 and T370 Class 7,” Kenworth Truck Company, 2008, 6-page brochure.  
 “T270 Class 6 and T370 Class 7,” Kenworth Truck Company, 2009, 6-page brochure.  
 “T270 Class 6 and T370 Class 7 Hybrid,” Kenworth Truck Company, 2009, 6-page brochure.  
 “T680,” Kenworth Truck Company, 2013, 34-page brochure.  
 “T680,” Kenworth Truck Company, 2016, 34-page brochure.  
 “T880,” Kenworth Truck Company, 2017, 32-page brochure.  
 “Model 579,” Peterbilt Motors Company, Oct. 2013, 13-page brochure.  
 “Medium Duty,” Peterbilt Motors Company, 2013, 9-page brochure.  
 “On-Highway,” Peterbilt Motors Company, 2013, 13-page brochure.  
 “Vocational,” Peterbilt Motors Company, 2013, 11-page brochure.  
 “T440,” Kenworth Truck Company, 2010, 6-page brochure.  
 “T470,” Kenworth Truck Company, 2010, 6-page brochure.  
 “T470H,” Kenworth Truck Company, 2009, 2-page brochure.  
 “Model 220,” Peterbilt Motors Company, 2019, 2-page brochure.  
 “220EV,” Peterbilt Motors Company, 2020, 5-page brochure.  
 “Model 337,” Peterbilt Motors Company, 2020, 2-page brochure.  
 “Model 389,” Peterbilt Motors Company, 2019, 2-page brochure.  
 “Model 348,” Peterbilt Motors Company, 2019, 2-page brochure.  
 “Model 520,” Peterbilt Motors Company, 2019, 2-page brochure.  
 “Model 567,” Peterbilt Motors Company, 2020, 16-page brochure.  
 “567 Heritage,” Peterbilt Motors Company, 2017, 2-page brochure.  
 “Model 579,” Peterbilt Motors Company, 2019, 28-page brochure.  
 “C500,” Kenworth Truck Company, 2012, 2-page brochure.  
 “T680,” Kenworth Truck Company, 2019, 40-page brochure.  
 “T800,” Kenworth Truck Company, 2012, 28-page brochure.  
 “T440/T470,” Kenworth Truck Company, 2015, 8-page brochure.  
 “K270E/K370E,” Kenworth Truck Company, 2020, 4-page brochure.  
 “T170/T270/T370,” Kenworth Truck Company, 2019, 16-page brochure.  
 “K270/K370,” Kenworth Truck Company, 2014, 12-page brochure.  
 “W990,” Kenworth Truck Company, 2018, 32-page brochure.  
 “T880,” Kenworth Truck Company, 2019, 36-page brochure.  
 “Model 367,” Peterbilt Motors Company, URL=<https://www.peterbilt.com/trucks/vocational/model-367>, retrieved Nov. 20, 2020, 12 pages.  
 “Model 365,” Peterbilt Motors Company, URL=<https://www.peterbilt.com/trucks/vocational/model-365>, retrieved Nov. 20, 2020, 11 pages.  
 “Model 325,” Peterbilt Motors Company, URL=<https://www.peterbilt.com/trucks/medium-duty/model-325>, retrieved Nov. 20, 2020, 12 pages.  
 Linskip Fender Side Vent Cover Trim Compatible with Bronco 2021 2022 2023, available in Amazon.com, date first available Apr. 14,

(56)

**References Cited**

OTHER PUBLICATIONS

2023 [online], [site visited Oct. 3, 2023], Available from the internet URL: [https://www.amazon.com/Linskip-Fender-Compatible-Bronco-Accessories/dp/B0C2GQT8V6/ref=sr\\_1\\_3?crd=3VQESSJBAST17&key](https://www.amazon.com/Linskip-Fender-Compatible-Bronco-Accessories/dp/B0C2GQT8V6/ref=sr_1_3?crd=3VQESSJBAST17&key).

Boerlky Bumper Grille Replacement for 2011-2016 5 528 535 550 xDrive Front Center With M Package, available in Amazon.com, date first available Aug. 19, 2023 [online], [site visited Oct. 3, 2023], Available from the internet URL: [http://www.amazon.com/BOERLKY-Replacement-2011-2016-Package-Fitment/dp/B0CG33L5GH/ref=sr\\_1](http://www.amazon.com/BOERLKY-Replacement-2011-2016-Package-Fitment/dp/B0CG33L5GH/ref=sr_1).

Shinjew Hood Air Intake Grill Intake Vent Grille Mesh Side Grille Set Compatible with Volvo VNL Truck, available in Amazon.com, date first available May 13, 2022 [online], [site visited Oct. 3, 2023], Available from the internet URL: <https://www.amazon.com/SHINJEW-Intake-Compatible-Accessories-2004-2017/dp/B0B182ZSB8/re>.

\* cited by examiner

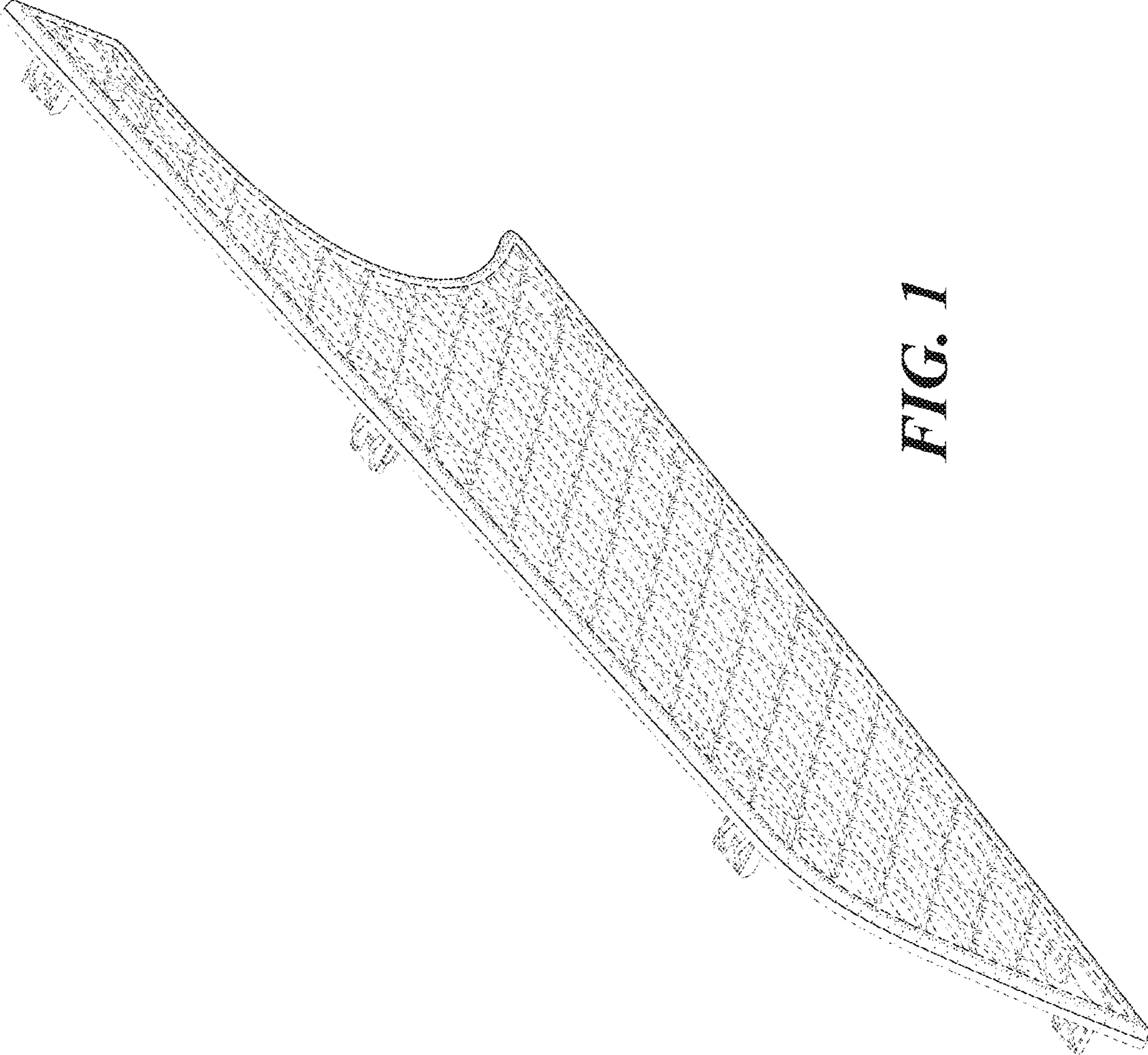
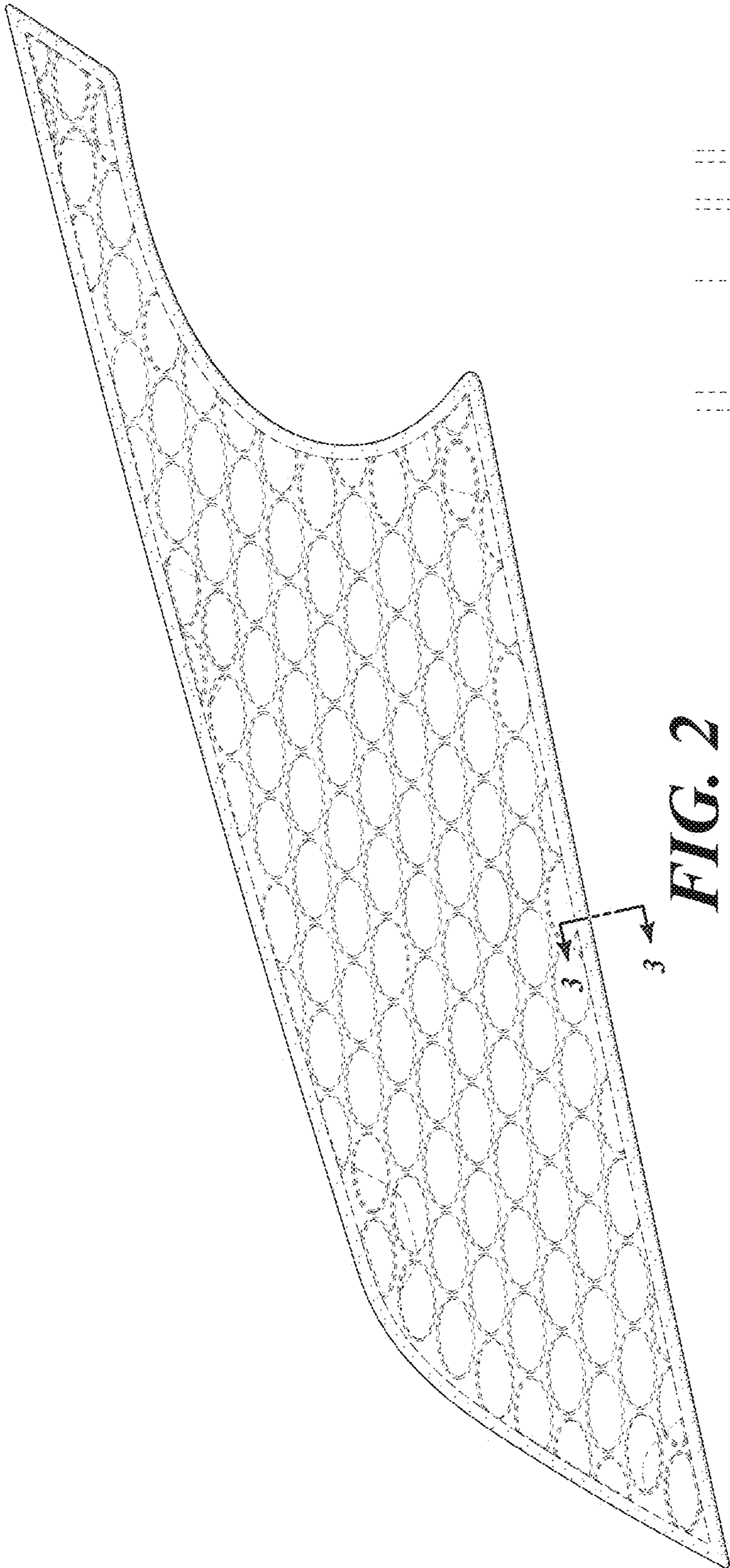
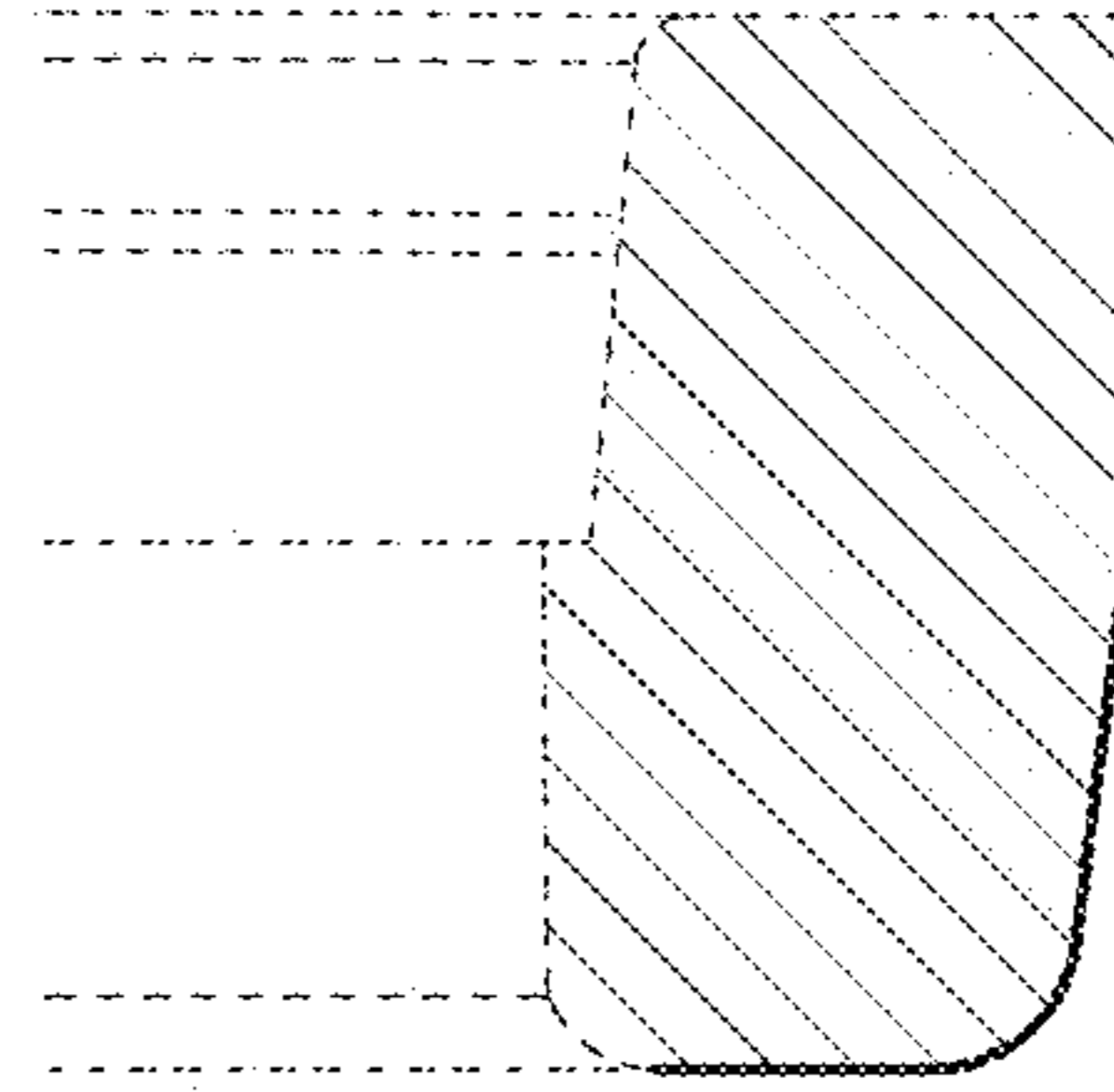


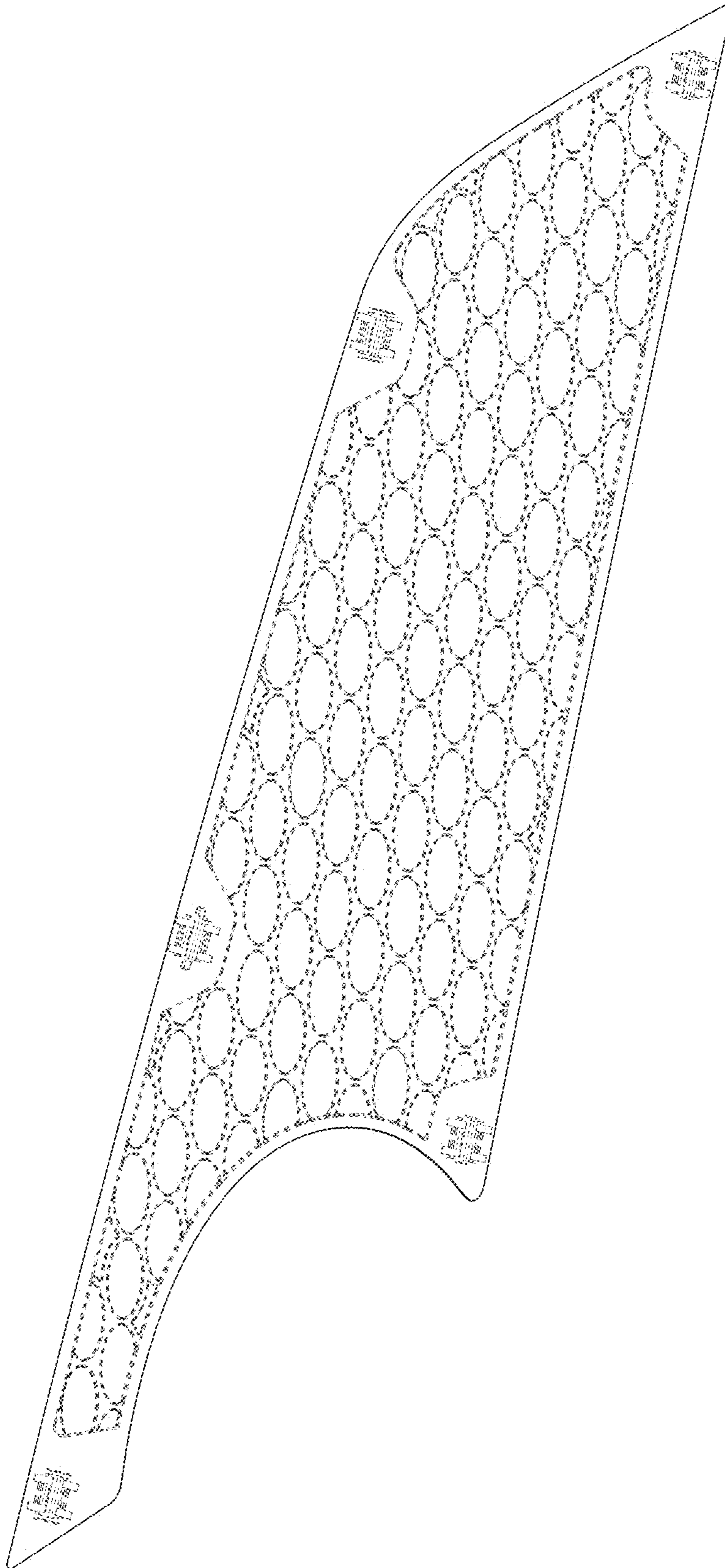
FIG. 1



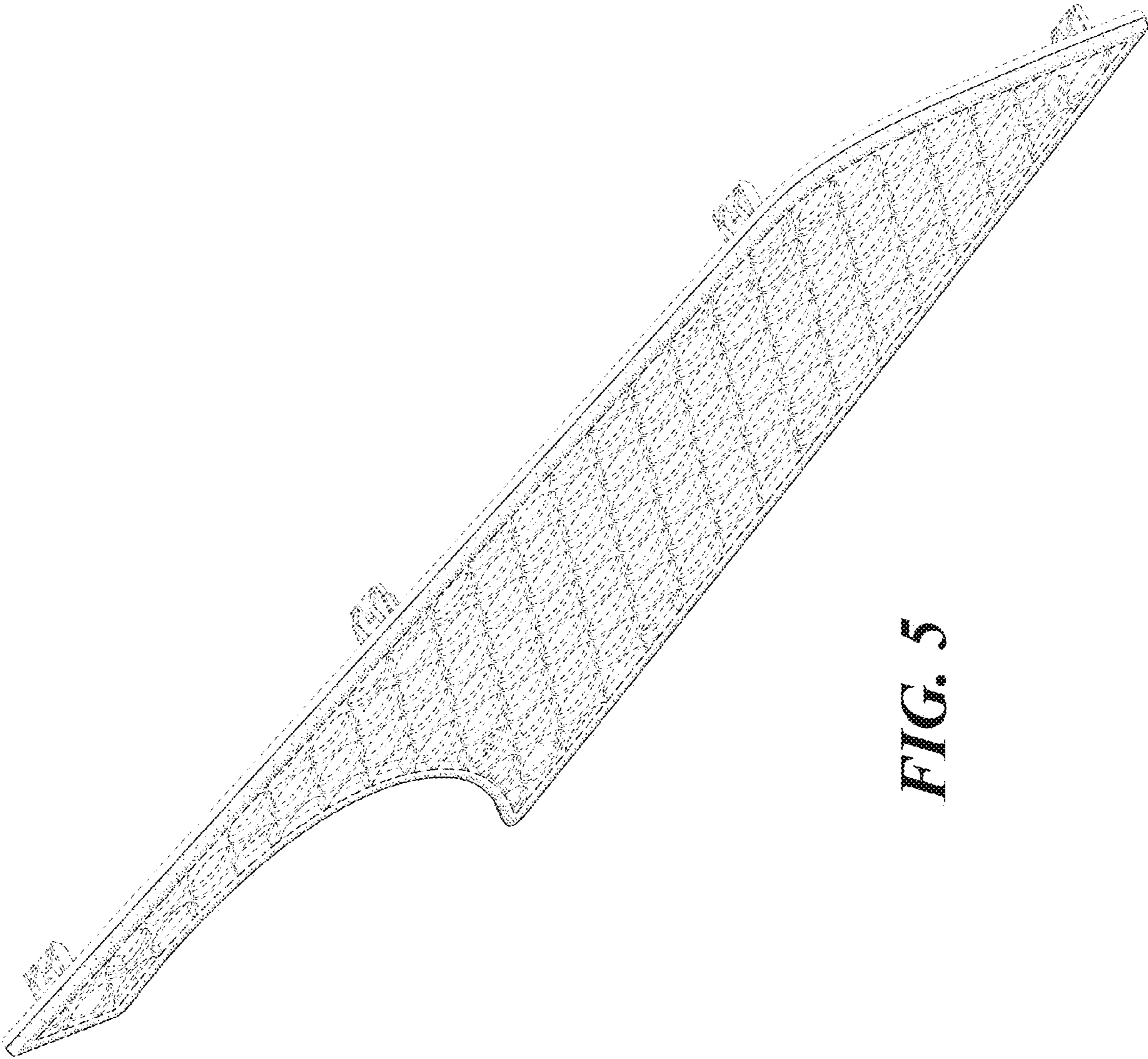
**FIG. 2**



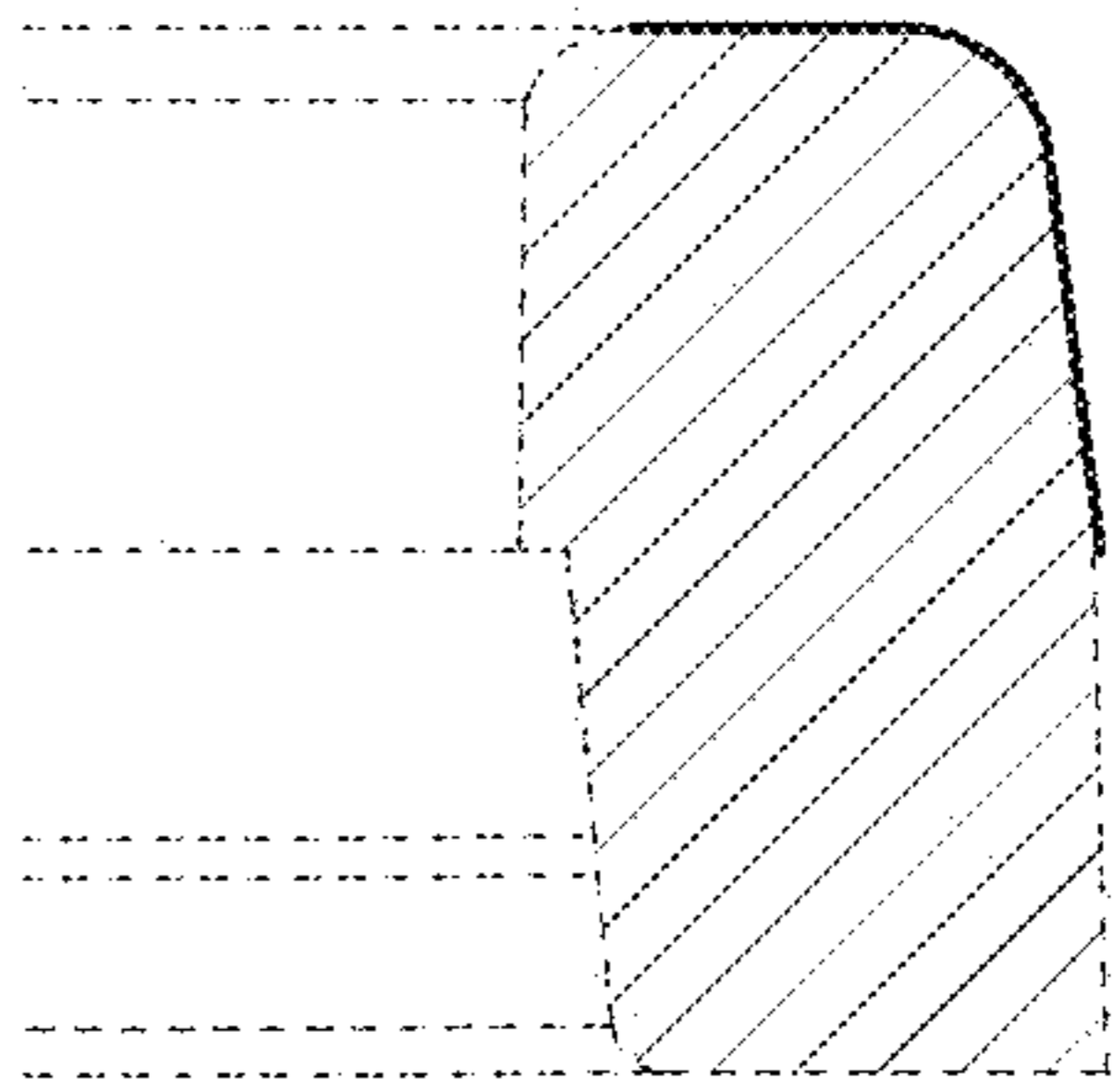
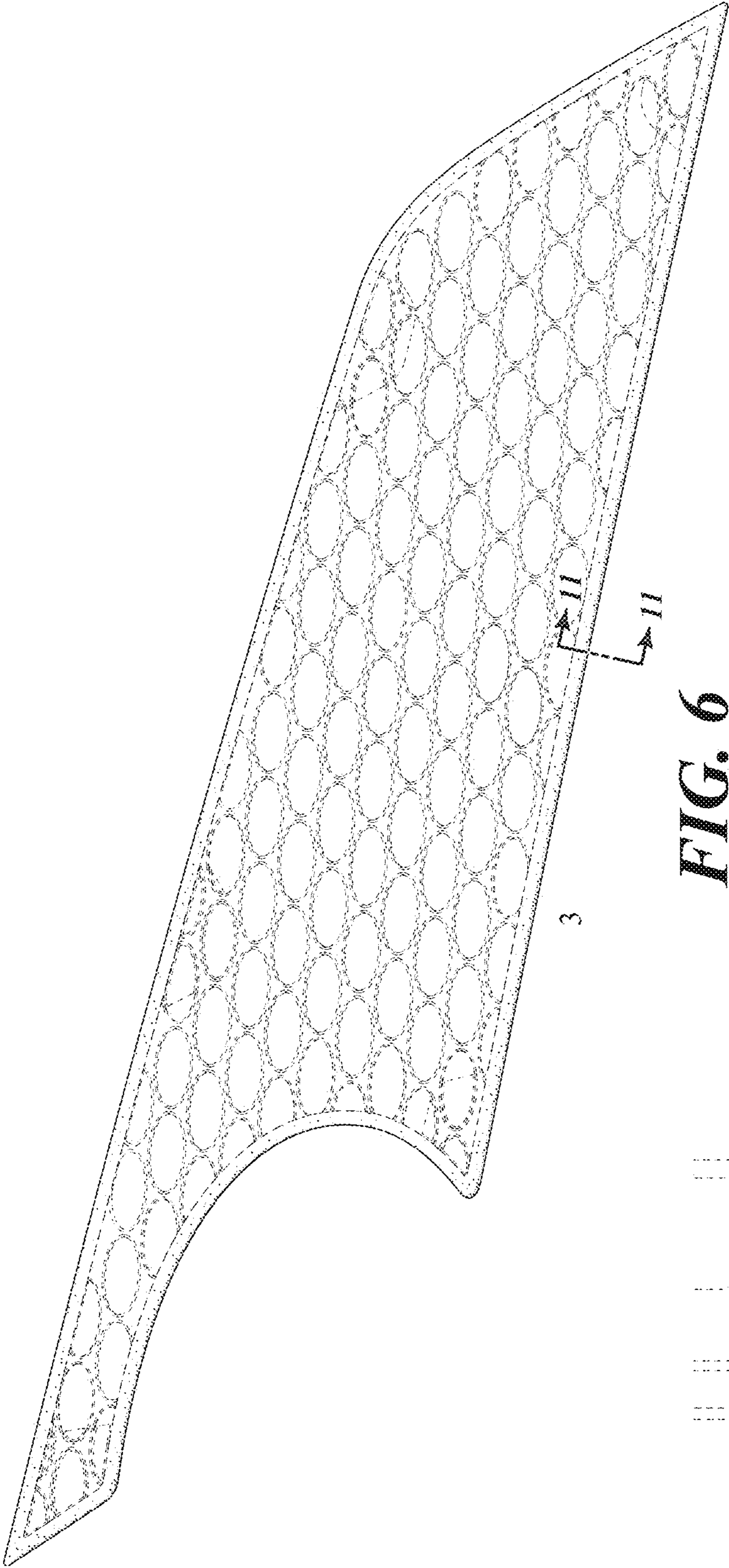
**FIG. 3**



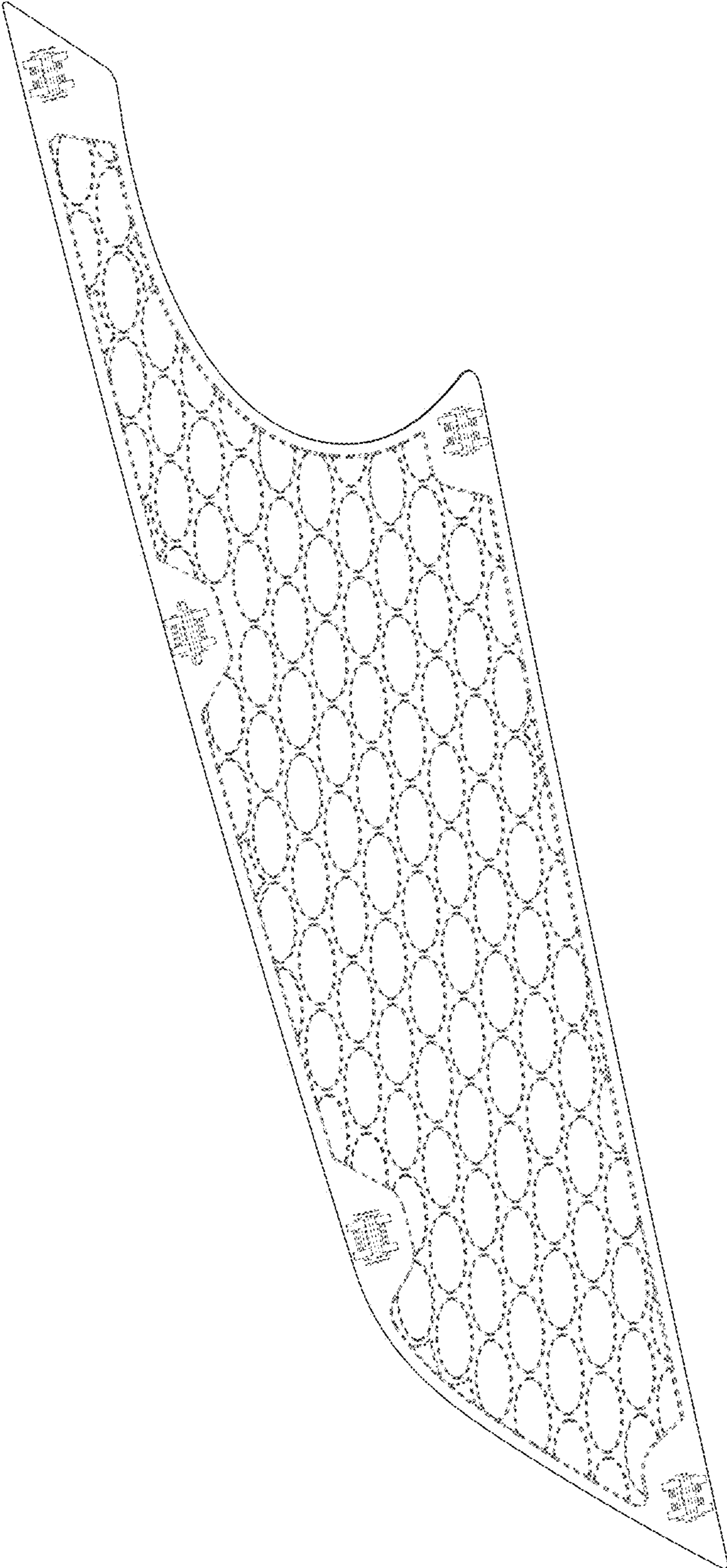
**FIG. 4**



**FIG. 5**







**FIG. 8**