



US0D1075051S

(12) **United States Design Patent** (10) **Patent No.:** **US D1,075,051 S**
Gilpin et al. (45) **Date of Patent:** **** May 13, 2025**

(54) **RAIL**
(71) Applicant: **Omni Consumer Products, LLC**,
Addison, TX (US)
(72) Inventors: **Marc A. Gilpin**, Richardson, TX (US);
Larry McNutt, Carrollton, TX (US)
(73) Assignee: **Omni Consumer Products, LLC**,
Addison, TX (US)

D378,432 S * 3/1997 Raynes G09B 21/003
D25/164
5,939,857 A 8/1999 Madigan et al.
7,040,238 B2 5/2006 Davis et al.
D706,543 S * 6/2014 Stein D20/43
(Continued)

(**) Term: **15 Years**

(21) Appl. No.: **29/805,648**
(22) Filed: **Aug. 27, 2021**
(51) **LOC (15) Cl.** **25-02**
(52) **U.S. Cl.**
USPC **D25/41.1**; D20/44
(58) **Field of Classification Search**
USPC D20/42, 43, 44; D25/38.1, 41.1,
D25/119-126, 132, 164; D34/28, 29, 35
CPC F16B 2/065; F16B 2/12; F16B 7/0042;
F16B 7/0413; F16B 7/182; F16B 2/06;
A47F 5/00; A47F 5/0018; A47F 5/0068;
Y02T 90/14; Y02T 10/70; Y02T 10/7072;
H04N 7/185; H02J 7/00; H02J 7/0042;
G09F 2007/1856; G09F 7/18; G09F 3/04;
G09F 3/08; G09F 3/18; G09F 3/204
See application file for complete search history.

FOREIGN PATENT DOCUMENTS

CN 204334006 5/2015
CN 305174737 * 5/2019
(Continued)

OTHER PUBLICATIONS

Spacee Deming <https://vimeo.com/714528754> Posted May 27, 2022
(Year: 2022).*

(Continued)

Primary Examiner — Leanne Was-Englehart
(74) *Attorney, Agent, or Firm* — Fulton Jeang, PLLC

(57) **CLAIM**

The ornamental design for a rail as shown and described.

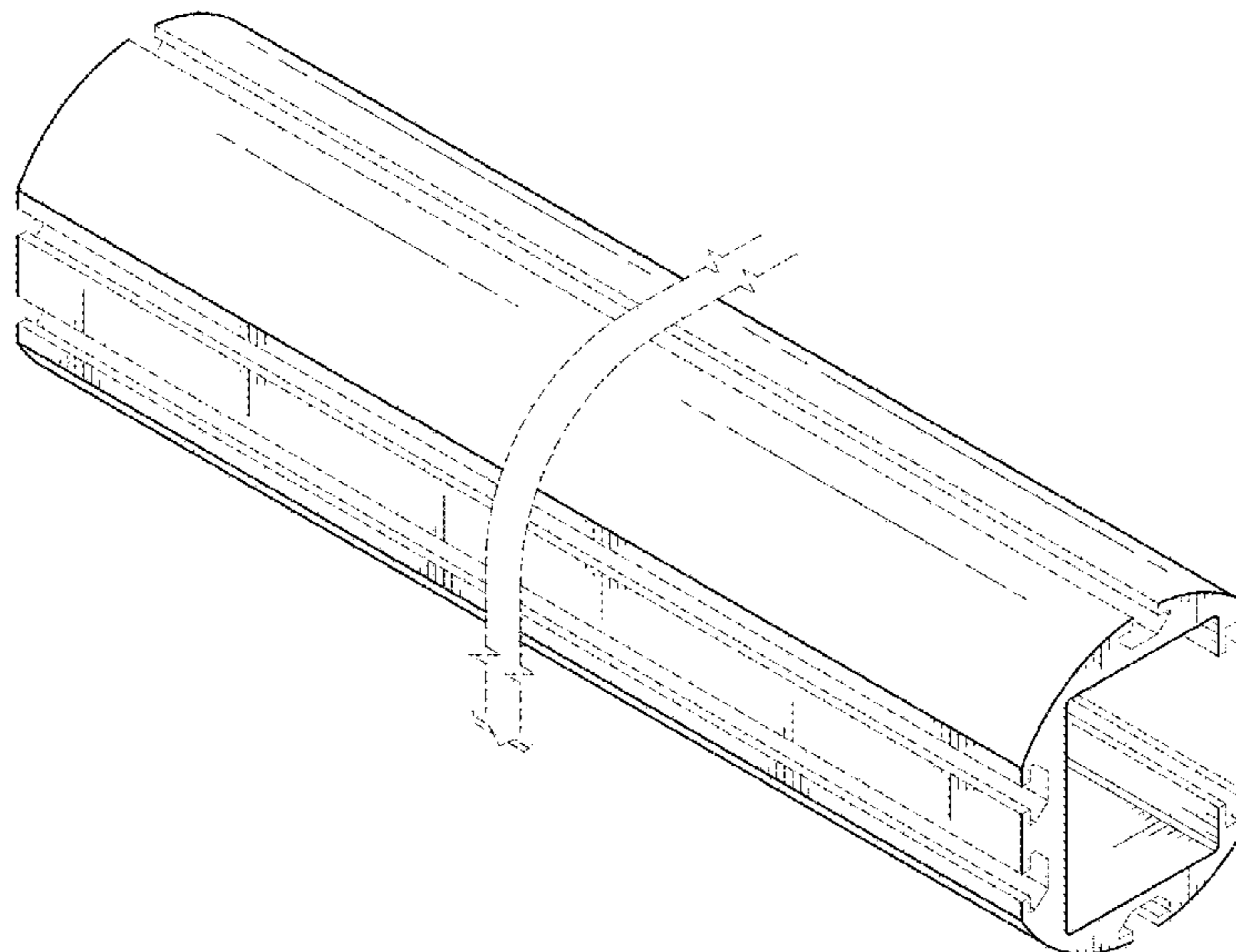
DESCRIPTION

FIG. 1 is a front perspective view of the claimed design;
FIG. 2 is a front elevation view thereof;
FIG. 3 is a rear elevation view thereof;
FIG. 4 is a right side view thereof;
FIG. 5 is a left side view thereof;
FIG. 6 is a top view thereof;
FIG. 7 is a bottom view thereof; and,
FIG. 8 is a rear perspective view thereof.
The ornamental design which is claimed is shown in solid lines in the drawings. The broken lines in the drawings are for illustrative purposes only and depict portions of the rail that form no part of the claimed design. The drawings contain a symbolic break. The portion between the break lines forms no part of the claimed design.

(56) **References Cited**
U.S. PATENT DOCUMENTS

4,475,226 A 10/1984 Greenberg
4,838,412 A 6/1989 Backman
5,074,407 A * 12/1991 Brumby F16F 1/422
198/860.3
D325,277 S * 4/1992 Abbestam D34/35
D333,901 S * 3/1993 Swartz D34/28
5,347,431 A 9/1994 Blackwell et al.
D353,467 S * 12/1994 Raynes D25/38.1

1 Claim, 7 Drawing Sheets



(56)

References Cited

U.S. PATENT DOCUMENTS

D722,436	S *	2/2015	Stein	D20/43
9,923,341	B1	3/2018	Andersson et al.		
D876,670	S *	2/2020	Devitt	D25/41.1
D877,933	S *	3/2020	Devitt	D25/41.1
D877,934	S *	3/2020	Devitt	D25/41.1
D942,046	S *	1/2022	Corzo	D25/121
D942,047	S *	1/2022	Schulten	D25/124
11,730,285	B2 *	8/2023	Gilpin	F16B 2/12 320/107
D998,231	S *	9/2023	Au	D20/43
2014/0361077	A1	12/2014	Davidson		
2017/0317504	A1	11/2017	Hall et al.		

FOREIGN PATENT DOCUMENTS

JP	2008-207691	9/2008
JP	D1369817	* 9/2009
JP	D1509475	* 10/2014
JP	D1528313	* 7/2015
KR	300855583.0000	* 5/2016
KR	300925817.0000	* 10/2017
KR	301079955.0000	* 10/2020
KR	301129076.0000	* 9/2021
KR	301226277.0000	* 8/2023
WO	WO-2016/062246	4/2016
WO	WO-2019/032616 A1	2/2019

OTHER PUBLICATIONS

International Search Report and Written Opinion on PCT/US2020/027819 dated Jun. 22, 2020, 8 pages.

* cited by examiner

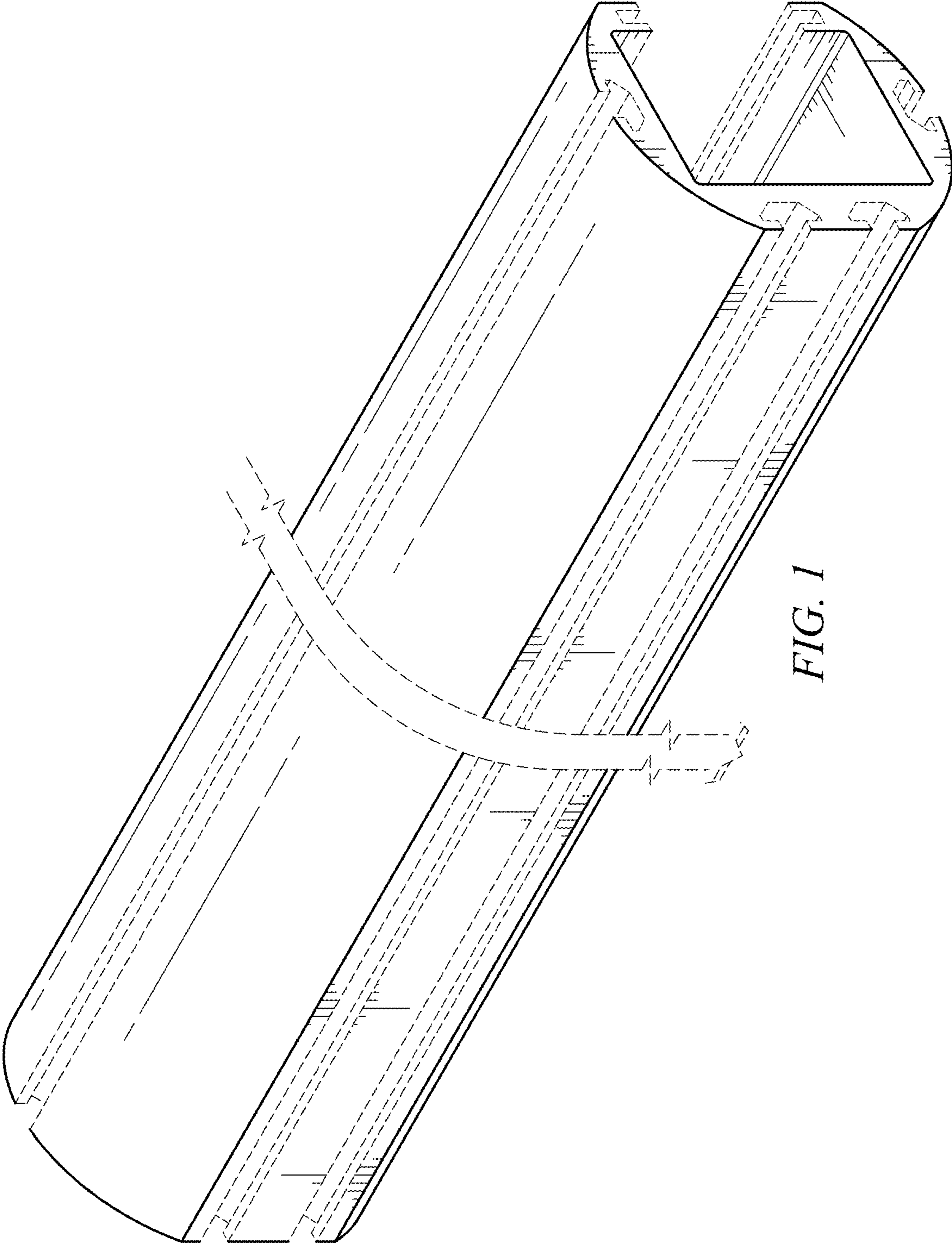


FIG. 1

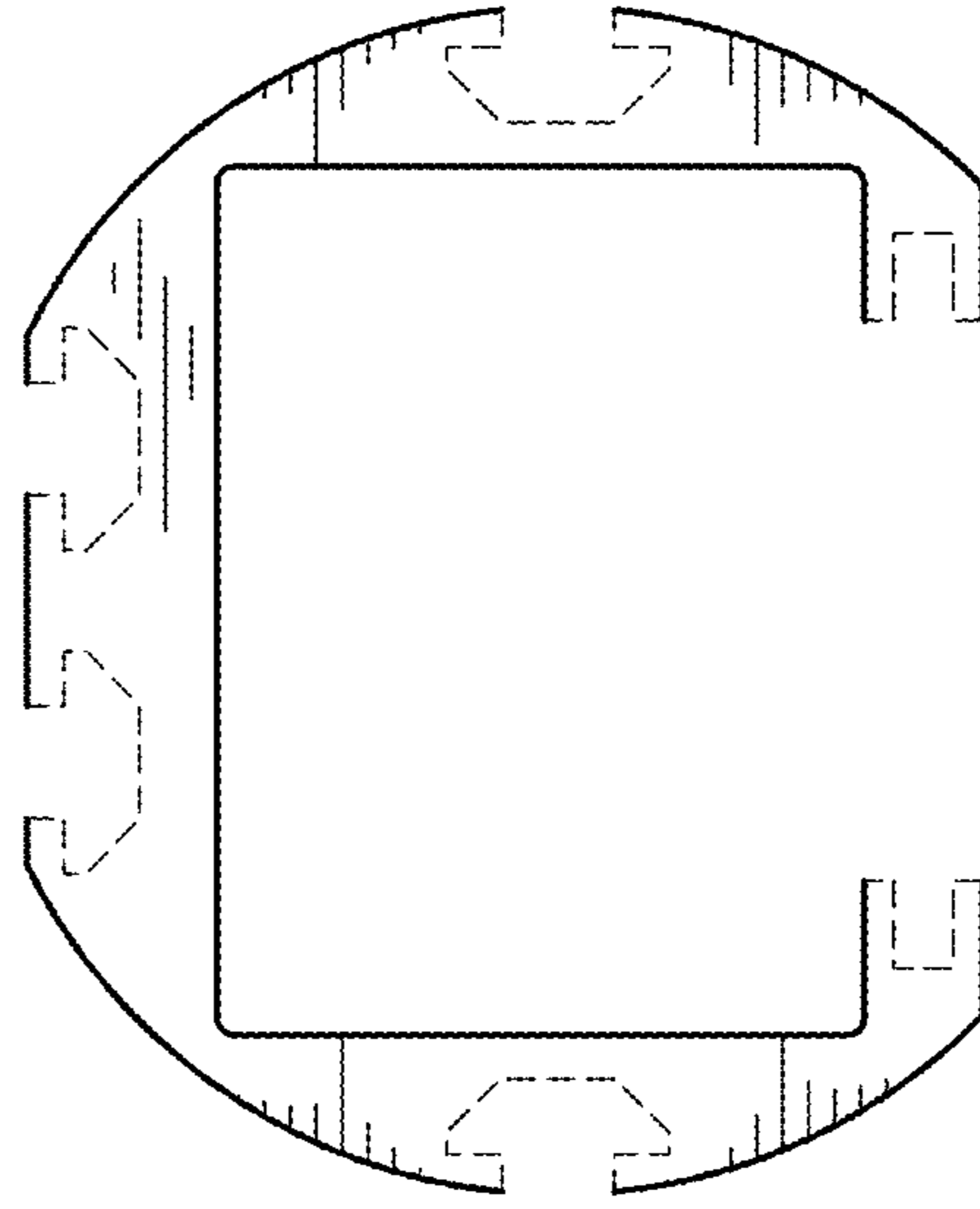


FIG. 2

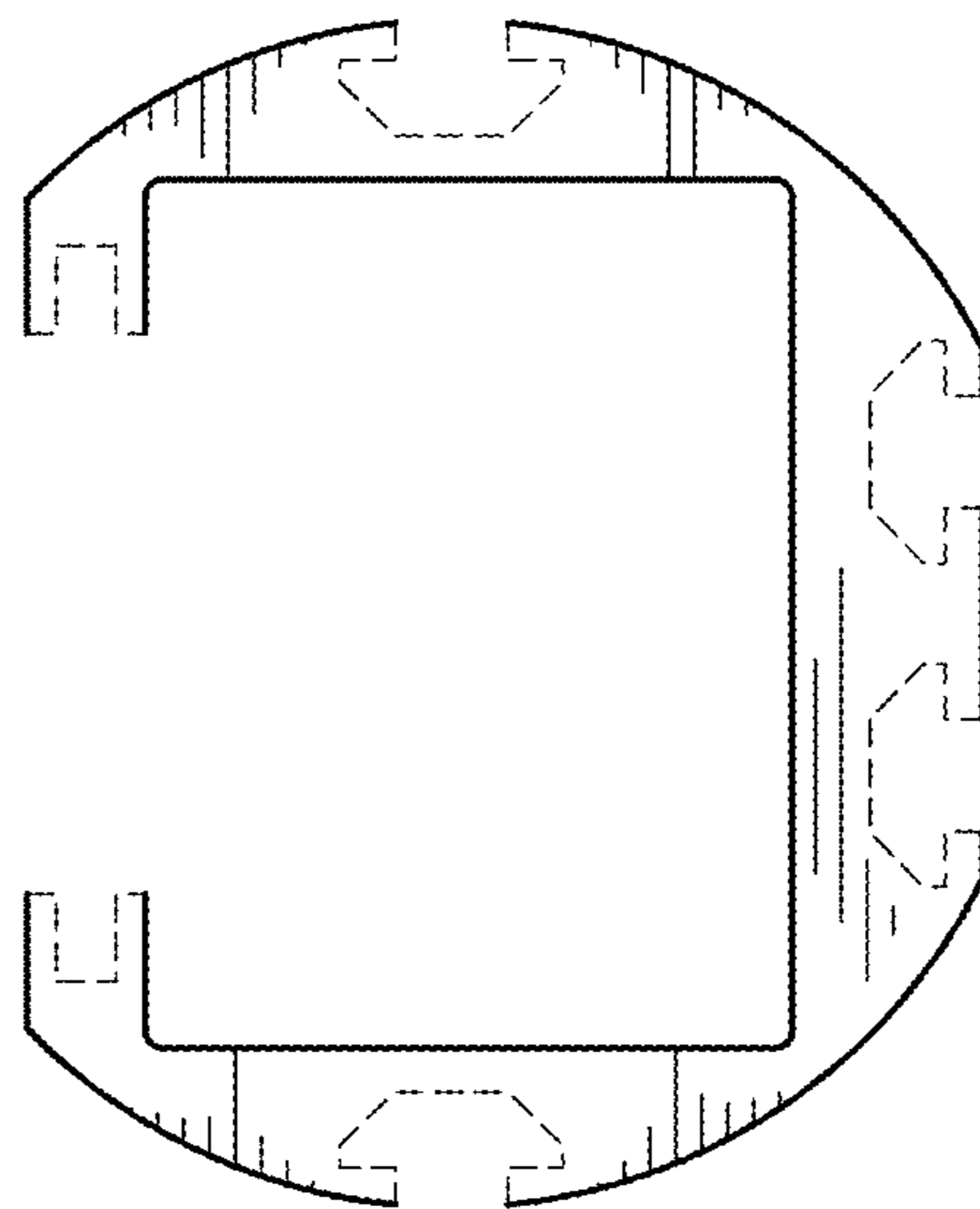


FIG. 3

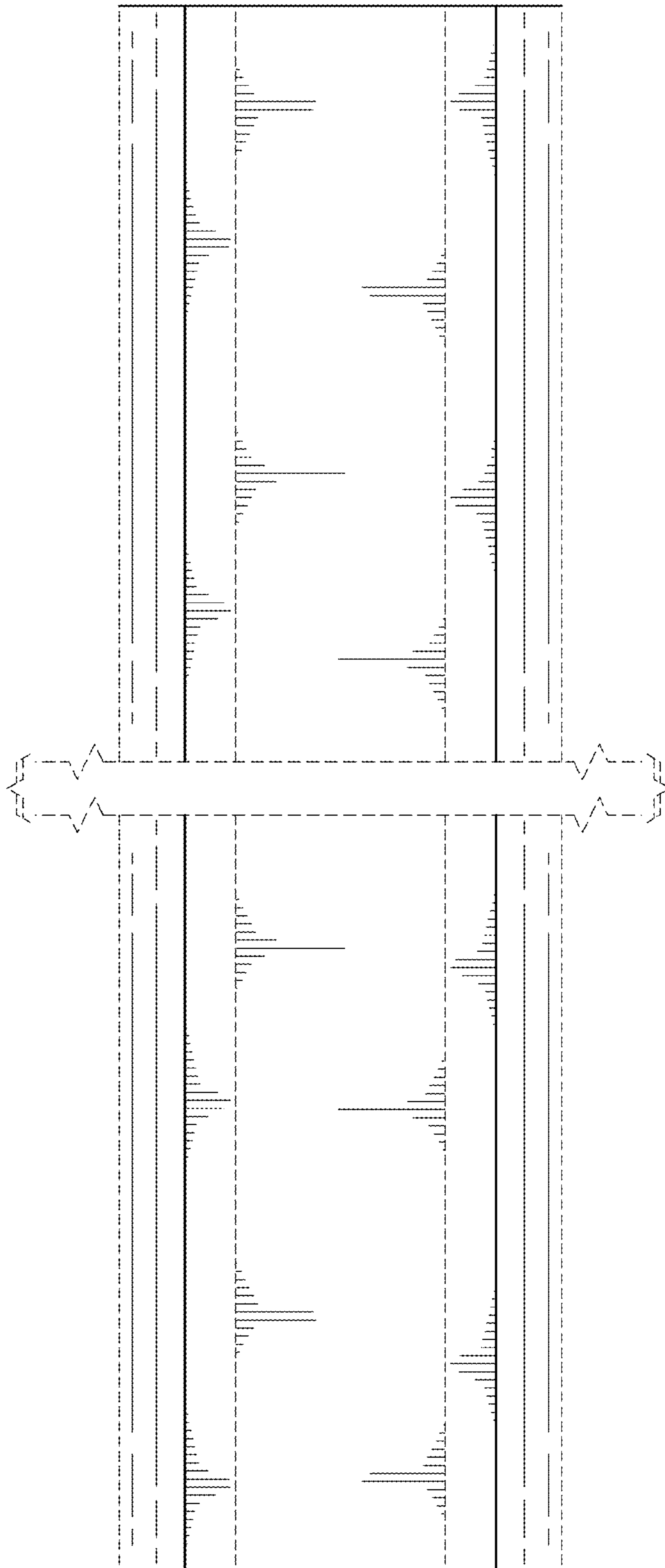


FIG. 4

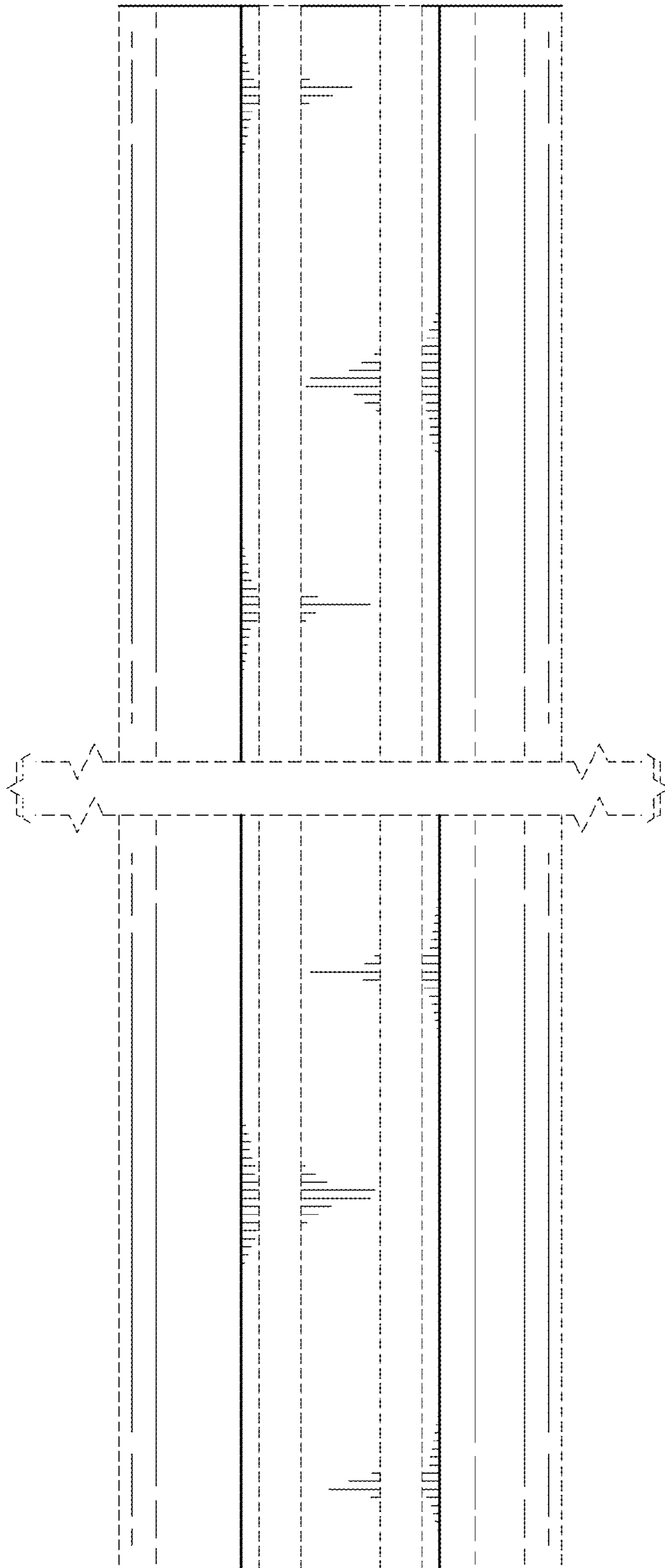


FIG. 5

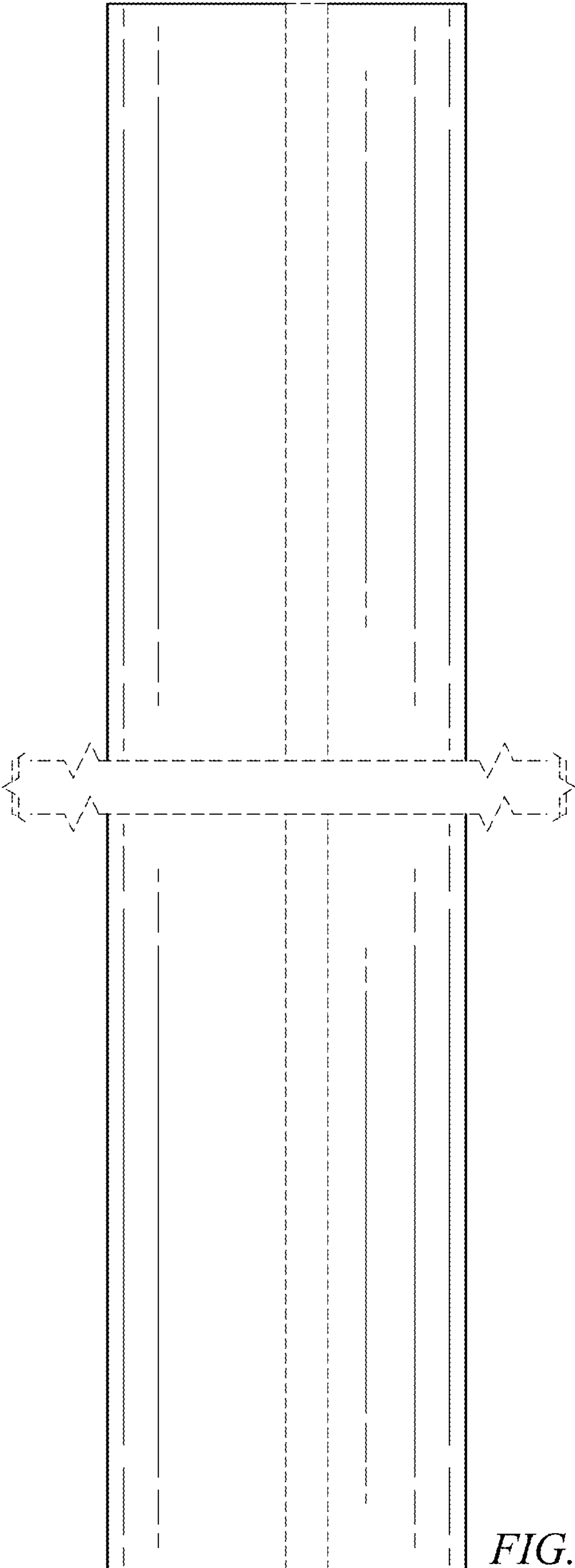


FIG. 6

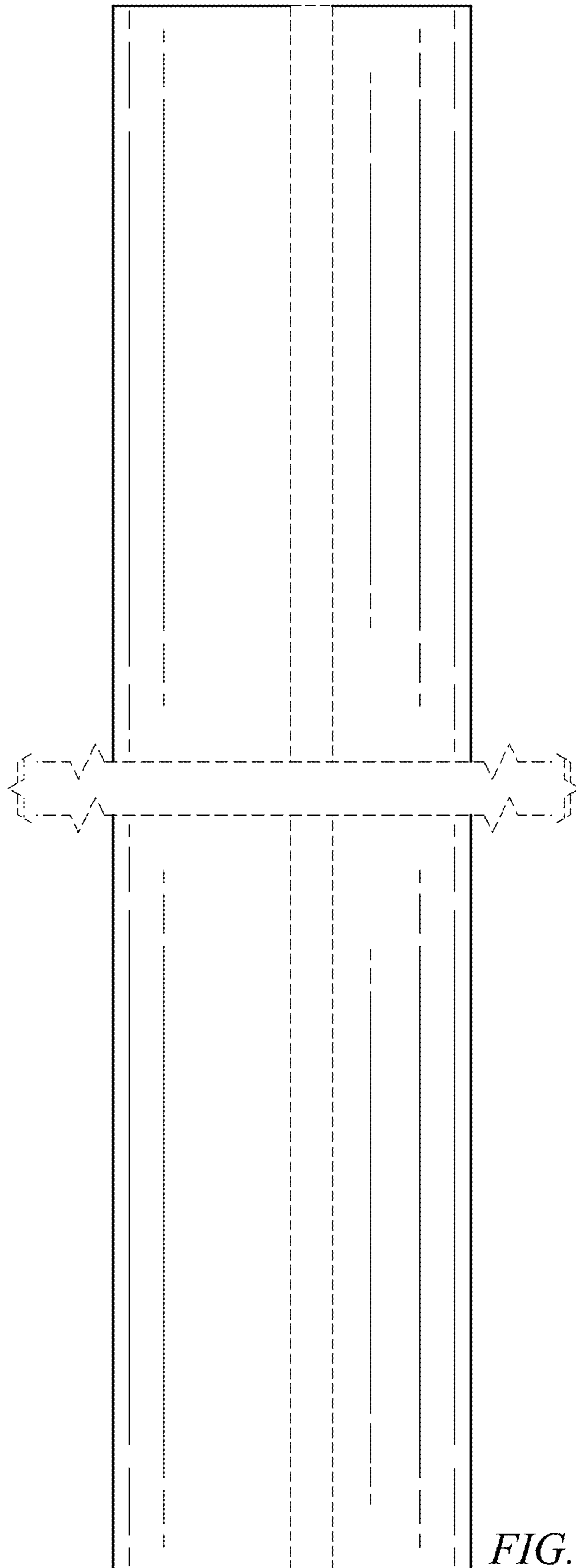


FIG. 7

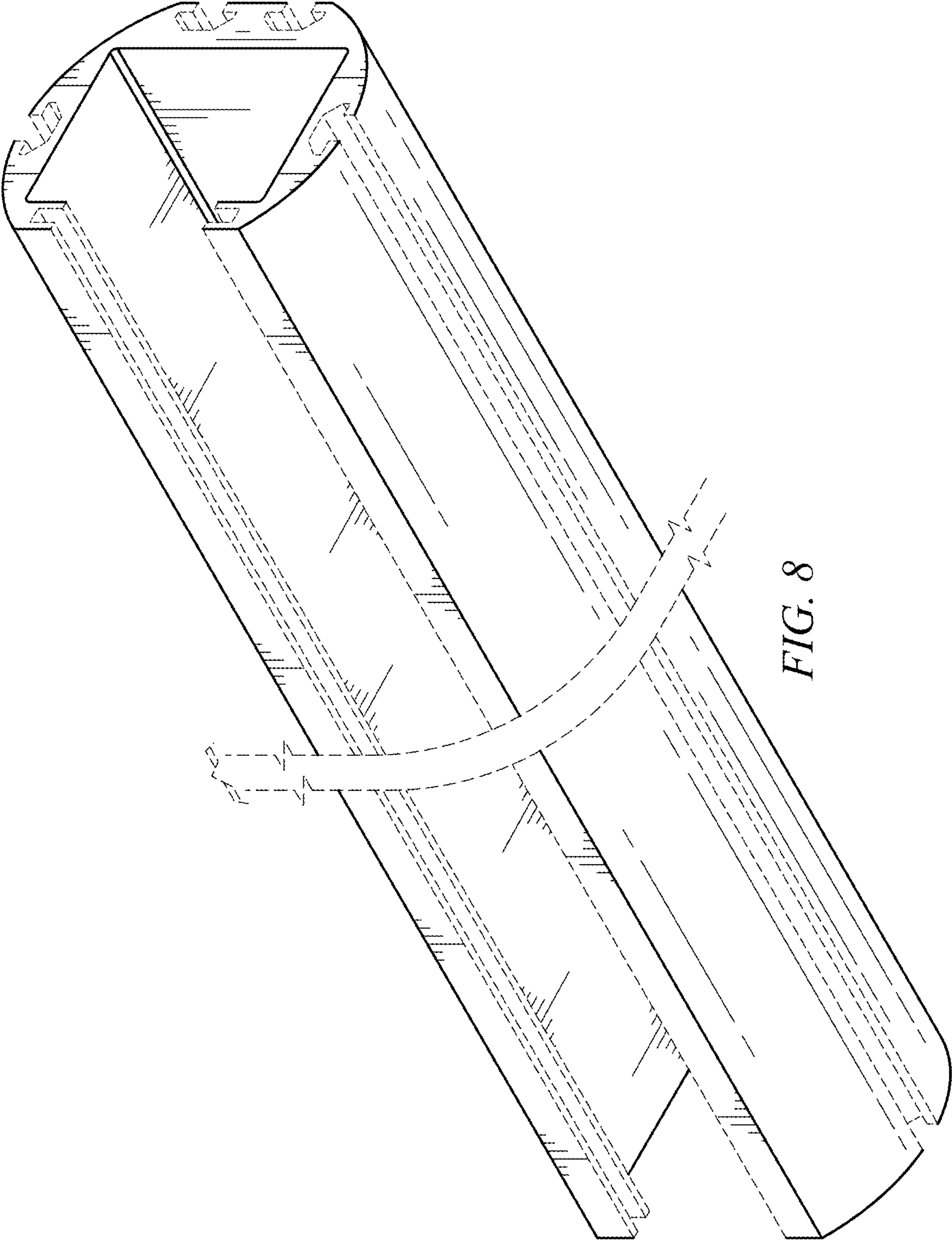


FIG. 8