



US0D1074859S

(12) **United States Design Patent** (10) **Patent No.:** **US D1,074,859 S**
Ho (45) **Date of Patent:** **** May 13, 2025**

(54) **TOY TRAIN TRACK CONNECTOR**

(71) Applicant: **Wai Hoe Ho**, Plano, TX (US)

(72) Inventor: **Wai Hoe Ho**, Plano, TX (US)

(**) Term: **15 Years**

(21) Appl. No.: **29/847,241**

(22) Filed: **Jul. 22, 2022**

(51) **LOC (15) Cl.** **21-01**

(52) **U.S. Cl.**

USPC **D21/565**; D21/564

(58) **Field of Classification Search**

USPC D21/334, 338, 456, 484, 485, 489, 493,
D21/495, 500, 564, 565, 566;
446/168-174, 429, 444-447; 238/10 F,
238/10 E, 151

CPC A63H 18/028; A63H 18/00; A63H 18/02;
A63H 18/04; A63H 18/06; A63H 18/16;
A63H 18/026; A63H 18/021; A63H
19/30; A63H 19/32; A63F 7/36; A63F
7/28; A63F 7/34; A63F 7/249; Y10T
29/49826

See application file for complete search history.

(56) **References Cited**

U.S. PATENT DOCUMENTS

2,534,458	A *	12/1950	Larrabee	A63H 18/02 52/592.4
4,147,351	A *	4/1979	Saito	A63H 18/08 446/446
4,179,066	A	12/1979	Teter		
D287,608	S *	1/1987	Petersson	D21/565
D287,609	S *	1/1987	Petersson	D21/565
5,579,997	A *	12/1996	Jackson	A63H 18/02 238/10 F
6,398,121	B1	6/2002	Morgan		
D481,424	S *	10/2003	Rothkopf	D21/565

(Continued)

FOREIGN PATENT DOCUMENTS

CN	304732529	*	7/2018
CN	307004356	*	12/2021
GB	6006392	*	2/2017

OTHER PUBLICATIONS

“Orbrium® Toys 8 Pcs Wooden Train Track,” Feb. 18, 2013, amazon.com, site visited Aug. 28, 2024, URL: <https://www.amazon.com/Orbrium-Male-Male-Female-Female-Adapter-Chuggington/dp/B0060FN7B8?th=1> (Year: 2013).*

(Continued)

Primary Examiner — Lauren D McVey

Assistant Examiner — Sarah L Smith

(74) *Attorney, Agent, or Firm* — Law Office of Sam Sokhansanj PLLC

(57) **CLAIM**

The ornamental design for a toy train track connector as shown and described.

DESCRIPTION

FIG. 1 illustrates a perspective top view for a toy train track connector.

FIG. 2 illustrates a top view of the toy train track connector of FIG. 1

FIG. 3 illustrates a bottom view of the toy train track connector of FIG. 1.

FIG. 4 illustrates a left side view of the toy train track connector of FIG. 1.

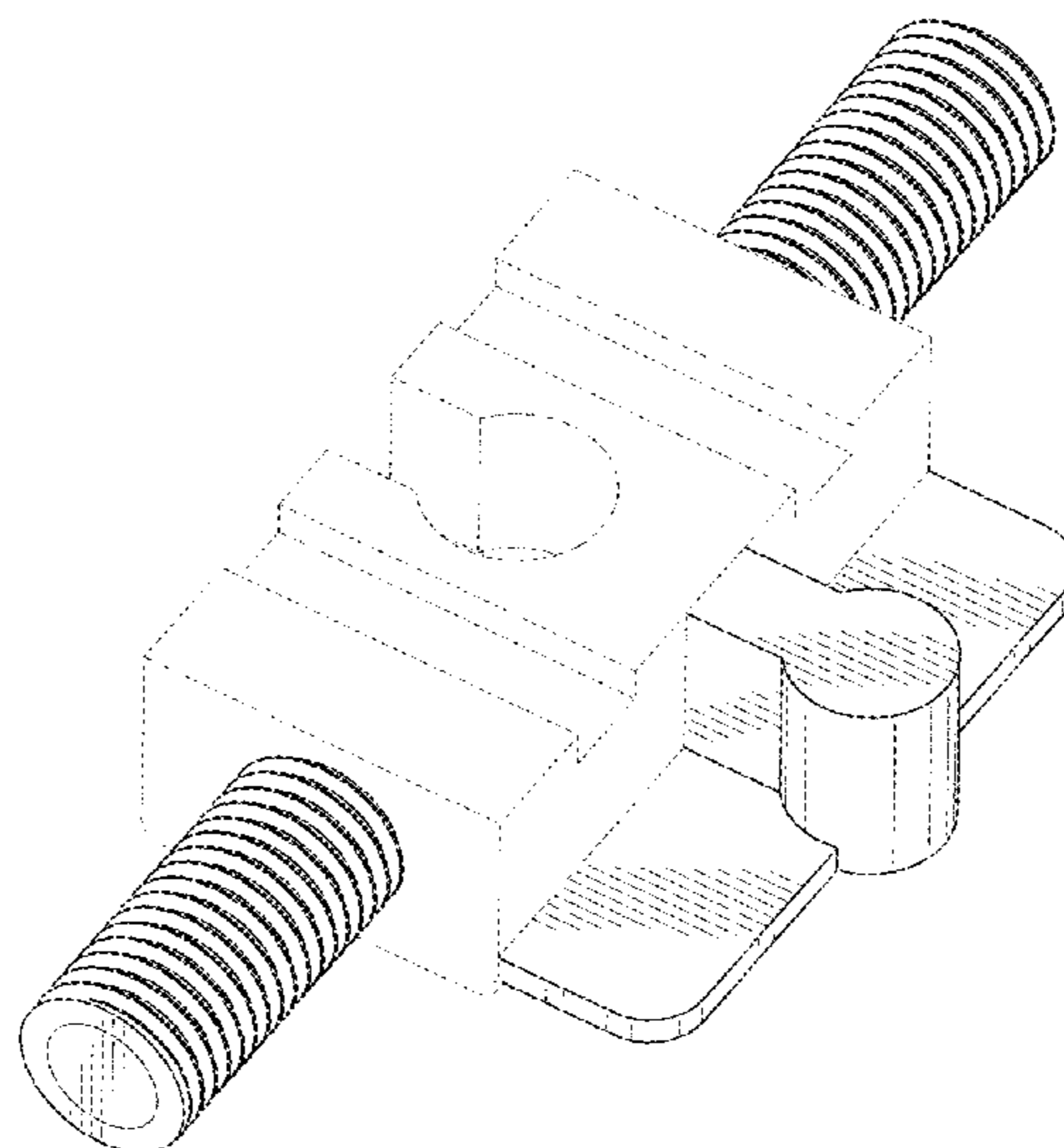
FIG. 5 illustrates a right side view of the toy train track connector of FIG. 1.

FIG. 6 illustrates a front view of the toy train track connector of FIG. 1; and,

FIG. 7 illustrates a rear view of the toy train track connector of FIG. 1.

The broken lines immediately adjacent to the shaded areas depict the bounds of the claimed design, while all other broken lines are directed to environment. The broken lines form no part of the claimed design.

1 Claim, 5 Drawing Sheets



(56)

References Cited

U.S. PATENT DOCUMENTS

6,648,237	B2	11/2003	Rothkopf et al.	
D856,436	S *	8/2019	Johnson	D21/564
10,967,286	B1	4/2021	Ho	
D947,960	S *	4/2022	Ho	D21/564
2015/0343319	A1 *	12/2015	O'Connor	A63H 18/026
				446/429
2016/0067621	A1 *	3/2016	Moreno	A63H 19/30
				238/10 E
2022/0184514	A1 *	6/2022	Todokoro	A63H 19/32
2023/0111261	A1 *	4/2023	Helinski	A63H 18/02
				446/116
2024/0042340	A1 *	2/2024	Ho	A63H 18/02

OTHER PUBLICATIONS

“Baymo3D | 12x track adapters,” Jun. 23, 2022, amazon.co.uk, site visited Aug. 28, 2024, URL: https://www.amazon.co.uk/dp/B0B4X4GZZC/ref=sspa_dk_detail_2?psc=1&pd_rd_i=B0B4X4GZZC (Year: 2022).*

“Tiny Conductors 18 Piece Wooden Train Track Connectors & Adapters”, Kmart, p. 1, retrieved on Jul. 22, 2022 from: <https://www.kmart.com/tiny-conductors-18-piece-wooden-train-track-connectors/p-A067930897>.

Toy Tracks, p. 1, date unknown.

* cited by examiner

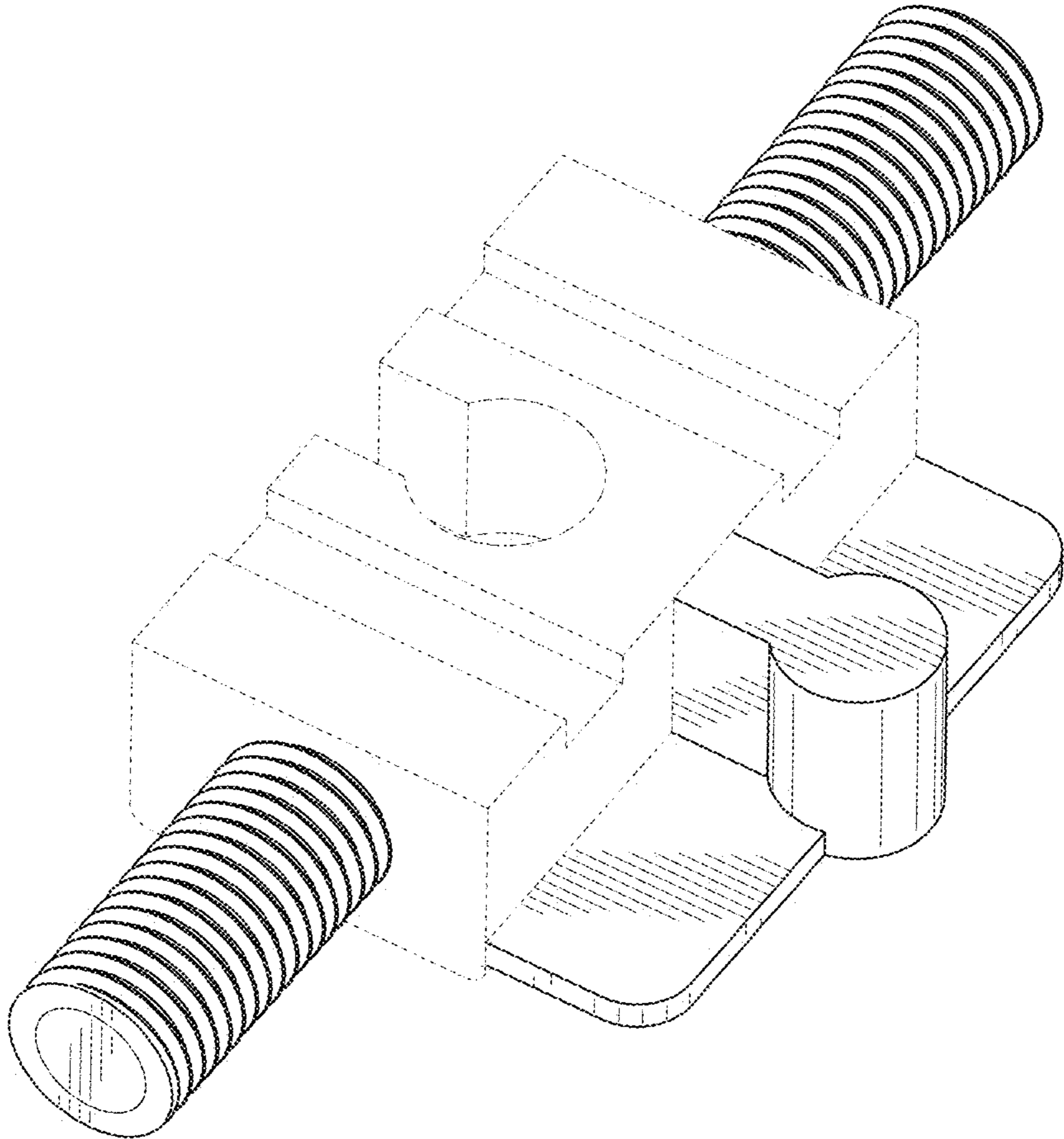


FIG. 1

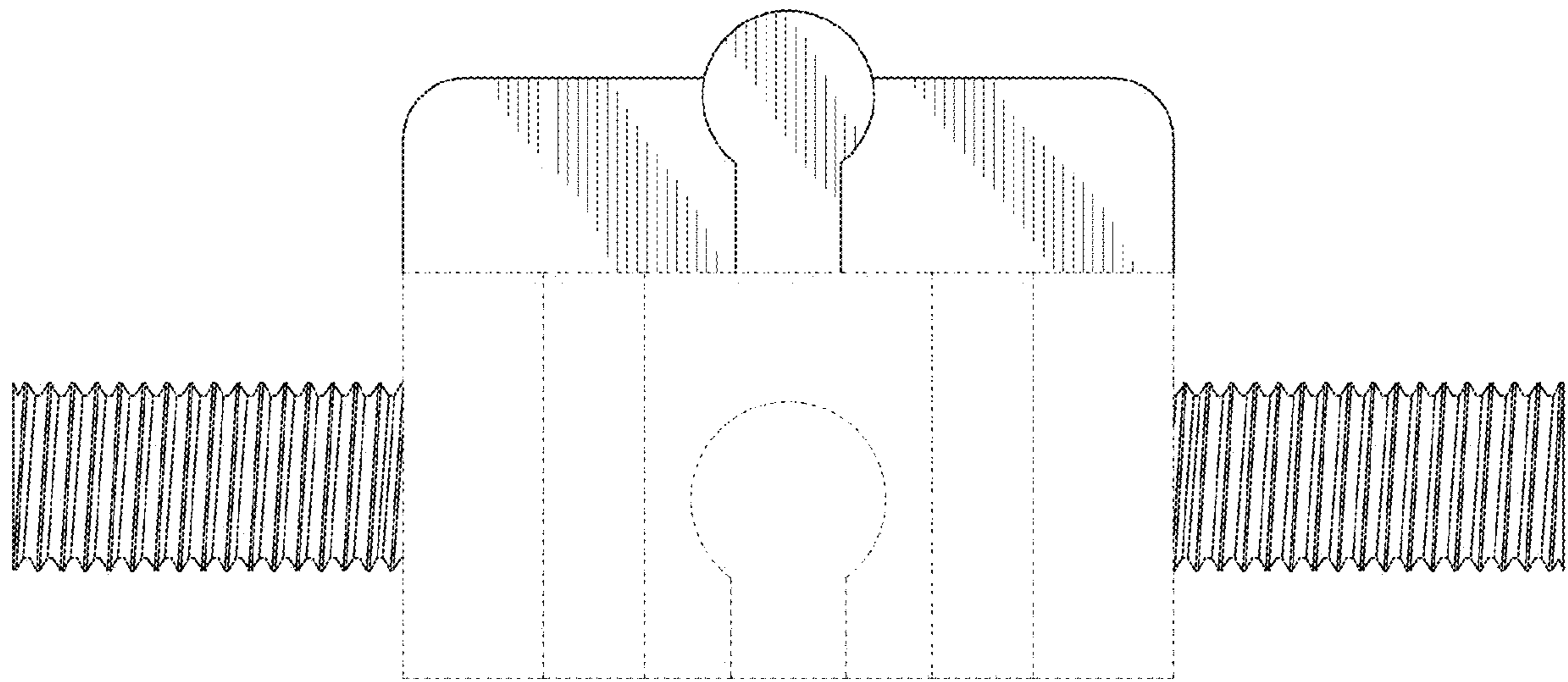


FIG. 2

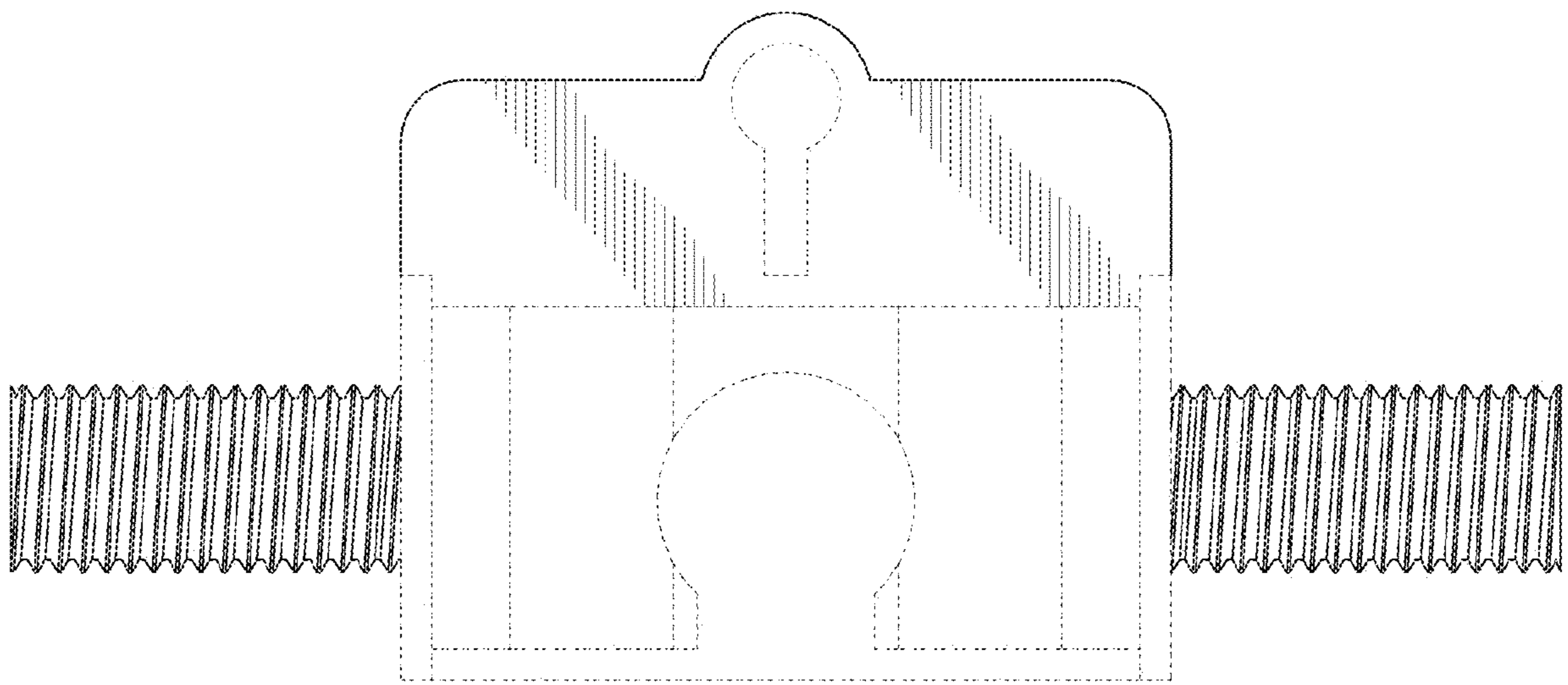


FIG. 3

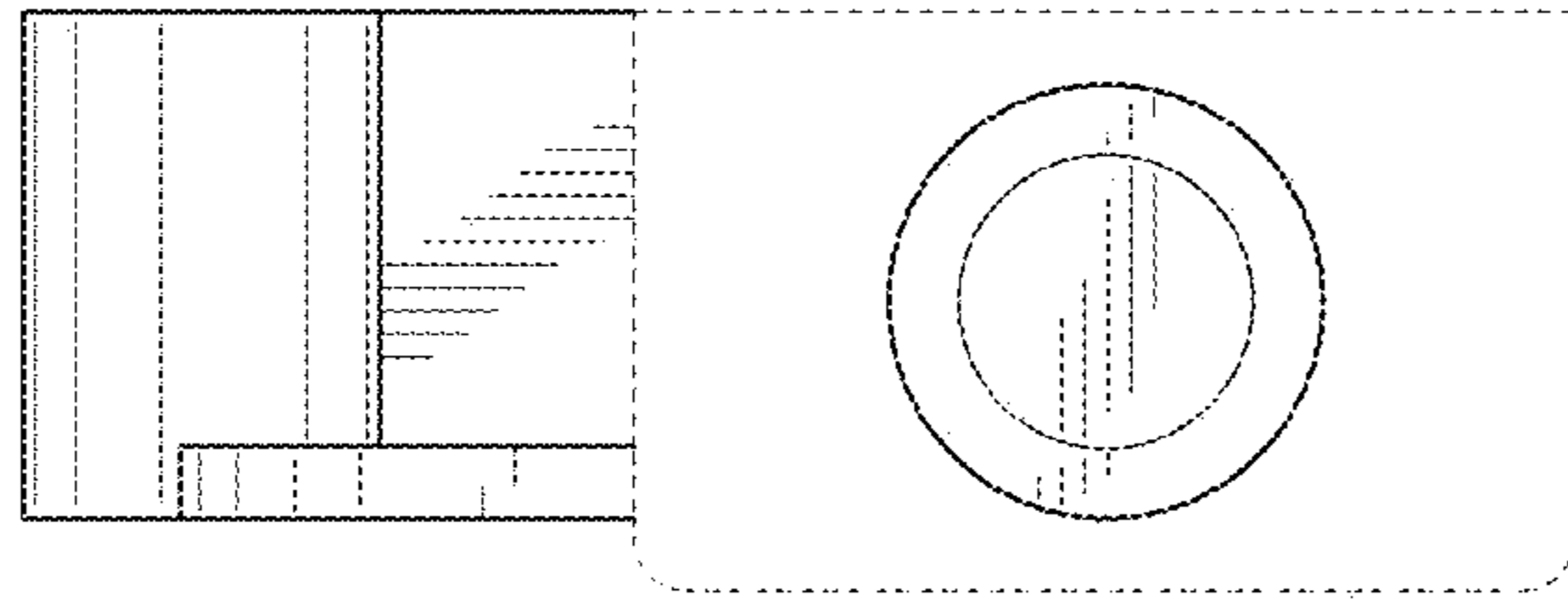


FIG. 4

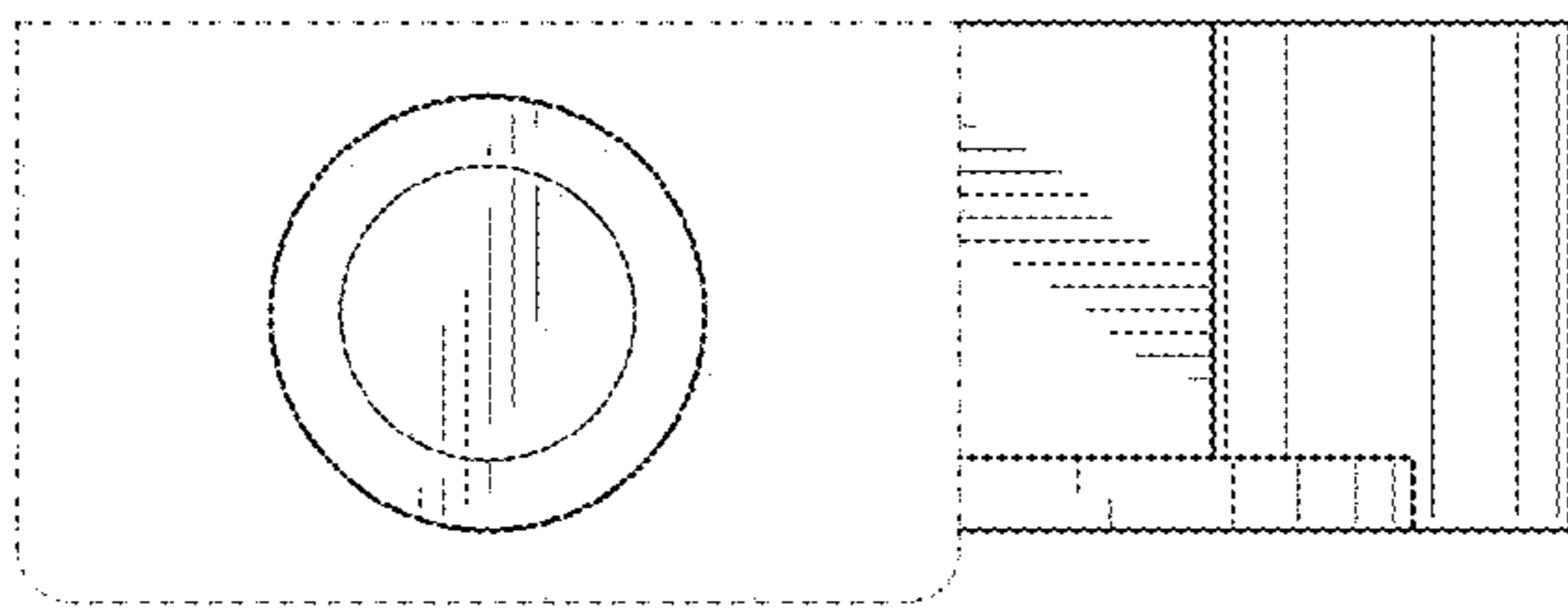


FIG. 5

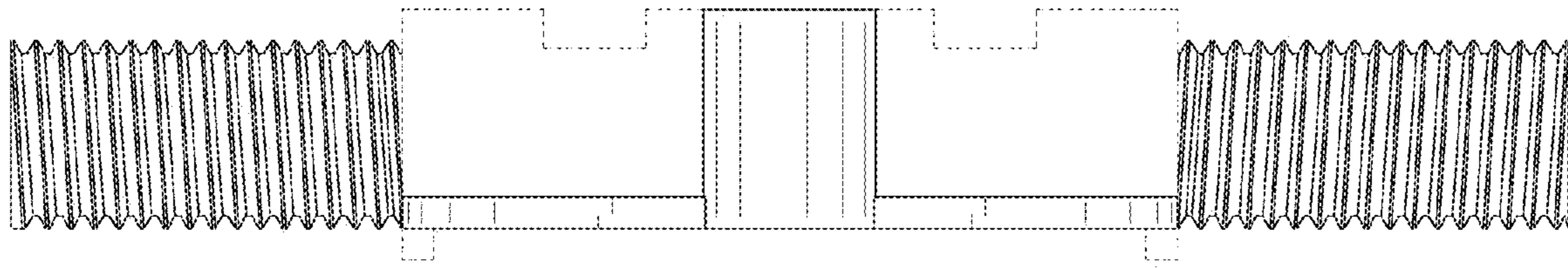


FIG. 6

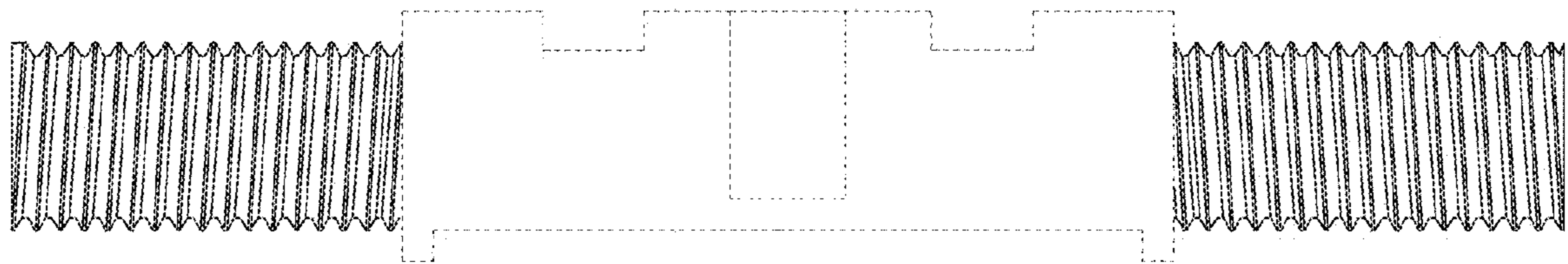


FIG. 7