



US0D1074858S

(12) **United States Design Patent** (10) **Patent No.: US D1,074,858 S**  
**Wood et al.** (45) **Date of Patent: \*\* May 13, 2025**

(54) **MODEL VEHICLE CASTER BLOCK**

FOREIGN PATENT DOCUMENTS

(71) Applicant: **TRAXXAS, L.P.**, McKinney, TX (US)

CN 303934573 11/2016  
DE 102008057196 A1 7/2009

(72) Inventors: **Jonathan Scott Wood**, Campbell, CA (US); **Trent Collins**, McKinney, TX (US); **Otto Karl Allmendinger**, Rowlett, TX (US); **Adam Cole Ewing**, McKinney, TX (US)

(Continued)

(73) Assignee: **TRAXXAS, L.P.**, McKinney, TX (US)

OTHER PUBLICATIONS

(\*\*) Term: **15 Years**

Traxxas Sledge Aluminum Caster Blocks Left & Right (Dark Titanium) (2), Part#: TRA9532A, as shown in www.hobbytown.com, Aug. 9, 2022. (Year: 2022).\*

(21) Appl. No.: **29/829,406**

*Primary Examiner* — George J Ulsh

(22) Filed: **Mar. 4, 2022**

*Assistant Examiner* — Gregory G McLemore

(51) **LOC (15) Cl.** ..... **21-01**

(74) *Attorney, Agent, or Firm* — Daryl R. Wright; Greg Carr

(52) **U.S. Cl.**

USPC ..... **D21/562**; D21/561

(57) **CLAIM**

(58) **Field of Classification Search**

USPC ..... D21/424, 433, 434, 548, 549, 561, 562, D21/581; D12/133

The ornamental design for a model vehicle caster block as shown and described.

CPC ..... A63H 17/262; A63H 17/36; A63H 17/26; A63H 17/002

**DESCRIPTION**

See application file for complete search history.

FIG. 1 is an upper, left, front perspective view of a model vehicle caster block showing our new design; FIG. 2 is a lower, right, front perspective view thereof; FIG. 3 is an upper, right, rear perspective view thereof; FIG. 4 is an upper, right, front perspective view thereof; FIG. 5 is a left side elevation view thereof; FIG. 6 is a right side elevation view thereof; FIG. 7 is a front elevation view thereof; FIG. 8 is a rear elevation view thereof; FIG. 9 is an upper plan view thereof; and, FIG. 10 is a lower plan view of the model vehicle caster block.

(56) **References Cited**

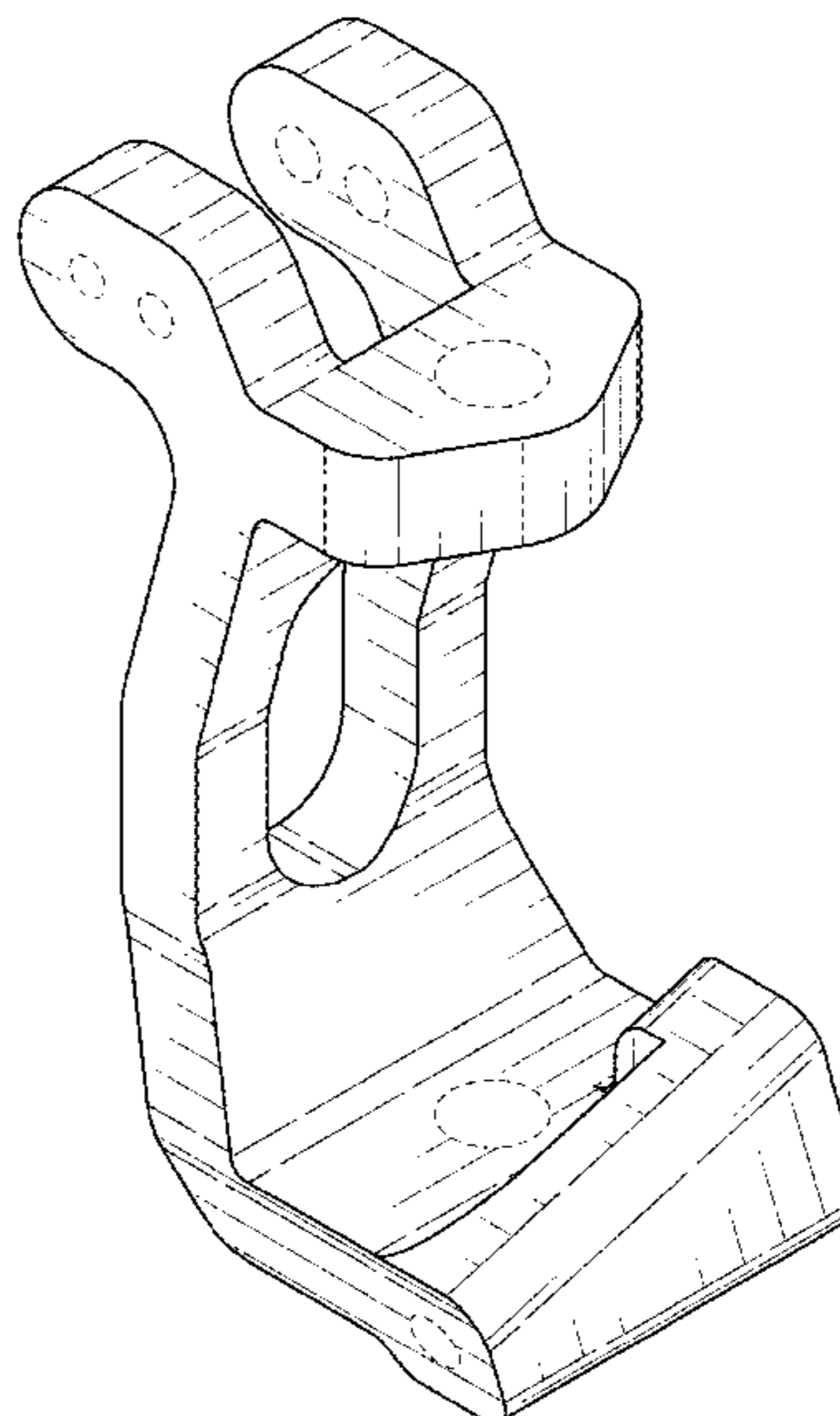
U.S. PATENT DOCUMENTS

1,377,905 A	5/1921	Martz
1,455,706 A	5/1923	Bower et al.
2,041,992 A	5/1936	Noel
2,083,085 A	6/1937	Palmer
2,132,545 A	10/1938	Smith
2,547,435 A	4/1951	Bouchard
3,306,077 A	2/1967	Piatti
3,333,654 A	8/1967	Price-Stephens
3,767,221 A	10/1973	Asberg
D242,442 S	11/1976	Garrison
D246,451 S	11/1977	Shealy
D246,921 S	1/1978	Moline
4,509,932 A	4/1985	Weible

(Continued)

In the drawings, the broken lines illustrate portions of the model vehicle caster block that form no part of the claimed design.

**1 Claim, 5 Drawing Sheets**



(56)

References Cited

U.S. PATENT DOCUMENTS

4,632,203 A 12/1986 Krude  
 4,690,656 A 9/1987 Friendman et al.  
 D304,472 S 11/1989 Poulsen  
 D304,473 S 11/1989 Poulsen  
 D304,746 S 11/1989 Poulsen  
 D311,942 S 11/1990 Dideriksen  
 D327,280 S 6/1992 Macomber  
 D332,978 S 2/1993 Tsuchiya  
 D341,560 S 11/1993 Fabris et al.  
 5,338,247 A 8/1994 Miles  
 5,498,208 A 3/1996 Braun  
 5,516,130 A 5/1996 Mitchell  
 D385,835 S 11/1997 Webster  
 D403,023 S 12/1998 Araki  
 5,954,586 A 9/1999 Kirson  
 D424,988 S 5/2000 Rothlisberger  
 6,394,878 B1 5/2002 Wang  
 6,416,136 B1 7/2002 Smith  
 6,478,709 B1 11/2002 Irwin et al.  
 6,513,614 B2 2/2003 Knutson et al.  
 6,773,353 B2 8/2004 Cornay et al.  
 6,779,755 B1 8/2004 Thomsen  
 6,796,404 B1 9/2004 Dick, Jr. et al.  
 6,820,707 B1 11/2004 Cantemir  
 D516,582 S 3/2006 Giddens  
 7,144,326 B2 12/2006 Thompson  
 D564,951 S 3/2008 Gile  
 D605,985 S 12/2009 Pennala  
 7,690,660 B2 4/2010 Dudding et al.  
 7,810,604 B2 10/2010 Byers et al.  
 7,841,923 B2 11/2010 Marzetta et al.  
 D661,713 S 6/2012 Marchesan  
 D677,608 S 3/2013 Kientzy  
 D686,677 S 7/2013 Simonds  
 D686,952 S 7/2013 Rau et al.  
 8,540,260 B1 9/2013 Batdorf et al.  
 8,574,022 B2 11/2013 Grisolia et al.  
 D717,216 S 11/2014 Dunn et al.  
 8,893,364 B2 11/2014 Rode  
 D736,681 S 8/2015 Awasa  
 D788,653 S 6/2017 Smith  
 D798,906 S 10/2017 Bennett et al.  
 D799,552 S 10/2017 McGinley  
 D822,125 S 7/2018 Ewing et al.  
 D826,340 S 8/2018 Ewing et al.  
 D840,282 S 2/2019 Coste  
 D843,273 S 3/2019 Audley-Coote  
 D845,182 S 4/2019 Sagawa et al.  
 D845,398 S 4/2019 Wood  
 D845,842 S 4/2019 Sun  
 D847,911 S 5/2019 Wood  
 D847,912 S 5/2019 Wood  
 D866,683 S 11/2019 Ewing et al.  
 D868,171 S 11/2019 Wood  
 D869,348 S 12/2019 Kucharski  
 D871,273 S 12/2019 Bhaskar  
 D878,974 S 3/2020 McGaughy  
 D880,279 S 4/2020 Marchesan  
 D880,375 S 4/2020 McGaughy  
 D887,359 S 6/2020 McCoy, Jr.  
 D891,998 S 8/2020 Smith  
 D900,250 S 10/2020 Ewing et al.  
 D902,089 S 11/2020 Ewing et al.  
 D902,091 S 11/2020 Ewing et al.  
 D904,532 S 12/2020 Ewing et al.  
 D905,799 S 12/2020 Ewing et al.  
 D913,166 S 3/2021 Kiska  
 D923,115 S 6/2021 Ewing et al.  
 D923,116 S 6/2021 Ewing et al.  
 D923,722 S 6/2021 Ewing et al.  
 D931,151 S 9/2021 Wade et al.  
 D944,901 S 3/2022 Ewing et al.  
 D945,488 S 3/2022 Mathura  
 D945,897 S 3/2022 Brumbach  
 D947,290 S 3/2022 Christensen et al.

D947,958 S 4/2022 Christensen et al.  
 D947,959 S 4/2022 Christensen et al.  
 D951,150 S 5/2022 Ewing et al.  
 D951,299 S 5/2022 Nyren  
 D954,610 S 6/2022 Owens et al.  
 D954,611 S 6/2022 Owens et al.  
 D954,612 S 6/2022 Owens et al.  
 11,378,176 B2 7/2022 Fast  
 D961,690 S 8/2022 Ewing  
 D996,528 S 8/2023 Christensen et al.  
 D1,014,657 S 2/2024 Christensen et al.  
 D1,014,658 S 2/2024 Christensen et al.  
 D1,032,424 S 6/2024 Smith  
 D1,049,262 S 10/2024 Wood et al.  
 D1,051,244 S 11/2024 Ewing  
 D1,056,074 S \* 12/2024 Poteet ..... D21/562  
 D1,058,702 S \* 1/2025 Poteet ..... D21/562  
 D1,059,500 S \* 1/2025 Collins ..... D21/562  
 2002/0065021 A1 5/2002 Wang  
 2002/0077025 A1 6/2002 Wu  
 2002/0160688 A1 10/2002 Rehkemper et al.  
 2002/0165031 A1 11/2002 Riefe  
 2003/0110885 A1 6/2003 Beutler  
 2004/0005931 A1 1/2004 Wang et al.  
 2004/0231910 A1 11/2004 Mercier et al.  
 2005/0156399 A1 7/2005 Chu  
 2005/0206222 A1 9/2005 Swanson  
 2006/0240897 A1 10/2006 Carlini et al.  
 2007/0256659 A1 11/2007 Anderson et al.  
 2007/0293328 A1 12/2007 Mazziotti  
 2008/0238015 A1 10/2008 Duddling et al.  
 2008/0303227 A1 12/2008 Chi Chun Idiot  
 2009/0020973 A1 1/2009 Richardson  
 2009/0029821 A1 1/2009 Martin, III et al.  
 2009/0039700 A1 2/2009 Gradu et al.  
 2009/0173033 A1 7/2009 Baxter, Jr.  
 2011/0001350 A1 1/2011 Schmitz et al.  
 2011/0057408 A1 3/2011 Koschinat  
 2011/0079978 A1 4/2011 Schreiner et al.  
 2011/0315468 A1 12/2011 Sellars et al.  
 2013/0278047 A1 10/2013 Gottschalk  
 2014/0361507 A1 12/2014 Park et al.  
 2015/0191064 A1 7/2015 Gielisch et al.  
 2015/0266350 A1 9/2015 Morino  
 2016/0046151 A1 2/2016 Kelly et al.  
 2016/0167432 A1 6/2016 Szczepanski  
 2016/0169367 A1 6/2016 Orr et al.  
 2017/0028517 A1 2/2017 Ferrari  
 2017/0050483 A1 2/2017 Gordon et al.  
 2017/0370465 A1 12/2017 Fast et al.  
 2019/0030700 A1 1/2019 Huang  
 2019/0054818 A1 2/2019 Garcia et al.  
 2019/0210661 A1 7/2019 Cao et al.  
 2020/0164708 A1 5/2020 Lim et al.  
 2020/0198426 A1 6/2020 Rosene et al.  
 2020/0282792 A1 9/2020 Horst et al.  
 2023/0219010 A1 7/2023 Christensen et al.  
 2024/0115964 A1 4/2024 Christensen et al.  
 2024/0115965 A1 4/2024 Christensen et al.

FOREIGN PATENT DOCUMENTS

EM 007721154-0004 3/2020  
 EM 007721154-0006 3/2020  
 EM 009162605-0003 \* 9/2022  
 EM 015013355-0018 3/2023  
 EM 015013355-0041 3/2023  
 GB 6228967 10/2022  
 GB 6265731 3/2023  
 GB 6265751 3/2023  
 GB 6307596 9/2023  
 GB 6307601 9/2023  
 GB 6307609 9/2023  
 GB 6379200 7/2024  
 IN 274347 11/2018  
 TW 179940-0001 12/2016  
 WO D095551-013 4/2017  
 WO D095551-014 4/2017  
 WO D095551-016 4/2017

(56)

## References Cited

## FOREIGN PATENT DOCUMENTS

## OTHER PUBLICATIONS

Traxxas XRT Steering Blocks (2), as shown in [www.hobbytown.com](http://www.hobbytown.com), May 16, 2023, Part # TRA7836. (Year: 2023).

Arrma 4S BLX Steering Block (2), as shown in [www.hobbytown.com](http://www.hobbytown.com), Jul. 16, 2019, Part # ARA330523. (Year: 2019).

RPM Oversized Front Axle Carriers for Traxxas X-Maxx w/Bearings (2), as shown in [www.amainhobbies.com](http://www.amainhobbies.com), Jan. 18, 2021, Part # RPM80662. (Year: 2021).

Aluminum Alloy Front Hubs Steering Blocks for Traxxas X-MAXX 1/5 Scale RC Car Upgrade Parts (Red), ZXYRC Store, as shown in [www.amazon.com](http://www.amazon.com), Apr. 10, 2022. (Year: 2022).

Traxxas 7836-Gray Steering Blocks Alum Gray, as shown in [www.rc-powerhouse.com](http://www.rc-powerhouse.com), no date listed, date found Jun. 18, 2024. (Year: 2024).

Traxxas XRT Caster Blocks (2), as shown in [www.hobbytown.com](http://www.hobbytown.com), May 16, 2023, Part # TRA7832. (Year: 2023).

Hot Racing Aluminum Rear Hubs w/Over Size Bearings for Traxxas X-Maxx/XRT, as shown in [www.amainhobbies.com](http://www.amainhobbies.com), Apr. 9, 2024, Part # HRAXMX22M01. (Year: 2024).

Hot Racing Aluminum C-Hub Caster Blocks for Traxxas Maxx (Black) (2), as shown in [www.hobbytown.com](http://www.hobbytown.com), May 4, 2021, Part # HRAMXX1901. (Year: 2021).

Yokomo Graphite Front Steering Hub Carrier (4°) (-1mm Tread) (Hard Type), as shown in [www.hobbytown.com](http://www.hobbytown.com), Jan. 30, 2018, Part # YOKB8-413GH1. (Year: 2018).

Traxxas Rear Stub Axle Carriers (2), as shown in [www.hobbytown.com](http://www.hobbytown.com), May 16, 2023, Part # TRA7852. (Year: 2023).

Measjimi Brand, 2pcs Alloy Rear Stub Axle Hub Carrier 7752 for RC Hobby Car 1/5 1/6 X-MAXX (Red), as shown in [www.amazon.com](http://www.amazon.com), no date listed, Jun. 17, 2024, date found, ASIN B09MH1V2Q. (Year: 2024).

Weiqian brand, 1 Pair RC Rear Hub Carrier Portable Flexible CNC Aluminum Alloy Rear Stub Axle Carrier Replacement for TRAXXAS 1/5 Black, as shown in [www.walmart.com](http://www.walmart.com), no date listed, Jun. 17, 2024, date found. (Year: 2024).

RPM Oversized Rear Axle Carriers for Traxxas X-Maxx, as shown in [www.hobbytown.com](http://www.hobbytown.com), Sep. 27, 2016, Part # RPM81732. (Year: 2016).

Globact Brass LCG Heavy Weight Caster Blocks Portal Drive C-Hubs 84g Counterweight for 1/10 TRX4 TRX6 RC Crawler Car Upgrades Parts (2PCS), as shown in [www.amazon.com](http://www.amazon.com), Aug. 9, 2023, ASIN B0C9SWT276. (Year: 2023).

Traxxas TRX-4M Axle Cover (Black Chrome), Amain Hobbies Webpage [online], [Site Visit Nov. 20, 2023], URL: [https://www.amainhobbies.com/traxxas-trx4m-axle-cover-black-chrome-2-tra9738-blkcr/p1451999?gclid=EAlalQobChMInZan4p3TggMV-TWtBh3KAA8AEAkYAiABEgKpPD\\_BwE](https://www.amainhobbies.com/traxxas-trx4m-axle-cover-black-chrome-2-tra9738-blkcr/p1451999?gclid=EAlalQobChMInZan4p3TggMV-TWtBh3KAA8AEAkYAiABEgKpPD_BwE) (Year: 2023).

TRA9738-Red TRX-4M Axle Cover Front or Rear (Traxxas), Michael's RC Hobbies Webpage [online], [Site Visit Nov. 20, 2023], URL: <https://www.michaelsrchoobbies.com/tra9738-red-trx-4m-axle-cover-front-or-rear-red-2.html> (Year: 2023).

Chen, Xingyu; U.S. Pat. No. D1,002,447; Axle Housing; Oct. 24, 2023.

Axial; Axial SCX10 II; Aug. 2016.

Bomber; Bomber Fabrication Gusset Kit; Aug. 2016.

Wikipedia; Dana 44 Axle; Aug. 2016.

Reid Racing; Reid Racing Axle Products; Aug. 2016.

Currie; Currie RockJock 79 Axle; Aug. 2016.

Xray Model Racing Cars; "T1R Raycer-Instruction Manual;" Xray Model Racing Cars, Trencin, Slovak Republic, Europe.

Traxxas; "T-Maxx Assemblies-Front Assembly;" Traxxas LP, Plano, Texas.

Traxxas Rear Stub Axle Carrier (1.5 Degree), Earliest Available Date Oct. 29, 2007 [Online], [Site Visited Oct. 28, 2020] Available From Internet, URL: [https://www.amainhobbies.com/traxxas-rear-stub-axle-carrier-1.5-degree-tra4352/p17759?gclid=EAlalQobChMlyY7Ak\\_TX7AIVWQilCR1dzw2fEAQYBCABEGl99vD\\_BwE](https://www.amainhobbies.com/traxxas-rear-stub-axle-carrier-1.5-degree-tra4352/p17759?gclid=EAlalQobChMlyY7Ak_TX7AIVWQilCR1dzw2fEAQYBCABEGl99vD_BwE) (Year: 2007).

Axle Bearing Carrier Suzuki LTZ400 Kawasaki KFX400 Arctic DVX400, Earliest Available Date Jun. 13, 2018 [Online], [Site Visited Oct. 28, 2020] Available From Internet, URL: <https://www.amazon.com/Bearing-Carrier-SUZUKI-LTZ400-KAWASAKI/dp/B07F22WBPJ> (Year: 2018).

Traxxas C-Hubs, Published date unavailable [online], [retrieved on Feb. 5, 2022]. Retrieved from the Internet: <https://www.rcsuperstore.com/traxxas-caster-blocks-c-hubs-left-right-slash-4x4/> (Year: 2022).

Traxxas Rear Stub Axle Carrier, Published date unavailable [online], [retrieved on Feb. 5, 2022]. Retrieved from the Internet: <https://www.rcmart.com/traxxas-rear-left-and-right-stub-axle-carrier-for-jato-5555-00036488> (Year: 2022).

Carriers stub axle, First Date Available: Unknown, Imaged retrieved on: Jun. 3, 2023, <https://traxxas.com/products/parts/9552>.

Traxxas Sledge Left & Right Steering Blocks, as shown in [www.hobbytown.com](http://www.hobbytown.com), Jul. 27, 2022, Part # TRA9537. (Year: 2022).

Traxxas Sledge Caster Blocks L/R w/ Kingpin Bushings, as shown in [www.hobbytown.com](http://www.hobbytown.com), Jul. 5, 2022, Part # TRA9532. (Year: 2022).

Palumma RC Gearbox Cover, available in Amazon.com, date first available Jun. 9, 2023 [online], [site visited Apr. 16, 2024], Available from the internet URL: [https://www.amazon.com/Palumma-Gearbox-Aluminum-Transmission-Differential/dp/B0C7JW49ZB/ref=sr\\_1\\_6?crid=30VAI2L9URG6D&dib=eyJ21joiMSJ9.\\_JgbGBev5Lj](https://www.amazon.com/Palumma-Gearbox-Aluminum-Transmission-Differential/dp/B0C7JW49ZB/ref=sr_1_6?crid=30VAI2L9URG6D&dib=eyJ21joiMSJ9._JgbGBev5Lj) (Year: 2023).

Ewing, Adam Cole, et al.; U.S. Pat. No. D1,018,382; Model Vehicle Differential Cover; Mar. 19, 2024.

Collins, Trent, et al.; U.S. Pat. No. D1,019,480; Model Vehicle Differential Cover; Mar. 26, 2024.

ZXYRC Aluminum Alloy Front Hubs Steering Blocks for Traxxas X-MAXX 1/5 Scale RC Car Upgrade Parts (Black), Amazon Website, Earliest Comment Date: Oct. 23, 2023 [Website Visited Oct. 3, 2024], Available on the internet URL: <https://www.amazon.com/dp/B09HGMLF6K?th=1> (Year: 2023).

2pcs Alloy Steering Hub Carrier Blocks 7737 for RC Hobby Car 1/5 1/6 X-MAXX (Red), Amazon Website, Earliest Comment Date: Aug. 22, 2024 [Website Visited Oct. 3, 2024], Available on the Internet URL: <https://www.amazon.com/dp/B092MBN9J3/> (Year: 2024).

Aluminum Steering Blocks, Traxxas Website, No Available Date [Website Visited Oct. 3, 2024], Available on the Internet URL: <https://traxxas.com/products/parts/7836-GRAY> (Year: 2024).

Traxxas 3752 Stub Axle Carrier (pair), Amazon Website, Earliest Comment Date: Jul. 25, 2014 [Website Visited Oct. 1, 2024], Available on the Internet URL: <https://www.amazon.com/dp/B000SU2D0C/> (Year: 2014).

Aluminum Stub Axle Carriers, Traxxas Website, No Available Date [Website Visited Oct. 1, 2024], Available on the Internet URL: <https://traxxas.com/products/parts/7852-blue> (Year: 2024).

Rcarmumb RC Upgrades Part for 1/10 Maxx WideMaxx, Aluminum Caster Blocks, Amazon Website, Earliest Comment Date: Jan. 30, 2023 [Website Visited Oct. 1, 2024], Available on the Internet URL: <https://www.amazon.com/dp/B0BBN892JJ/> (Year: 2023).

Traxxas X-Maxx Caster Blocks, Amazon Website, Earliest Comment Date: Sep. 9, 2016 [Website Visited Oct. 2, 2024], Available on the Internet URL: <https://www.amazon.com/Traxxas-7732-X-Maxx-Caster-Blocks/dp/B01A6YD1XC> (Year: 2016).

2pcs Alloy Front C Hub Carrier Caster Blocks 7732 for RC Hobby Car 1/5 1/6 X-MAXX (Red), Amazon Website, Earliest Comment Date: Oct. 21, 2021 [Website Visited Oct. 2, 2024], Available on the Internet URL: <https://www.amazon.com/dp/B092M9XJYW/> (Year: 2021).

Aluminum Caster Blocks, Traxxas Website, No Available Date [Website Visited Oct. 2, 2024], Available on the Internet URL: <https://traxxas.com/products/parts/7832-RED> (Year: 2024).

Traxxas TRX-4M Axle Housing (Front & Rear), Part # TRA9741, as shown in [www.hobbytown.com](http://www.hobbytown.com), May 23, 2023. (Year: 2023).

Traxxas 9744 Axle Rear (Assembled) M2.5x0.45 NL(2) TRX-4M, Asin BOC4TM58TC, as show in [www.amazon.com](http://www.amazon.com), May 11, 2023 (Year: 2023).

Injora Rear Axle Housing CNC Aluminum for TRX4M 1/8 RC Crawler Upgrade, ASIN B0BV6LPYQK, as shown in [www.amazon.com](http://www.amazon.com), Jul. 24, 2023. (Year: 2023).

(56)

**References Cited**

## OTHER PUBLICATIONS

Rear Axle Housing CNC Aluminum Portal Axles High Trail Axles Perfect Substitution for TRX4M 1/8 RC Crawler Upgrade Accessories, ASIN B0CXXMN1PM, as shown in [www.amazon.com](http://www.amazon.com), no date listed, date found. Oct. 10, 2024. (Year: 2024).

Meus Racing TRX4M Portal Axles +8mm Ground Clearance for Traxxas TRX4M Defender/Bronco/K10/F150 1/8 RC Crawler (Version 2.0), ASIN B0D14HS837, as shown in [www.amazon.com](http://www.amazon.com), Jun. 10, 2024. (Year: 2024).

KYX Racing Metal Axle Housing Axle Shell with Cover for 1/10 RC Crawler SCX10 II 90046 90047, ASIN B07THY3Q59, as shown in [www.amazon.com](http://www.amazon.com), Apr. 11, 2020. (Year: 2020).

Element RC Enduro SE Axle Housings, Part # ASC42307, as shown in [www.amainhobbies.com](http://www.amainhobbies.com), Dec. 5, 2022. (Year: 2022).

Traxxas TRX-4M Front Steering Blocks & Caster Blocks, Part#: TRA9732, as shown in [www.amainhobbies.com](http://www.amainhobbies.com), May 22, 2023. (Year: 2023).

Traxxas TRX-4M Aluminum Steering Blocks (Grey) (2), Part#: TRA9737-BLUE, as shown in [www.amainhobbies.com](http://www.amainhobbies.com), May 17, 2023. (Year: 2023).

Arrma Infraction Mega/Vendetta 3S BLX Steering Block (2), Part#: ARA330686, as shown in [www.amainhobbies.com](http://www.amainhobbies.com), Dec. 27, 2021. (Year: 2021).

Yokomo YZ-4 Steering Block Set, Part#: YOKZ4-415SA, as shown in [www.amainhobbies.com](http://www.amainhobbies.com), Nov. 19, 2015. (Year: 2015).

Element RC Enduro IFS 2 Steering Blocks, Part#: ASC42342, as shown in [www.amainhobbies.com](http://www.amainhobbies.com), Jul. 17, 2023. (Year: 2023).

Steering blocks, left & right/ caster blocks (c-hubs), left or right (2), Traxxas website, posted date unknown [online], [retrieved Nov. 25, 2024]. Retrieved from internet, <https://traxxas.com/products/parts/9732> (Year: 2024).

OGRC 5g Brass Caster Blocks C-Hubs for Traxxas TRX4M 1/8 Bronco/Defender, Amazon website, posted date unknown [online], [retrieved Nov. 25, 2024]. Retrieved from internet, <https://www.amazon.com/Caster-Blocks-Traxxas-Defender-Upgrade/dp/B0BWQ8WRCJ/> (Year: 2024).

Injora Black Brass Caster Blocks C-Hubs 4g Front Counterweight for 1/8 RC Crawler, posted date unknown [online], [retrieved Nov. 25, 2024]. Retrieved from internet, <https://www.amazon.com/dp/B0BQDD4HGZ> (Year: 2024).

Carriers, stub axle, 6061-T6 aluminum, posted date unknown [online], [retrieved Jul. 5, 2024]. Retrieved from internet, <https://traxxas.com/products/parts/9552T> (Year: 2024).

RiToEasysports 2Pcs RC Rear Axle Carrier, posted date unknown [online], [retrieved xx/xx/xx]. Retrieved from internet, [https://www.amazon.com/RiToEasysports-Carrier-Aluminum-Alloy-Compatible/dp/B09JGDWWWSK/ref=sr\\_1\\_28](https://www.amazon.com/RiToEasysports-Carrier-Aluminum-Alloy-Compatible/dp/B09JGDWWWSK/ref=sr_1_28) (Year: 2024).

\* cited by examiner

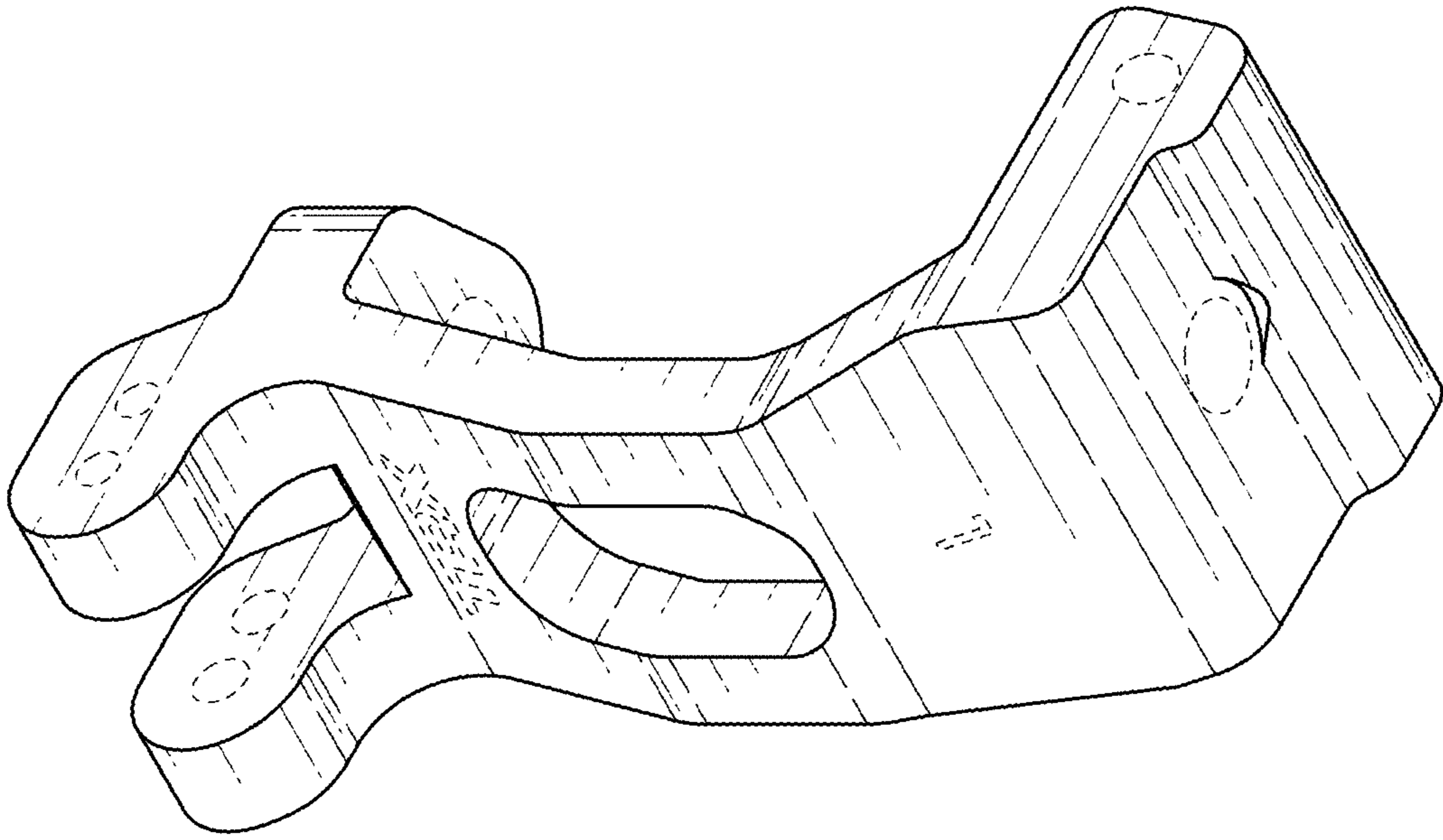


FIG. 2

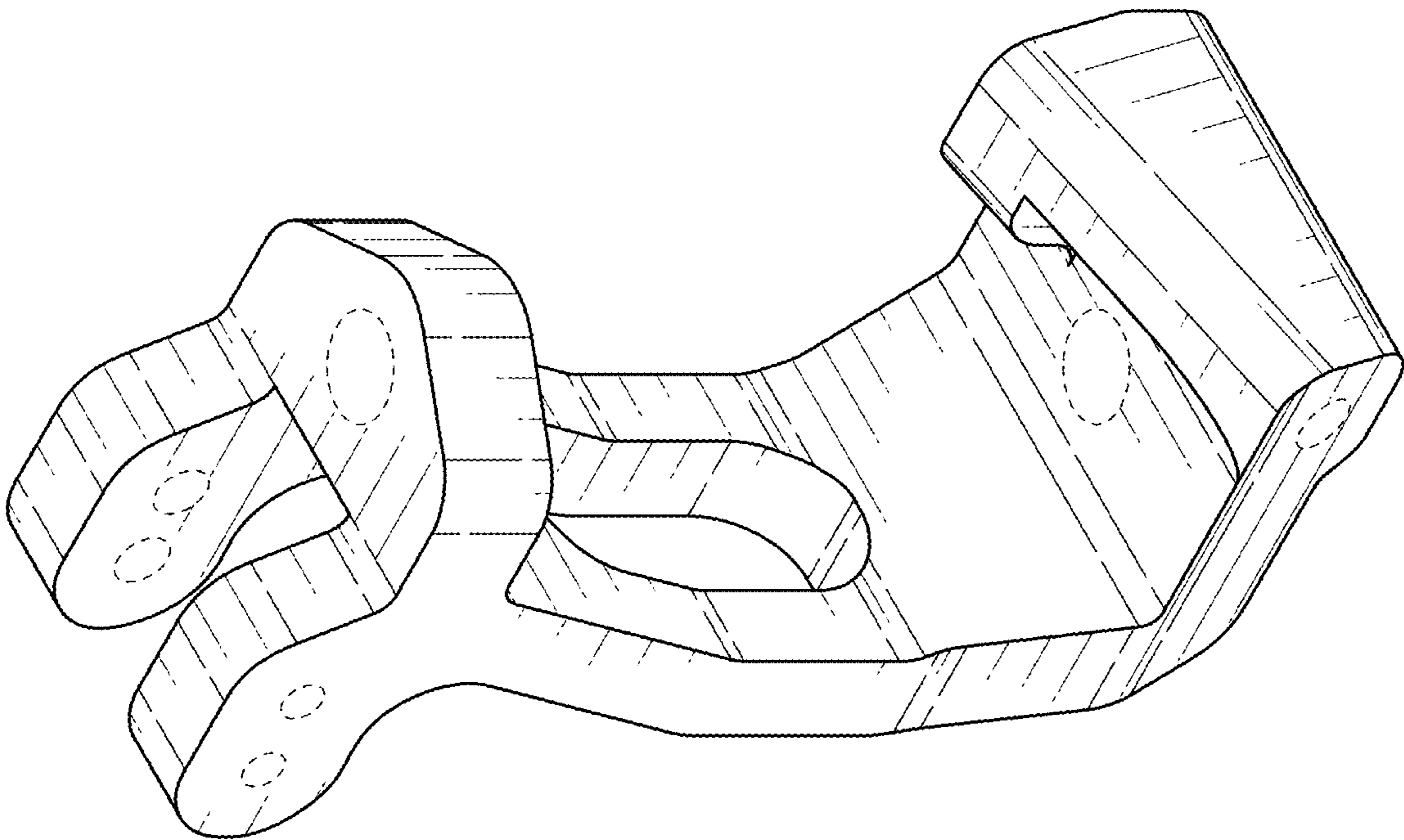


FIG. 1

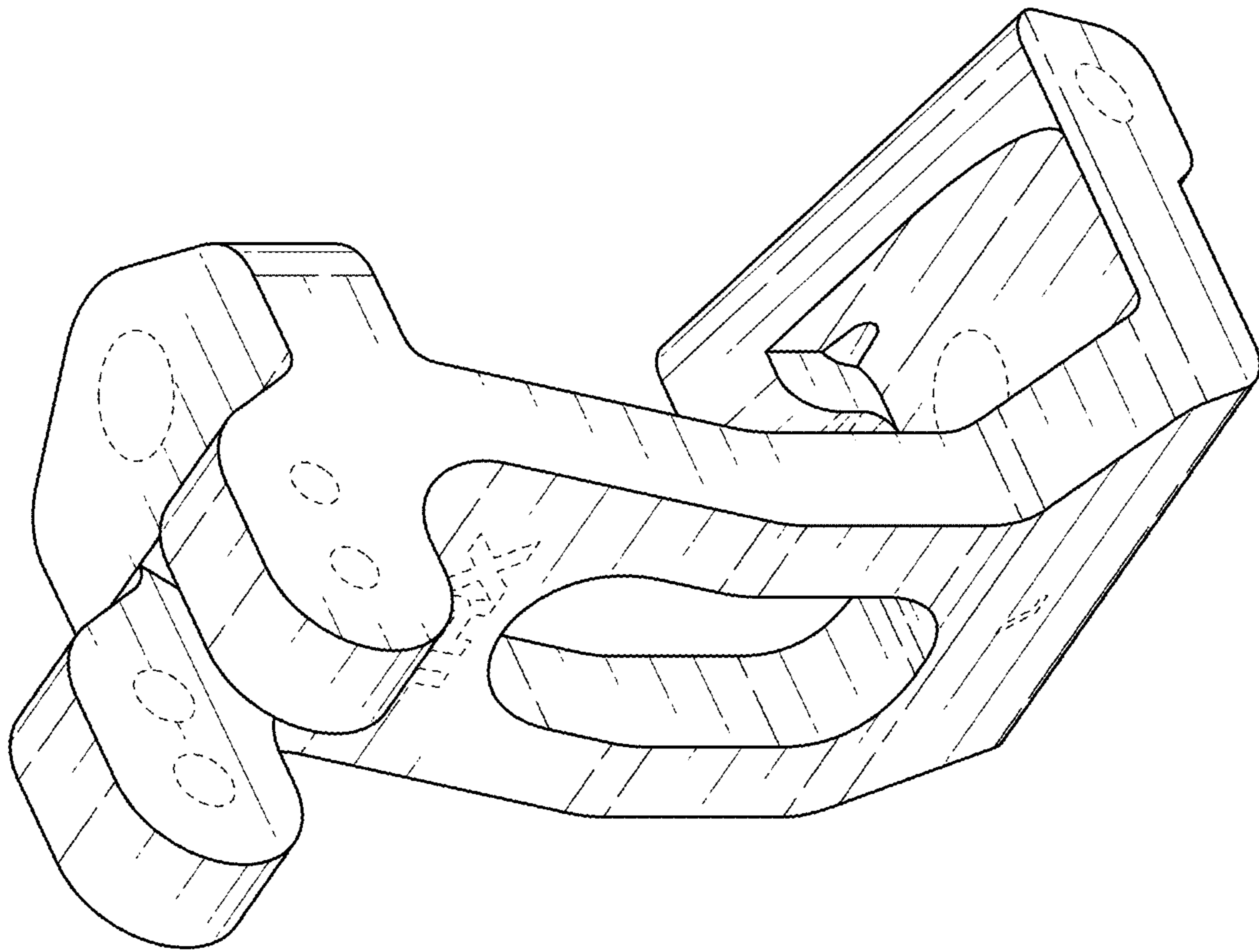


FIG. 4

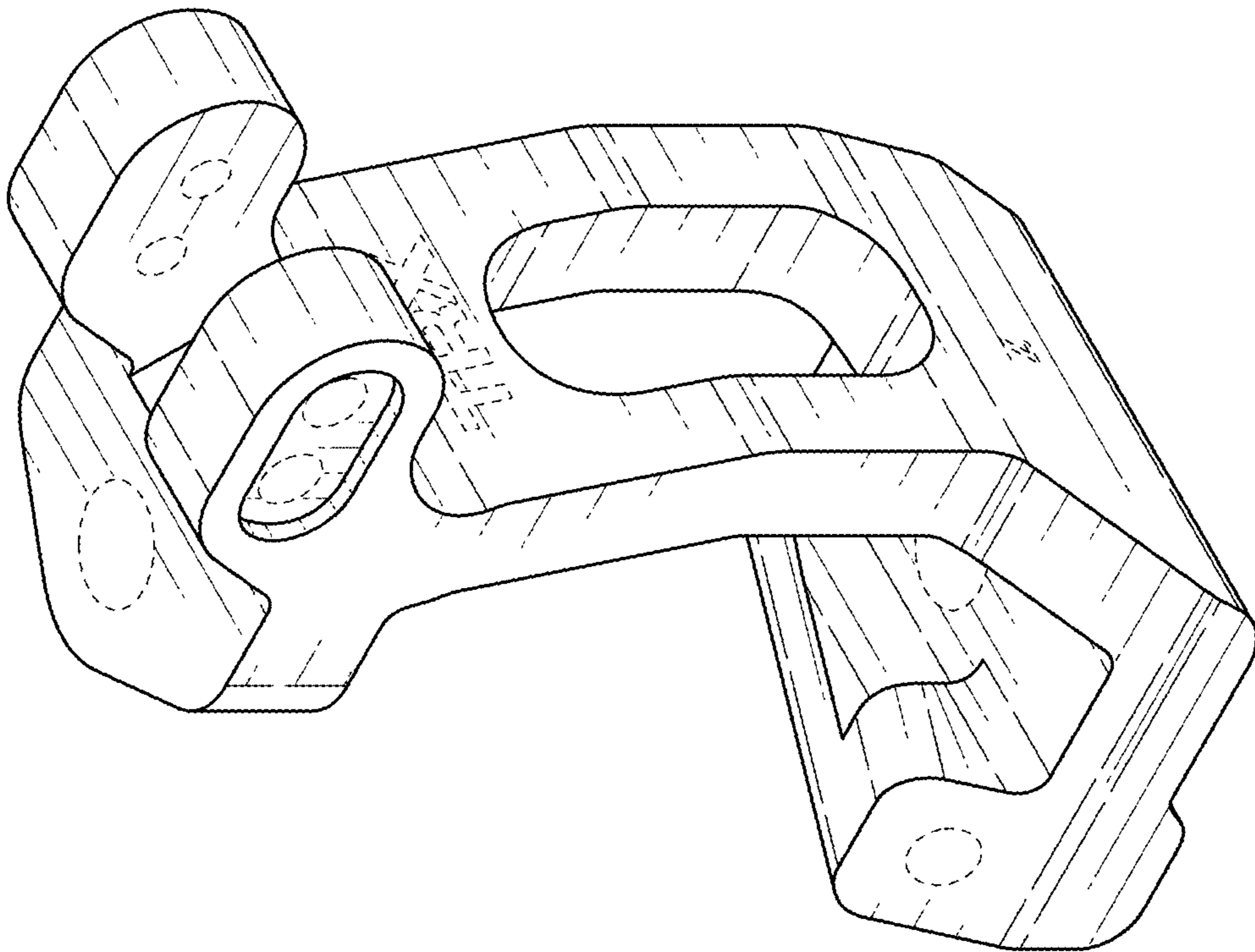


FIG. 3

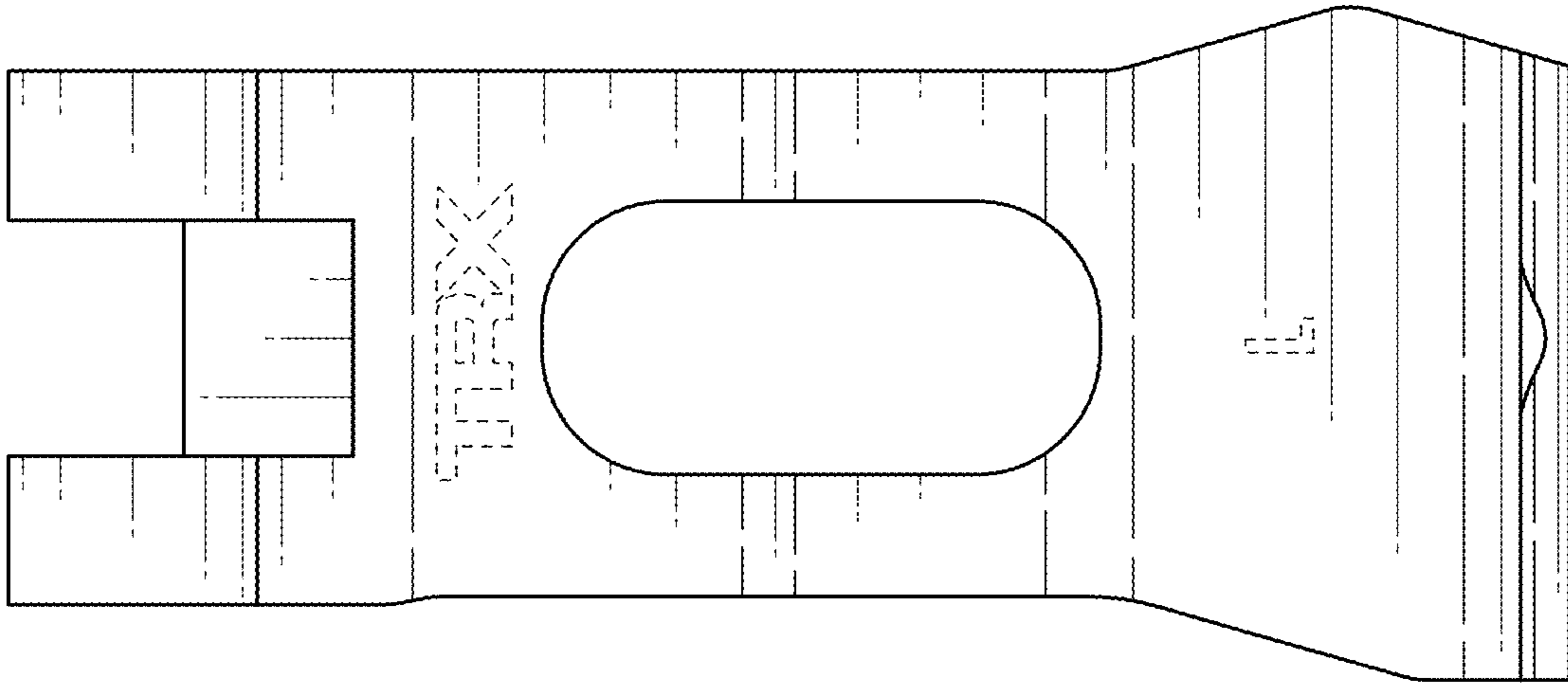


FIG. 5

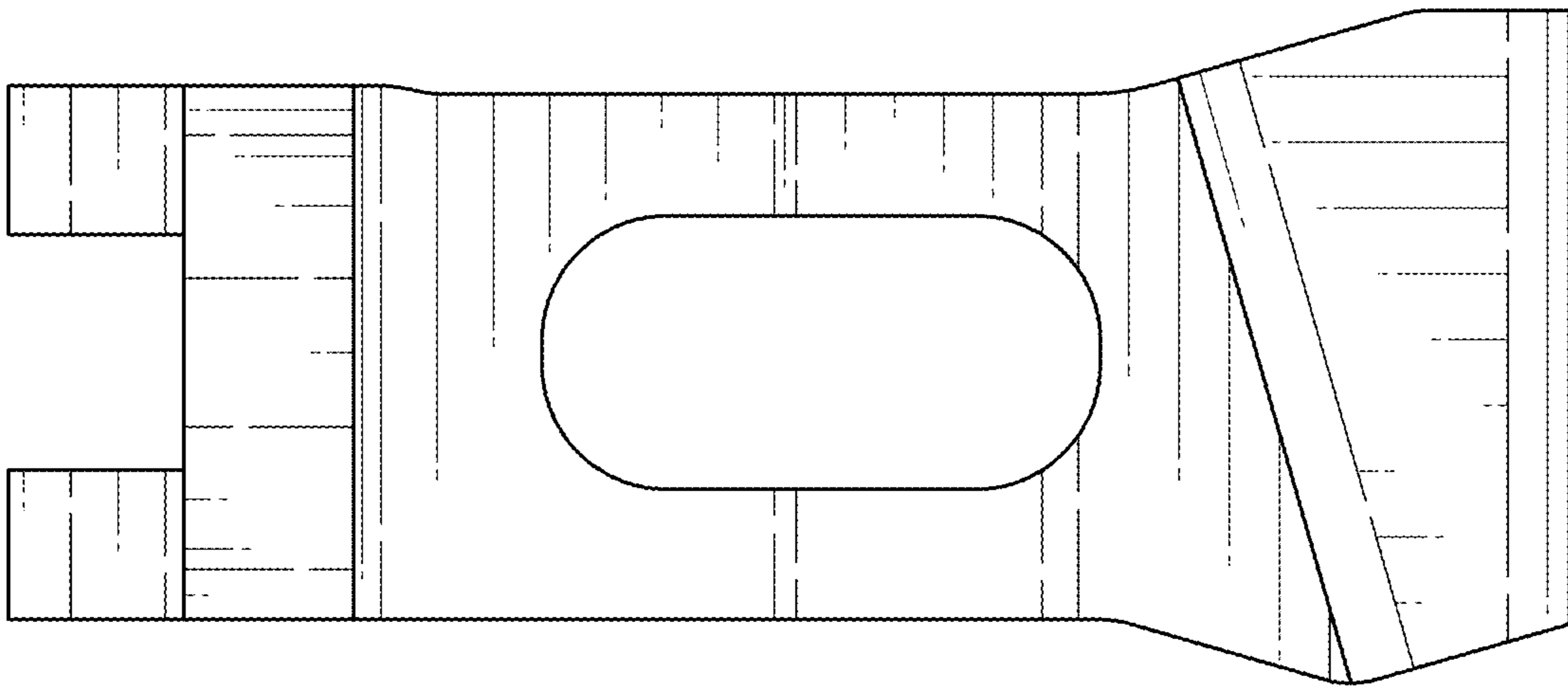


FIG. 6

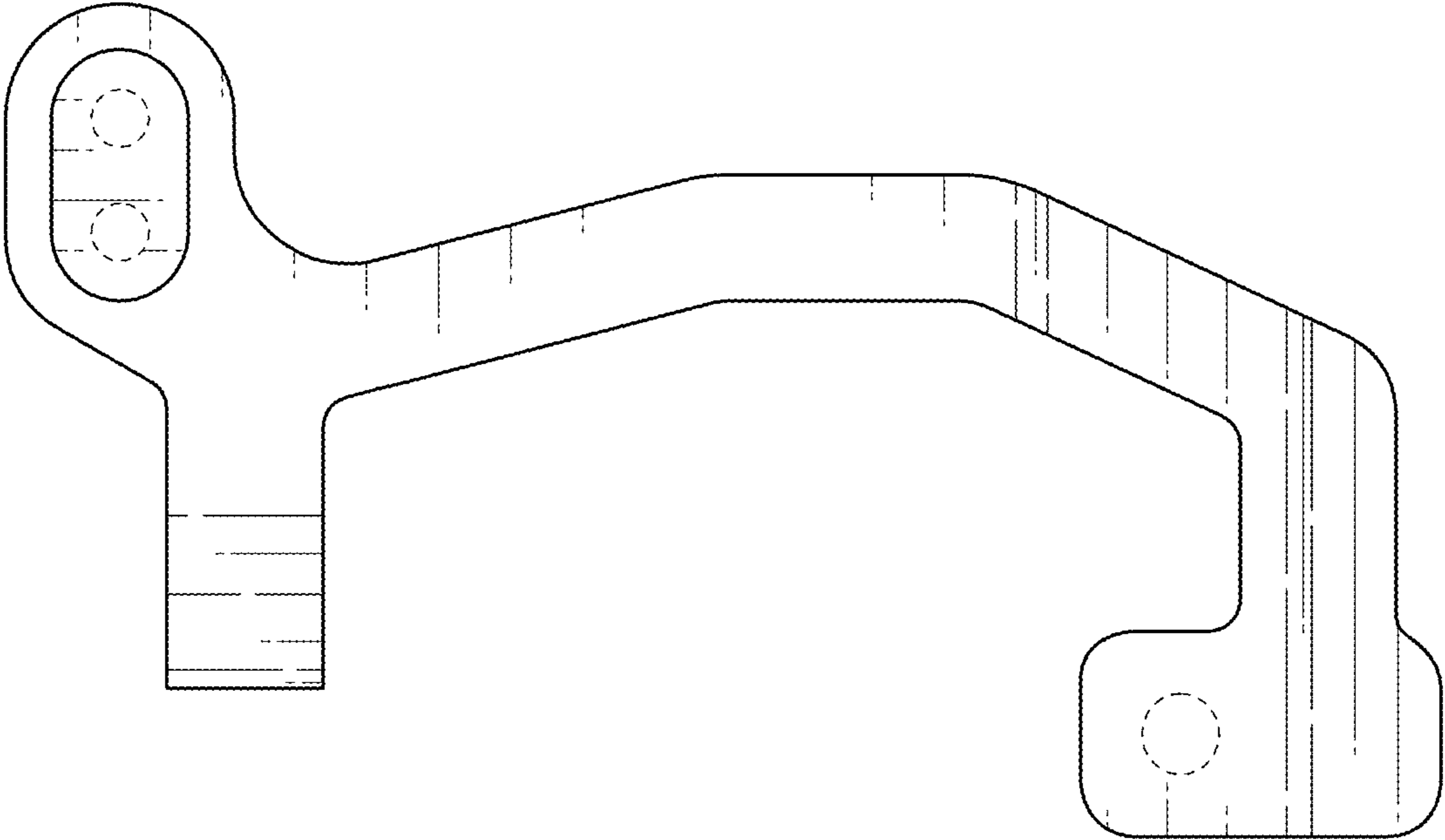


FIG. 8

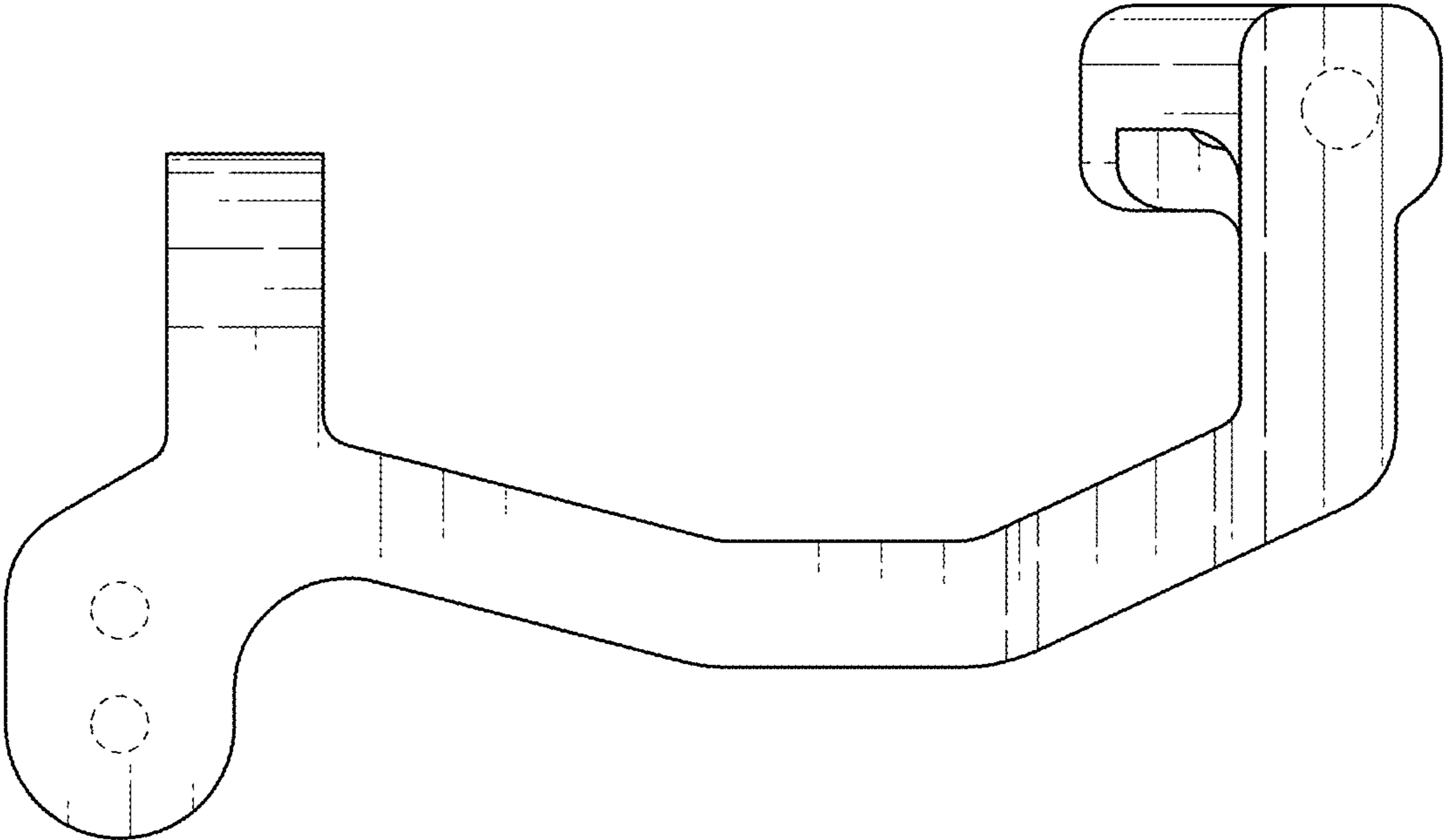


FIG. 7

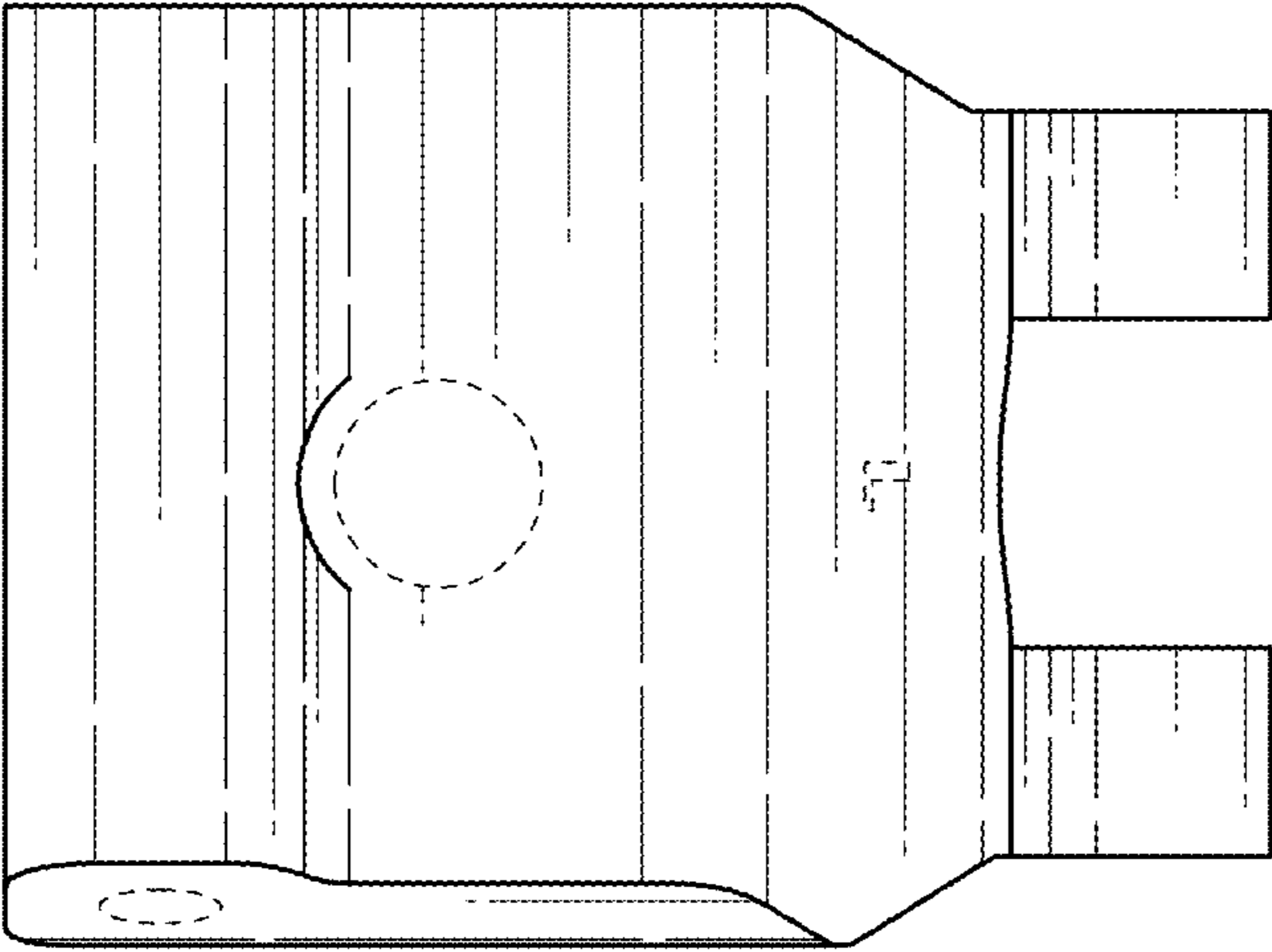


FIG. 10

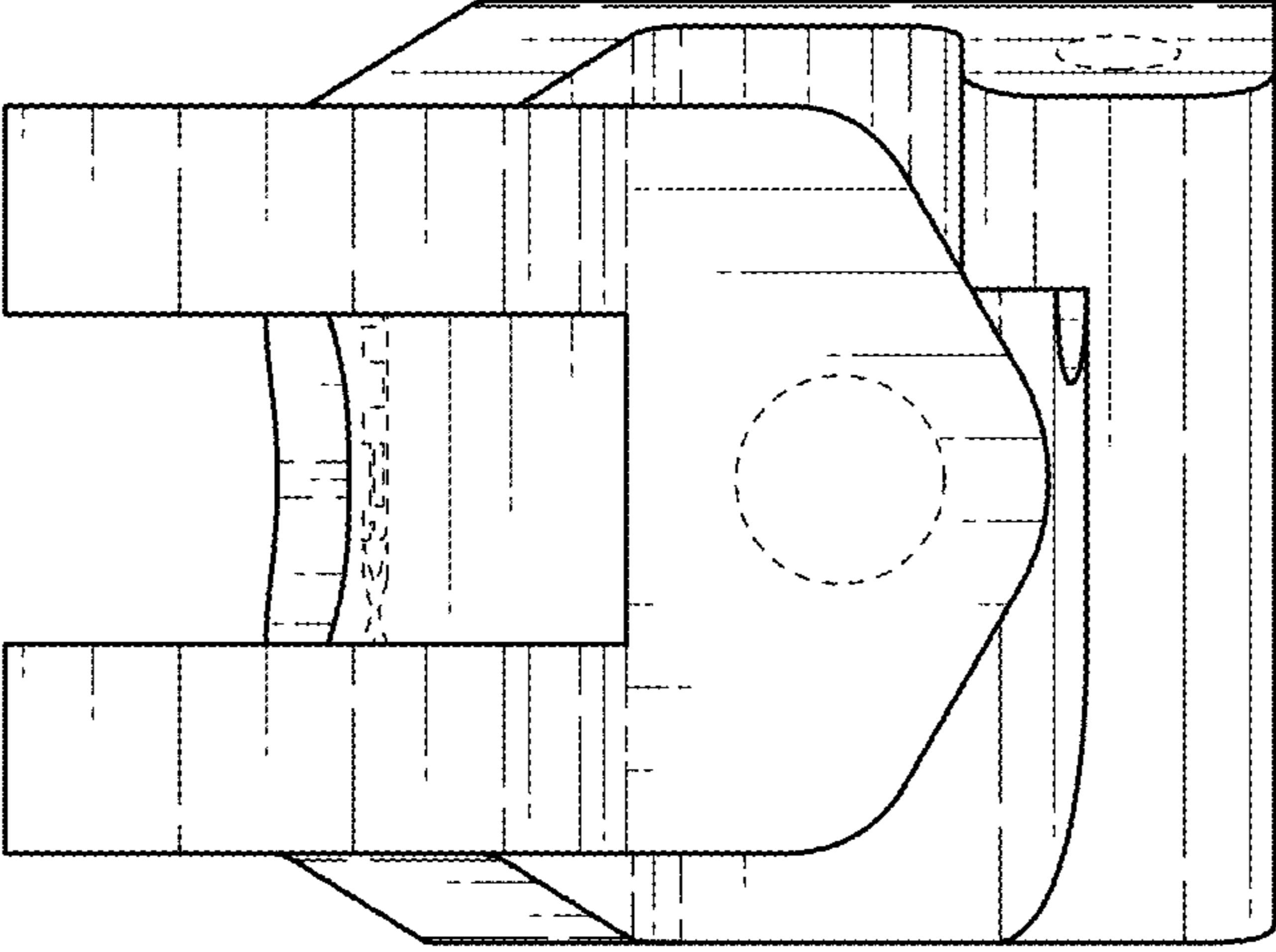


FIG. 9