



US0D1074849S

(12) **United States Design Patent** (10) **Patent No.:** **US D1,074,849 S**
Hix et al. (45) **Date of Patent:** **** May 13, 2025**

(54) **MODEL VEHICLE BELLCRANK ASSEMBLY**

FOREIGN PATENT DOCUMENTS

(71) Applicant: **TRAXXAS, L.P.**, McKinney, TX (US)
(72) Inventors: **Caleb Hix**, McKinney, TX (US); **Adam Cole Ewing**, McKinney, TX (US); **Ross Martin**, Roanoke, TX (US)

CN 303258205 6/2015
CN 304874242 11/2018

(Continued)

(73) Assignee: **TRAXXAS, L.P.**, McKinney, TX (US)

(**) Term: **15 Years**

(21) Appl. No.: **29/925,263**

(22) Filed: **Jan. 23, 2024**

(51) **LOC (15) Cl.** **21-01**

(52) **U.S. Cl.**
USPC **D21/561**; D12/159

(58) **Field of Classification Search**
USPC D21/495, 533, 548, 552, 559, 560, 561, D21/562; D12/159, 160
CPC A63H 17/00; A63H 17/002; A63H 17/04; A63H 17/05; A63H 17/12; A63H 17/24; A63H 17/26; A63H 17/262; A63H 17/36
See application file for complete search history.

Rcarmumb RC Steering Bellcranks Upgrades Part, Earliest Comment Date: Jan. 21, 2023 [Websited visited Sep. 25, 2024] Available on the Internet: URL:https www.amazon.com/B0BLV89P2Z/ (Year: 2023).

(Continued)

Primary Examiner — Cynthia M. Chin

(74) *Attorney, Agent, or Firm* — Daryl R. Wright; Greg Carr

OTHER PUBLICATIONS

(57) **CLAIM**

The ornamental design for a model vehicle bellcrank assembly as shown and described.

DESCRIPTION

FIG. 1 is an upper, left, front perspective view of a model vehicle bellcrank assembly showing our new design; FIG. 2 is an upper, right, rear perspective view thereof; FIG. 3 is a lower, right, front perspective view thereof; FIG. 4 is a lower, left, rear perspective view thereof; FIG. 5 is a front elevation view thereof; FIG. 6 is a rear elevation view thereof; FIG. 7 is an upper plan view thereof; FIG. 8 is a lower plan view thereof; FIG. 9 is a right-side elevation view thereof; and, FIG. 10 is a left-side elevation view of the model vehicle bellcrank assembly. In the drawings, the broken lines illustrate portions of the model vehicle bellcrank assembly that form no part of the claimed design.

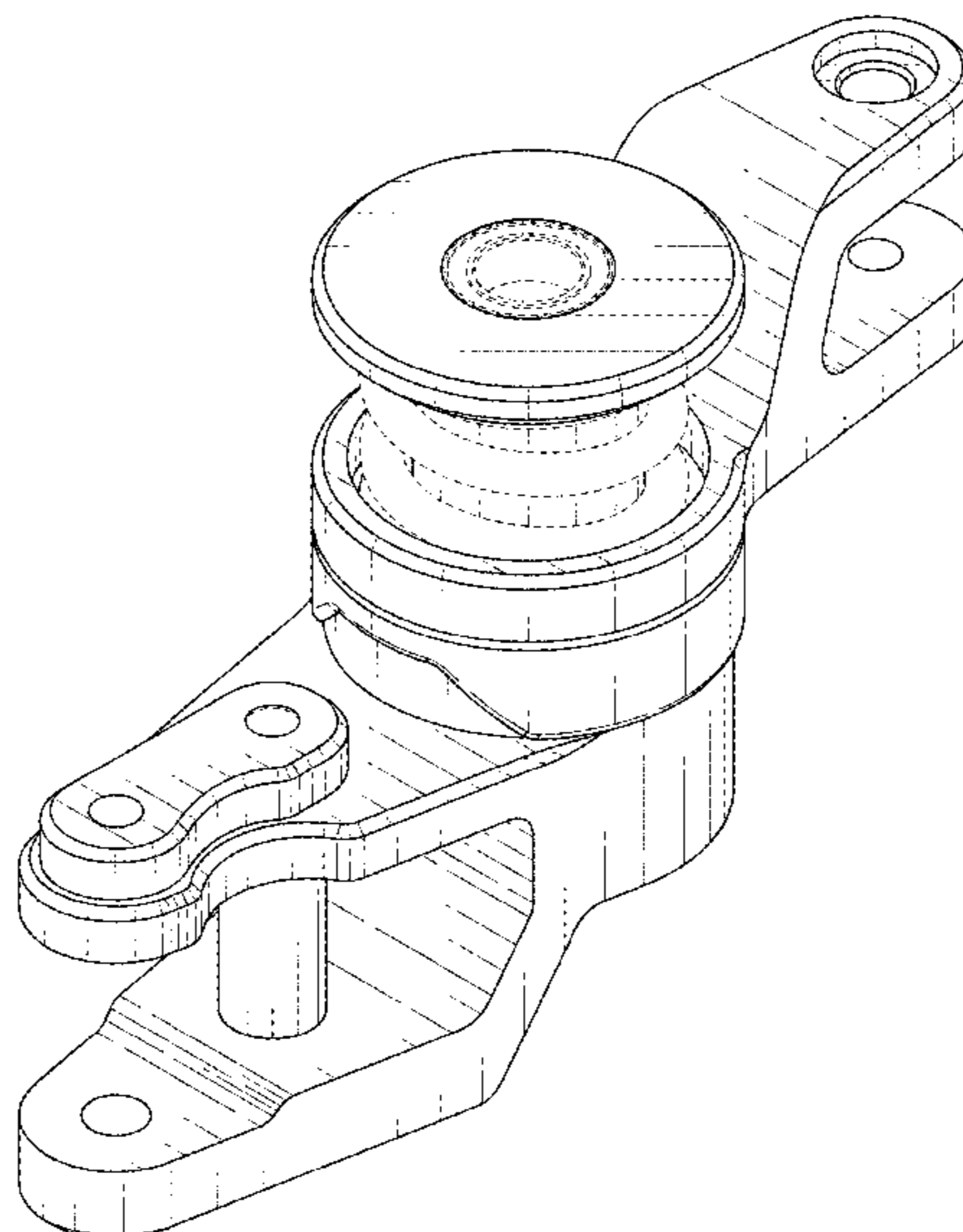
(56) **References Cited**

U.S. PATENT DOCUMENTS

D277,746 S	2/1985	Hunsaker	
4,509,932 A	4/1985	Weible	
D304,472 S	11/1989	Poulsen	
D304,473 S	11/1989	Poulsen	
5,954,586 A	9/1999	Kirson	
6,189,436 B1 *	2/2001	Brooks F15B 15/066 92/138
6,357,768 B1 *	3/2002	Chan B60G 9/006 280/124.106
6,394,878 B1 *	5/2002	Wang A63H 17/262 446/454
6,572,199 B1	6/2003	Creek et al.	
7,143,861 B2 *	12/2006	Chu B60G 3/20 280/124.109

(Continued)

1 Claim, 7 Drawing Sheets



(56)

References Cited

U.S. PATENT DOCUMENTS

7,144,326	B2	12/2006	Thompson	
D594,718	S	6/2009	Duffy	
D686,677	S	7/2013	Simonds	
8,893,364	B2	11/2014	Rode	
9,885,314	B2 *	2/2018	Lumbab	B05B 1/04
D822,125	S	7/2018	Ewing et al.	
D826,340	S	8/2018	Ewing et al.	
D867,476	S *	11/2019	Wood	D12/159
D880,279	S	4/2020	Marchesan	
D900,250	S	10/2020	Ewing et al.	
D923,115	S	6/2021	Ewing et al.	
D923,116	S	6/2021	Ewing et al.	
D947,290	S	3/2022	Christensen et al.	
D947,959	S	4/2022	Christensen	
D951,150	S	5/2022	Ewing et al.	
D996,528	S	8/2023	Christensen	
D1,006,900	S	12/2023	Christensen et al.	
D1,014,658	S	2/2024	Christensen et al.	
D1,020,915	S *	4/2024	Christensen	D21/562
D1,040,937	S *	9/2024	Ewing	D21/562
D1,053,277	S *	12/2024	Poteet	D21/562
D1,058,702	S *	1/2025	Poteet	D21/562
D1,059,500	S *	1/2025	Collins	D21/562
2007/0256659	A1 *	11/2007	Anderson	B60G 15/067 123/198 R
2008/0303227	A1 *	12/2008	Chi Chun Idiot ...	A63H 17/262 280/1
2017/0028517	A1	2/2017	Ferrari	
2019/0030700	A1	1/2019	Huang	
2021/0283517	A1 *	9/2021	Rydwel	A63H 17/262
2025/0065241	A1 *	2/2025	Collins	A63H 31/00

FOREIGN PATENT DOCUMENTS

EM	015032997-0017	9/2023
EM	015032997-0020	9/2023
GB	6007829	2/2017
GB	6307602	9/2023
GB	6307603	9/2023
GB	6307606	9/2023
GB	6307608	9/2023
IN	336346-001	2/2023
JP	D1124643	10/2001
KR	300821794.0000	10/2015

OTHER PUBLICATIONS

Aluminum Bellcrank Assembly, No Available Date [Website Visited Sep. 25, 2024] Available on the Internet URL: <https://traxxas.com/products/parts/7746-ORGN> (Year: 2024).

Pomya RC Steering Bell Crank, No Available Date [Website Visited Sep. 25, 2024] Available on the Internet URL: <https://www.amazon.com/dp/B0CVXWH3GJ?th=1> (Year: 2024).

Traxxas 6832X Blue-Anodized Aluminum Caster Blocks (L&R), Amazon Website, Earliest Available Date: Feb. 5, 2010 [Website Visited Sep. 27, 2024] Available on the Internet, URL: <https://www.amazon.com/dp/B002XZB1Q2> (Year: 2010).

Atomik Alloy Steering Bellcrank Assembly | Replacement for Traxxas X-Maxx Alloy Steering Bellcrank Assembly Part 7746 | Red, Amazon Website, Earliest Comment Date: Jun. 14, 2019 [Website Visited Sep. 27, 2024] Available on the Internet, URL: <https://www.amazon.com/dp/B078B7KYH5> (Year: 2019).

Aluminum Bellcrank Assembly, Traxxas Website, No Available Date [Website Visited Sep. 27, 2024] Available on the Internet, URL: <https://traxxas.com/products/parts/7843-GRAY> (Year: 2024).

Hot Racing Aluminum Servo Saver Bellcrank, Walmart Website, Earliest Comment Date: Aug. 16, 2022 [Website Visited Oct. 16, 2024] Available on the Internet, URL: <https://www.walmart.com/ip/514286383> (Year: 2022).

Aluminum Bellcrank Assembly, Traxxas Website, No Available Date [Website Visited Oct. 16, 2024] Available on the Internet, URL: <https://traxxas.com/products/parts/7746-RED> (Year: 2024).

RCLIONS Aluminum RC Servo Saver Bellcrank Steering Assembly for 1/8th Scale Trx X-Maxx RC Truck Car, Amazon Website, No Available Date [Website Visited Oct. 16, 2024] Available on the Internet, URL: <https://www.amazon.com/dp/B0D7Q1K6F9> (Year: 2024).

RC Upgrades Part Steering Bellcranks for 1/10 WideMaxx Maxx, Amazon Website, Earliest Comment Date: Aug. 19, 2023 [Website Visited Oct. 18, 24] Available on the Internet, URL: <https://www.amazon.com/dp/B0BBN82FR3/> (Year: 2023).

Aluminum Bellcrank Assembly, Traxxas Website, No Available Date [Website Visited Oct. 18, 2024] Available on the Internet, URL: <https://traxxas.com/products/parts/7843-RED> (Year: 2024).

RCMYou Alloy Steering Bellcranks, Amazon Website, Earliest Comment Date: Jan. 18, 2024 [Website Visited Oct. 18, 2024] Available on the Internet, URL: <https://www.amazon.com/dp/B0CPPS8MDX/> (Year: 2024).

Aluminum Bellcrank Assembly, Traxxas Website, No Available Date [Website Visited Oct. 18, 2024] Available on the Internet, URL: <https://traxxas.com/products/parts/7746-blue> (Year: 2024).

Traxxas 7843 Steering Bellcranks, Amazon Website, No Available Date [Website Visited Oct. 18, 2024] Available on the Internet, URL: <https://www.amazon.com/dp/B0C6C2NJPT> (Year: 2024).

* cited by examiner

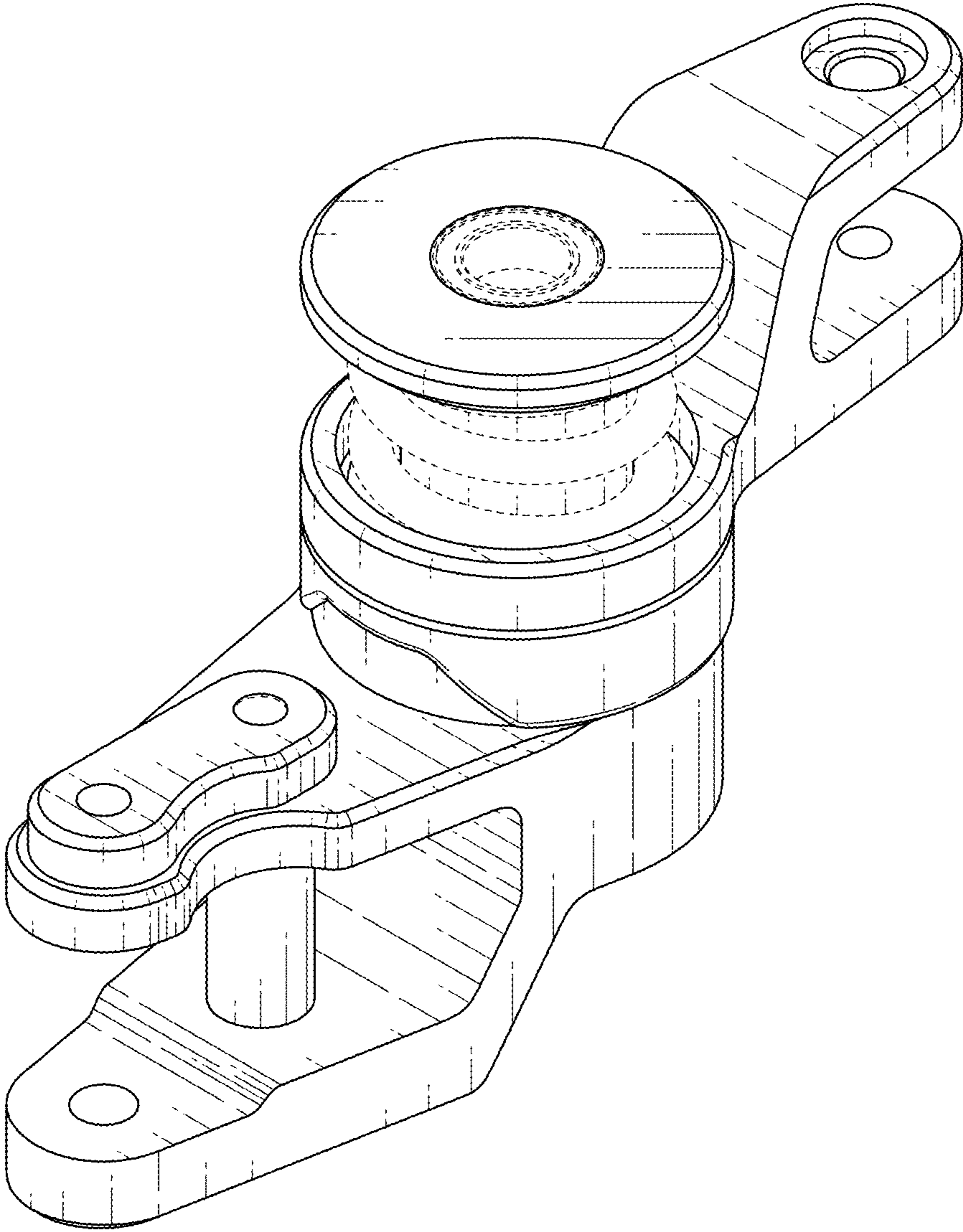


FIG. 1

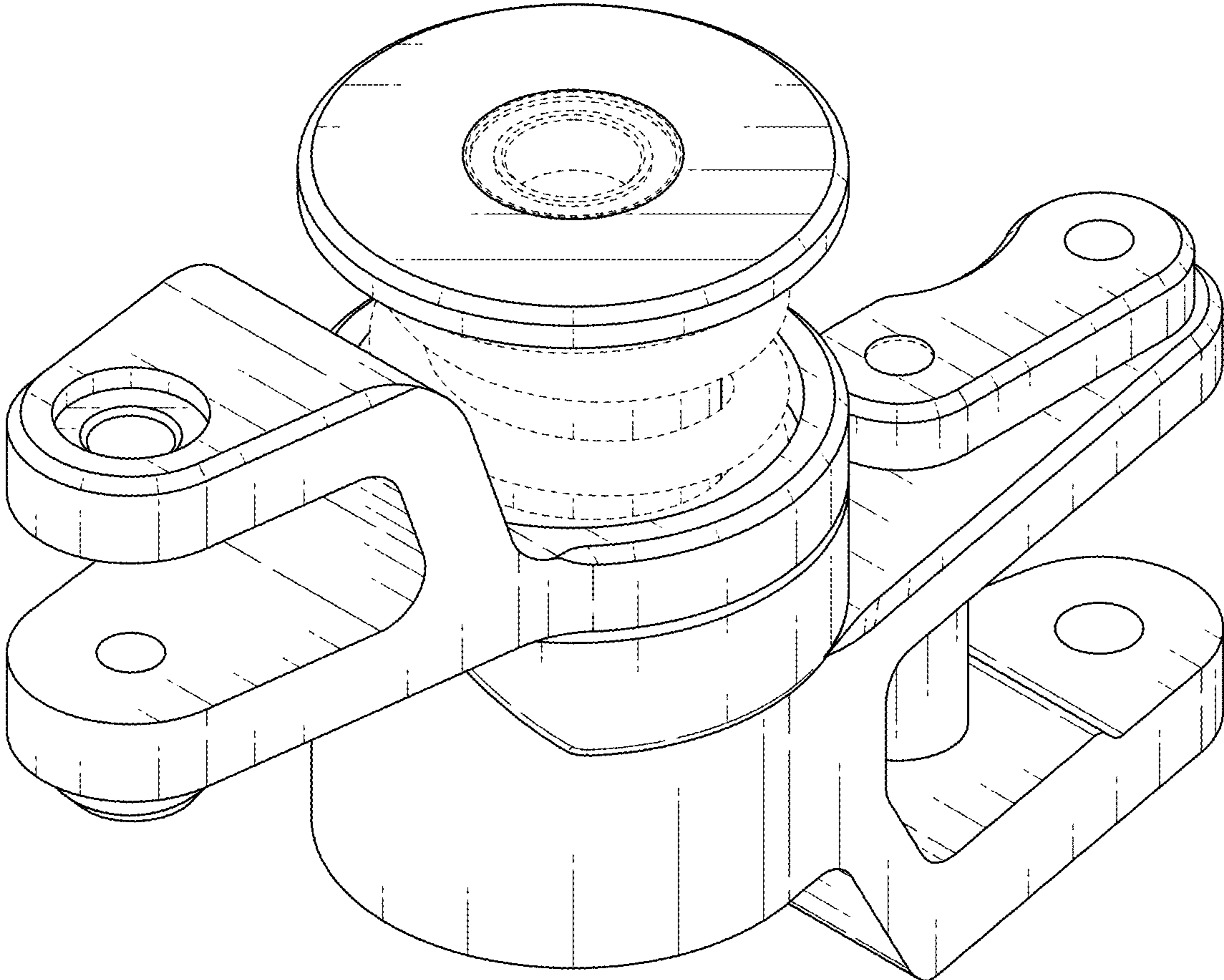


FIG. 2

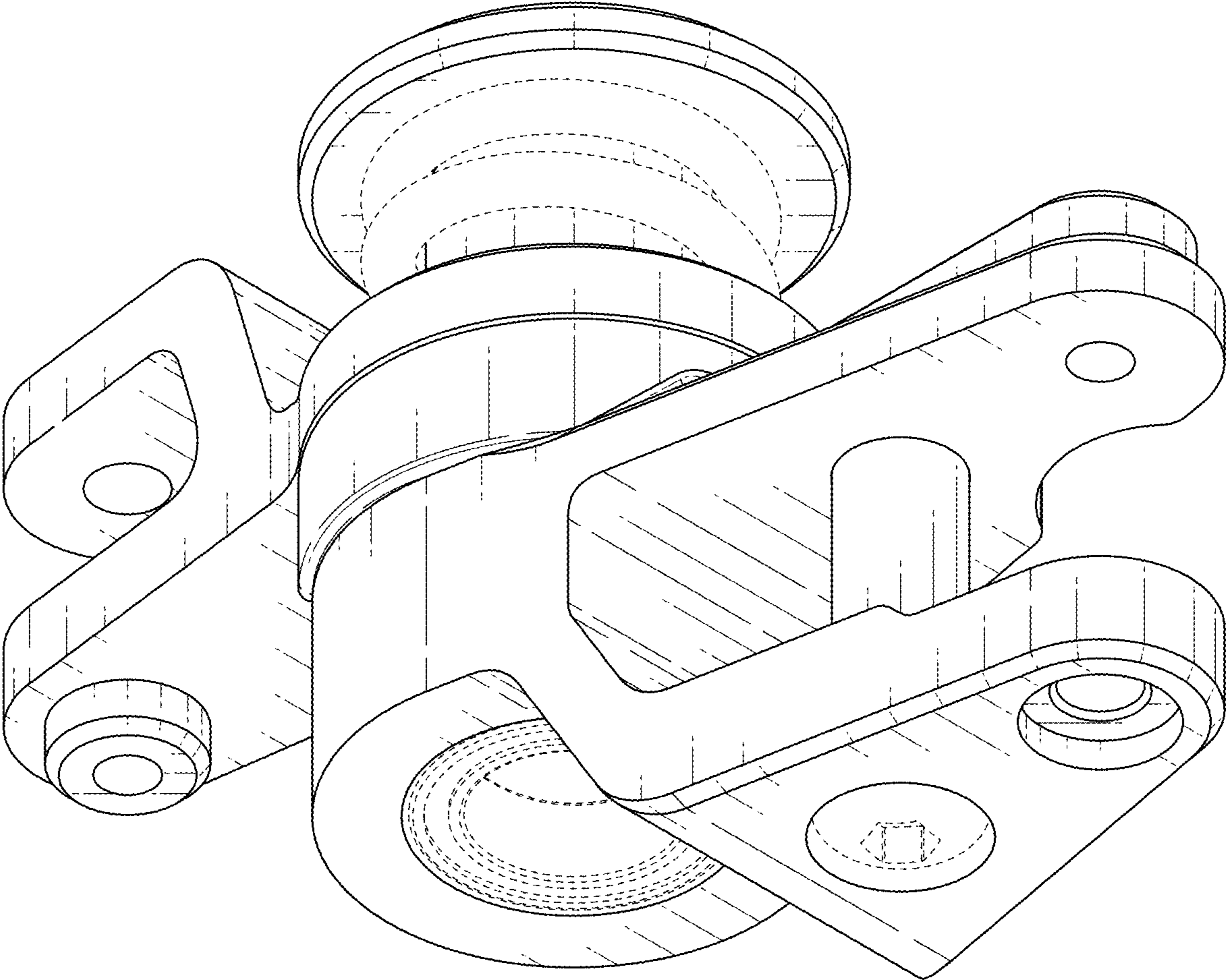


FIG. 3

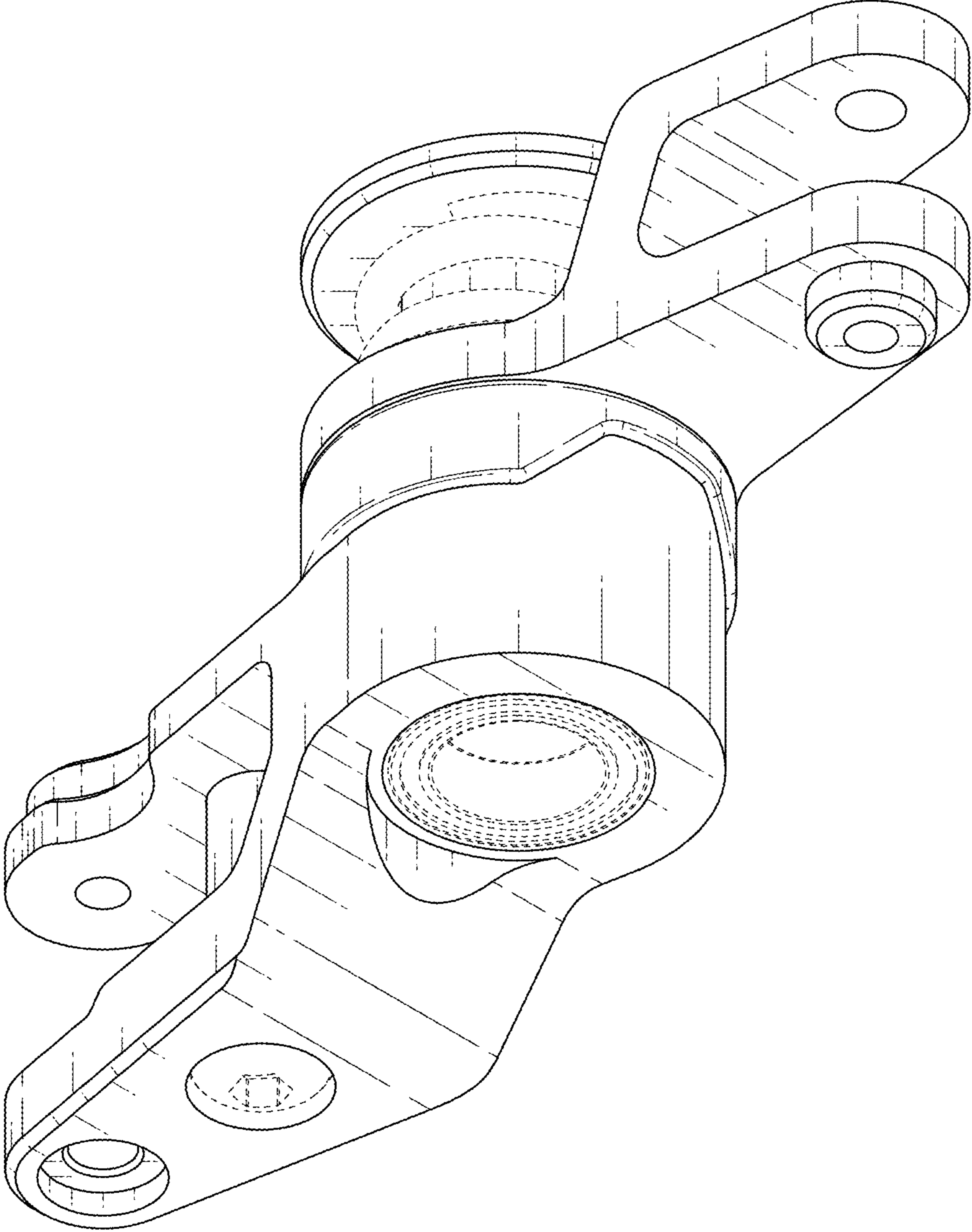


FIG. 4

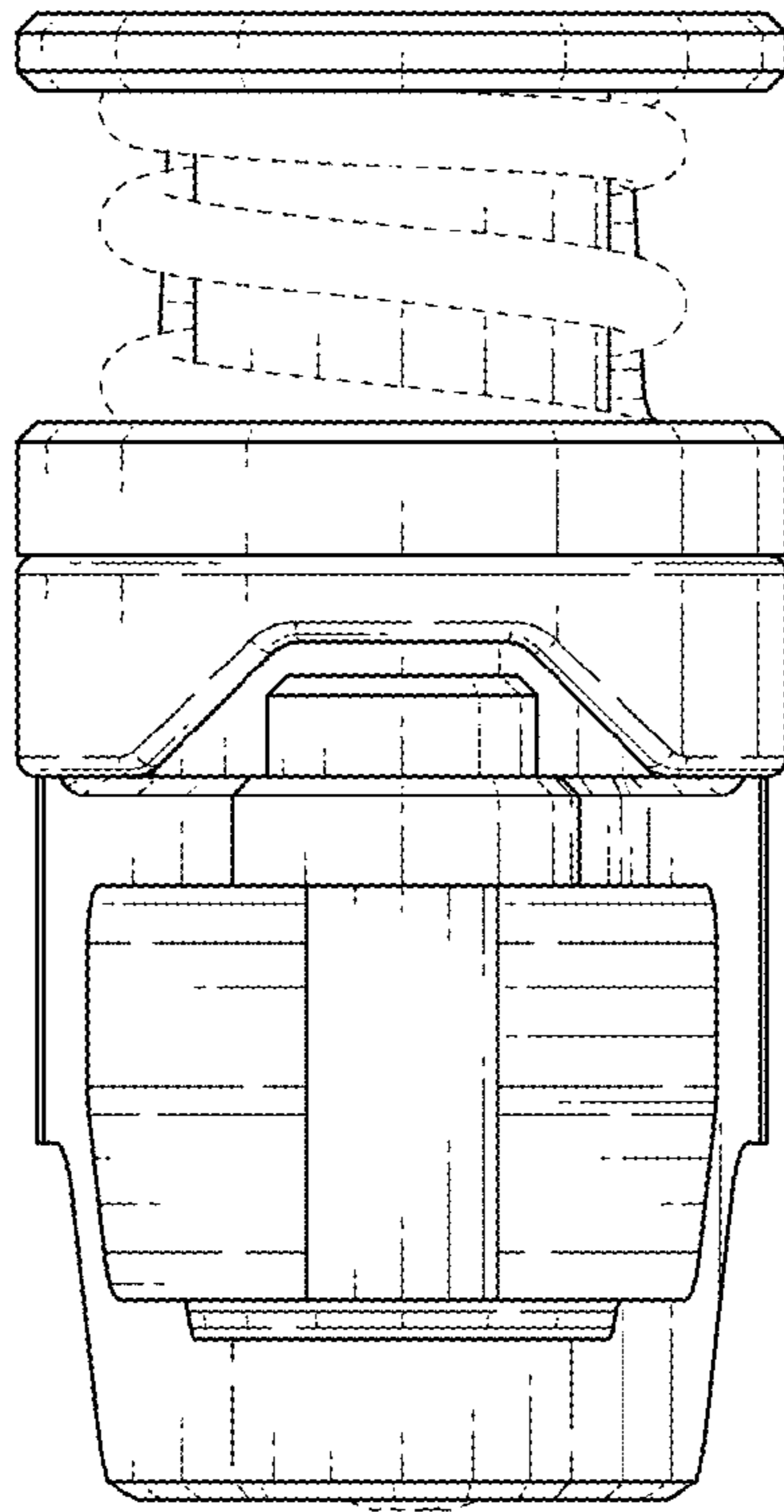


FIG. 5

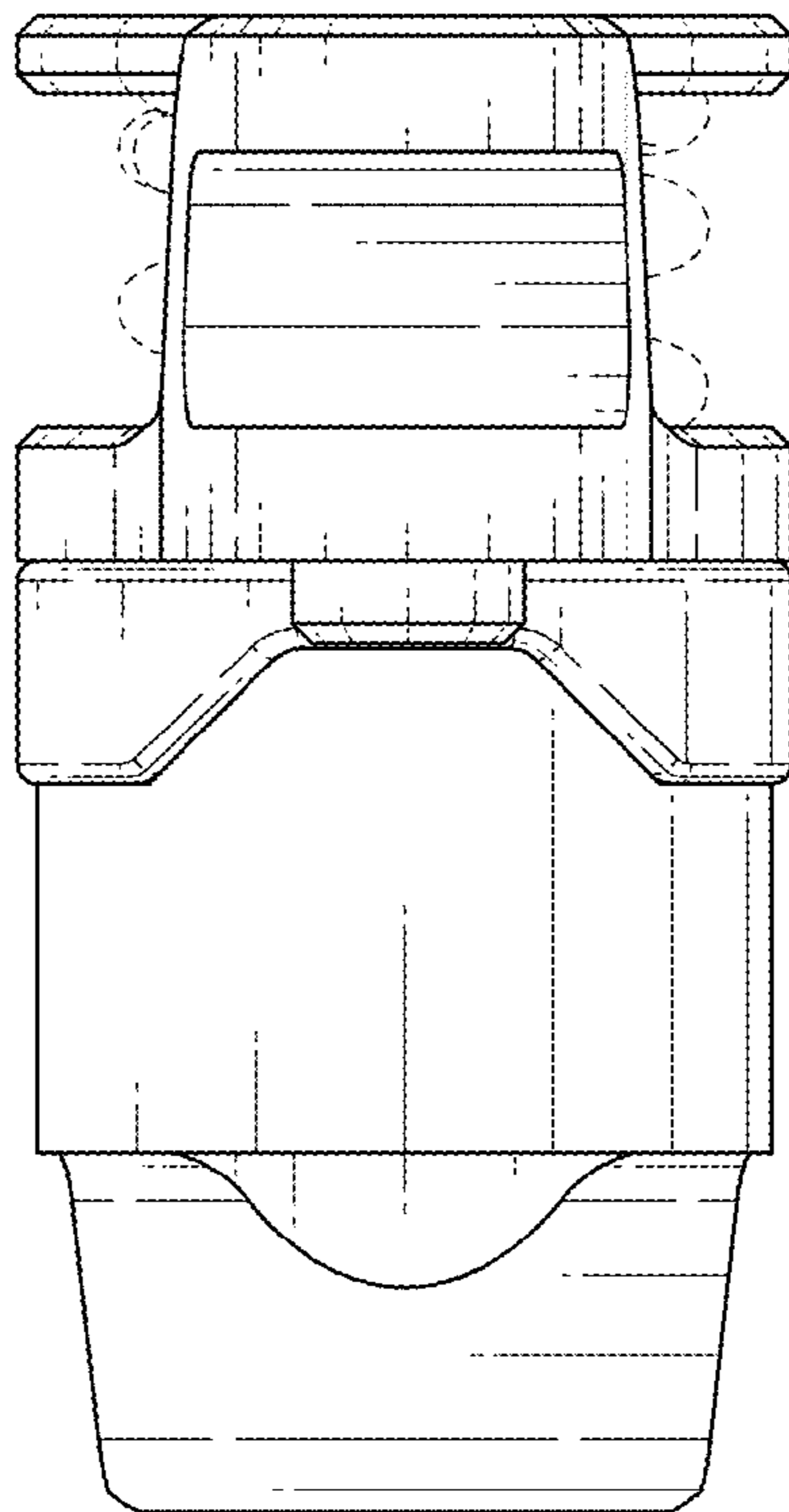


FIG. 6

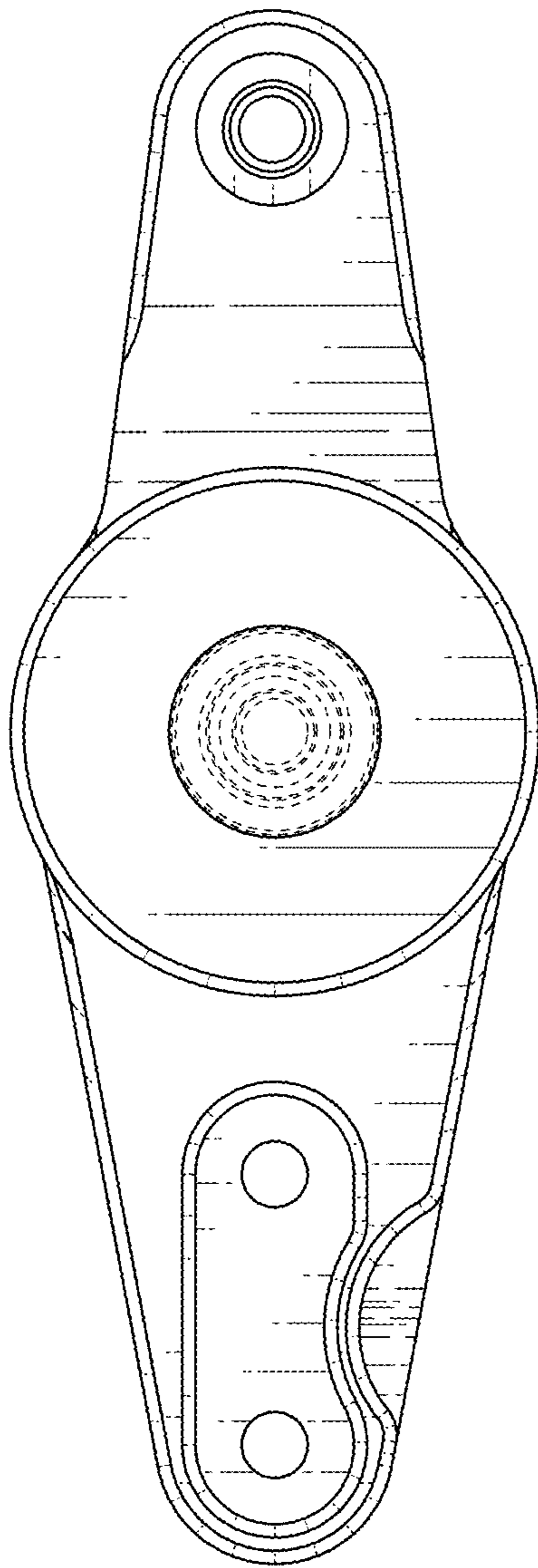


FIG. 7

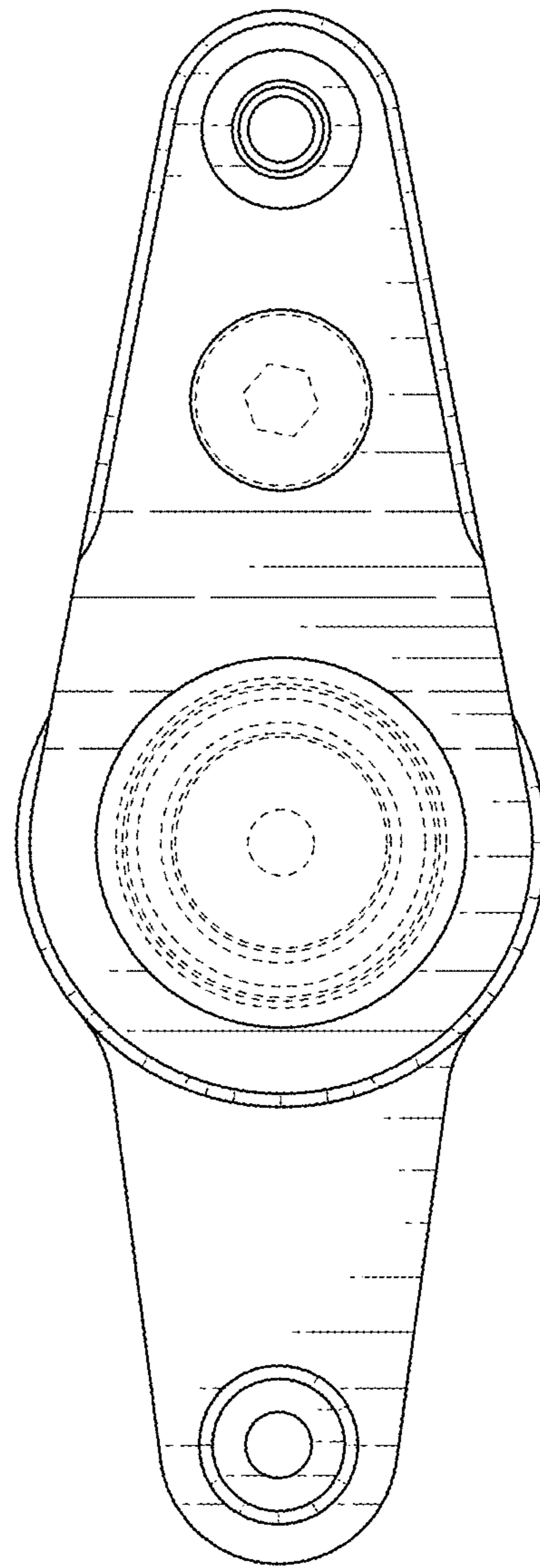


FIG. 8

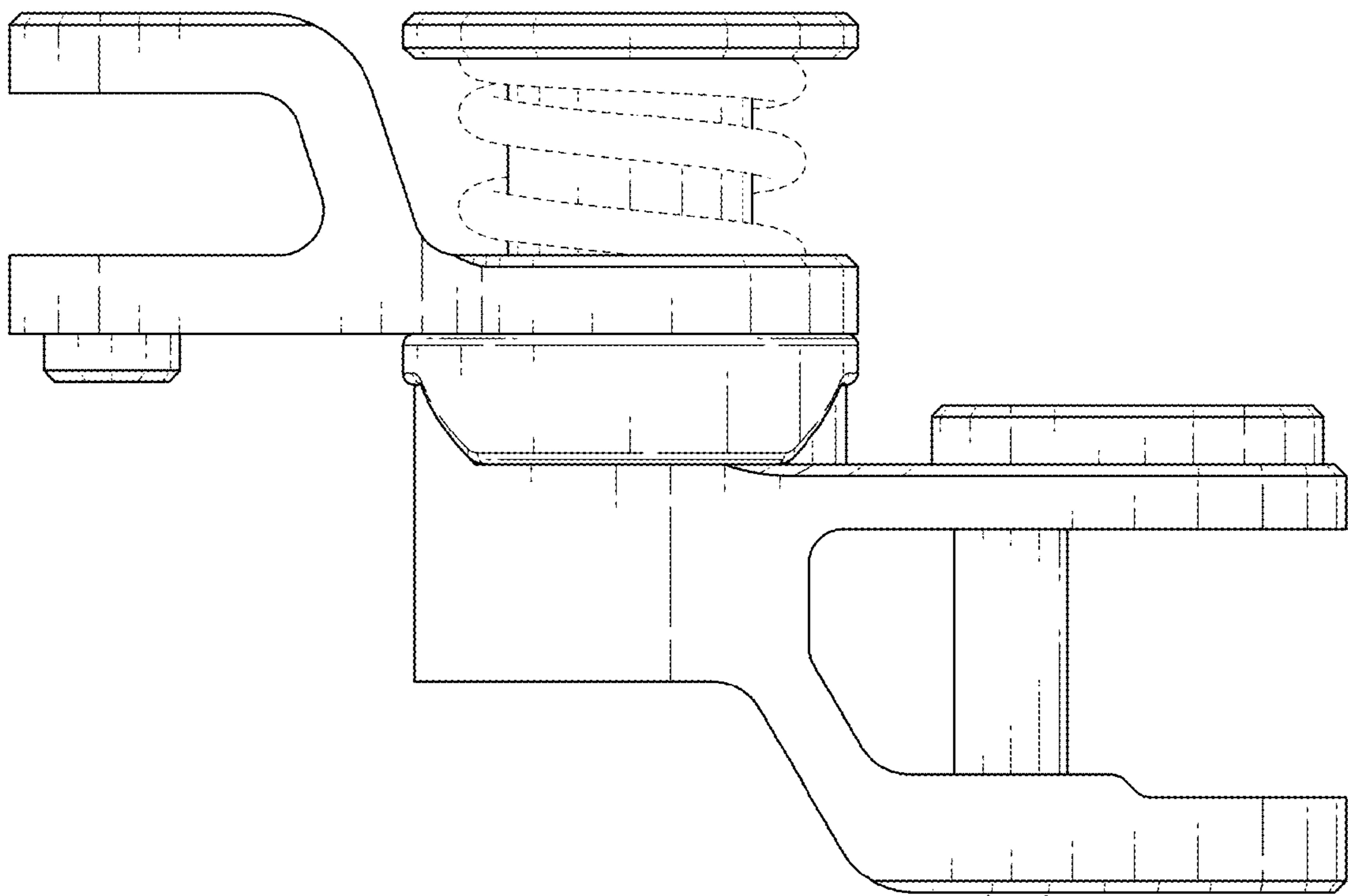


FIG. 9

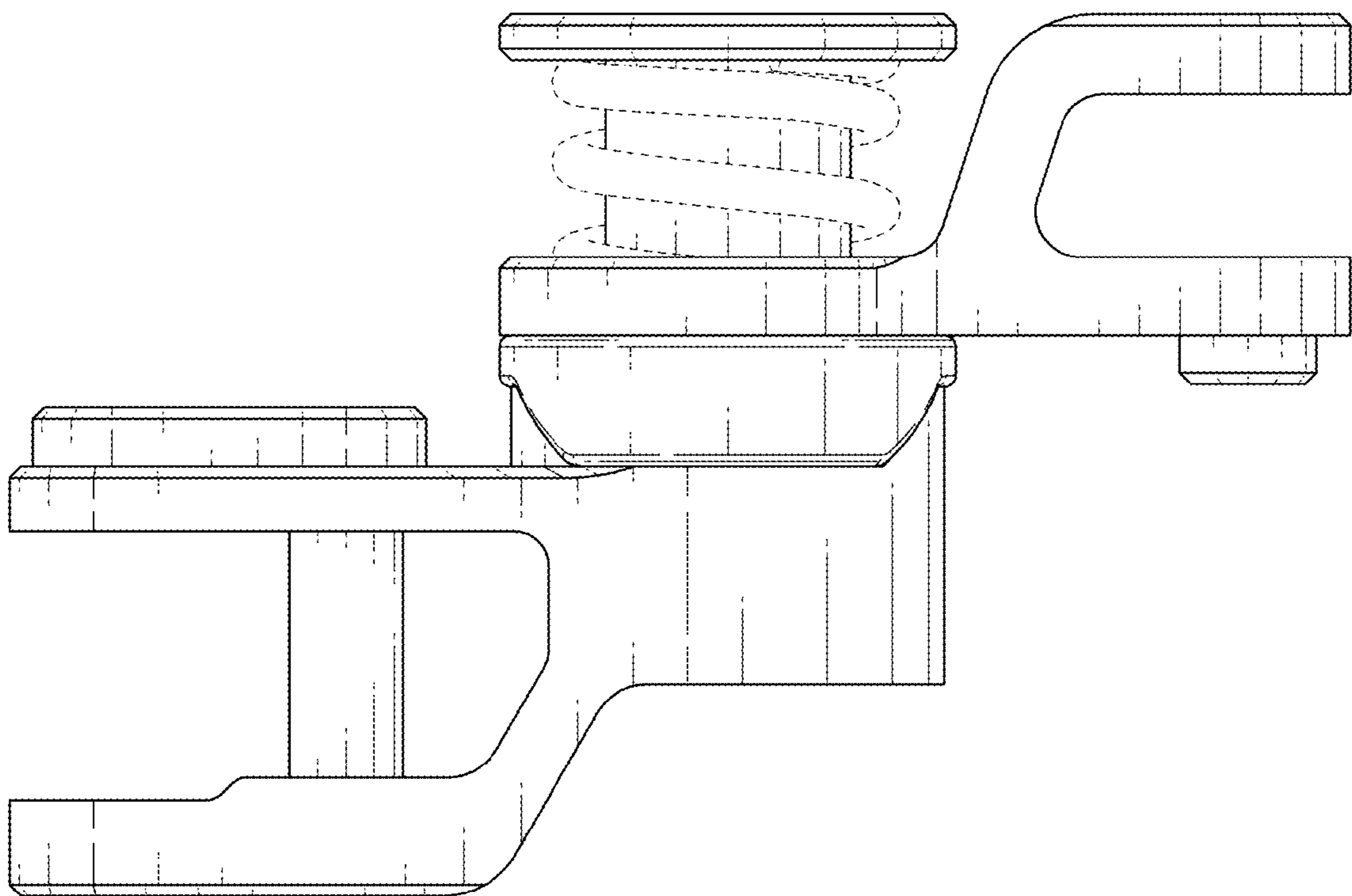


FIG. 10