



US0D1074848S

(12) **United States Design Patent**
Hix et al.

(10) **Patent No.: US D1,074,848 S**
(45) **Date of Patent: ** May 13, 2025**

(54) **MODEL VEHICLE SERVO HORN AND CONNECTING ROD ASSEMBLY**

(71) Applicant: **TRAXXAS, L.P.**, McKinney, TX (US)

(72) Inventors: **Caleb Hix**, McKinney, TX (US); **Adam Cole Ewing**, McKinney, TX (US); **Ross Martin**, Roanoke, TX (US)

(73) Assignee: **TRAXXAS, L.P.**, McKinney, TX (US)

(**) Term: **15 Years**

(21) Appl. No.: **29/925,252**

(22) Filed: **Jan. 23, 2024**

(51) **LOC (15) Cl.** **21-01**

(52) **U.S. Cl.**
USPC **D21/561**; D12/159

(58) **Field of Classification Search**
USPC D21/495, 533, 548, 552, 559, 560, 561, D21/562; D12/159, 160
CPC A63H 17/00; A63H 17/002; A63H 17/04; A63H 17/05; A63H 17/12; A63H 17/24; A63H 17/26; A63H 17/262; A63H 17/36
See application file for complete search history.

(56) **References Cited**

U.S. PATENT DOCUMENTS

6,357,768	B1 *	3/2002	Chan	B60G 9/006 280/124.106
6,394,878	B1 *	5/2002	Wang	A63H 17/262 446/454
7,143,861	B2 *	12/2006	Chu	B60G 3/20 280/124.109
D867,476	S *	11/2019	Wood	D12/159

D1,020,915	S *	4/2024	Christensen	D21/562
D1,040,937	S *	9/2024	Ewing	D21/562
D1,056,074	S *	12/2024	Poteet	D21/562
D1,058,702	S *	1/2025	Poteet	D21/562
2007/0256659	A1 *	11/2007	Anderson	B60G 15/067 123/198 R
2021/0283517	A1 *	9/2021	Rydwell	A63H 17/262
2025/0065241	A1 *	2/2025	Collins	A63H 31/00

* cited by examiner

Primary Examiner — Cynthia M. Chin

(74) *Attorney, Agent, or Firm* — Daryl R. Wright; Greg Carr

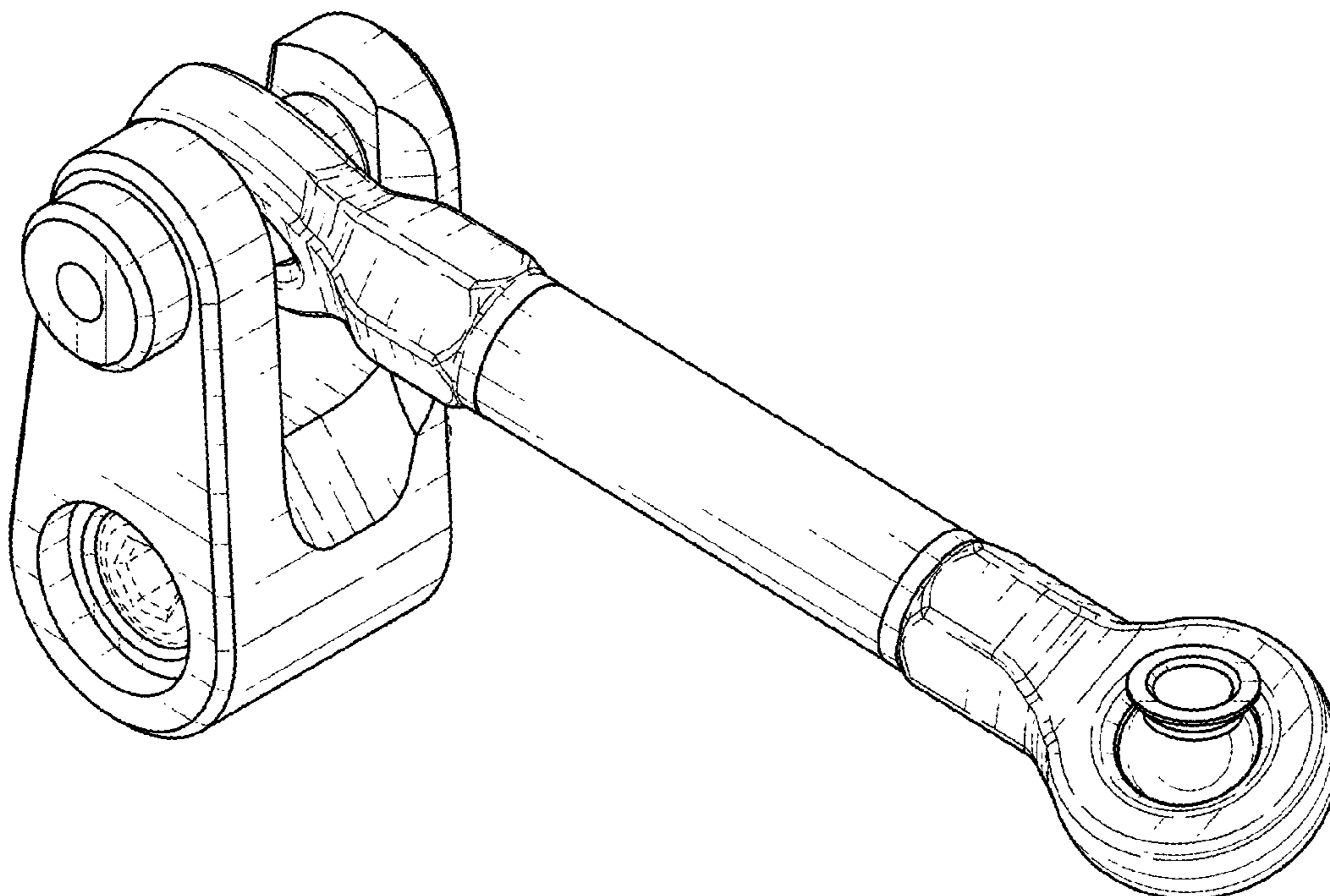
(57) **CLAIM**

The ornamental design for a model vehicle servo horn and connecting rod assembly as shown and described.

DESCRIPTION

FIG. 1 is an upper, left, front perspective view of a model vehicle servo horn and connecting rod assembly showing our new design;
 FIG. 2 is an upper, right, rear perspective view thereof;
 FIG. 3 is a lower, right, front perspective view thereof;
 FIG. 4 is a lower, left, rear perspective view thereof;
 FIG. 5 is a front elevation view thereof;
 FIG. 6 is a rear elevation view thereof;
 FIG. 7 is an upper plan view thereof;
 FIG. 8 is a lower plan view thereof;
 FIG. 9 is a right-side elevation view thereof; and,
 FIG. 10 is a left-side elevation view of the model vehicle servo horn and connecting rod assembly.
 In the drawings, the broken lines illustrate portions of the model vehicle servo horn and connecting rod assembly that form no part of the claimed design.

1 Claim, 7 Drawing Sheets



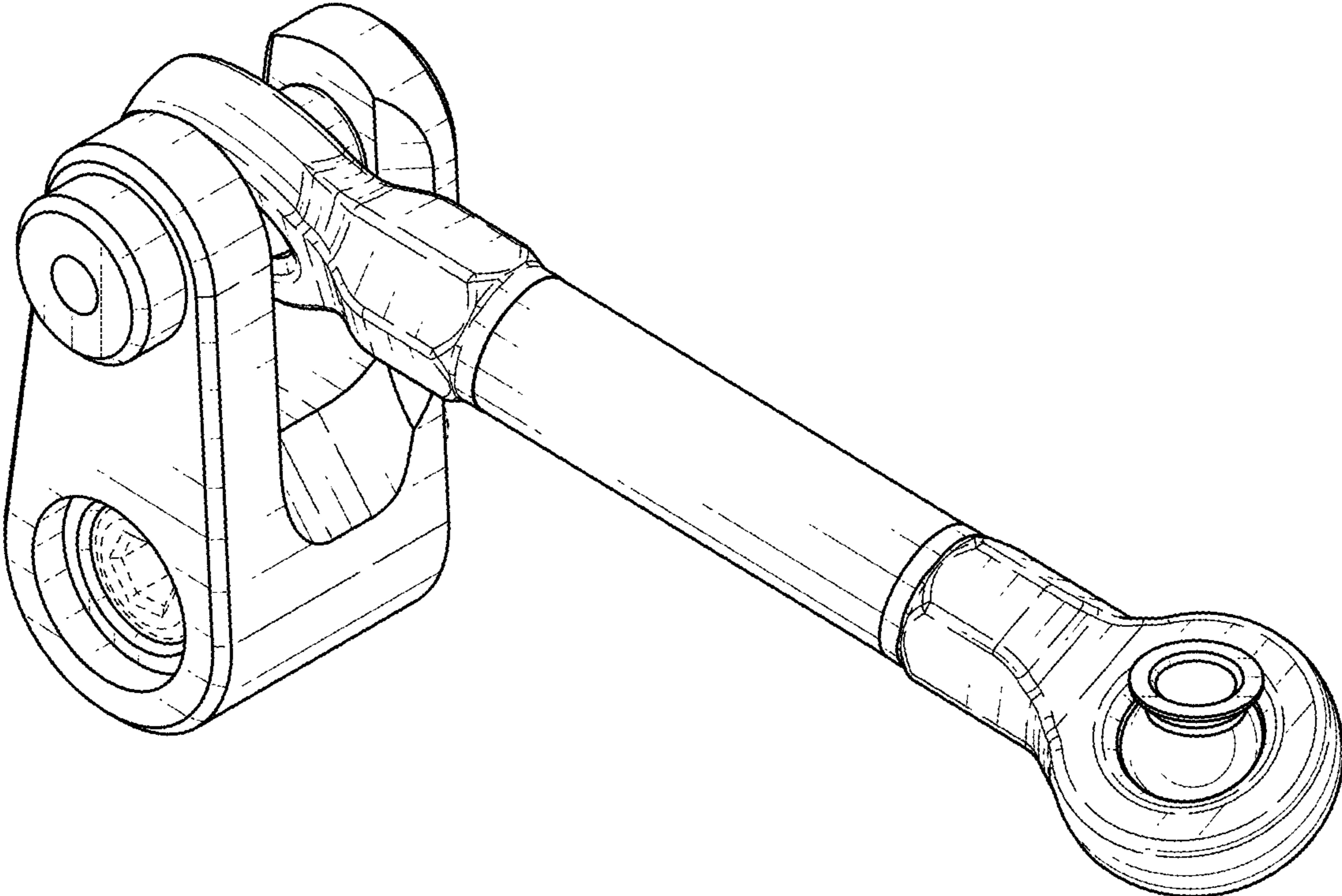


FIG. 1

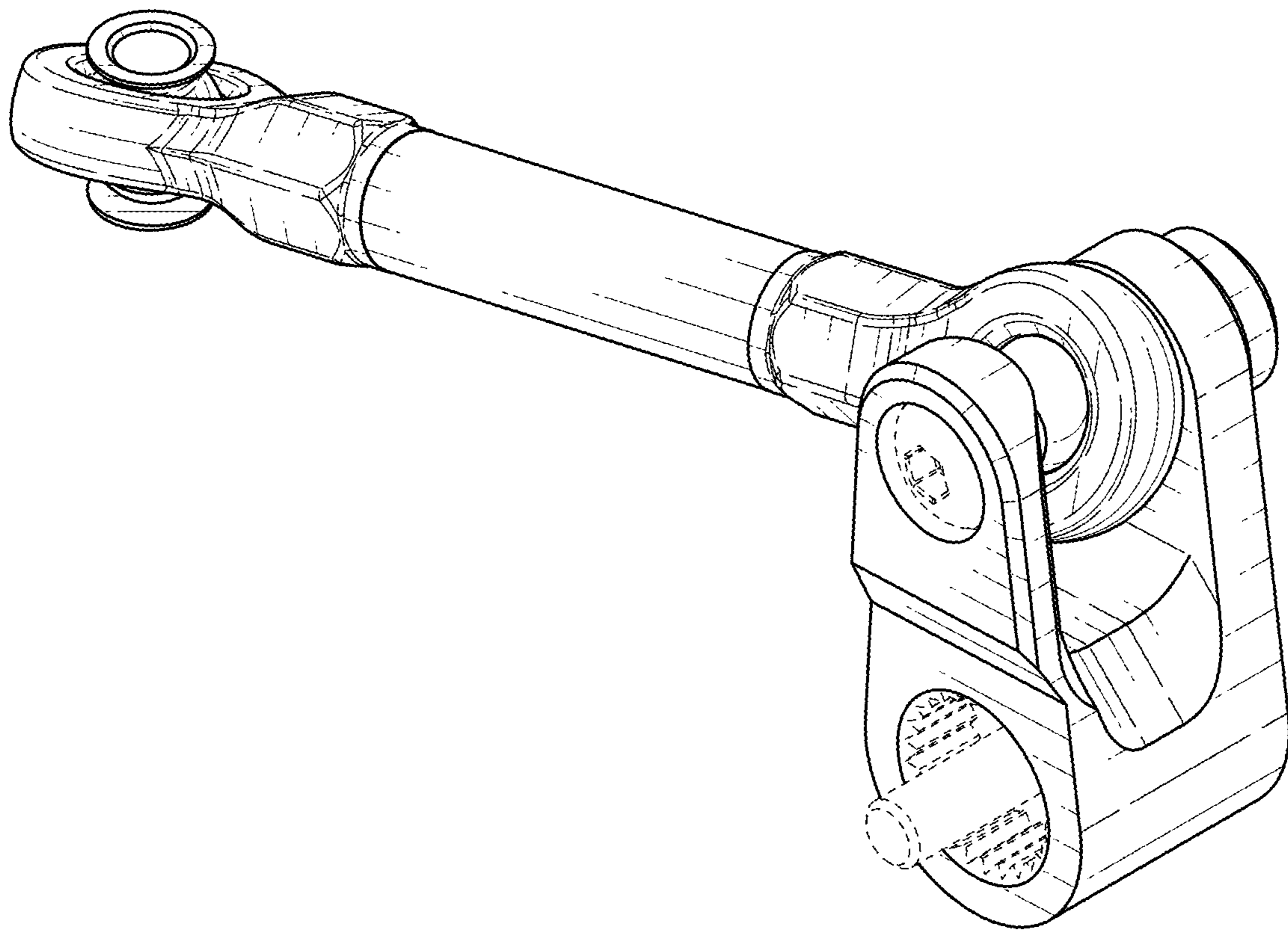


FIG. 2

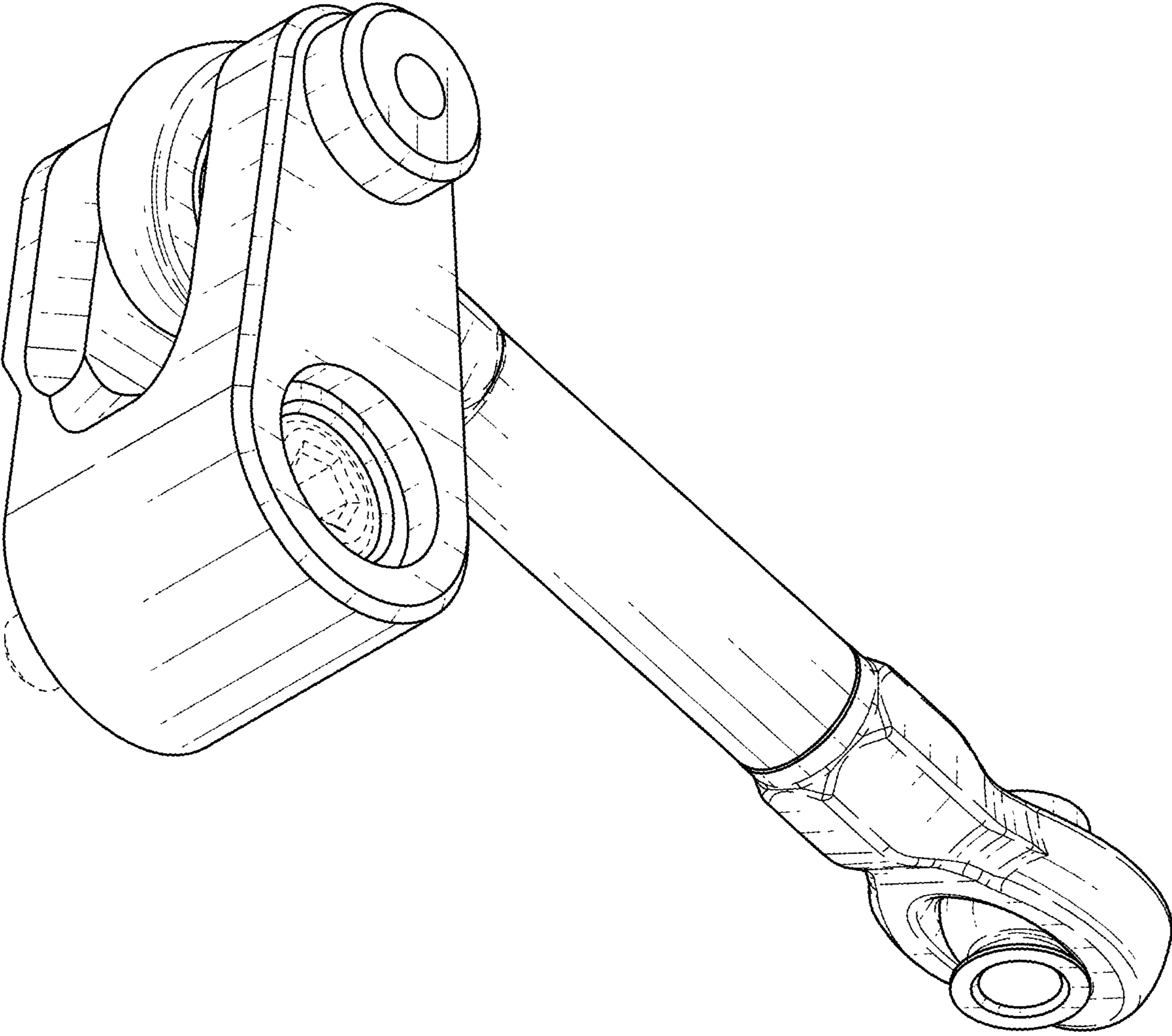


FIG. 3

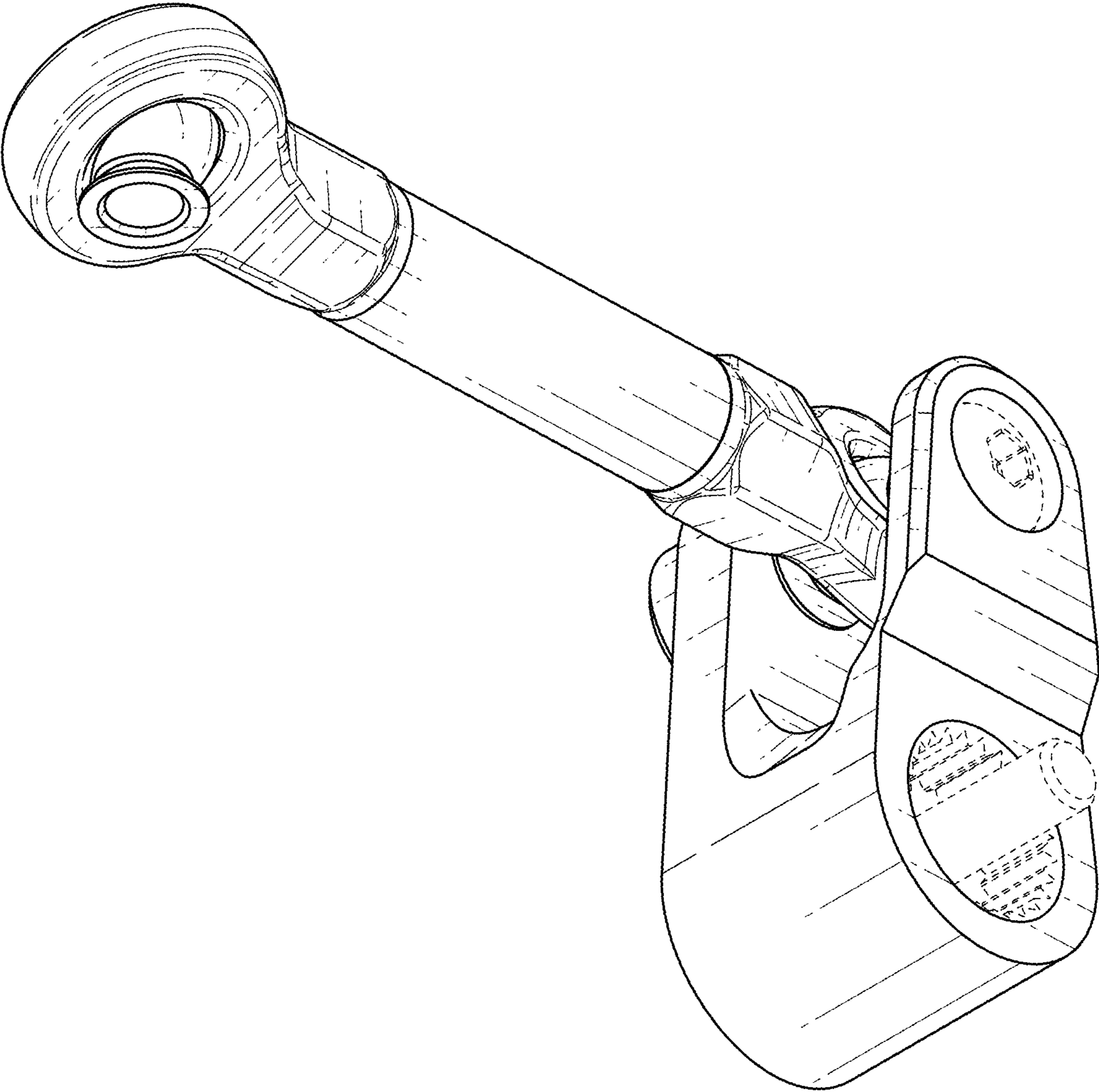


FIG. 4

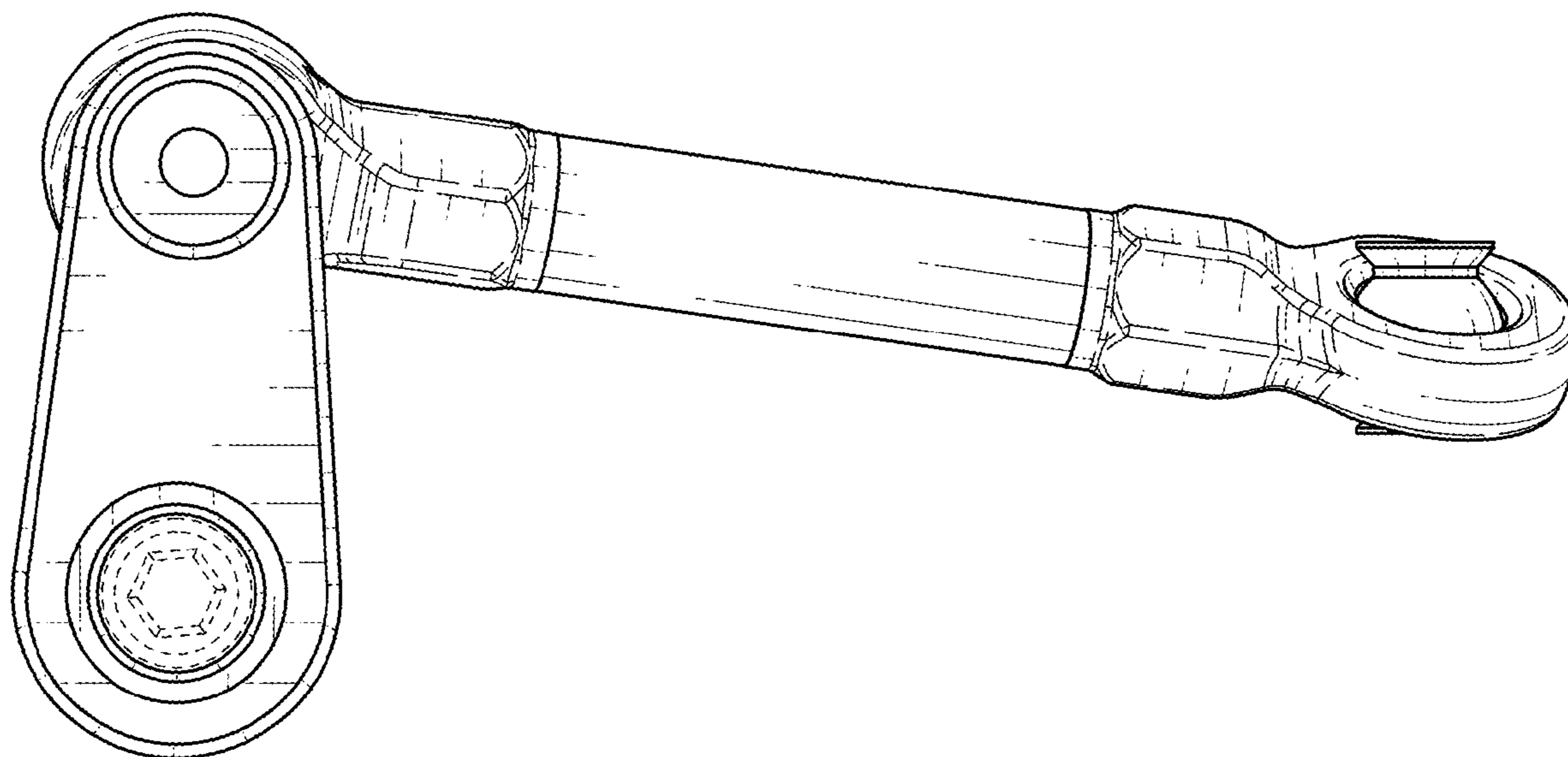


FIG. 5

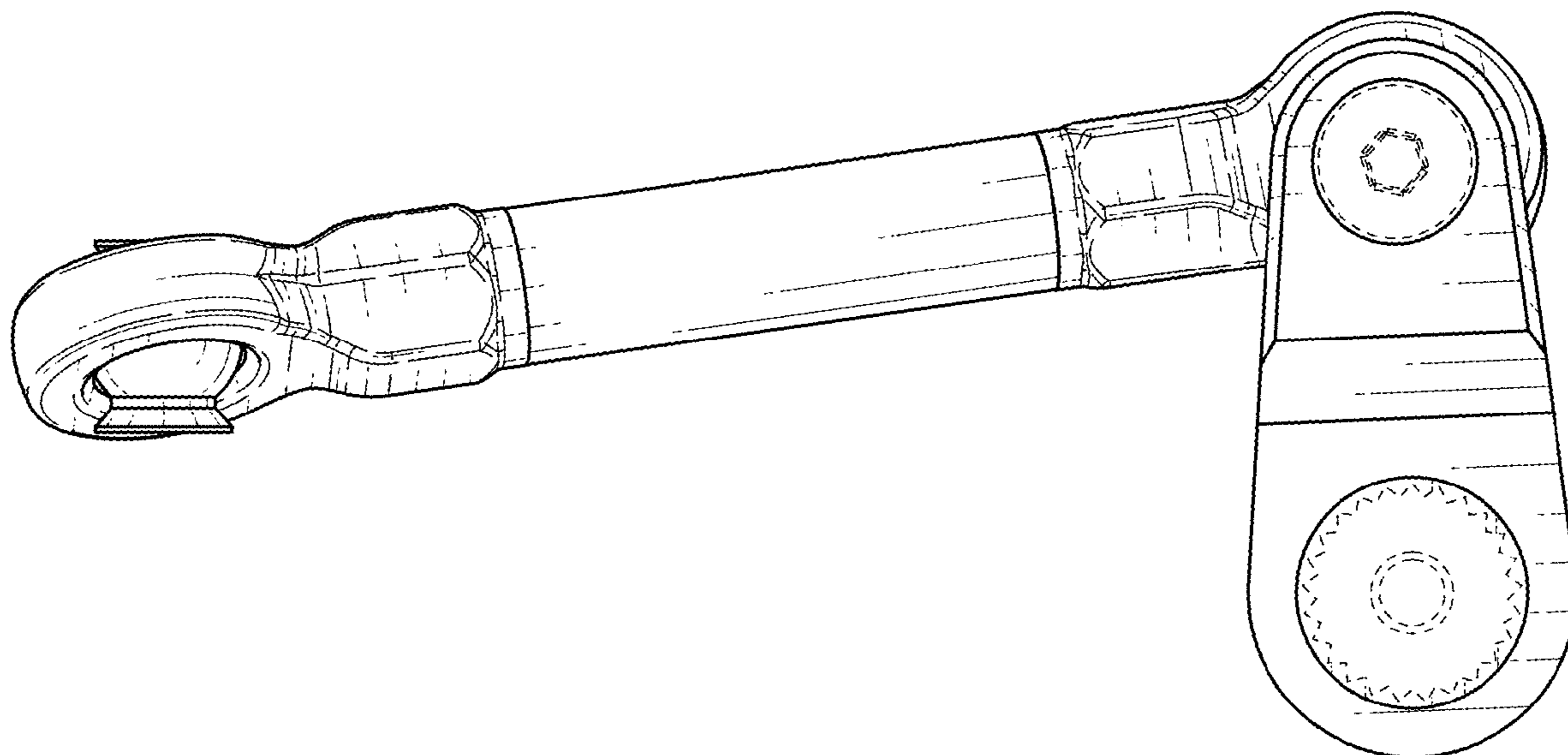


FIG. 6

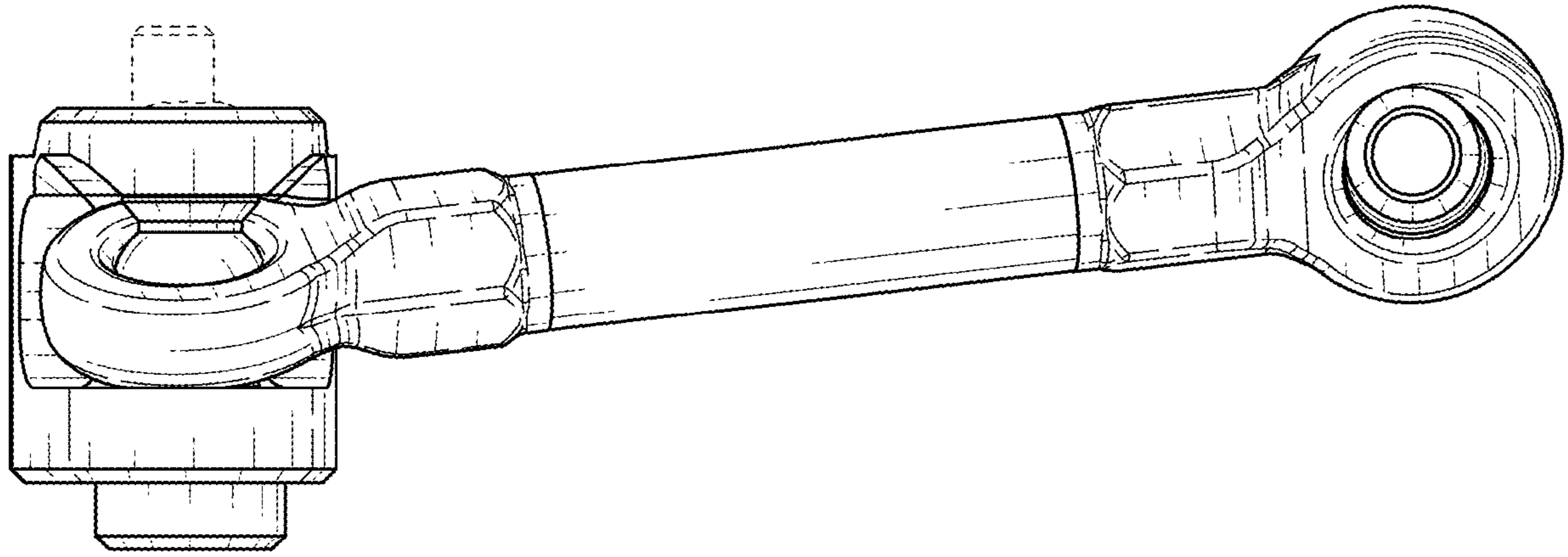


FIG. 7

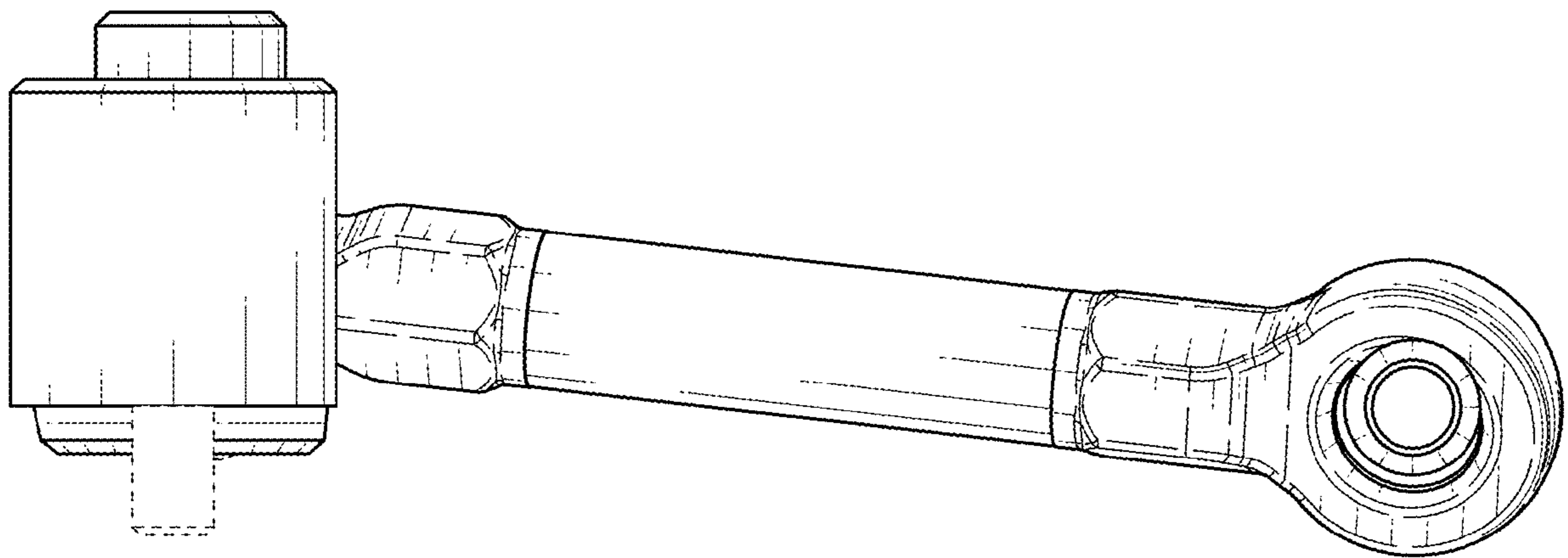


FIG. 8

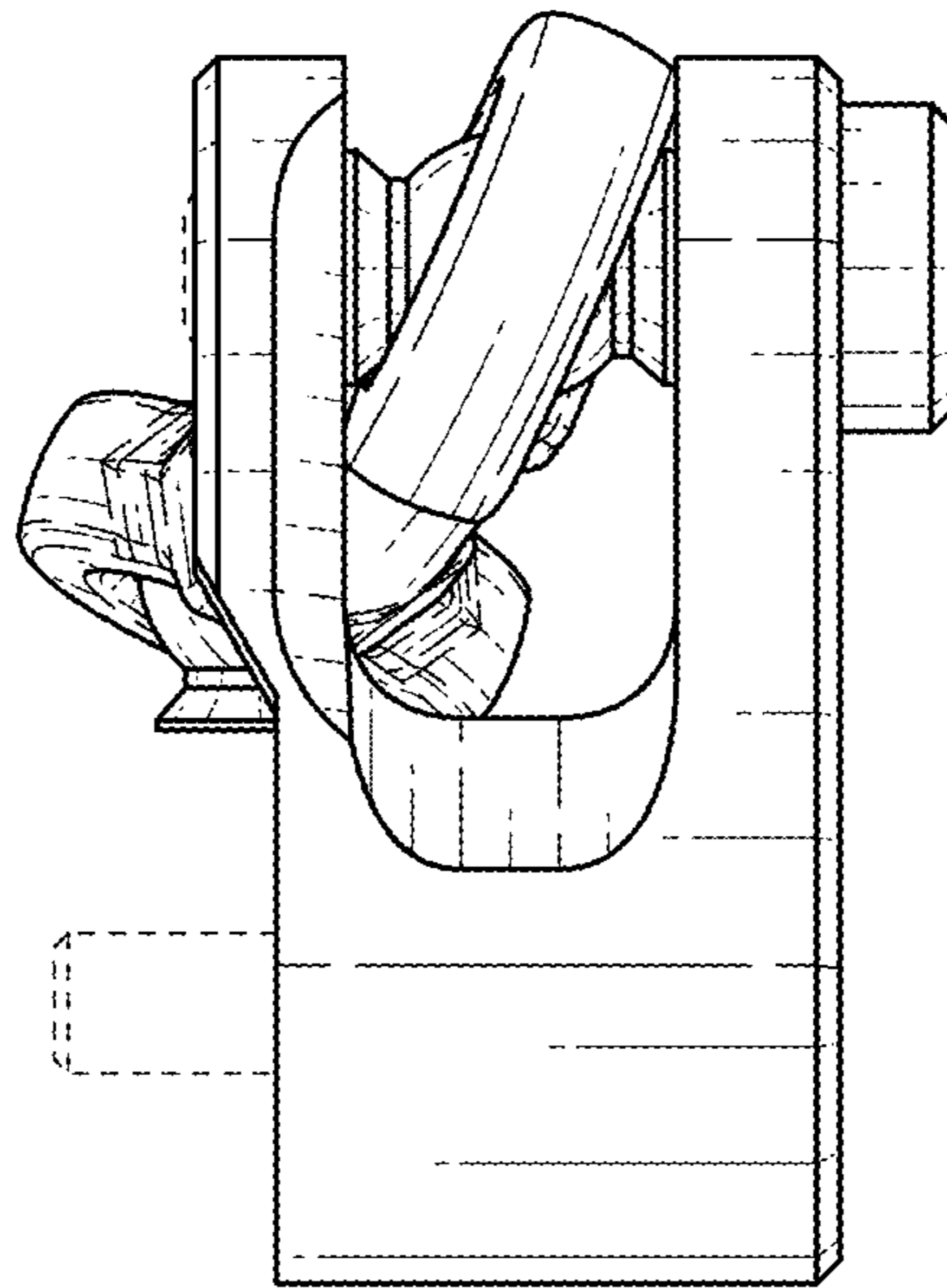


FIG. 9

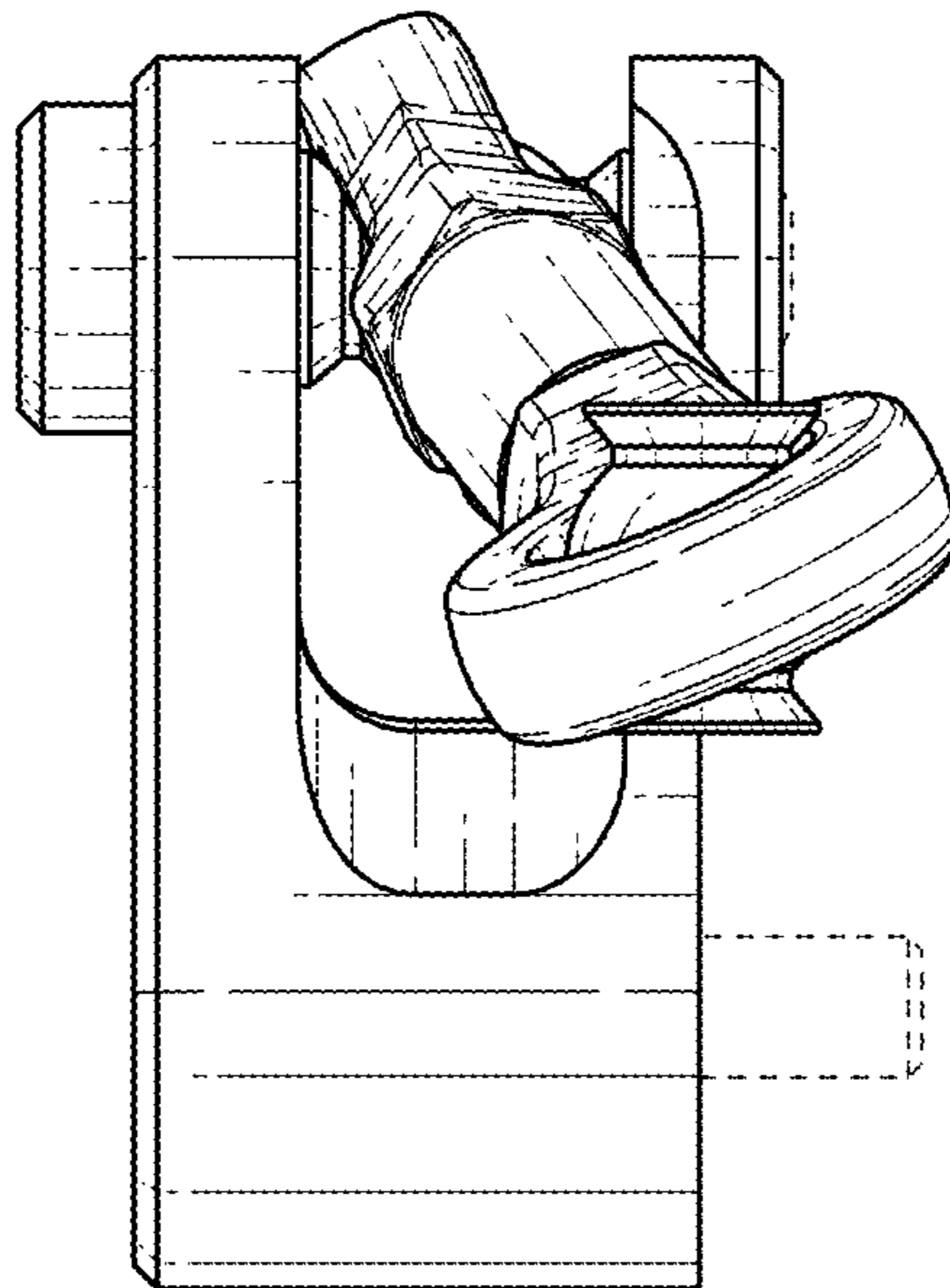


FIG. 10