



US0D1074846S

(12) **United States Design Patent**
Hix et al.

(10) **Patent No.: US D1,074,846 S**

(45) **Date of Patent: ** May 13, 2025**

(54) **MODEL VEHICLE MOTOR MOUNT**

FOREIGN PATENT DOCUMENTS

(71) Applicant: **TRAXXAS, L.P.**, McKinney, TX (US)

EM 015031331-0039 9/2023
GB 6307599 9/2023

(72) Inventors: **Caleb Hix**, McKinney, TX (US); **Adam Cole Ewing**, McKinney, TX (US); **Ross Martin**, Roanoke, TX (US)

OTHER PUBLICATIONS

(73) Assignee: **TRAXXAS, L.P.**, McKinney, TX (US)

Traxxas 7760 Orange Aluminum Front & Rear Motor Mounts, available at ebay.com, no date found [online], [site visited Apr. 16, 2024], Internet URL: <https://www.ebay.com/itm/256250318339> (Year: 2024).

(**) Term: **15 Years**

(Continued)

(21) Appl. No.: **29/925,230**

(22) Filed: **Jan. 23, 2024**

Primary Examiner — Cynthia M. Chin

(51) **LOC (15) Cl.** **21-01**

(74) *Attorney, Agent, or Firm* — Daryl R. Wright; Greg Carr

(52) **U.S. Cl.**

USPC **D21/561**; D15/5

(58) **Field of Classification Search**

(57) **CLAIM**

USPC D21/495, 533, 548, 552, 559, 560, 561,

D21/562; D12/159, 160; D15/5

CPC A63H 17/00; A63H 17/002; A63H 17/04;

A63H 17/05; A63H 17/12; A63H 17/24;

A63H 17/26; A63H 17/262; A63H 17/36

See application file for complete search history.

The ornamental design for a model vehicle motor mount as shown and described.

DESCRIPTION

(56) **References Cited**

FIG. 1 is a rear elevation view of a model vehicle motor mount showing our new design; FIG. 2 is a front elevation view thereof; FIG. 3 is an upper plan view thereof; FIG. 4 is a lower plan view thereof; FIG. 5 is a right-side elevation view thereof; FIG. 6 is a left-side elevation view thereof; FIG. 7 is an upper, right, front perspective view; FIG. 8 is a lower, right, front perspective view thereof; FIG. 9 is an upper, left, rear perspective view thereof; and, FIG. 10 is a lower, left, rear perspective view of the model vehicle motor mount.

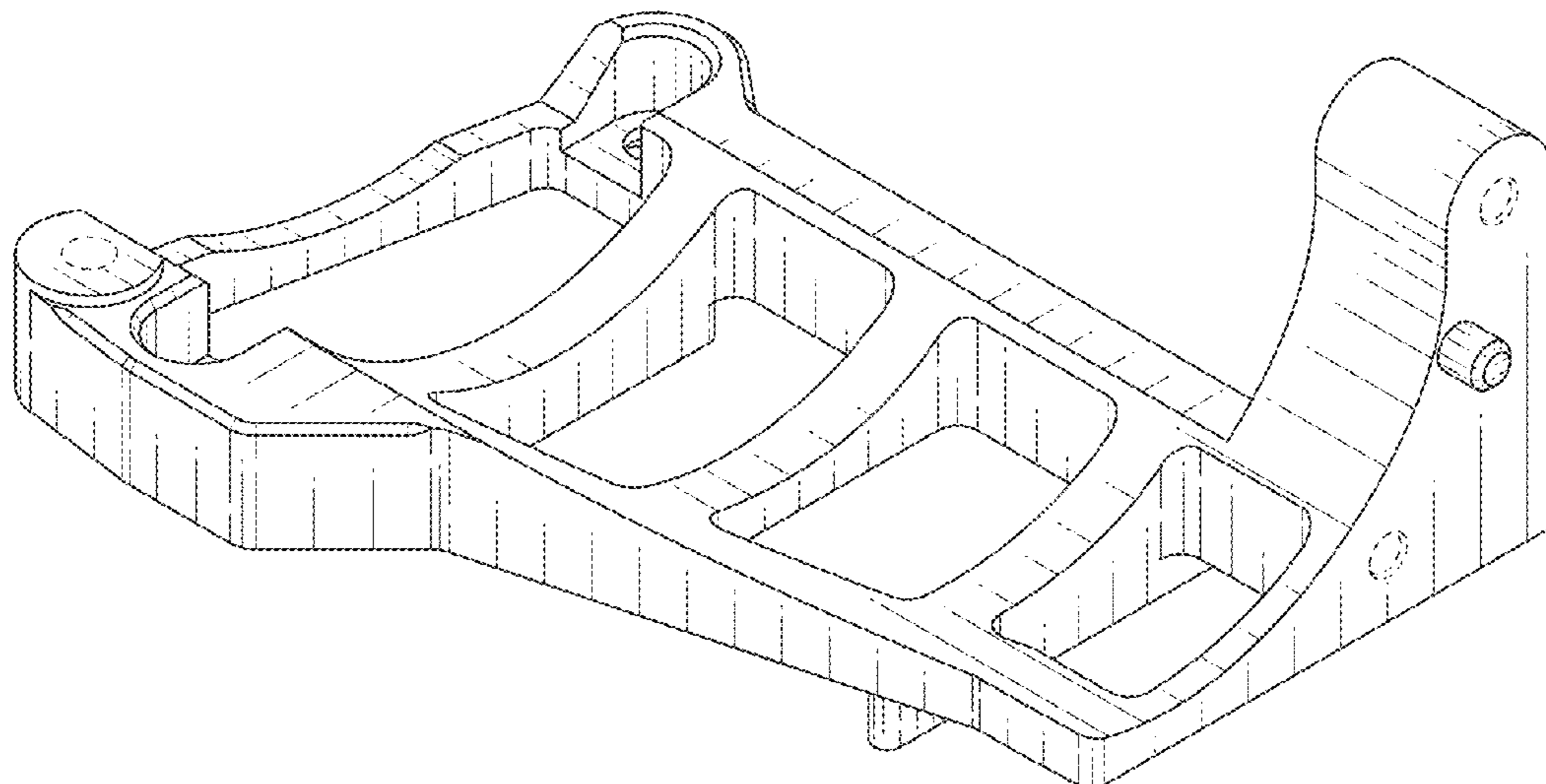
U.S. PATENT DOCUMENTS

D246,921 S *	1/1978	Moline	D12/345
D279,329 S	6/1985	Dzak		
D279,426 S	7/1985	Dzak		
D304,472 S	11/1989	Poulsen		
D317,336 S *	6/1991	Tsuchiya	D21/550
6,779,755 B1	8/2004	Thomsen		
D597,151 S *	7/2009	Ishikawa	D21/562
D798,906 S	10/2017	Bennett et al.		
D887,359 S *	6/2020	McCoy, Jr.	D13/122
D945,897 S	3/2022	Brumbach		
D951,299 S *	5/2022	Nyren	D15/4
D954,612 S	6/2022	Owens et al.		
D964,482 S *	9/2022	Ewing	D21/562
D992,050 S	7/2023	Yang et al.		
D992,051 S	7/2023	Yang et al.		

In the drawings, the broken lines illustrate portions of the model vehicle motor mount that form no part of the claimed design.

(Continued)

1 Claim, 5 Drawing Sheets



(56)

References Cited

U.S. PATENT DOCUMENTS

D992,052 S	7/2023	Yang et al.	
D992,053 S	7/2023	Yang et al.	
D992,054 S	7/2023	Yang et al.	
D996,529 S	8/2023	Allmendinger et al.	
D1,019,480 S	3/2024	Collins et al.	
D1,025,847 S	5/2024	Collins et al.	
D1,030,910 S	6/2024	Poteet et al.	
D1,031,781 S *	6/2024	Sprowl	D21/495
D1,040,255 S	8/2024	Ewing et al.	
D1,064,114 S *	2/2025	Poteet	D21/562
2014/0227941 A1 *	8/2014	Suzuki	A63H 17/36 446/456

OTHER PUBLICATIONS

HopsupRC RC Motor Mounts Fixed Seat Upgrade Parts, Amazon Website, Earliest Comment Date: Aug. 13, 2024 [Website Visited: Oct. 2, 2024] Available on the Internet, URL: <https://www.amazon.com/dp/B0D6YGHTZB> (Year: 2024).

RC Front Motor Mount 7760, Amazon Website, No Available Date [Website Visited: Oct. 2, 2024] Available on the Internet: URL: <https://www.amazon.com/dp/B0CXJ2JYWS/> (Year: 2024).

Aluminum Motor Mounts, Traxxas Website, No Available Date [Website Visited: Oct. 2, 2024] Available on the Internet, URL: <https://traxxas.com/products/parts/7760-GRN> (Year: 2024).

* cited by examiner

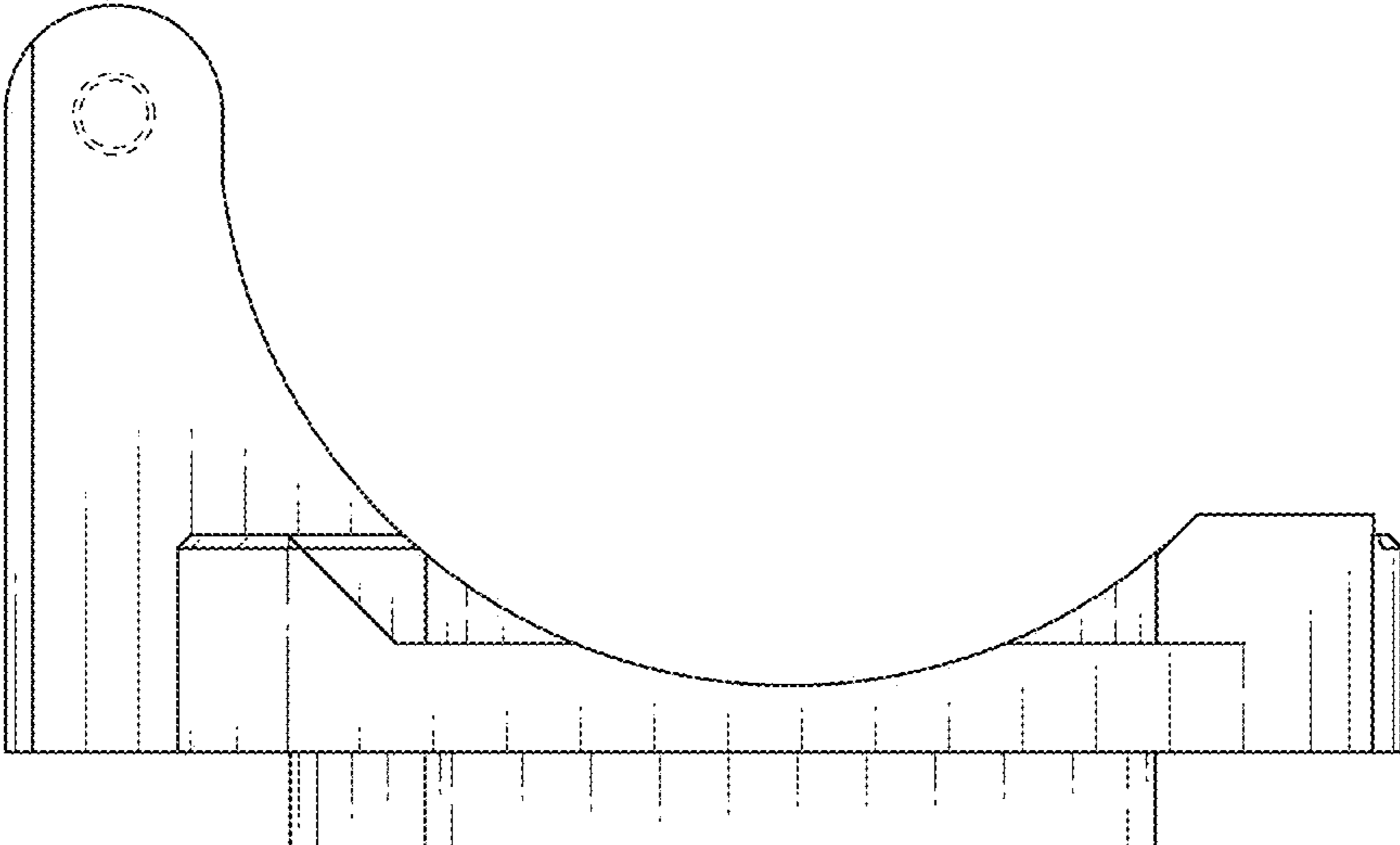


FIG. 1

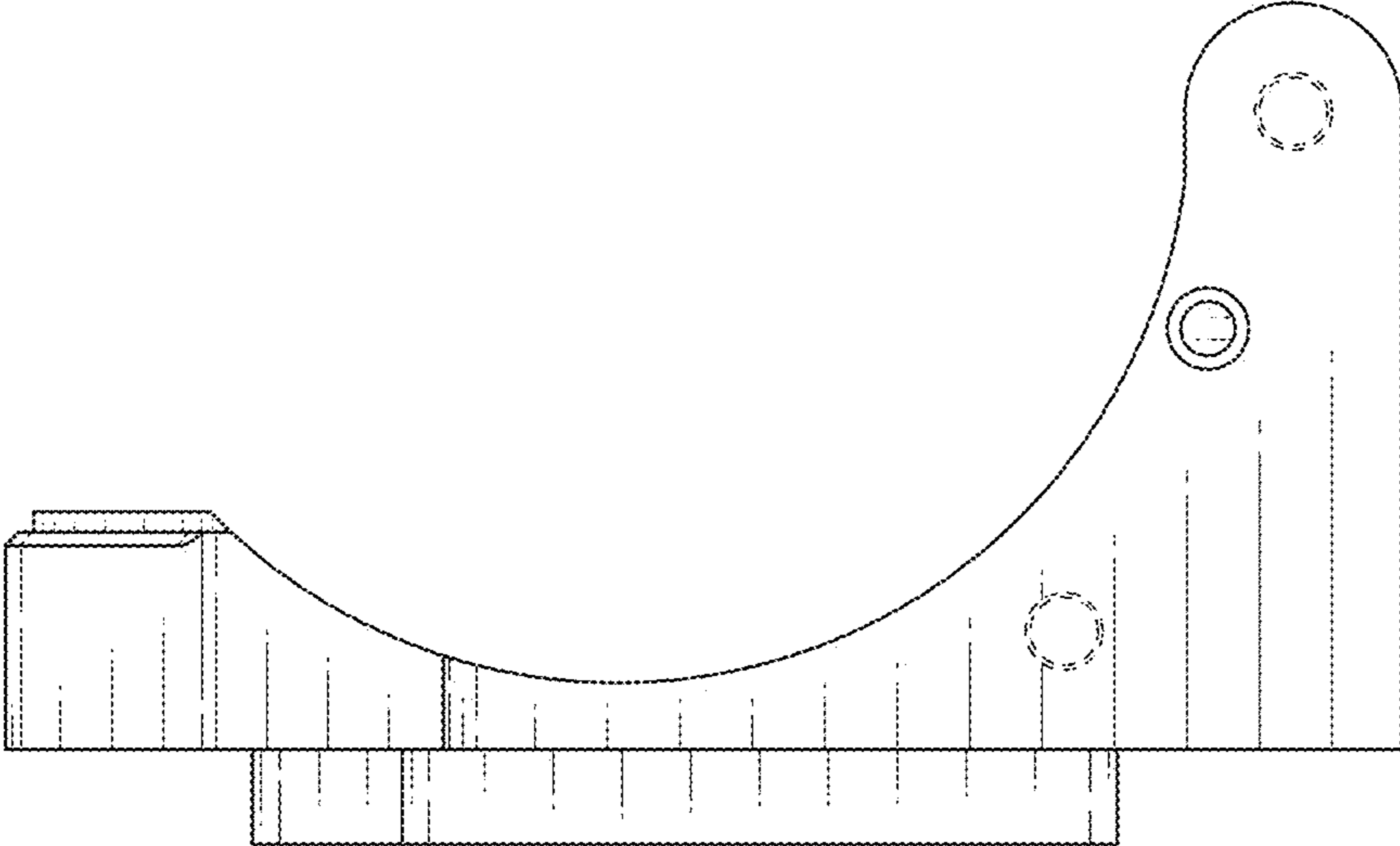


FIG. 2

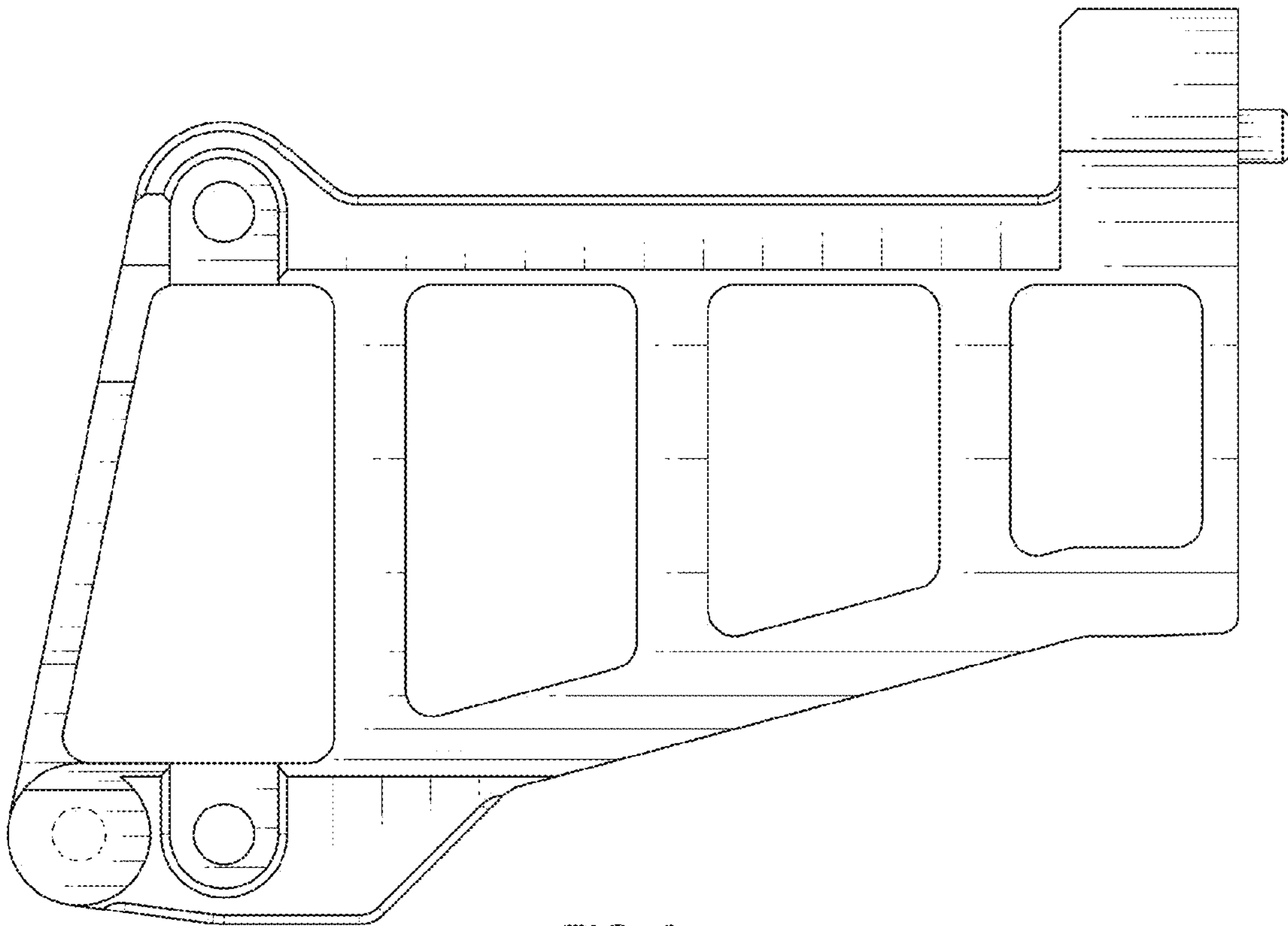


FIG. 3

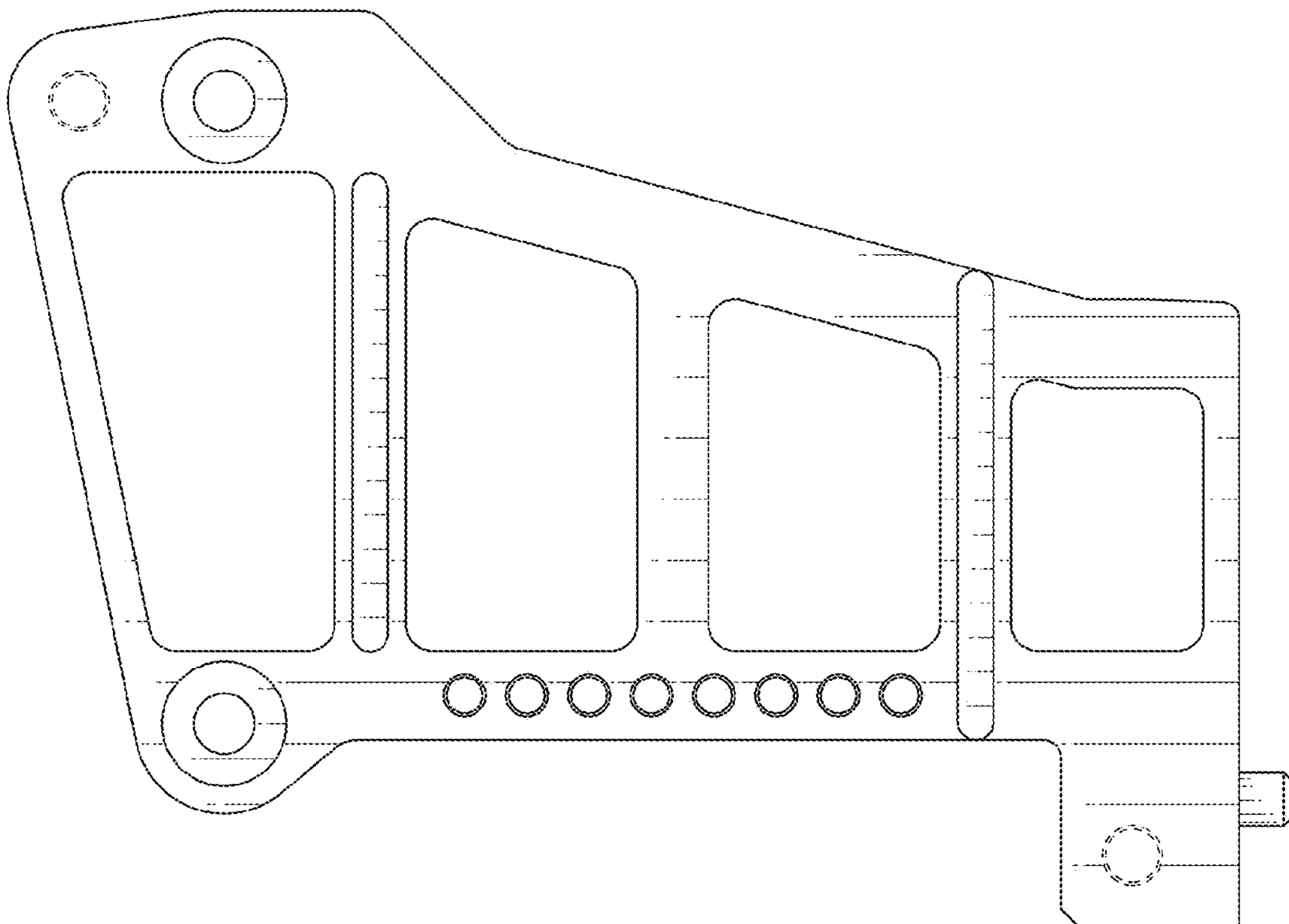


FIG. 4

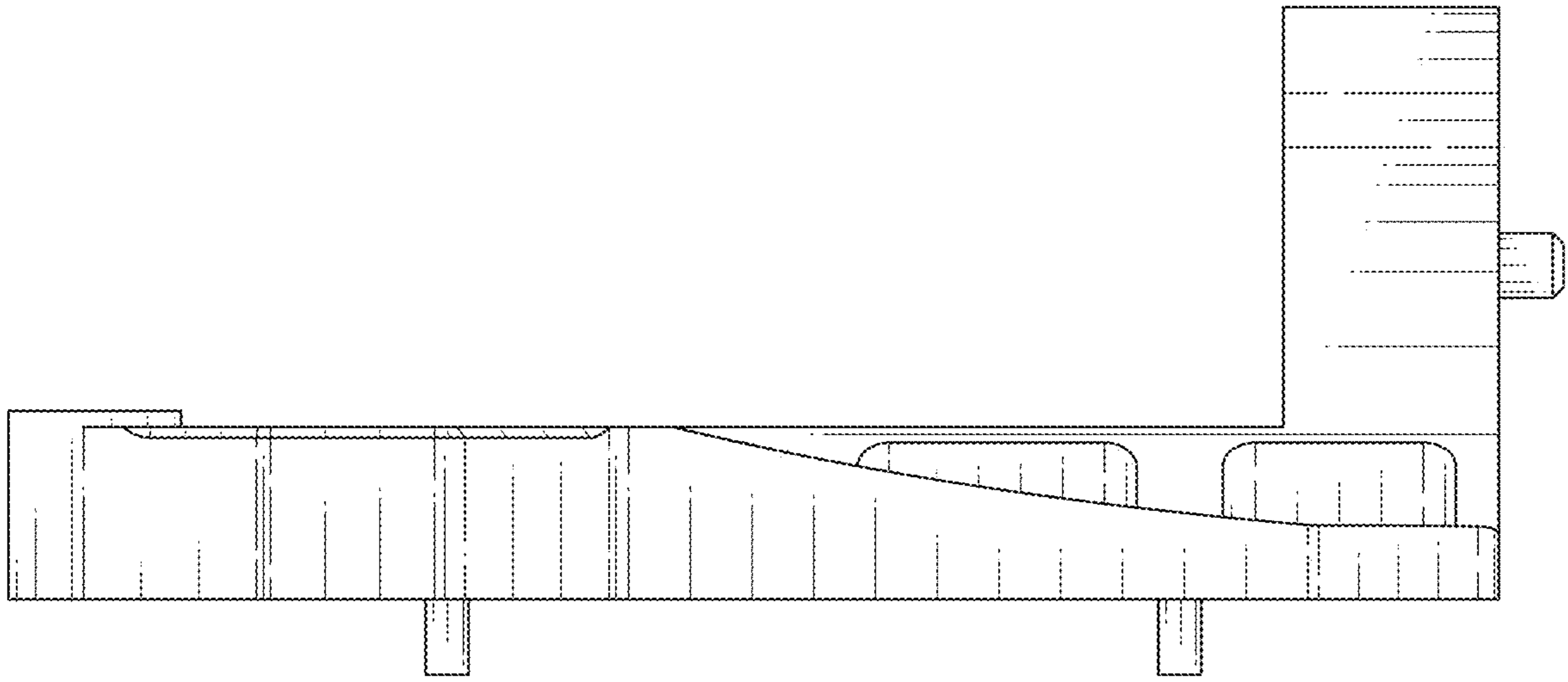


FIG. 5

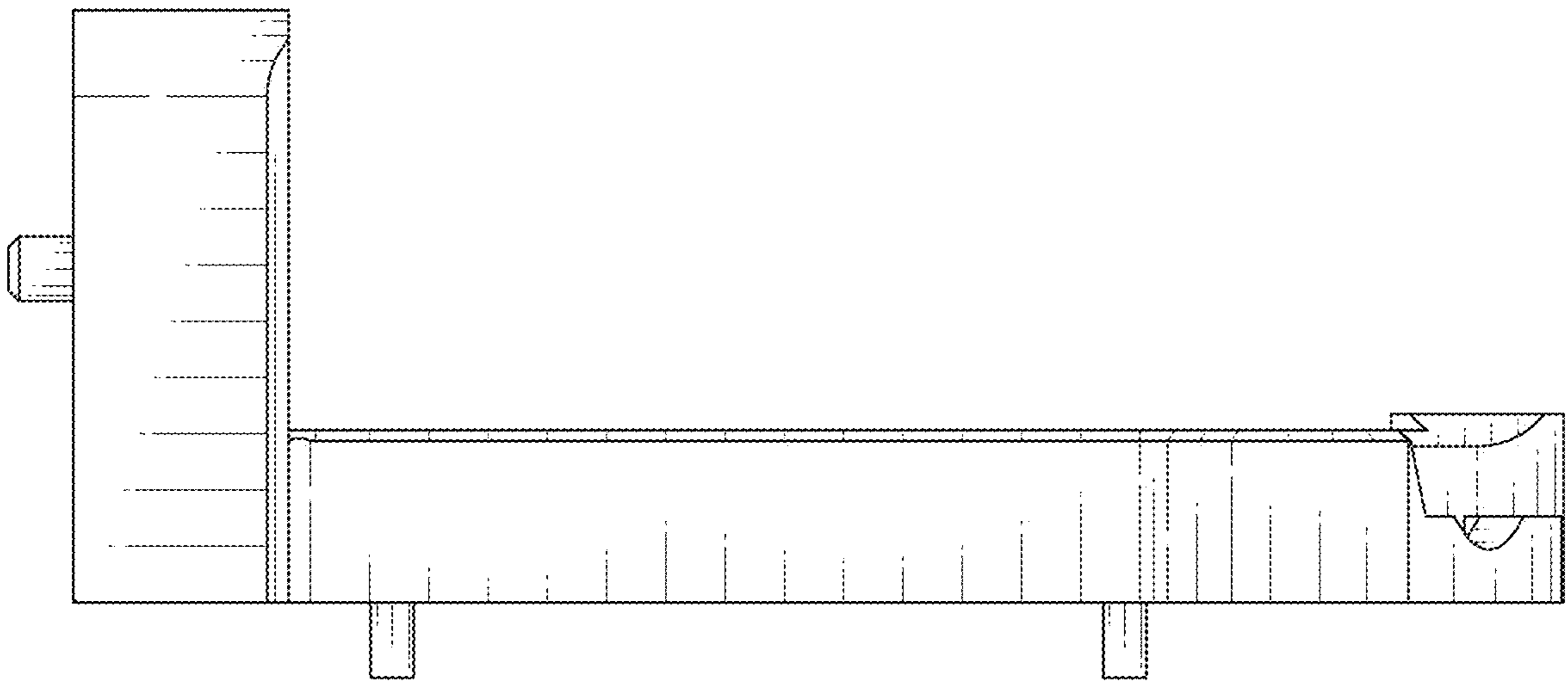


FIG. 6

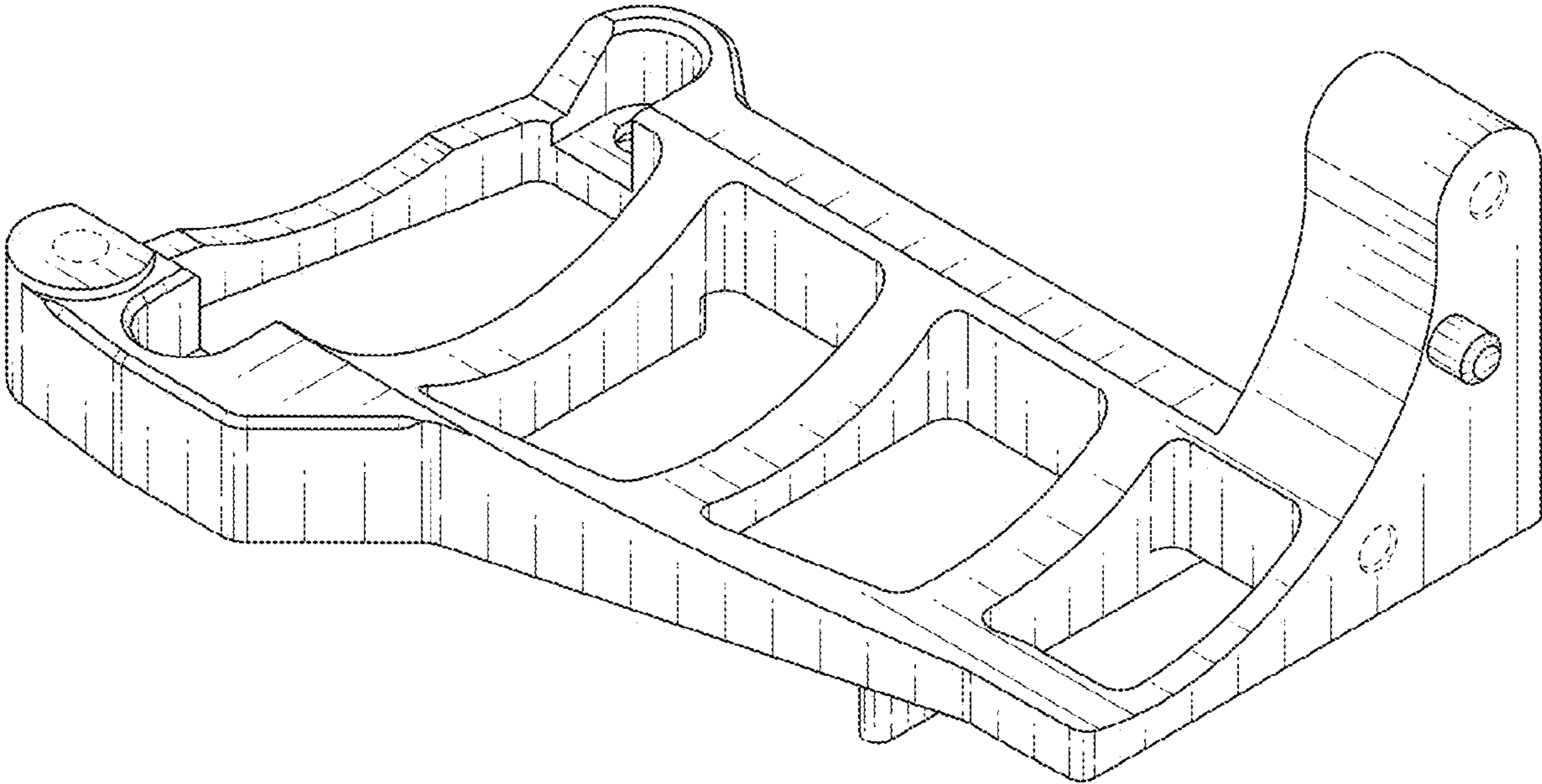


FIG. 7

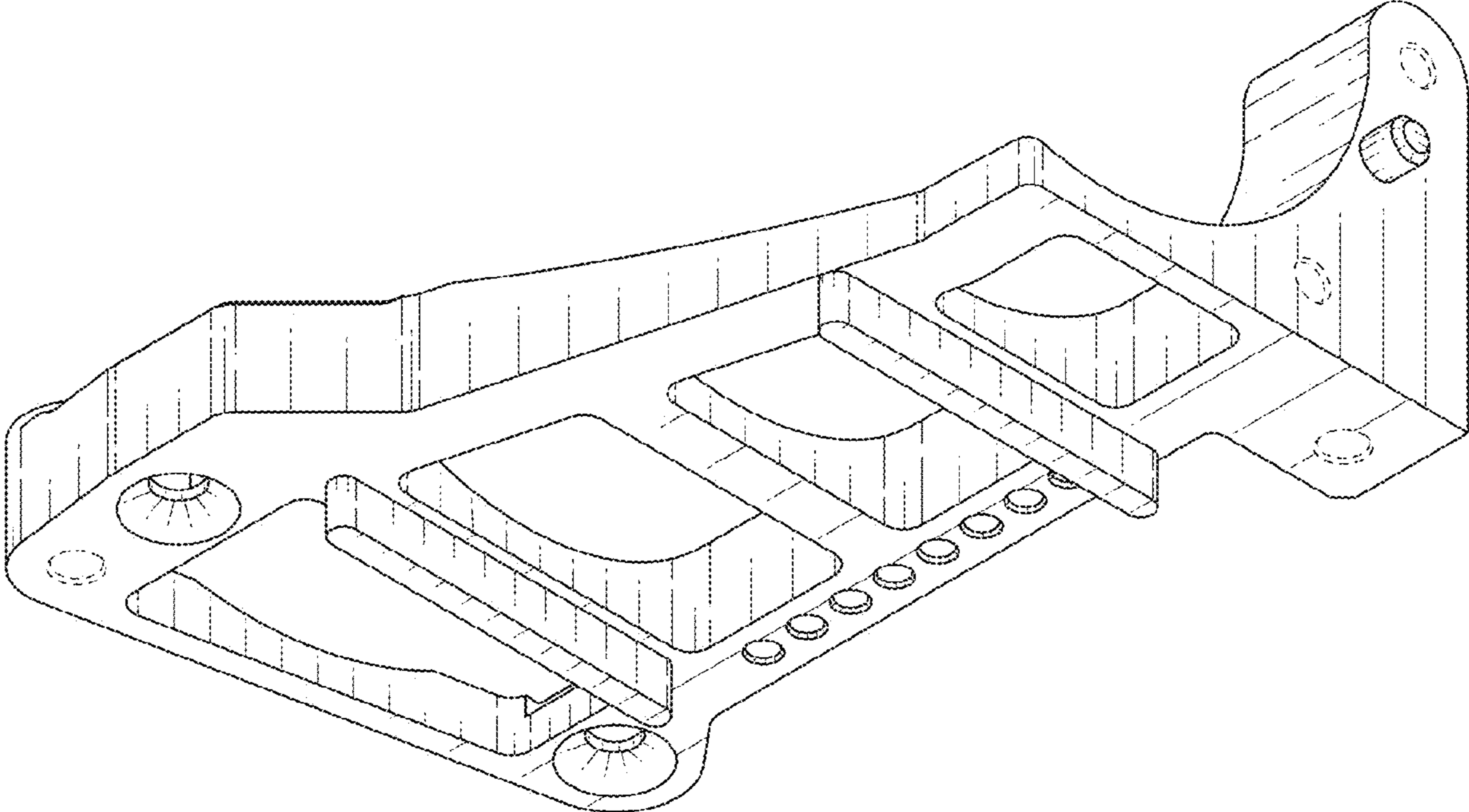


FIG. 8

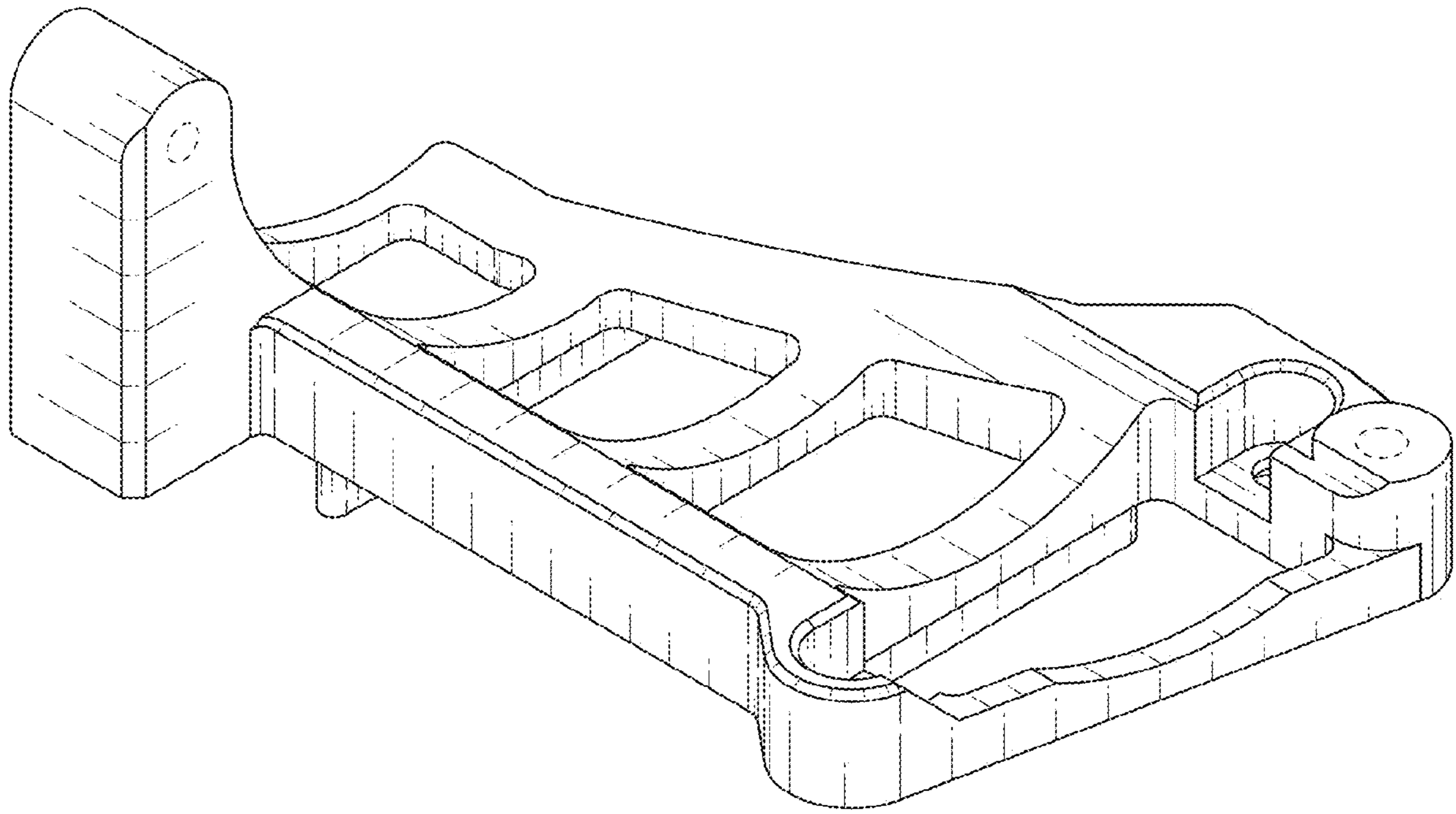


FIG. 9

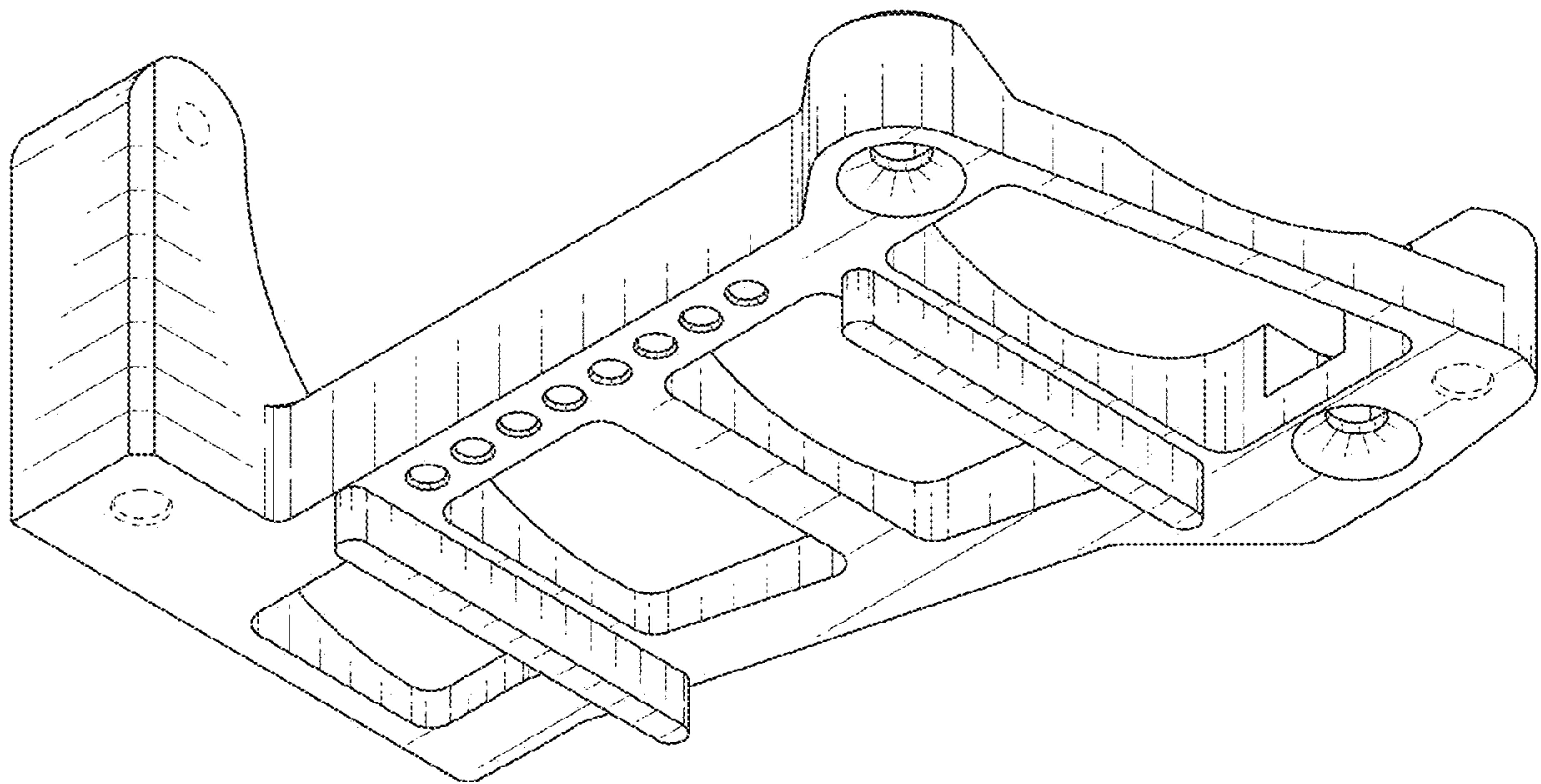


FIG. 10