



US0D1074769S

(12) **United States Design Patent** (10) **Patent No.:** **US D1,074,769 S**
Havia et al. (45) **Date of Patent:** **** May 13, 2025**

(54) **POWER SOURCE HOUSING ELEMENT**

esab.com/us/nam_en/esab-university/articles/battery-powered-welder/ (Year: 2024).*

(71) Applicant: **ESAB AB**, Gothenburg (SE)

(Continued)

(72) Inventors: **Jarkko Havia**, Gothenburg (SE);
Andreas Ulmefors, Gothenburg (SE);
Jeroen Dekker, Gothenburg (SE);
Johan Johansson, Gothenburg (SE);
Mark Lowther, Warrington (GB);
Bartosz Kutarba, Swidnica (PL);
Michael Sammons, Denton, TX (US);
Peter Burchfield, Alexandria, VA (US)

Primary Examiner — Leanne Was-Englehart

Assistant Examiner — Devin Kelly

(74) *Attorney, Agent, or Firm* — Edell, Shapiro & Finnan, LLC

(73) Assignee: **ESAB AB**, Gothenburg (SE)

(57) **CLAIM**

The ornamental design for a power source housing element as shown and described.

(**) Term: **15 Years**

(21) Appl. No.: **29/851,713**

DESCRIPTION

(22) Filed: **Aug. 31, 2022**

(51) **LOC (15) Cl.** **15-09**

(52) **U.S. Cl.**
USPC **D15/144**

(58) **Field of Classification Search**
USPC D13/107, 108, 113, 133, 159, 160, 184,
D13/199; D15/144

FIG. 1 is a front perspective view of a power source housing element in the form of an end plate;

FIG. 2 is a back perspective view of the power source housing element of FIG. 1;

FIG. 3 is a front view of the power source housing element of FIG. 1;

FIG. 4 is a back view of the power source housing element of FIG. 1;

FIG. 5 is a first side view of the power source housing element of FIG. 1;

FIG. 6 is a second side view of the power source housing element of FIG. 1;

FIG. 7 is a top view of the power source housing element of FIG. 1;

FIG. 8 is a bottom view of the power source housing element of FIG. 1; and,

FIG. 9 is a front perspective view of the power source housing element of FIG. 1 in the context of a full power source housing.

In the drawings, the dashed broken lines depict portions of the power source housing element and/or of a power source housing that form no part of the claimed design. Dot-dash broken lines depict a boundary of the claimed design.

(Continued)

(56) **References Cited**

U.S. PATENT DOCUMENTS

D467,257 S * 12/2002 Andersson D15/144
D520,038 S * 5/2006 Ljungfeldt D15/144.1

(Continued)

FOREIGN PATENT DOCUMENTS

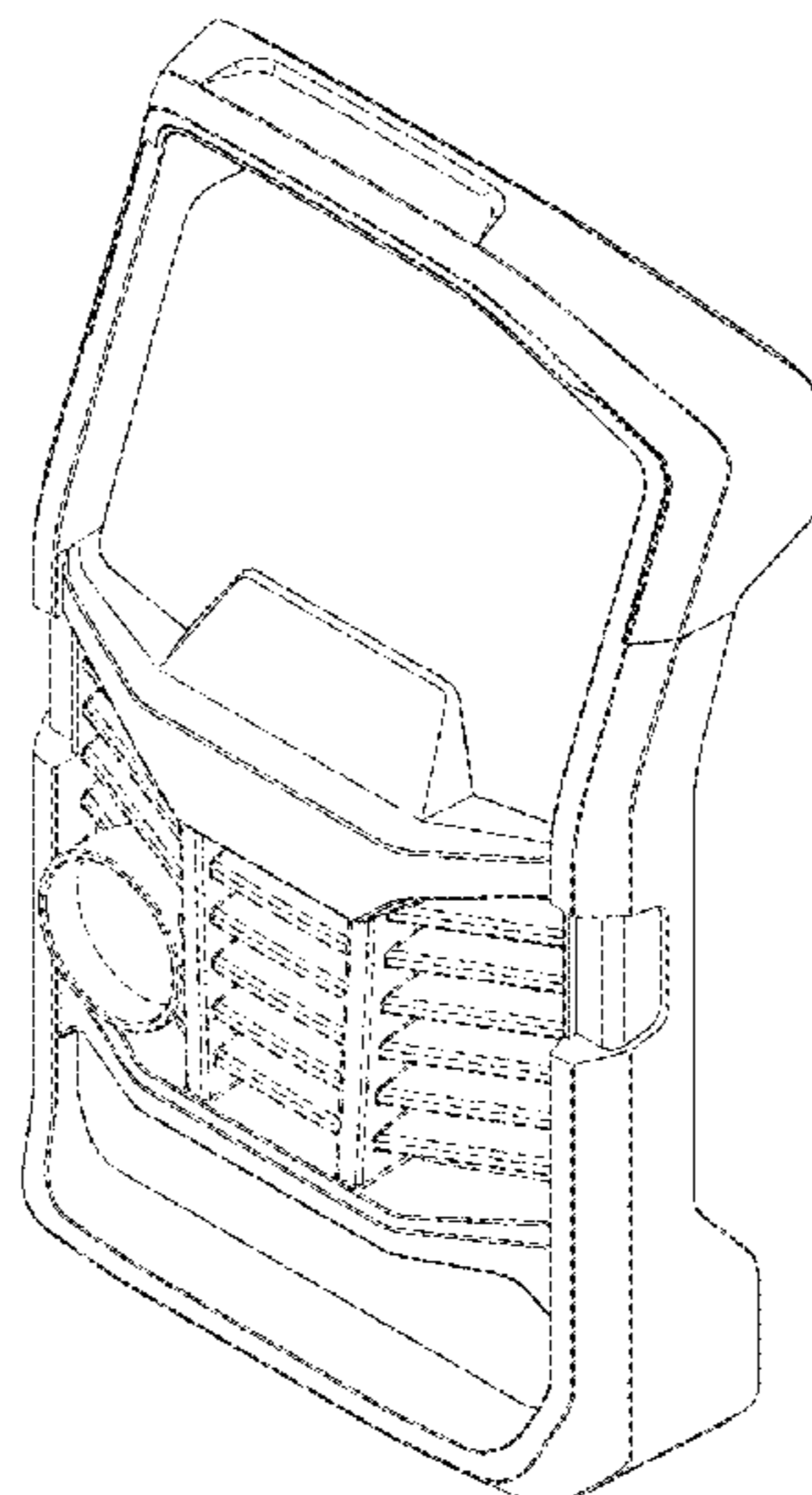
BR DI7000823-0001 * 3/2010
CN 304717434 * 7/2018

(Continued)

OTHER PUBLICATIONS

Renegade Battery Powered Welder, Posted Date Feb. 16, 2024
[Online] [Retrieved Jun. 28, 2024] Retrieved From Internet, <https://>

1 Claim, 5 Drawing Sheets



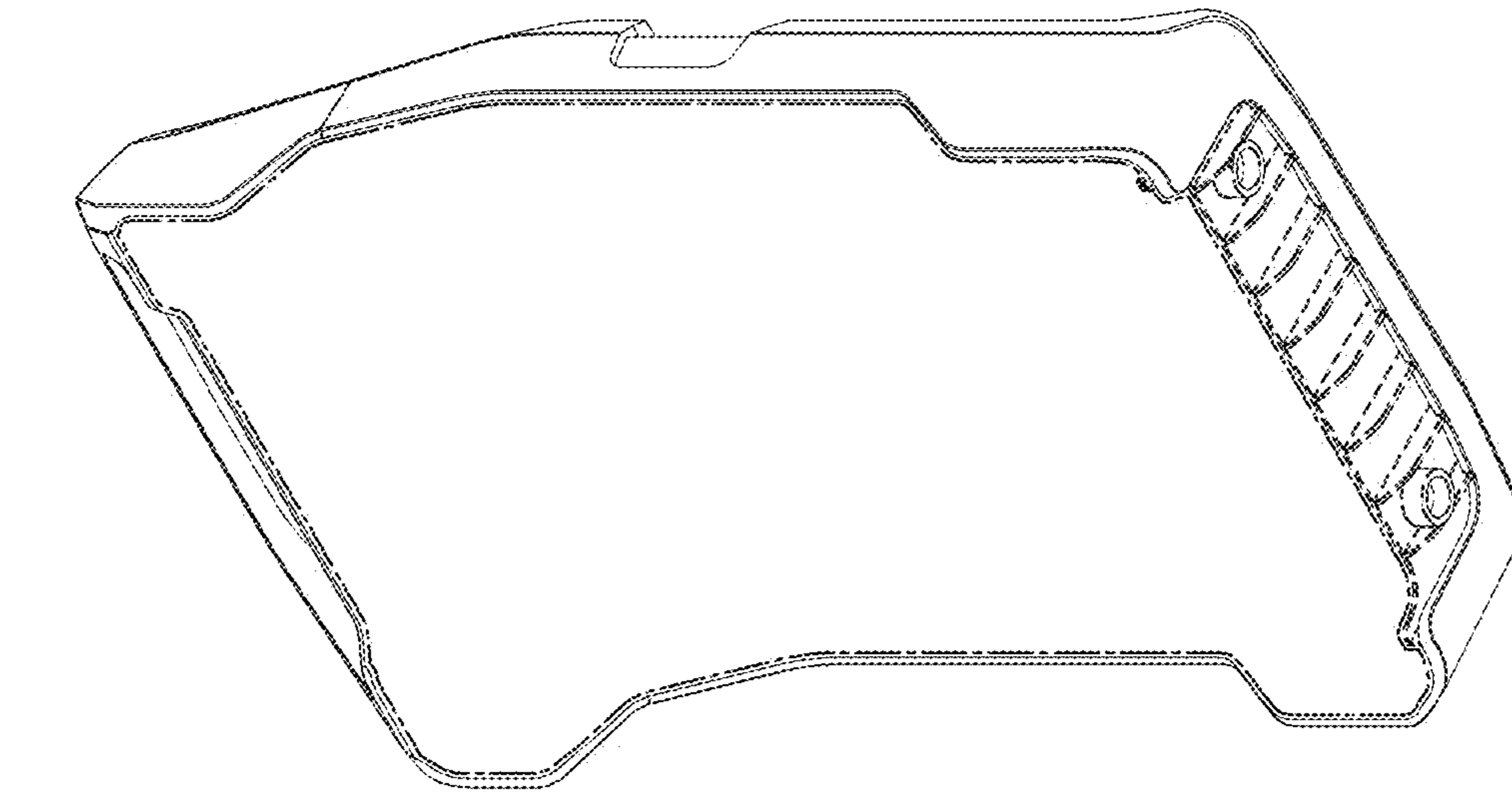


FIG.2

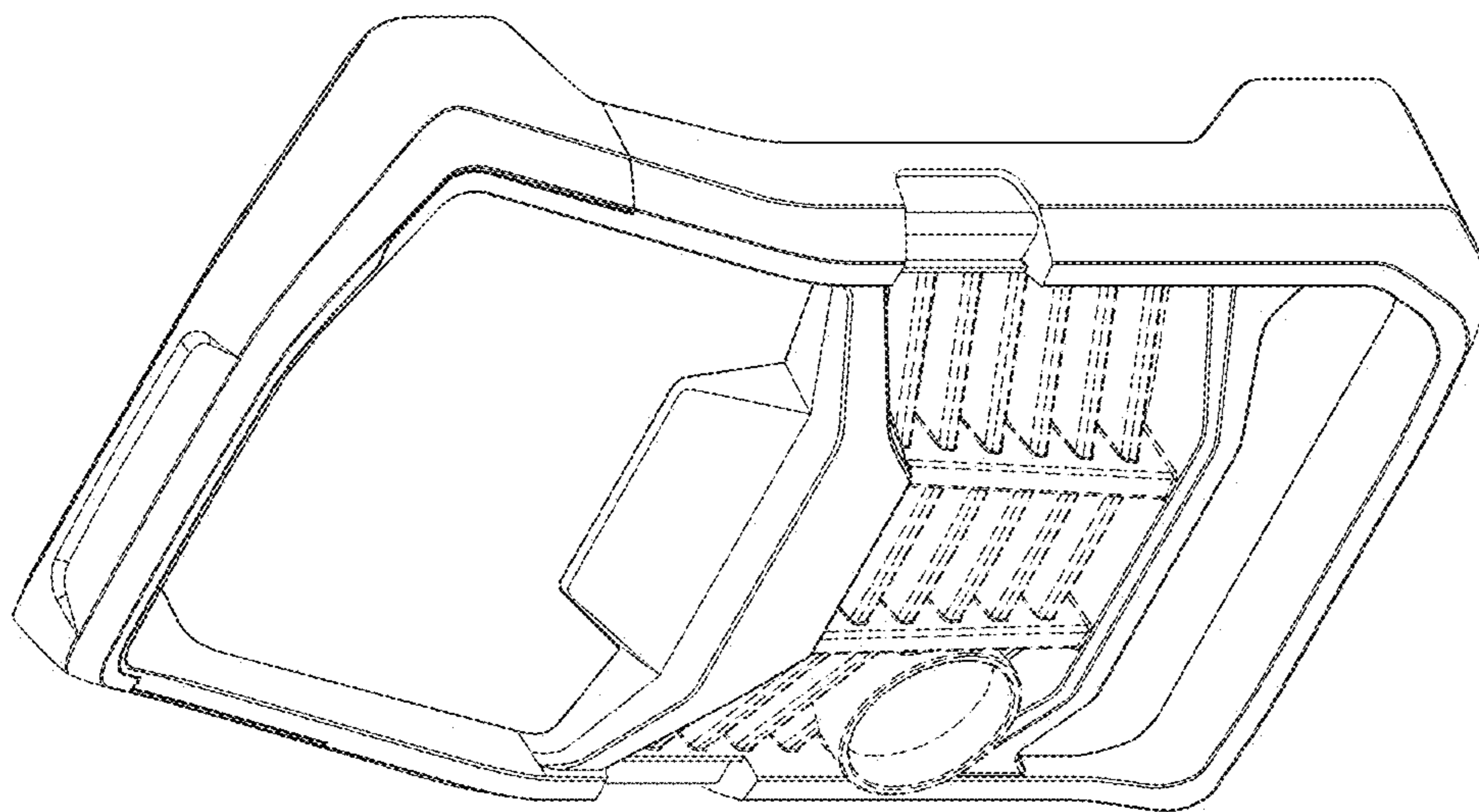


FIG.1



FIG. 4

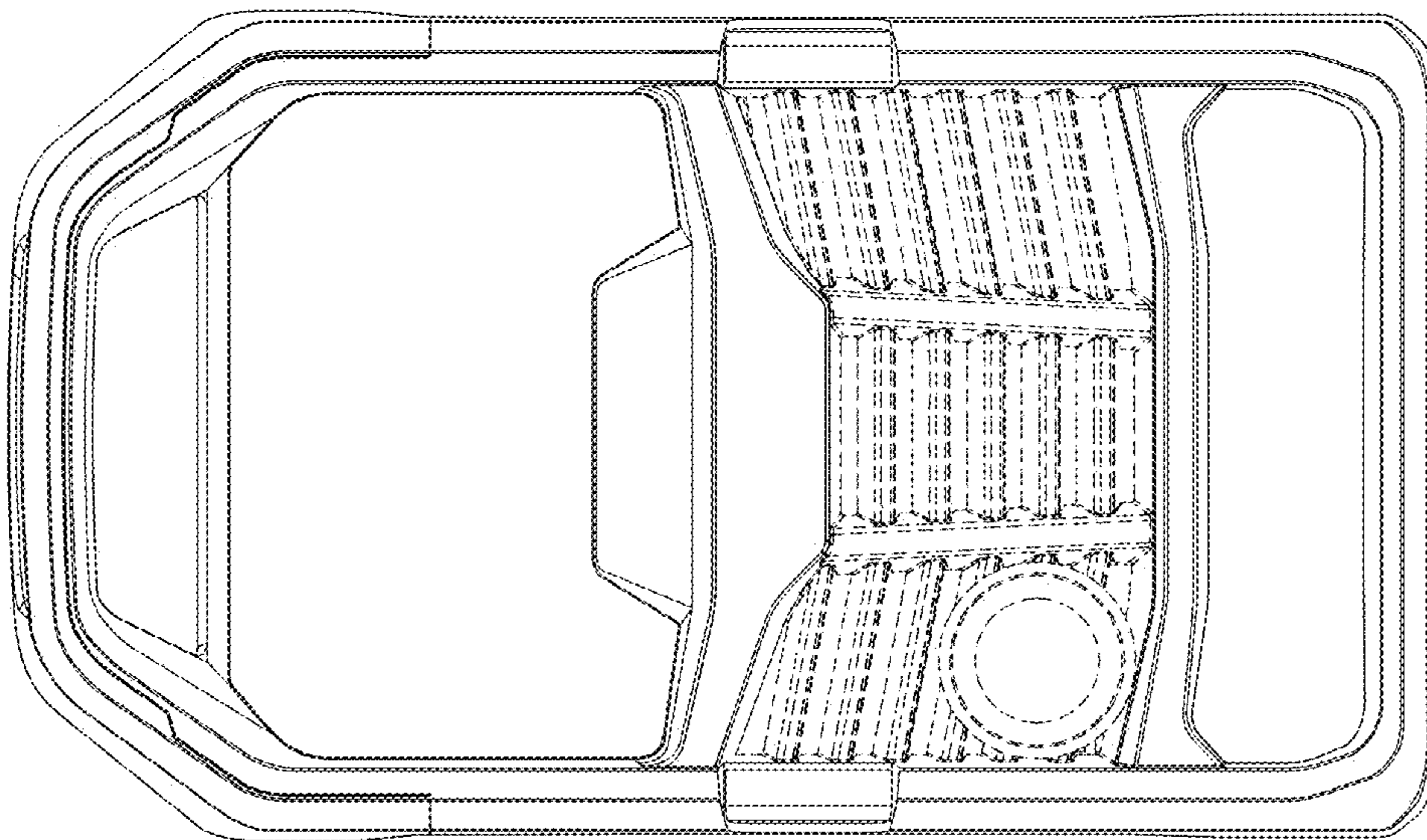


FIG. 3

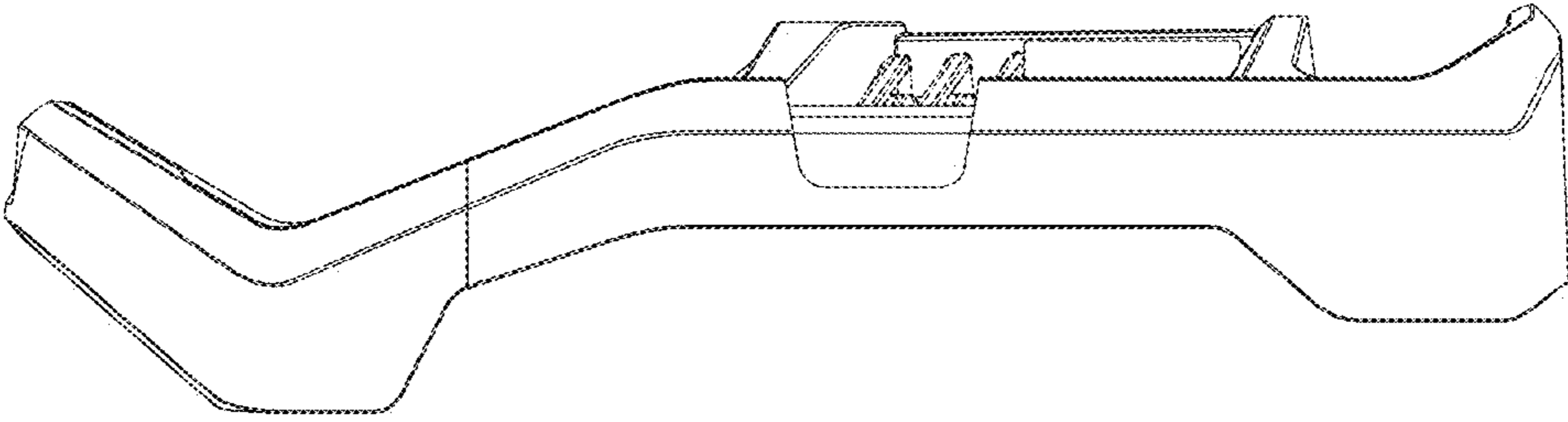


FIG. 6

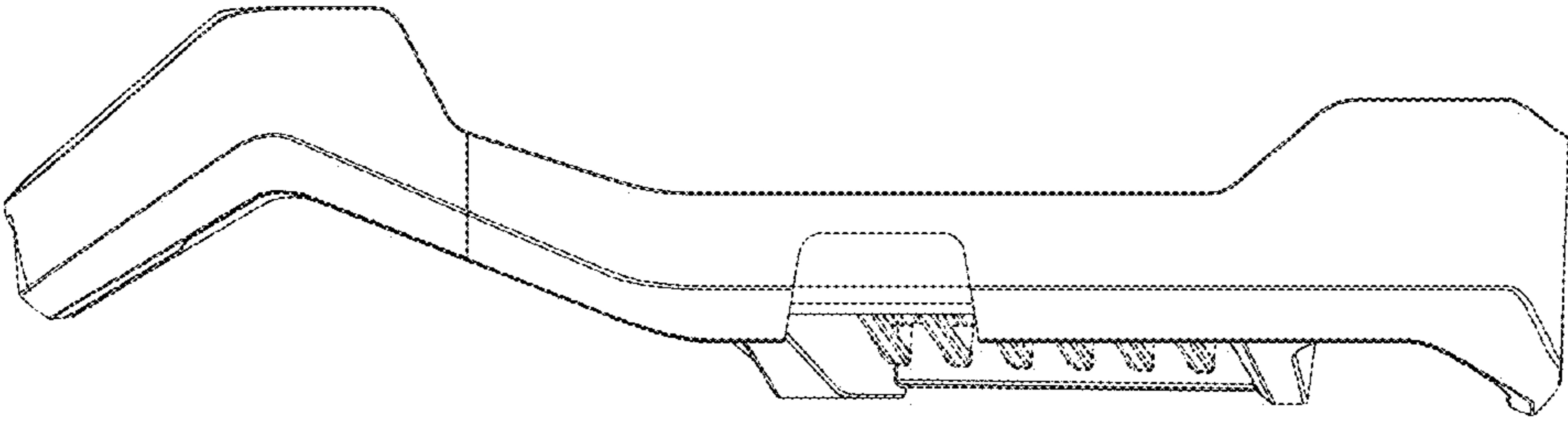


FIG. 5

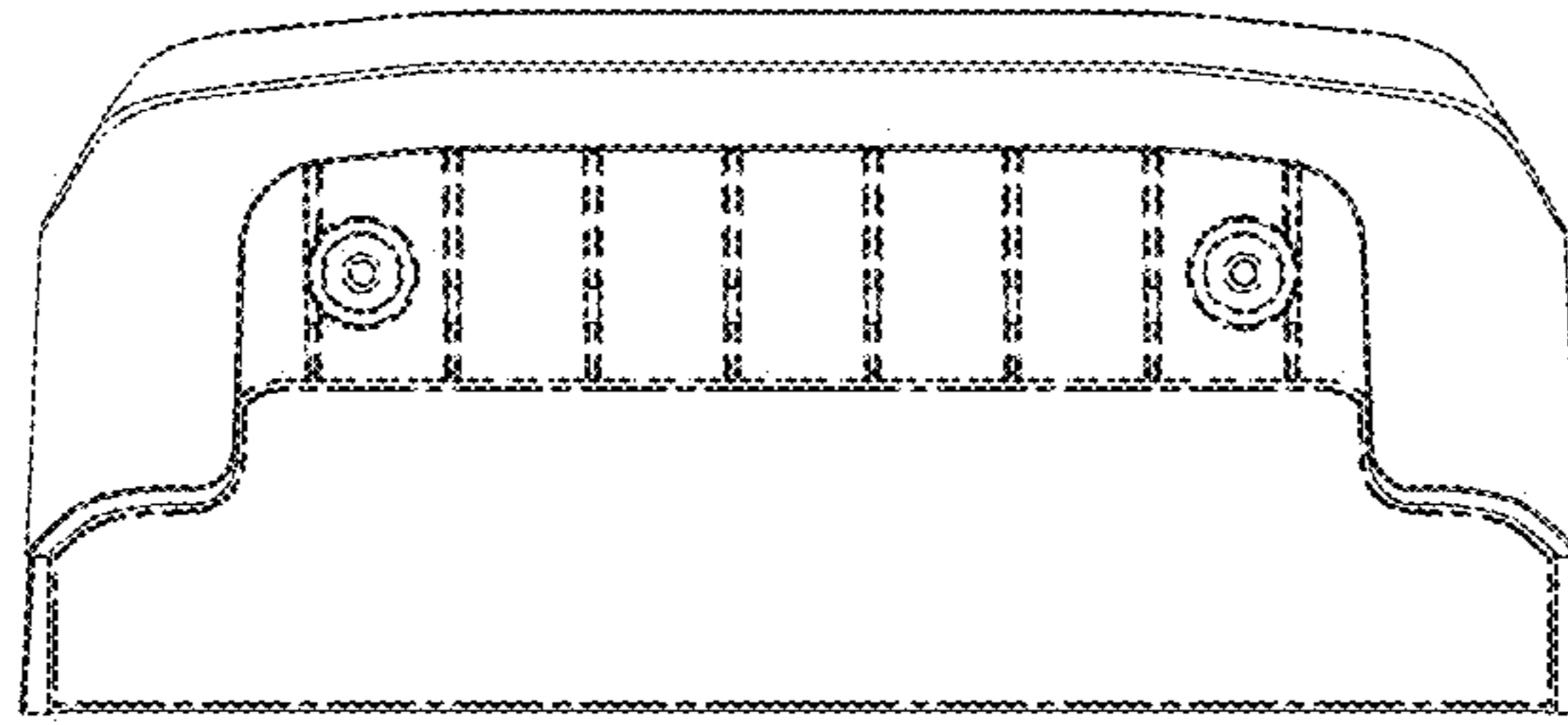


FIG. 8

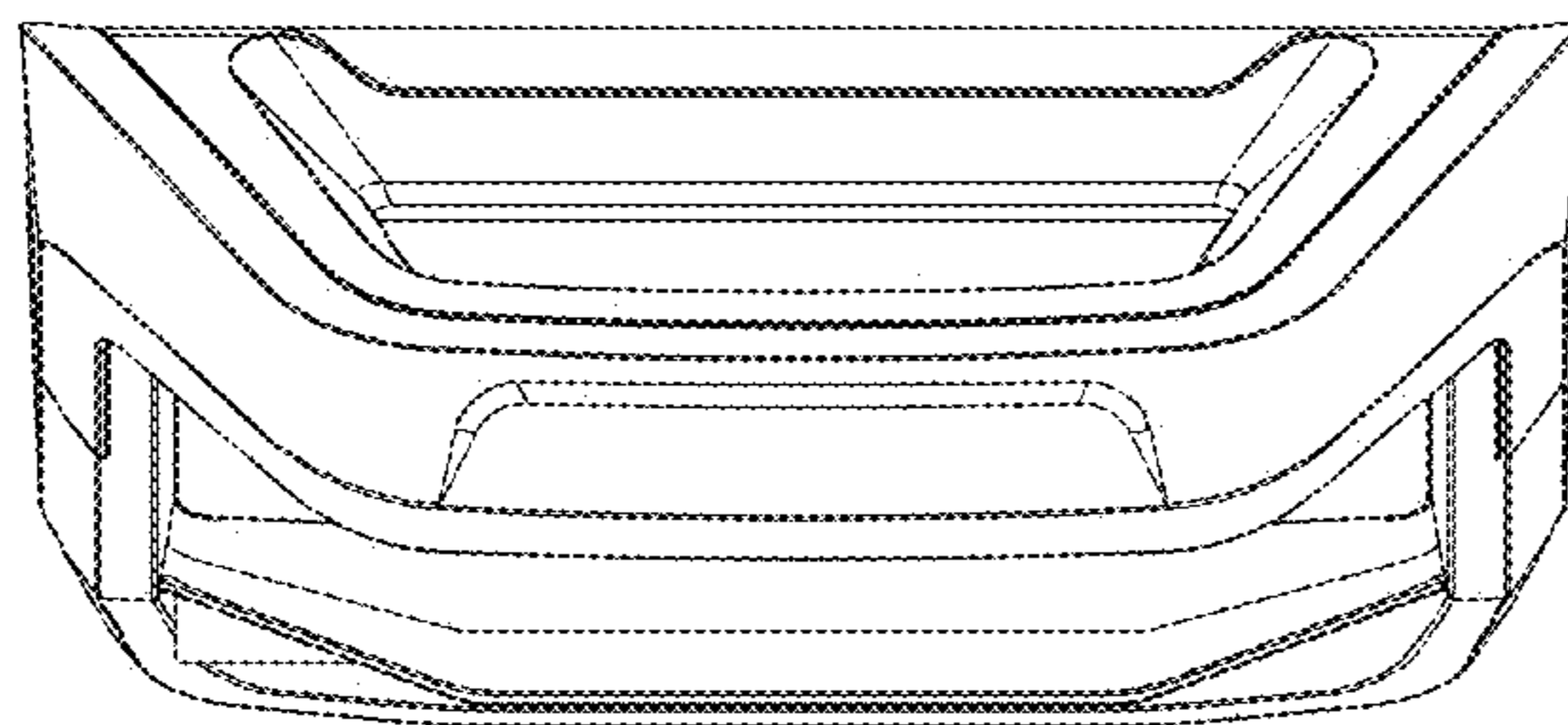


FIG. 7

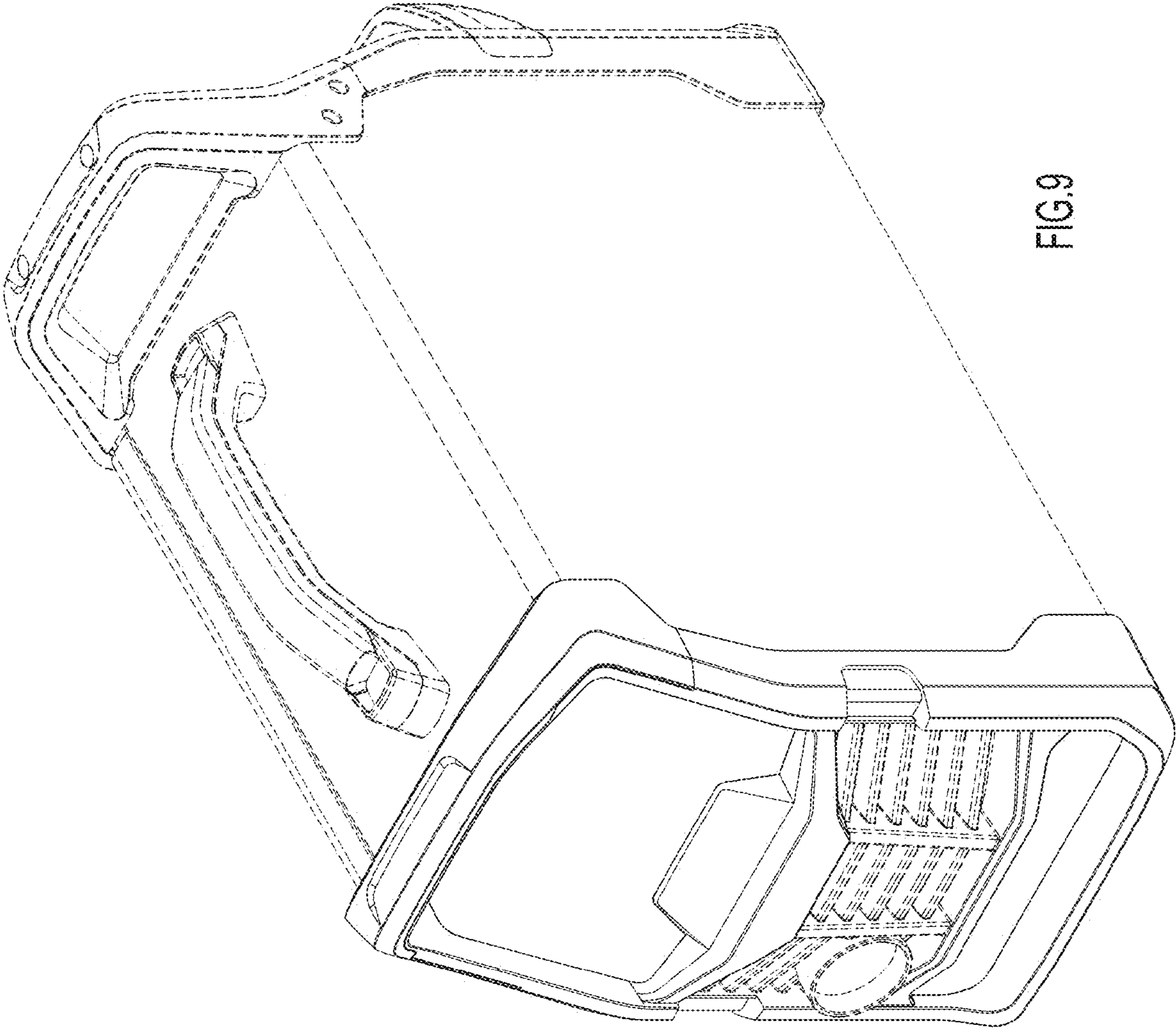


FIG. 9