



US0D1074630S

(12) **United States Design Patent** (10) **Patent No.:** **US D1,074,630 S**
Kim et al. (45) **Date of Patent:** **** May 13, 2025**

(54) **TELEVISION RECEIVER**

(71) Applicant: **LG ELECTRONICS INC.**, Seoul (KR)
(72) Inventors: **Hyoungwon Kim**, Seoul (KR); **Yooseok Kim**, Seoul (KR); **Sangik Lee**, Seoul (KR)
(73) Assignee: **LG ELECTRONICS INC.**, Seoul (KR)
(**) Term: **15 Years**

(21) Appl. No.: **35/520,710**

(22) Filed: **Mar. 21, 2024**

(80) **Hague Agreement Data**

Int. Filing Date: **Mar. 21, 2024**
Int. Reg. No.: **DM/236640**
Int. Reg. Date: **Mar. 21, 2024**
Int. Reg. Pub. Date: **May 3, 2024**

(30) **Foreign Application Priority Data**

Nov. 24, 2023 (KR) 30-2023-0047203

(51) **LOC (15) Cl.** **14-03**

(52) **U.S. Cl.**
USPC **D14/126**

(58) **Field of Classification Search**
USPC D14/125, 126, 217, 239, 336, 371, 374, D14/448, 451; D20/10, 18, 19, 42
(Continued)

(56) **References Cited**

U.S. PATENT DOCUMENTS

D342,521 S * 12/1993 Sugihara D14/204
D757,669 S * 5/2016 Bouroullec D14/126
(Continued)

OTHER PUBLICATIONS

Panasonic Transparent OLED TV, Sep. 6, 2019, Tom's Guide, site visited Jan. 6, 2024: <https://www.tomsguide.com/news/panasonics-stunning-transparent-oled-tv-looks-like-a-piece-of-art> (Year: 2019).*
(Continued)

Primary Examiner — Leanne Was-Englehart
Assistant Examiner — Alison Davis

(74) *Attorney, Agent, or Firm* — Birch, Stewart, Kolasch & Birch, LLP

(57) **CLAIM**

The ornamental design for a television receiver as shown and described.

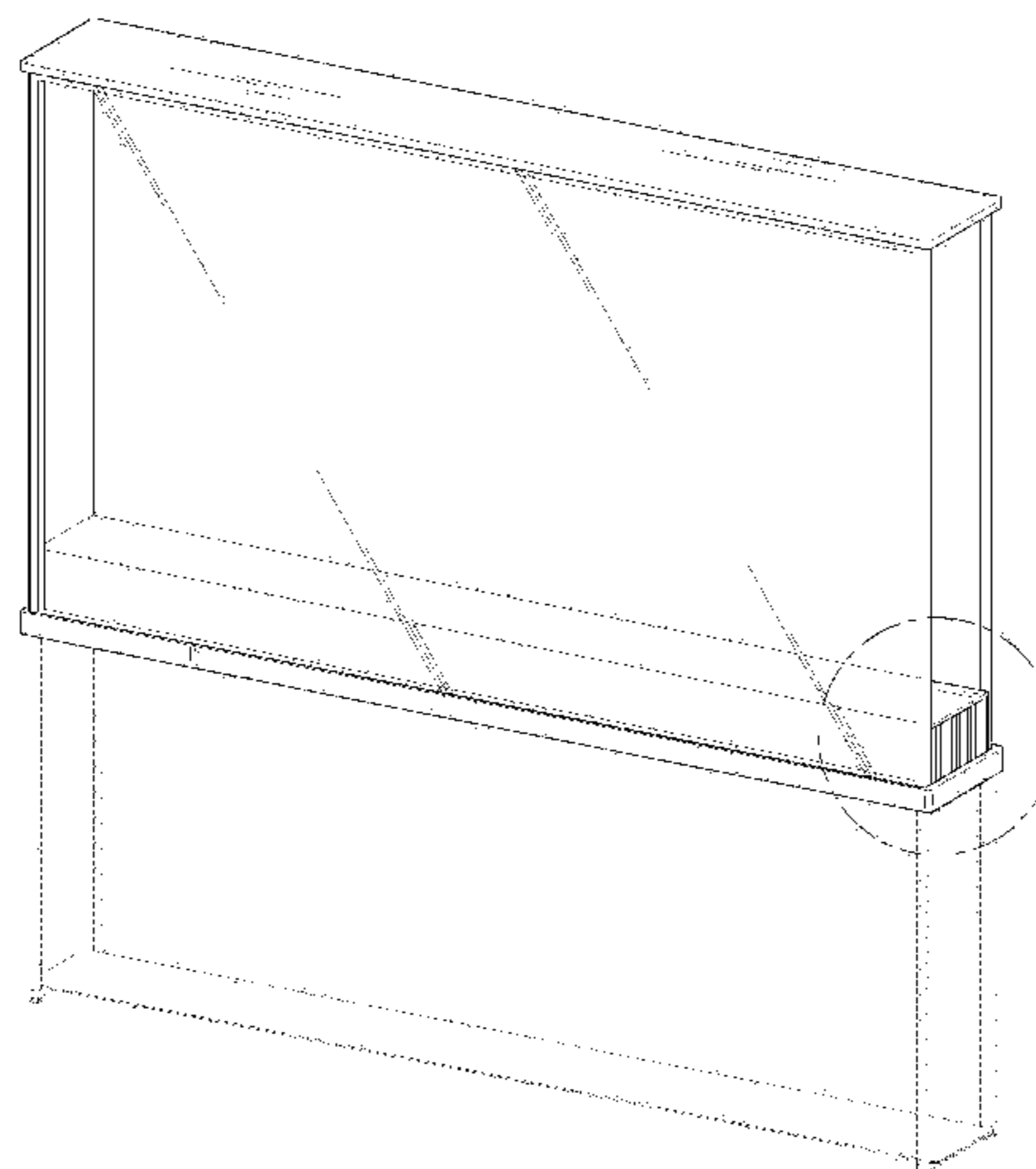
DESCRIPTION

The patent or application file contains at least one drawing executed in color. Copies of this patent or patent application publication with color drawing(s) will be provided by the Office upon request and payment of the necessary fee.

- 1. Television receiver
- 1.1 : Front perspective view
- 1.2 : Back perspective view
- 1.3 : Front
- 1.4 : Back
- 1.5 : Left
- 1.6 : Top
- 1.7 : Bottom
- 1.8 : Enlarged
- 1.9 : Reference view
- 1.10 : Reference view
- 1.11 : Reference view
- 1.12 : Reference view

The characteristic features of the design lie in the shape; reproduction 1.8 is an enlarged view of the encircled portion in reproduction 1.1; the broken lines shown in reproductions 1.1 to 1.8 depict portions of the television receiver and form no part of the claimed design; the dot-dash lines defining the boundary of the enlargement area form no part of the claimed design; reproductions 1.9 to 1.12 show the states of use wherein all other broken lines and colors depict environment and form no part of the claimed design; the shading

(Continued)



lines are used to show the surface of the claimed design and do not represent its surface ornamentation; the diagonal shading lines are used to show the transparent screen and thin lines are drawn therethrough.

**1 Claim, 12 Drawing Sheets
(1 of 12 Drawing Sheet(s) Filed in Color)**

(58) Field of Classification Search

CPC G06F 1/1601; G06F 3/1446; G06F 2200/1612; H04N 5/64; G09F 9/3026
See application file for complete search history.

(56) References Cited

U.S. PATENT DOCUMENTS

D779,446 S * 2/2017 Bouroullec D14/126
D824,868 S * 8/2018 Chong D14/126
D831,599 S * 10/2018 Chong G06F 1/1601
D14/126

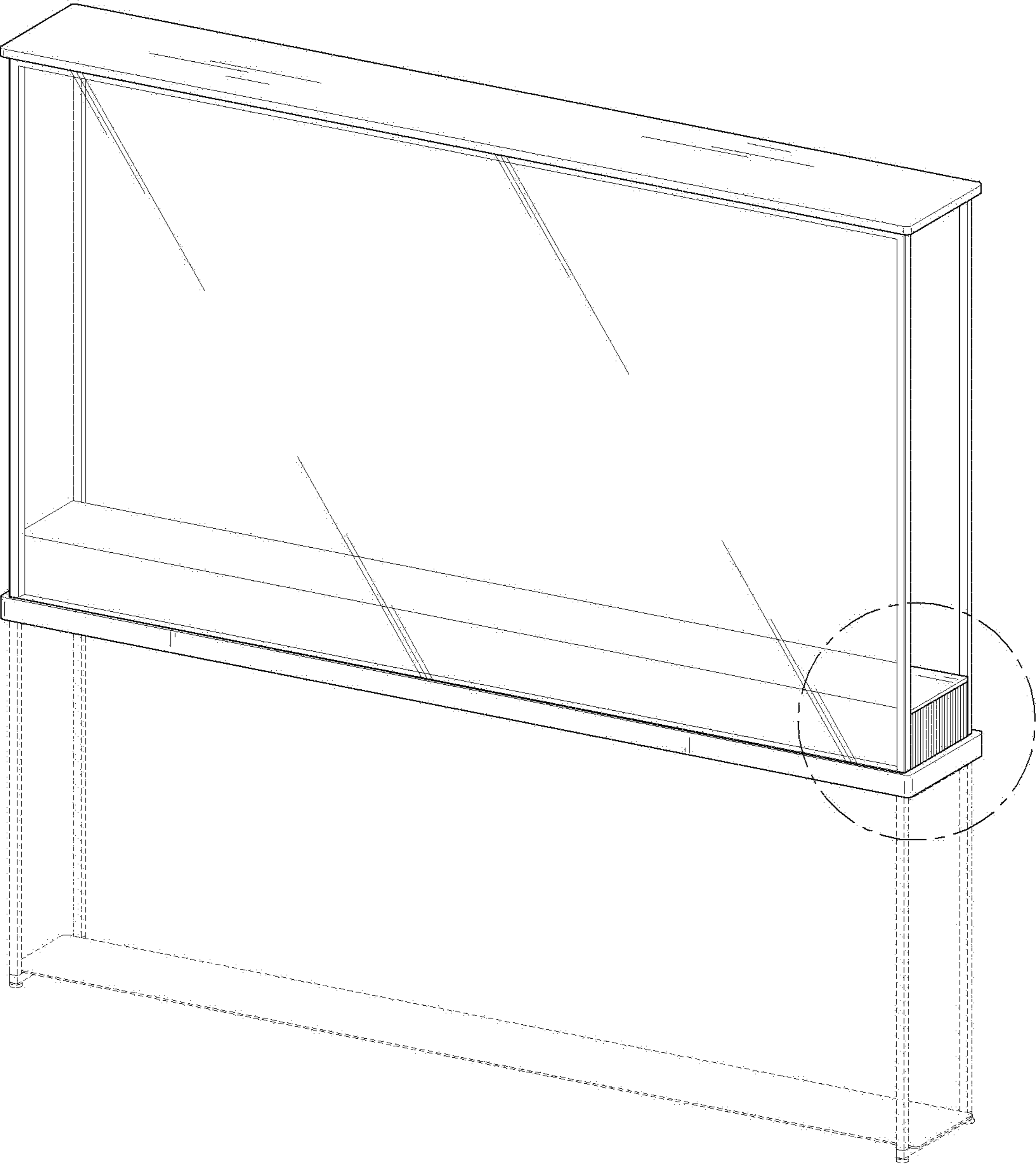
D857,015 S * 8/2019 O'Driscoll D14/371
D949,971 S * 4/2022 Lee D14/126
D954,009 S * 6/2022 Kim D14/126
D1,016,767 S * 3/2024 Jeon D14/126
D1,016,768 S * 3/2024 Jeon D14/126
D1,023,989 S * 4/2024 Kim D14/126
D1,029,776 S * 6/2024 Kim D14/126
D1,038,052 S * 8/2024 Jeon D14/126
2021/0311533 A1* 10/2021 Yamashita G06F 1/1601
2022/0128188 A1* 4/2022 Bai F16M 11/046
2024/0179861 A1* 5/2024 Kim G06F 1/1601

OTHER PUBLICATIONS

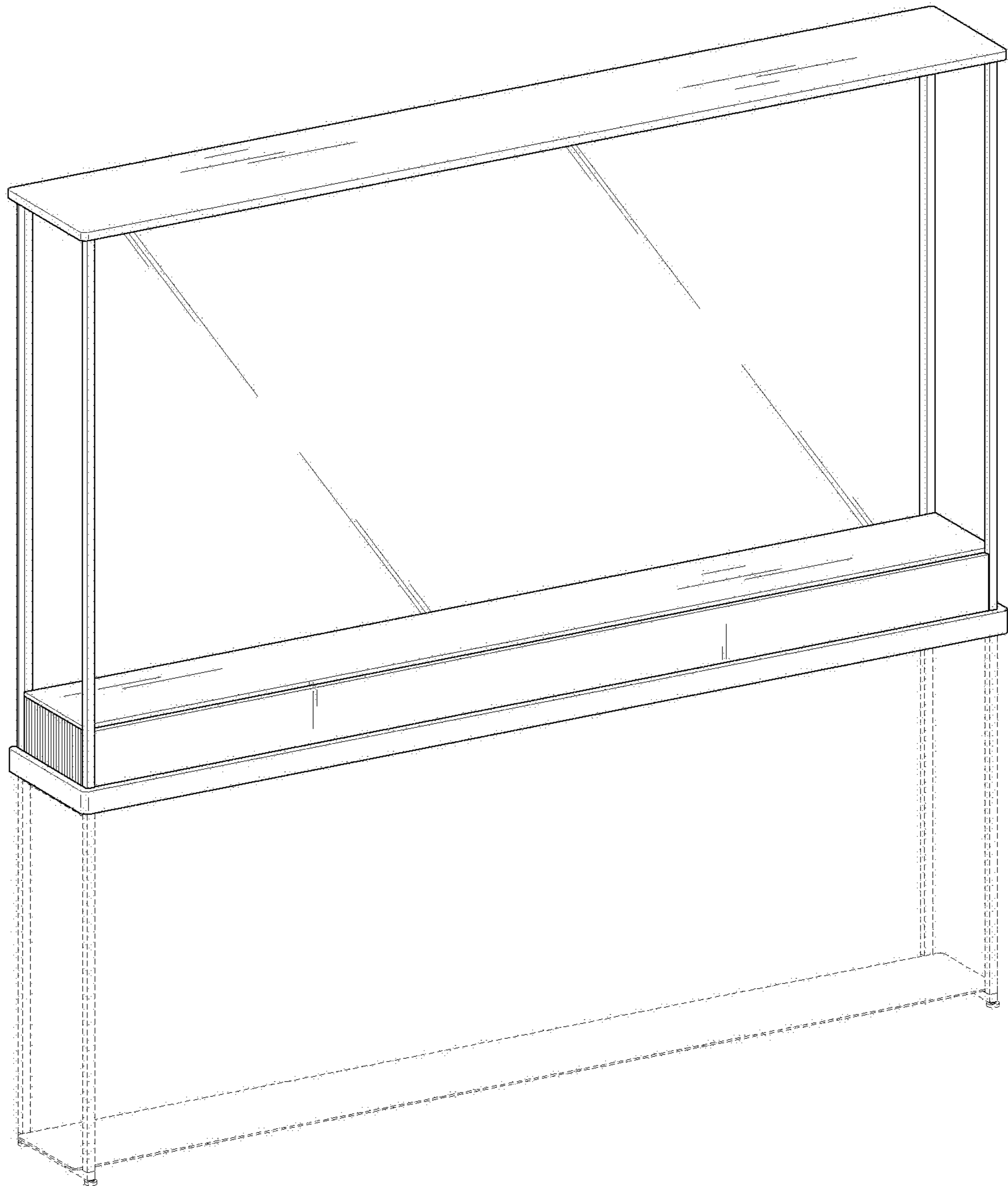
LG OLED TV, Nov. 8, 2022, Yanko Design, site visited Jan. 6, 2024: <https://www.yankodesign.com/2022/11/08/lgs-display-showcase-oled-tv-concept-comes-with-a-bold-skeletal-frame-and-No-bezels/> (Year: 2022).*
LG Signature OLED T Transparent TV, Jan. 8, 2024, BestBuy Blog, site visited Jan. 3, 2025: <https://blog.bestbuy.ca/tv-audio/tv-home-theatre-tv-audio/ces-2024-Ig-signature-oled-t-transparent-tv> (Year: 2024).*

* cited by examiner

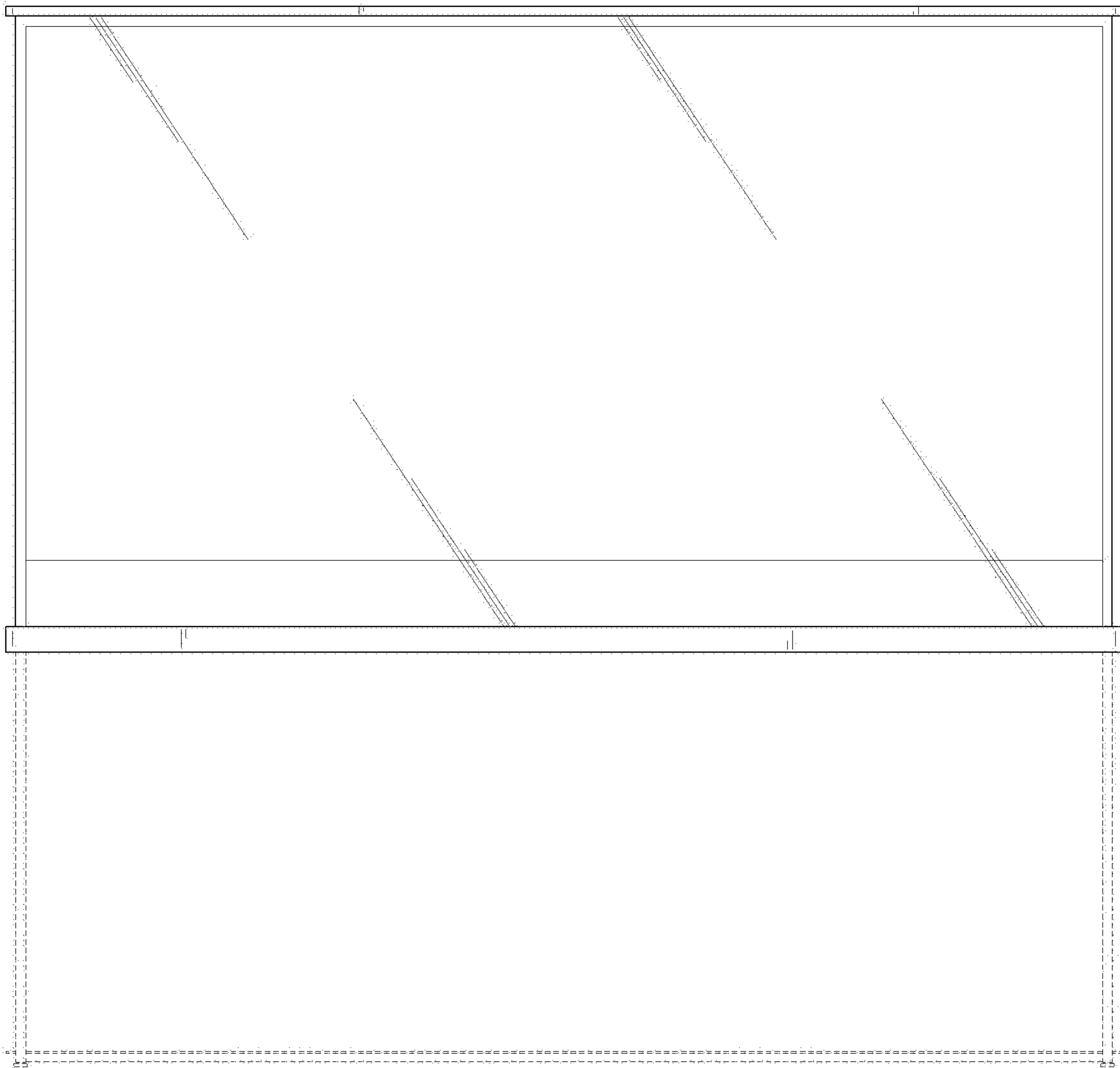
1.1



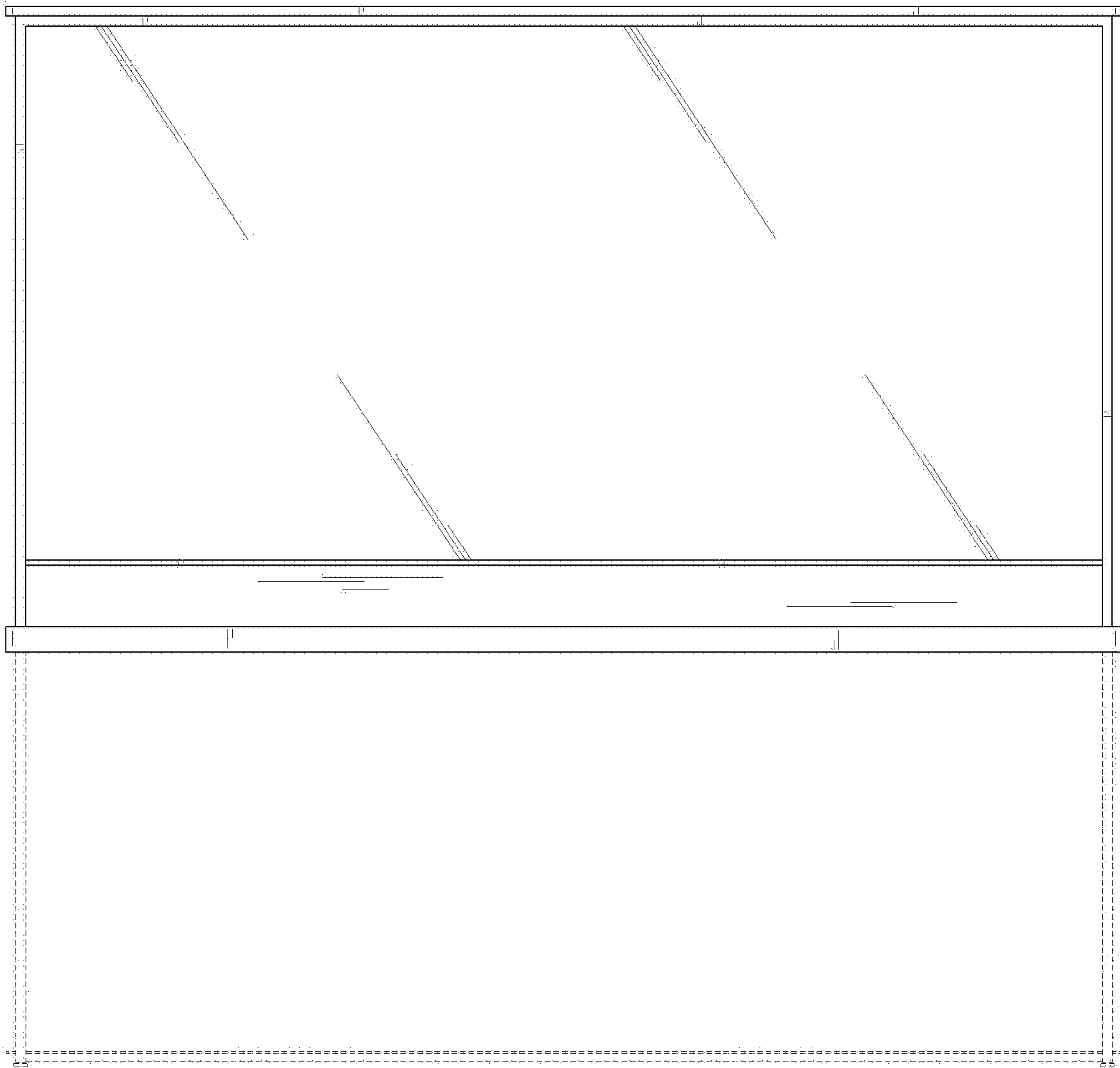
1.2



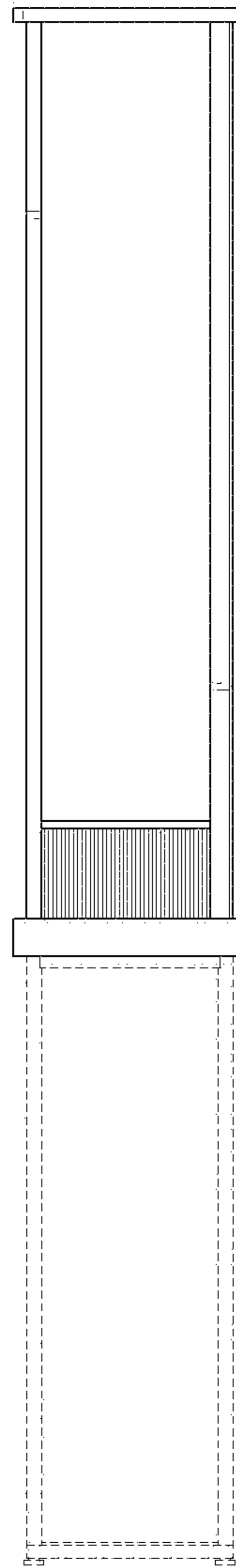
1.3



1.4



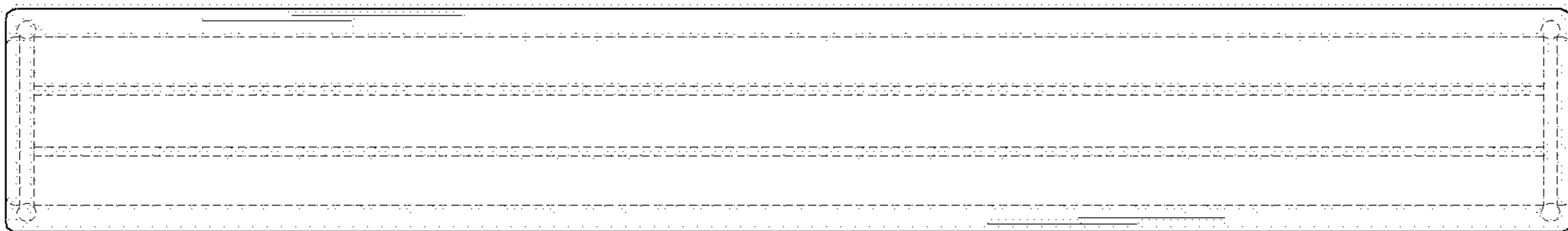
1.5



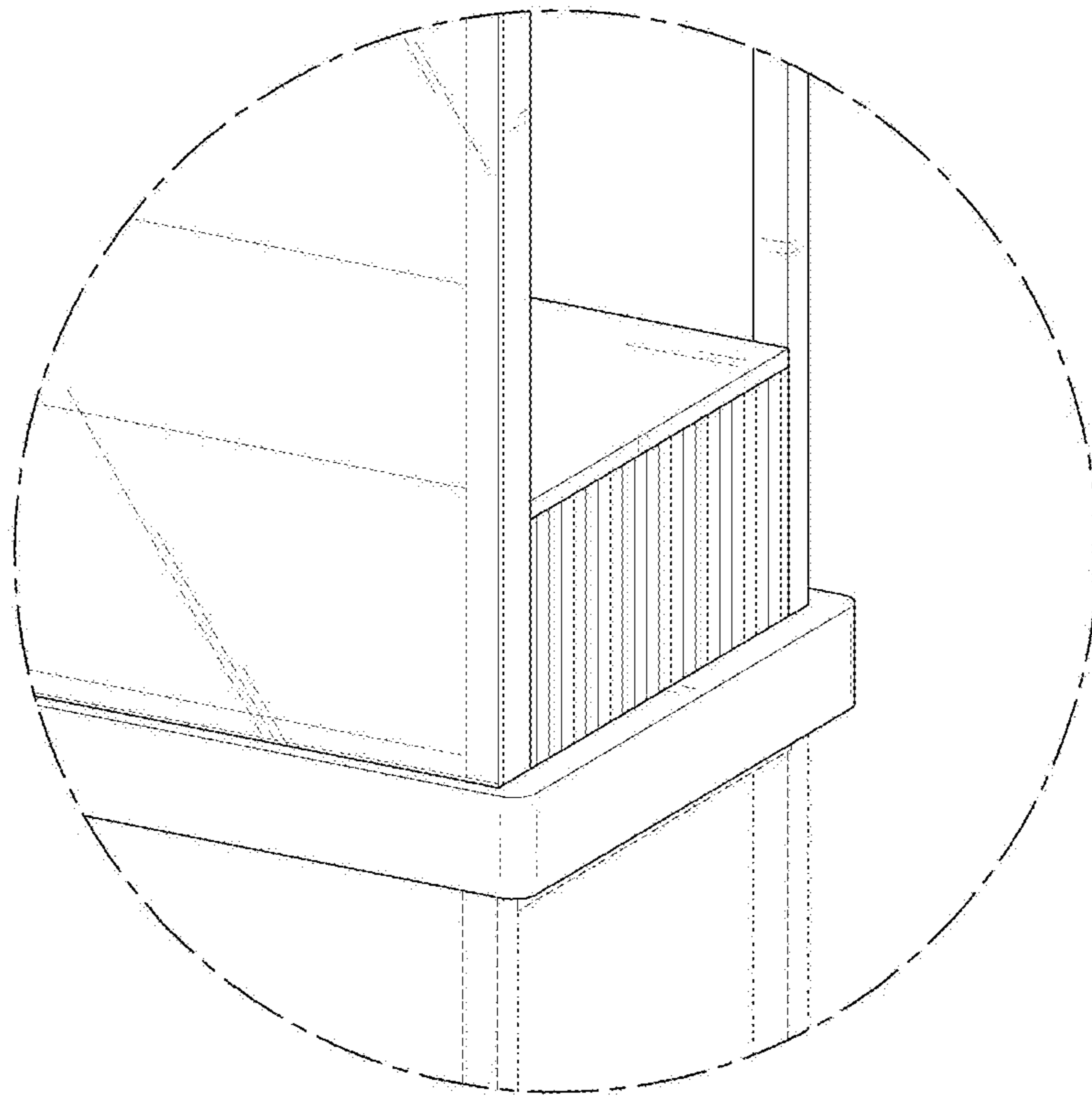
1.6



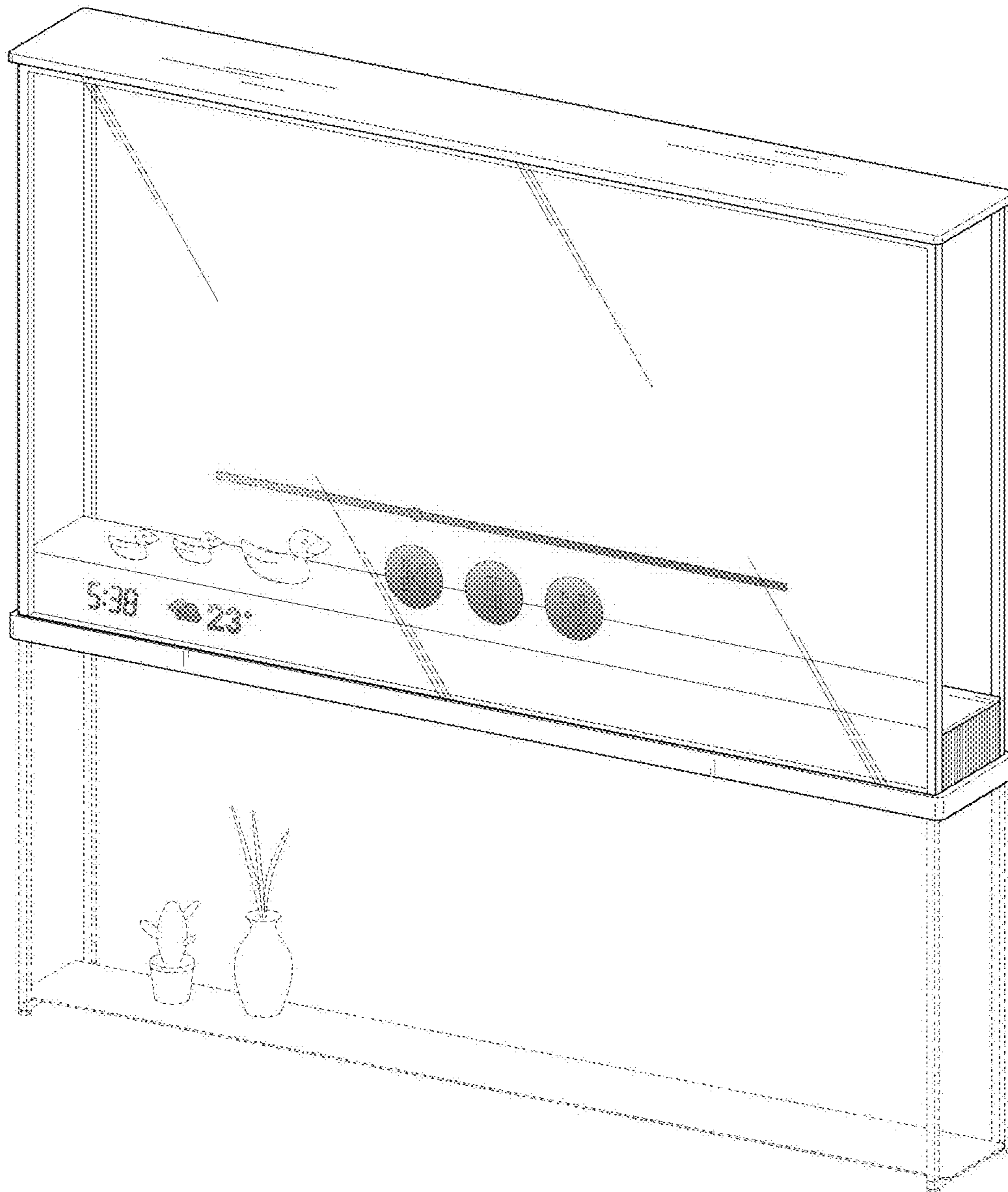
1.7



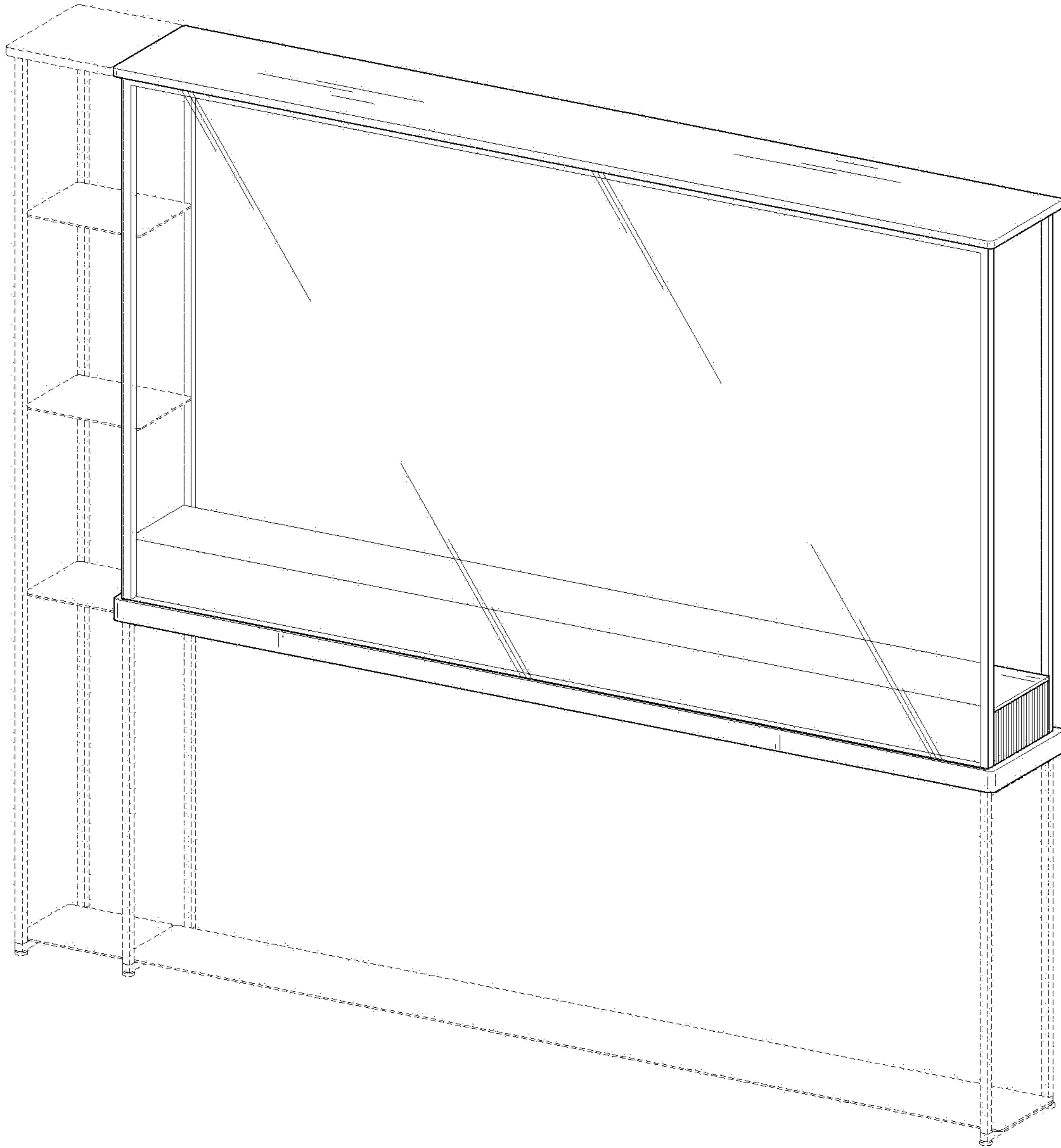
1.8



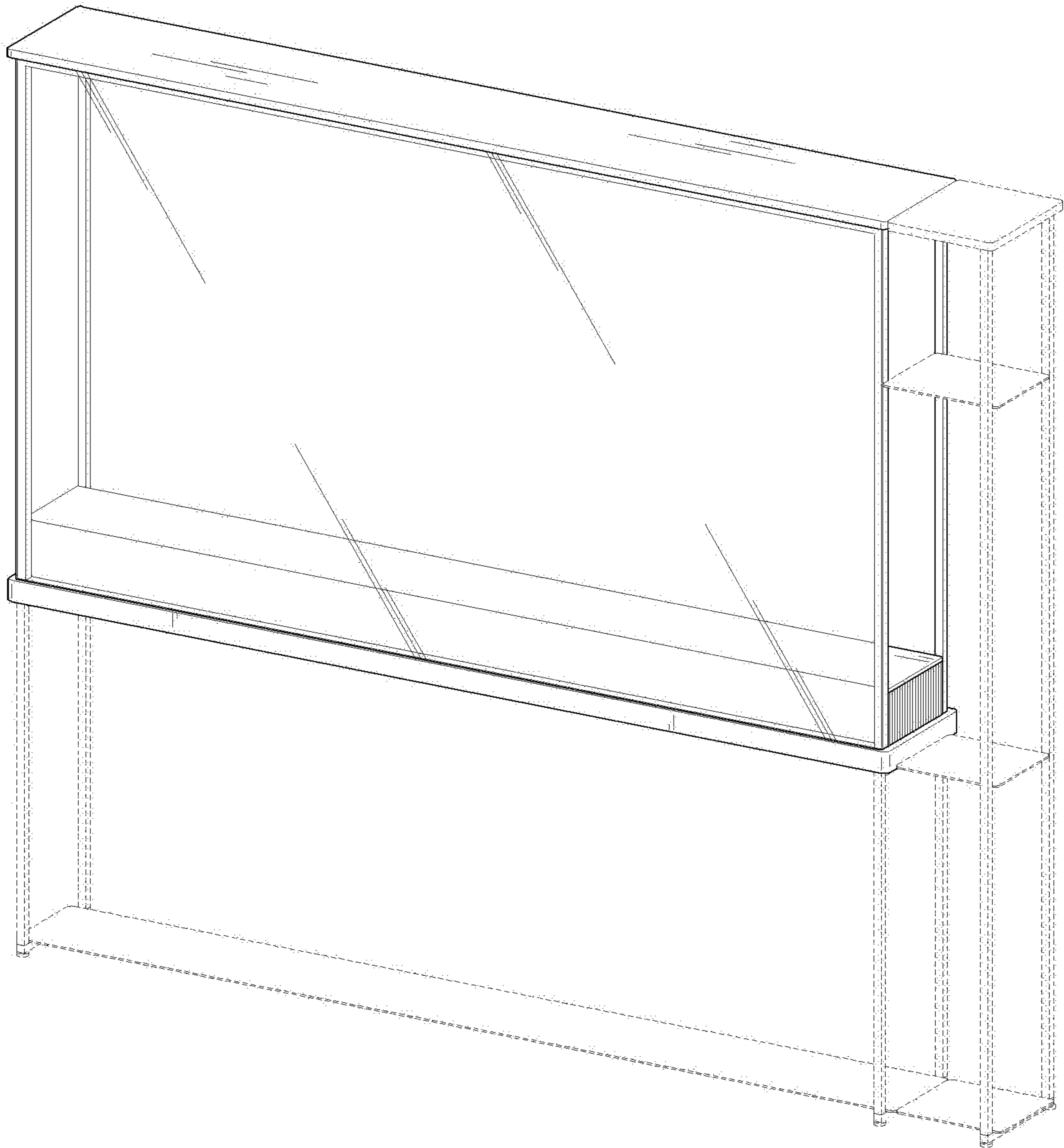
1.9



1.10



1.11



1.12

