



US0D1074445S

(12) **United States Design Patent** (10) **Patent No.:** **US D1,074,445 S**
Hood, II (45) **Date of Patent:** **** May 13, 2025**

(54) **BASKETBALL BOTTLE**

(71) Applicant: **Iondration, LLC**, Rockwall, TX (US)
(72) Inventor: **Antoine Hood, II**, Rockwall, TX (US)
(73) Assignee: **Iondration, LLC**, Rockwall, TX (US)
(**) Term: **15 Years**
(21) Appl. No.: **29/878,056**

(22) Filed: **Jun. 15, 2023**
(51) **LOC (15) Cl.** **09-01**
(52) **U.S. Cl.**
USPC **D9/668**; D9/540

(58) **Field of Classification Search**
USPC D9/600, 601, 668, 516, 540, 543, 548,
D9/549, 551, 553, 572, 575, 563, 564,
D9/612; D7/301, 514, 515, 516, 613,
D7/901; D3/270, 271.1, 271.9
CPC B65D 5/4258; B65D 81/60; B65D 81/365;
B65D 81/366; B65D 81/368; B65D
2203/00; B65D 2203/02
See application file for complete search history.

(56) **References Cited**

U.S. PATENT DOCUMENTS

D427,057 S * 6/2000 Roth D7/901
D526,906 S * 8/2006 Yorn D9/668
D529,816 S * 10/2006 Yorn D9/668
D540,692 S * 4/2007 Yorn D9/668
D762,124 S 7/2016 Giles

FOREIGN PATENT DOCUMENTS

CN 303214441 * 5/2015
GB 6247587 * 12/2022

OTHER PUBLICATIONS

Tommyeys Water Bottle Sports (Color _ Basketball)_Amazon.ca, [date first available: Jun. 7, 2022], [date found online: Aug. 5, 2024], <https://www.amazon.ca/Football-Basketball-Leakproof-Portable-Outdoor/dp/B0B3D8DJYK?th=1> (Year: 2022).*
VTG Pepsi Basketball Water Bottle with Straw White Sports 1990s_eBay, [date first available: 1990's (from description)], [date found online: Aug. 5, 2024], <https://www.amazon.ca/Football-Basketball-Leakproof-Portable-Outdoor/dp/B0B3D8DJYK?th=1> (Year: 1999).*
Springfield Distillery Bourbon In A Basketball Decanter_Passion Spirits, [date first available: not available], [date found online: Aug. 5, 2024], <https://spiribam.passionspirits.com/springfield-distillery-bourbon-basketball> (Year: 2024).*

(Continued)

Primary Examiner — Shawn T Gingrich
Assistant Examiner — Katherine E Morris
(74) *Attorney, Agent, or Firm* — Sheri Higgins; Sheri Higgins Law, PLLC

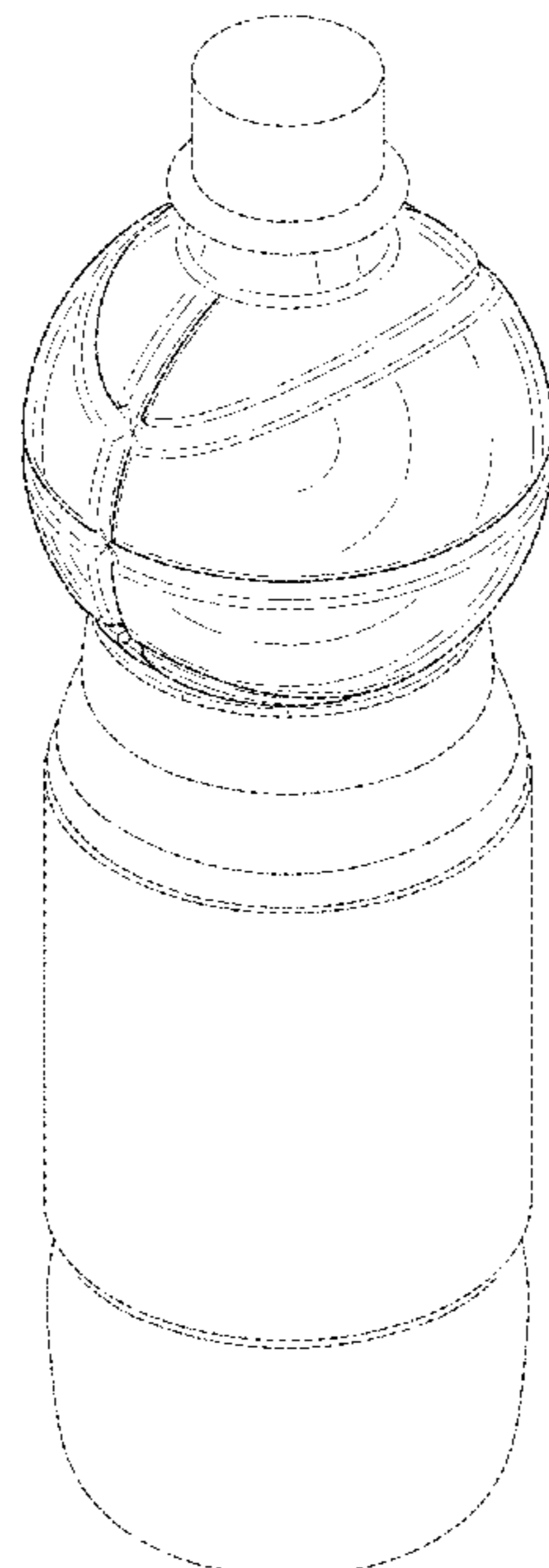
(57) **CLAIM**

The ornamental design for a basketball bottle, as shown and described.

DESCRIPTION

FIG. 1 is a perspective view of a basketball bottle showing my new design.
FIG. 2 is a left, side view thereof, wherein the right, side view is identical to the left, side view.
FIG. 3 is front view thereof, wherein the rear view is identical to the front view.
FIG. 4 is a top view thereof; and,
FIG. 5 is a bottom view thereof.
The broken lines shown in the drawings depict portions of the basketball bottle that form no part of the claimed design.

1 Claim, 4 Drawing Sheets



(56)

References Cited

OTHER PUBLICATIONS

Sunkist (Basketball Design)_Flickr, [date posted: Feb. 6, 2008], [date found online: Aug. 5, 2024], <https://www.flickr.com/photos/23475878@N07/2245588146> (Year: 2008).*

90s Basketball Water Bottle 1994 Coca Cola Basketball Shaped_ Etsy, [date first available: 1994 (from the label on the bottle)], [date found online: Aug. 5, 2024], <https://www.etsy.com/listing/1335861390/90s-basketball-world-championship-water> (Year: 1994).*

* cited by examiner

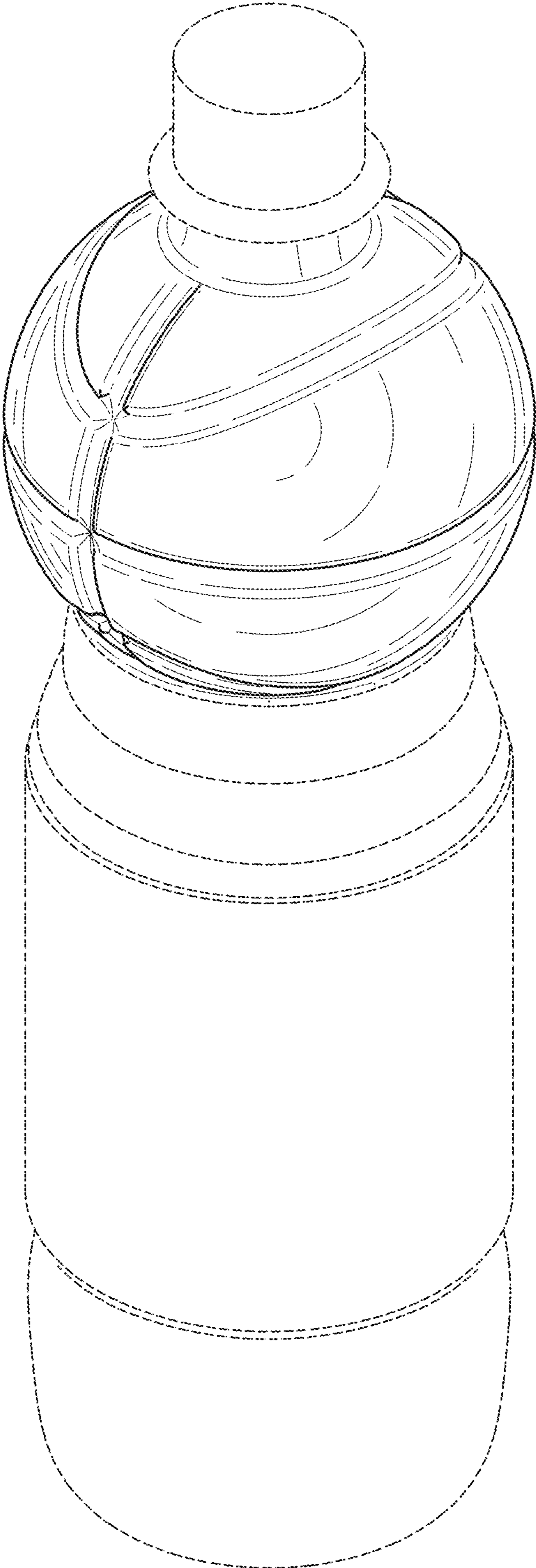


FIG. 1

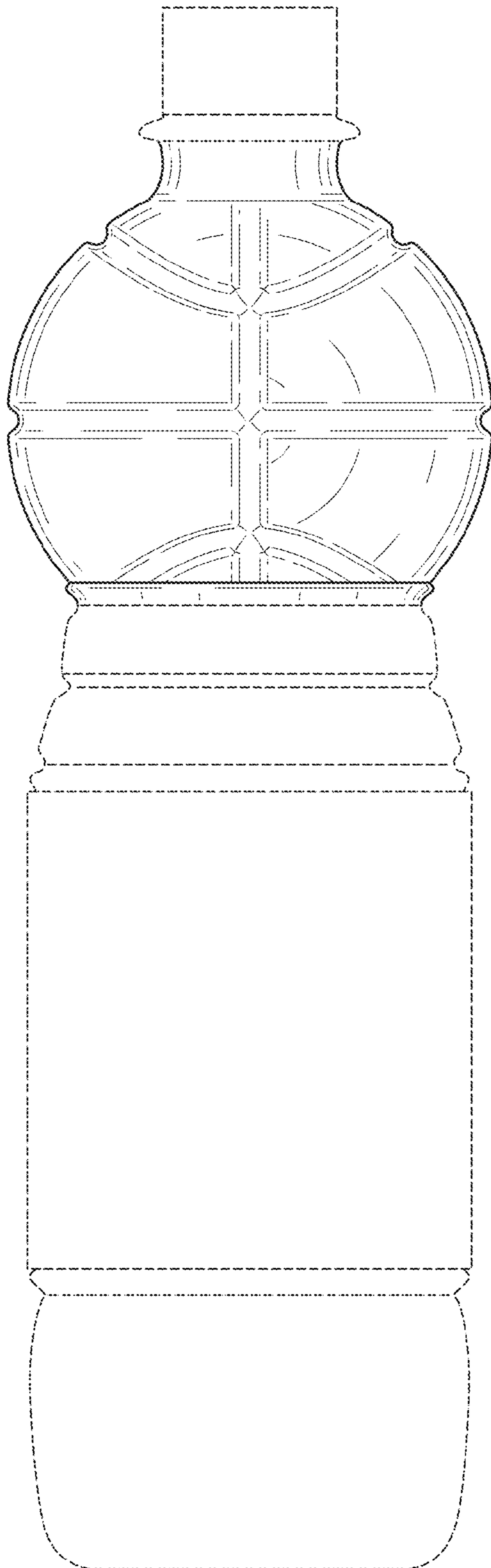


FIG. 2

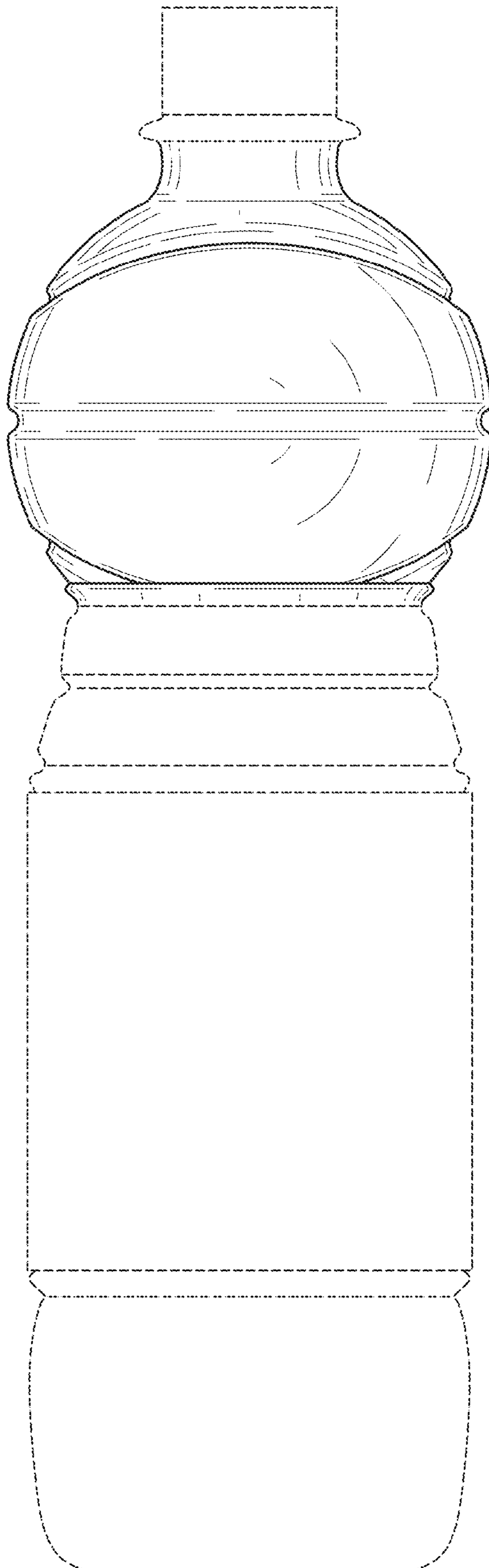


FIG. 3

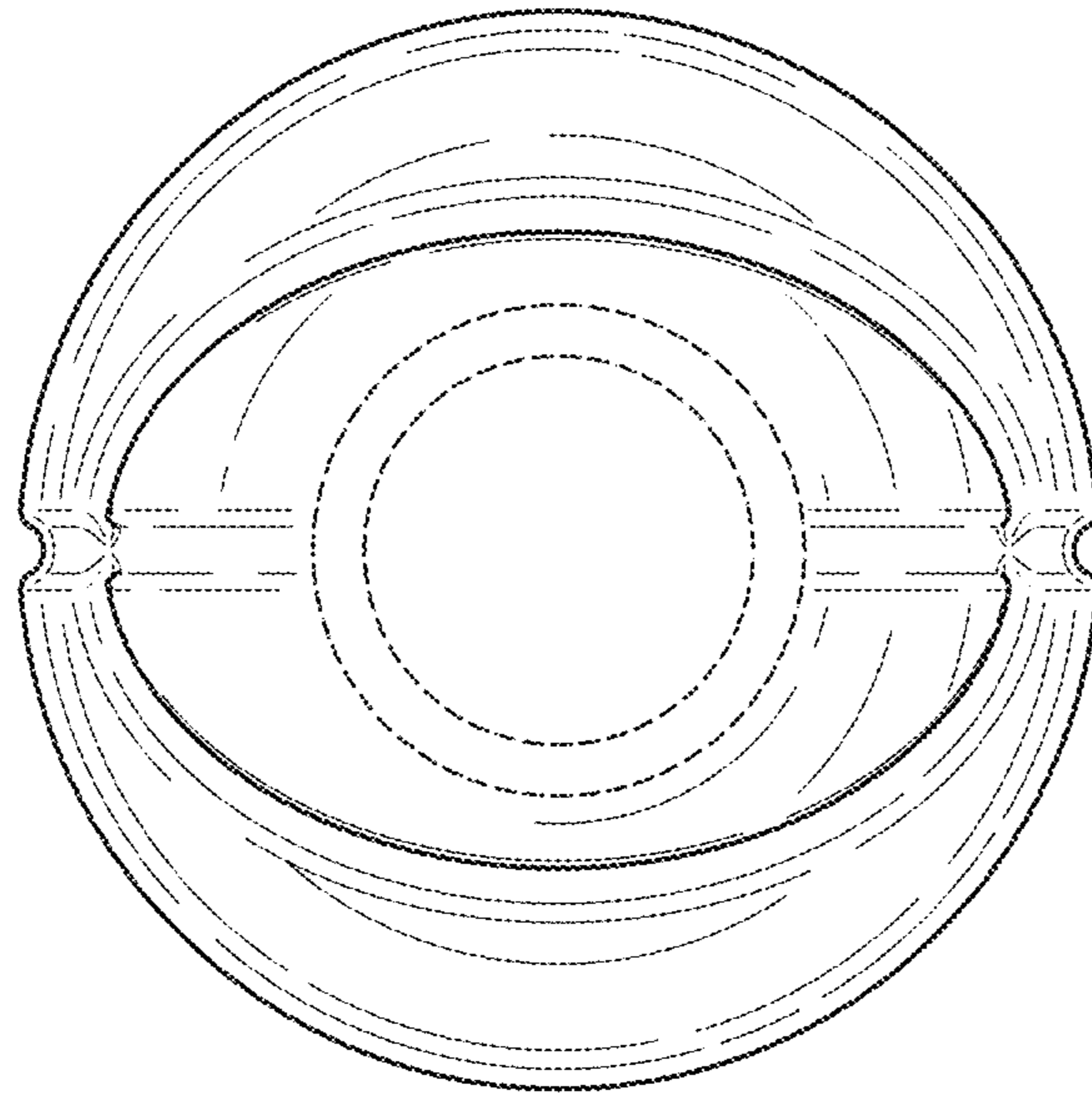


FIG. 4

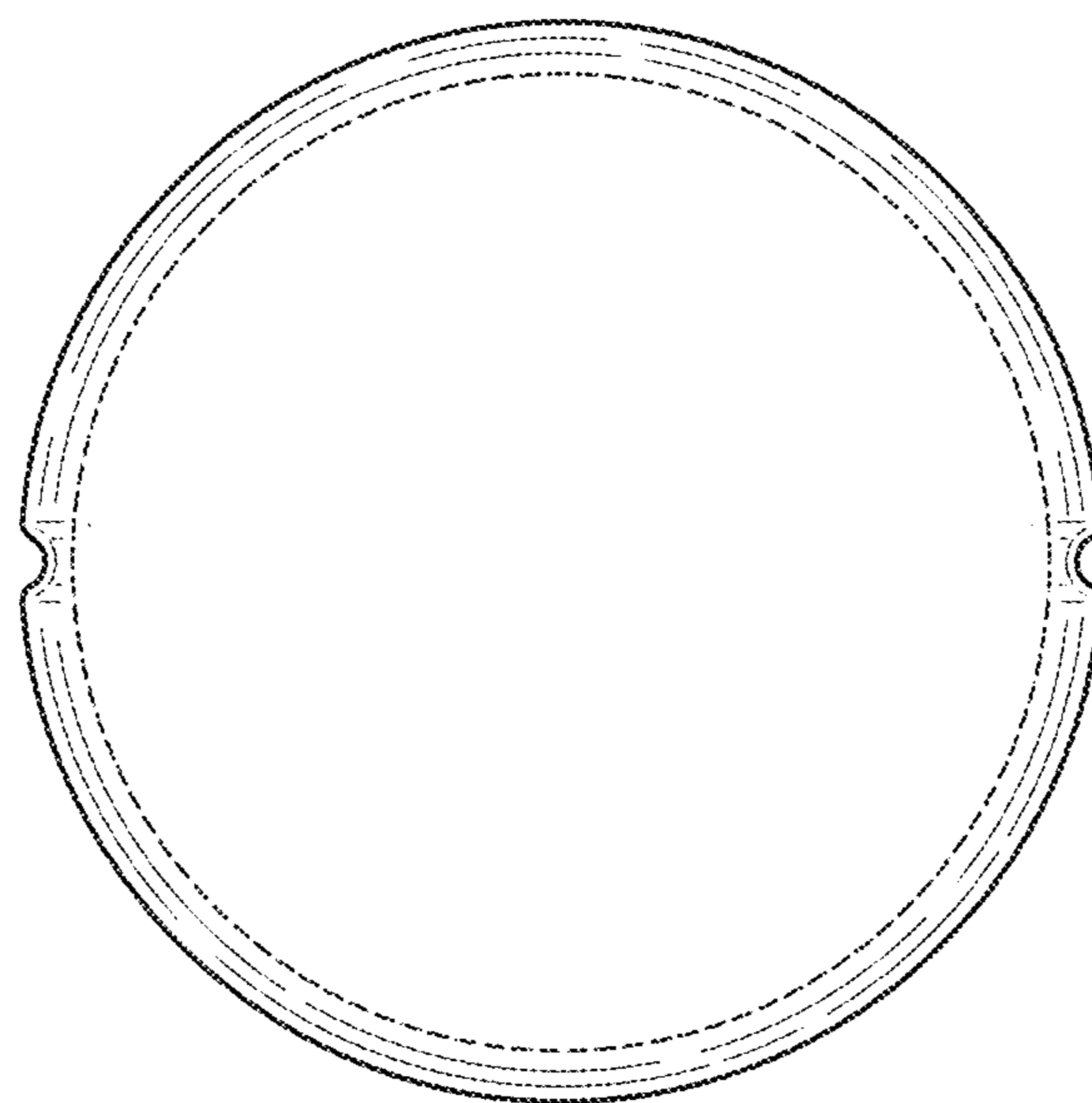


FIG. 5