



US0D1073060S

(12) **United States Design Patent** (10) **Patent No.: US D1,073,060 S**
Zoellner et al. (45) **Date of Patent: ** Apr. 29, 2025**

(54) **EXHALATION PORT FOR A BREATHING CIRCUIT**

FOREIGN PATENT DOCUMENTS

(71) Applicant: **Fisher & Paykel Healthcare Limited**,
Auckland (NZ)

WO WO 2000/050121 8/2000
WO WO 2005/021075 3/2005

(Continued)

(72) Inventors: **Sascha Kristopher Zoellner**, Auckland (NZ); **Katie Fyfe**, Auckland (NZ); **Kevin Blake Powell**, Auckland (NZ); **James Alexander Gordon**, Auckland (NZ)

OTHER PUBLICATIONS

Rugged Snow Roof Rake, posted at roofrake.com, earliest date posted on Jan. 17, 2008, [online], acquired on Aug. 14, 2019. Available from Internet, <URL: <http://www.roofrake.com/Productpages/ruggedroofrake.asp>> (Year: 2008).

(73) Assignee: **FISHER & PAYKEL HEALTHCARE LIMITED**, Auckland (NZ)

Primary Examiner — Sheryl Lane

Assistant Examiner — Aula Soroush

(**) Term: **15 Years**

(74) *Attorney, Agent, or Firm* — VIA LLP

(21) Appl. No.: **29/753,770**

(22) Filed: **Oct. 1, 2020**

(57) **CLAIM**

Related U.S. Application Data

The ornamental design for an exhalation port for a breathing circuit, as shown and described.

(60) Division of application No. 29/643,468, filed on Apr. 9, 2018, now Pat. No. Des. 900,999, which is a continuation of application No. 29/592,001, filed on Jan. 25, 2017, now Pat. No. Des. 817,478.

DESCRIPTION

(51) **LOC (15) Cl.** **29-02**

(52) **U.S. Cl.**
USPC **D24/110**

(58) **Field of Classification Search**
USPC D24/110, 110.1–110.6, 127, 129, 164
CPC .. A61M 16/00; A61M 16/06; A61M 16/0816;
A61M 16/0883; A61M 16/20; A62B 7/00
See application file for complete search history.

FIG. 1 is a perspective view showing a front side of an exhalation port for a breathing circuit, showing our new design.

FIG. 2 is a rear perspective view thereof.

FIG. 3 is a front view thereof.

FIG. 4 is a rear view thereof.

FIG. 5 is a left side view thereof.

FIG. 6 is a right side view thereof.

FIG. 7 is a top view thereof; and,

FIG. 8 is a bottom view thereof.

The dashed broken lines in the drawings illustrate portions of the exhalation port for a breathing circuit which form no part of the claimed design. The dot-dash broken lines define the bounds of the claimed design and forms no part thereof.

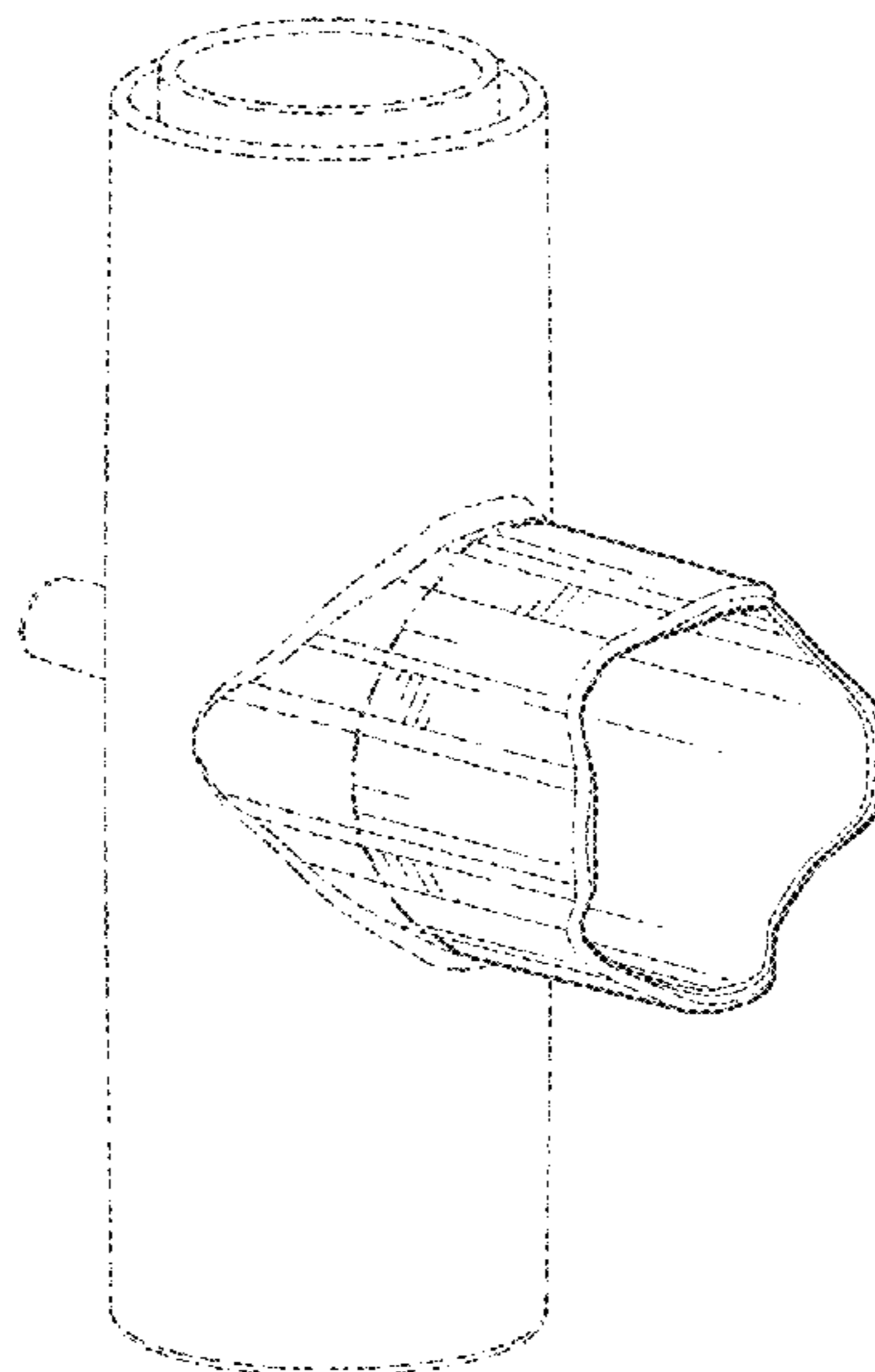
(56) **References Cited**

U.S. PATENT DOCUMENTS

2,348,074 A 5/1944 Lambertsen
3,812,878 A 5/1974 Bird et al.
4,265,239 A 5/1981 Rischer, Jr. et al.

(Continued)

1 Claim, 4 Drawing Sheets



(56)

References Cited

U.S. PATENT DOCUMENTS

5,647,355 A 7/1997 Starr et al.
 5,685,296 A 11/1997 Zdrojkowski et al.
 D410,284 S * 5/1999 Piontek D24/129
 5,937,851 A 8/1999 Serowski et al.
 5,937,855 A 8/1999 Zdrojkowski et al.
 5,988,160 A 11/1999 Foley et al.
 D429,330 S * 8/2000 Hoenig D24/110.6
 6,581,594 B1 6/2003 Drew et al.
 6,615,830 B1 9/2003 Serowski et al.
 6,823,865 B2 11/2004 Drew et al.
 6,851,425 B2 2/2005 Jaffre et al.
 6,851,427 B1 2/2005 Nashed
 7,159,587 B2 1/2007 Drew et al.
 D564,384 S 3/2008 Kapitulskiy
 7,703,457 B2 4/2010 Barnett et al.
 D638,931 S 5/2011 Graham et al.
 D651,304 S * 12/2011 Edwards D24/129
 D689,602 S * 9/2013 Amirav D24/110.6
 D691,717 S * 10/2013 McLean D24/129
 D692,121 S 10/2013 Fahy et al.
 D692,128 S 10/2013 Miller
 D693,001 S * 11/2013 Winter D24/110.6
 8,678,003 B2 3/2014 Darkin et al.
 8,701,658 B2 4/2014 Mazela et al.

8,714,157 B2 5/2014 McAuley et al.
 D724,198 S 3/2015 Oostman et al.
 9,022,029 B2 5/2015 Varga et al.
 9,044,562 B2 6/2015 Dillingham et al.
 D785,161 S * 4/2017 Dravitzki D24/127
 D817,478 S * 5/2018 Zoellner D24/110.6
 D829,897 S * 10/2018 Iida D24/129
 D852,355 S * 6/2019 Fiorenza D24/110.6
 D861,856 S * 10/2019 Lin D24/110.4
 D900,999 S 11/2020 Zoellner et al.
 D901,004 S * 11/2020 Scheirlinck D24/129
 D1,047,135 S * 10/2024 Zoellner D24/110.6
 2005/0022828 A1 2/2005 Fukunaga et al.
 2005/0066964 A1 3/2005 Bathe
 2007/0113854 A1 5/2007 Mcauliffe
 2013/0213401 A1 8/2013 Haibach
 2014/0109901 A9 4/2014 Hallett et al.
 2015/0128950 A1 5/2015 Veliss
 2016/0008558 A1 1/2016 Huddart et al.
 2016/0271351 A1 9/2016 Frater et al.

FOREIGN PATENT DOCUMENTS

WO WO 2015/048849 10/2013
 WO WO 2014/129913 8/2014

* cited by examiner

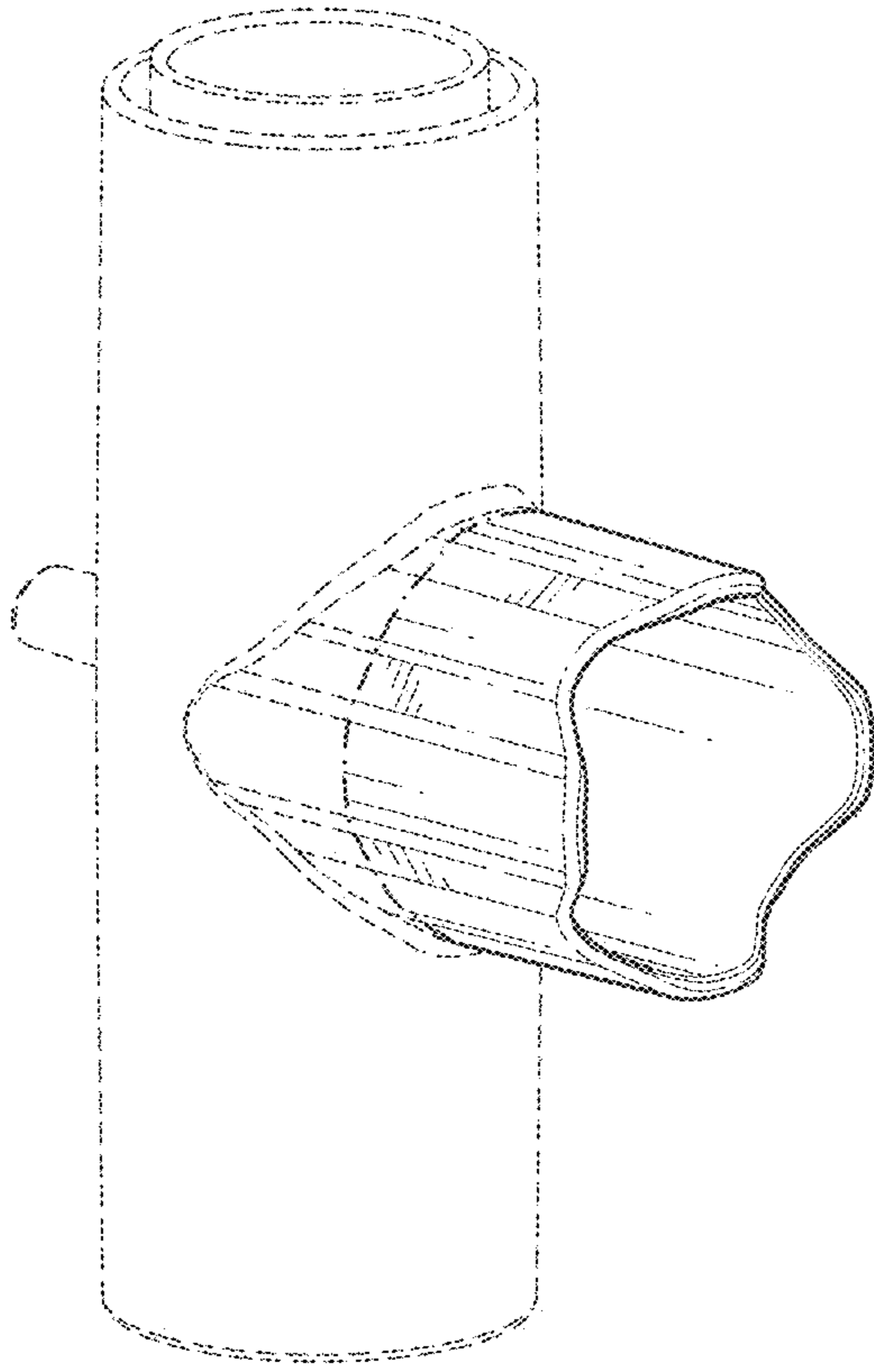


FIG. 1

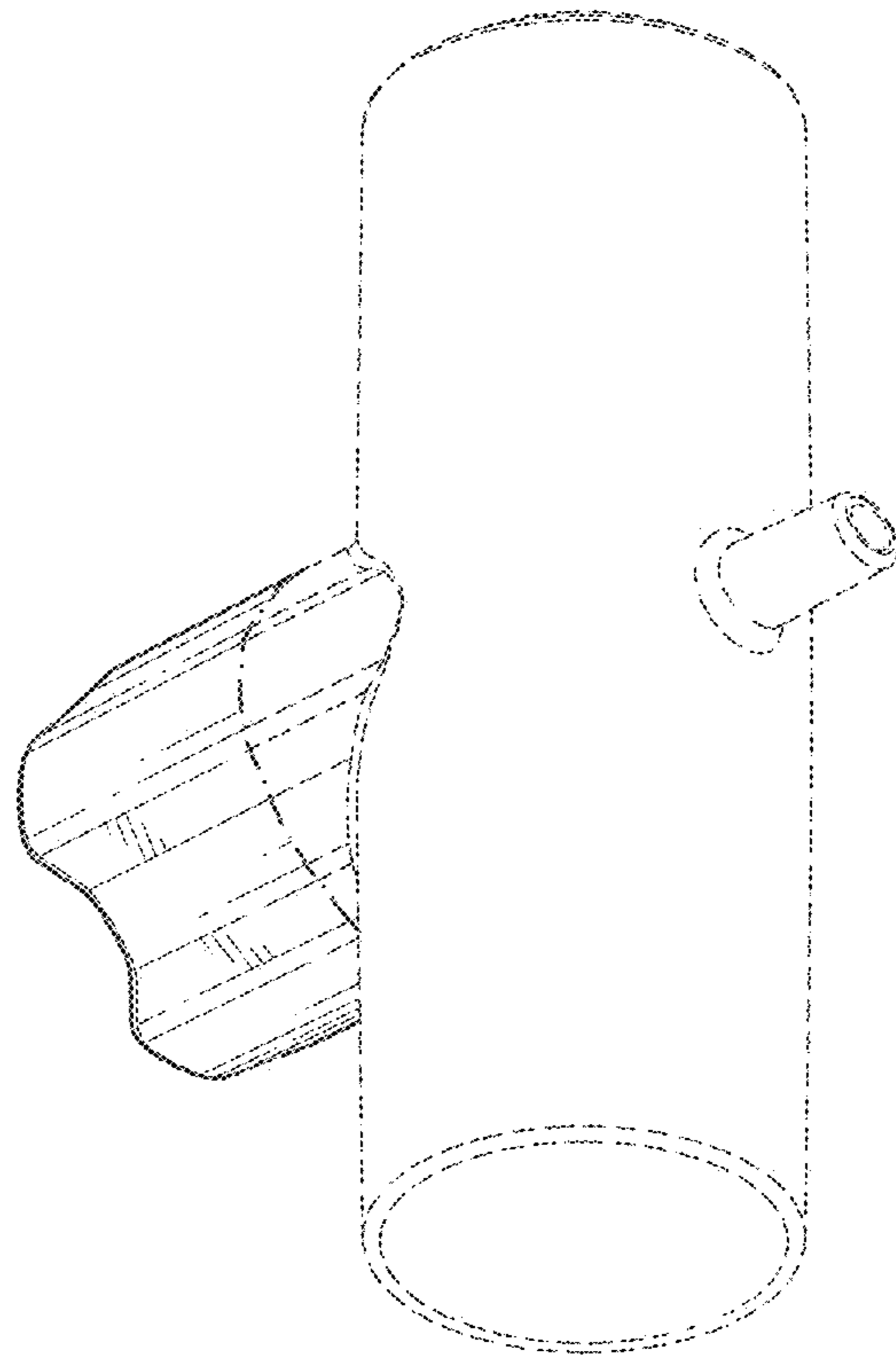


FIG. 2

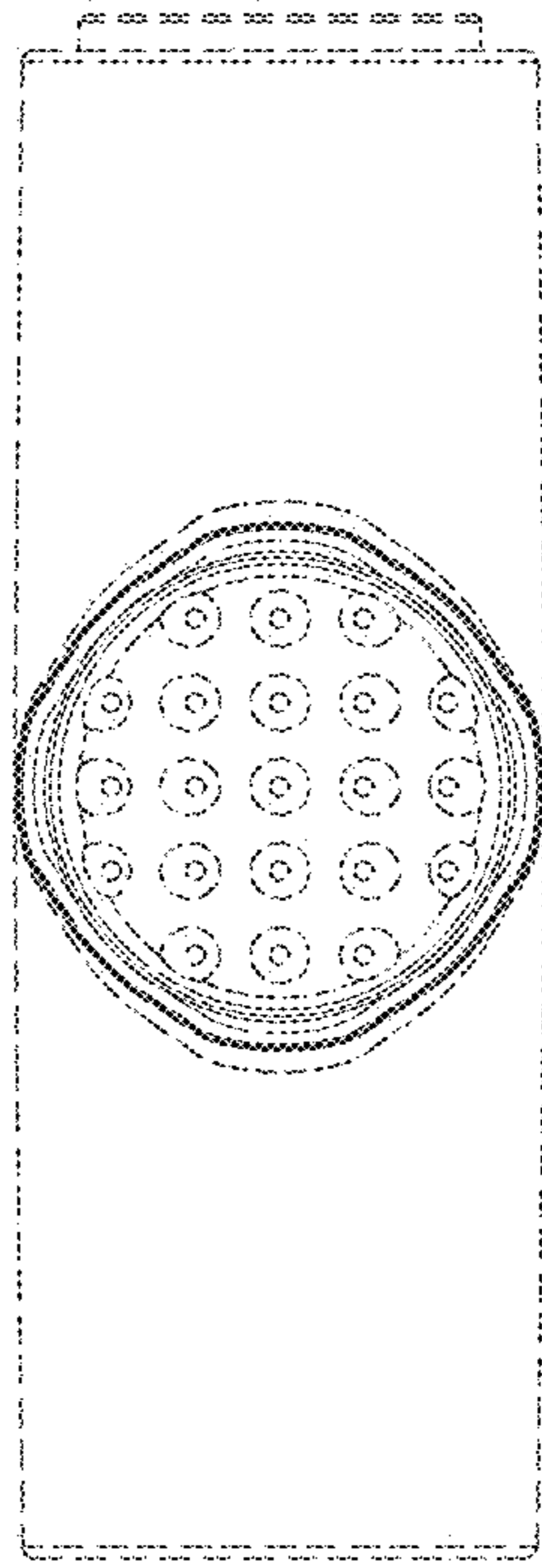


FIG. 3

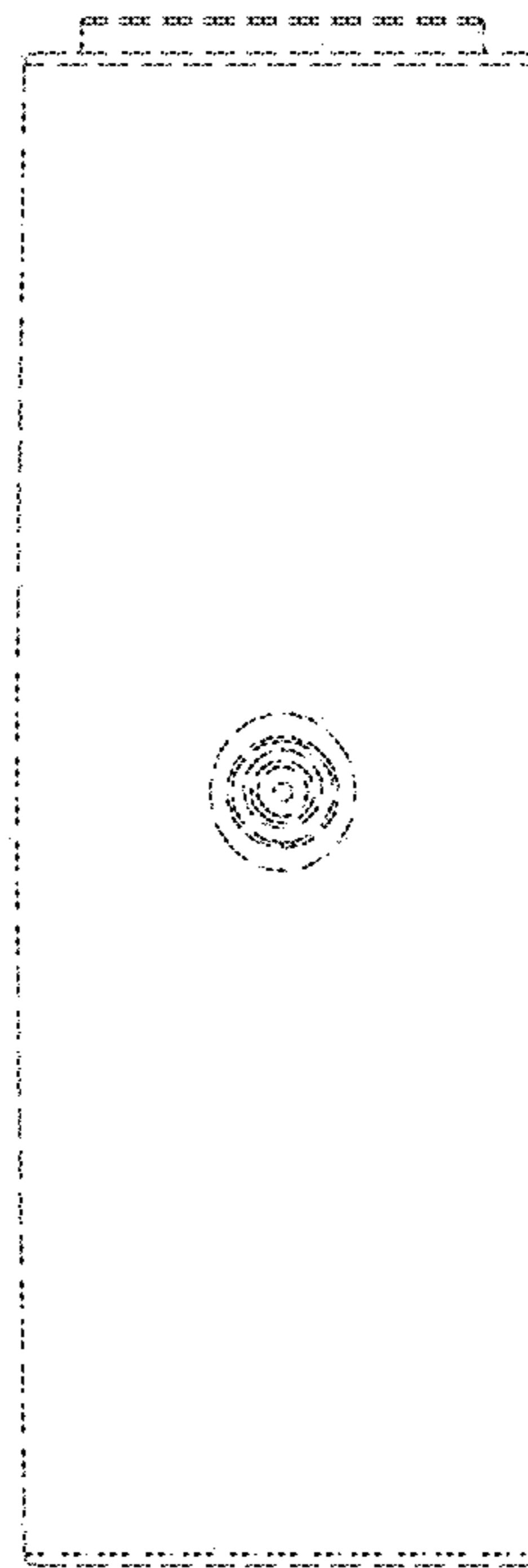


FIG. 4

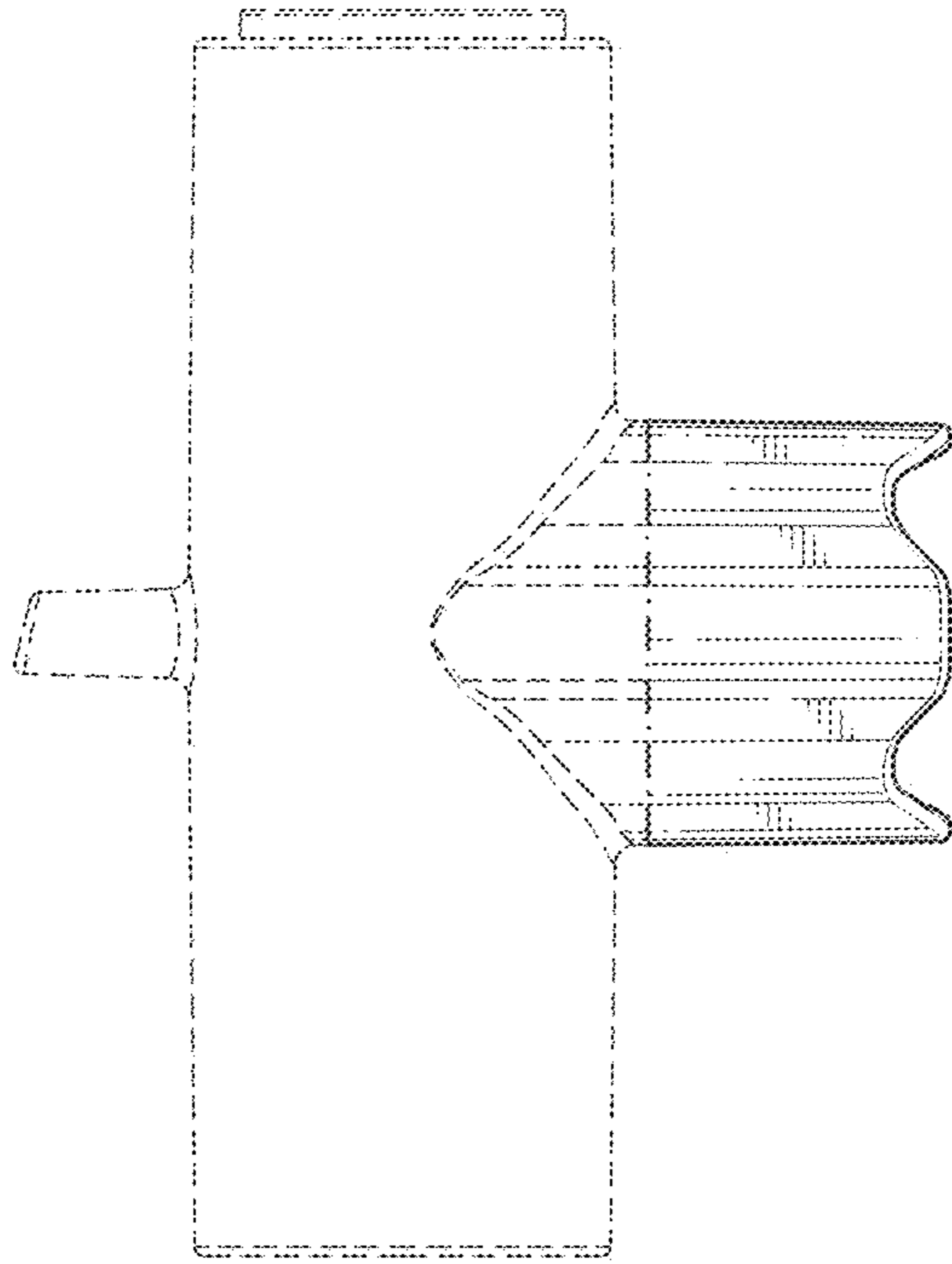


FIG. 5

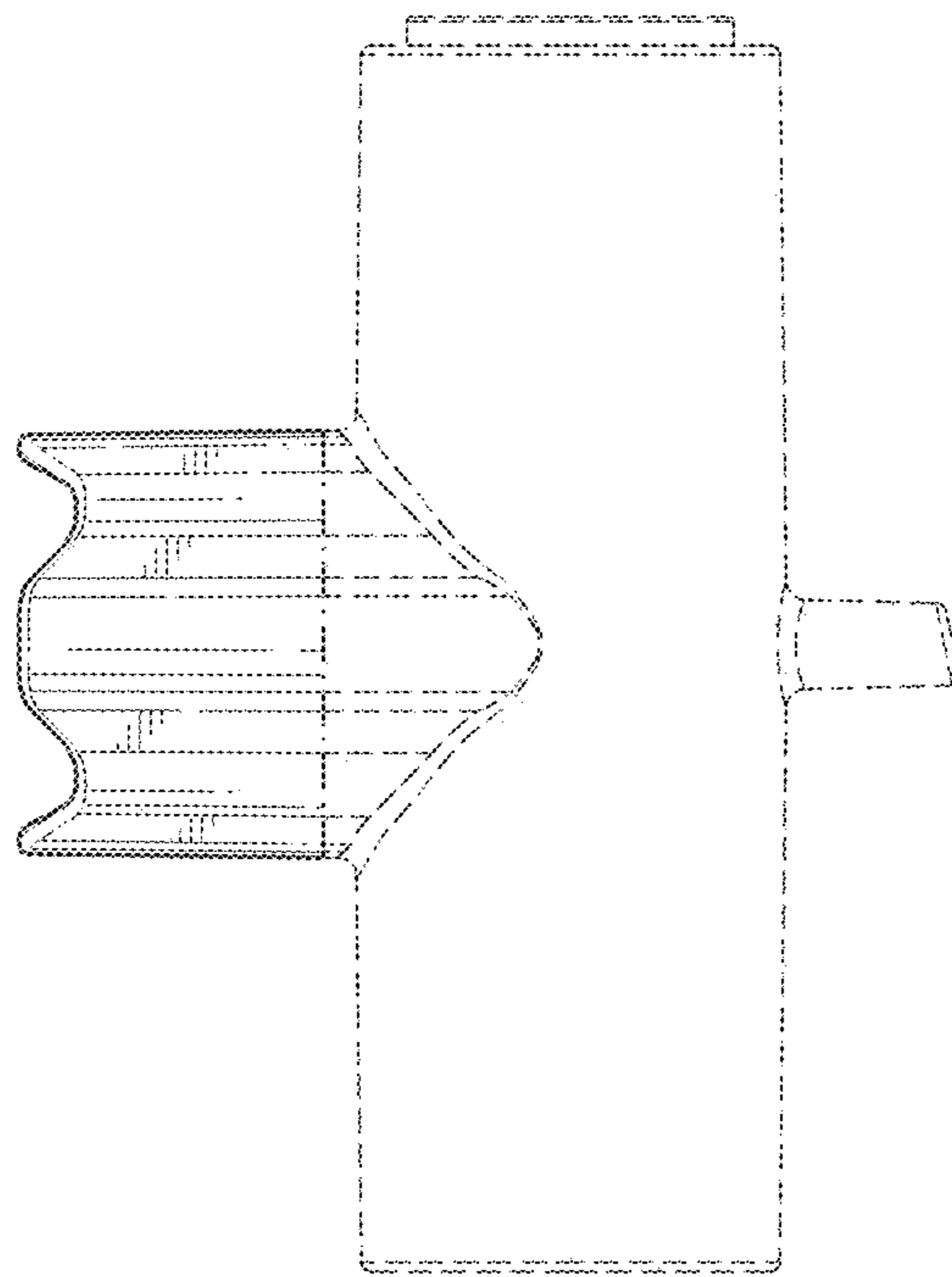


FIG. 6

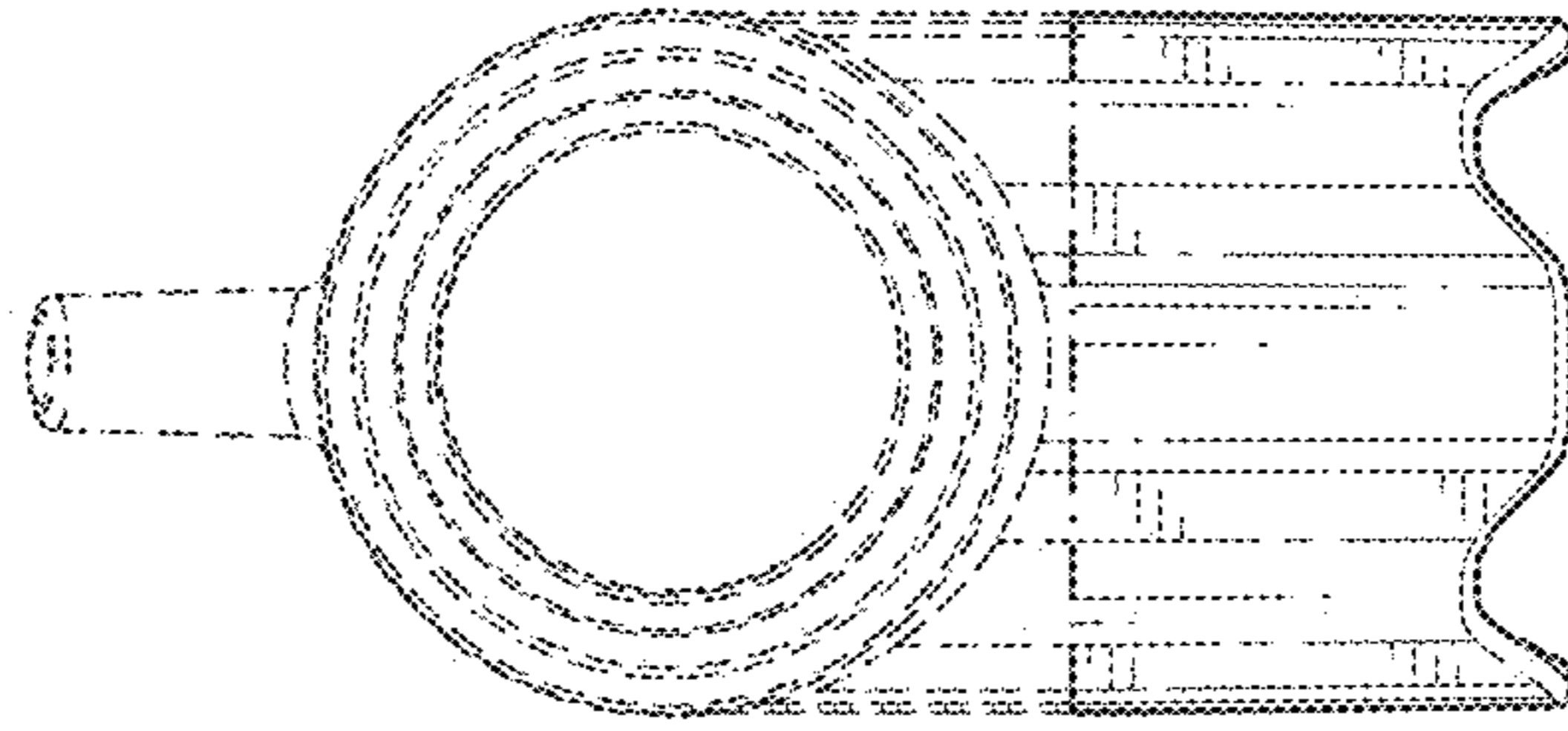


FIG. 7

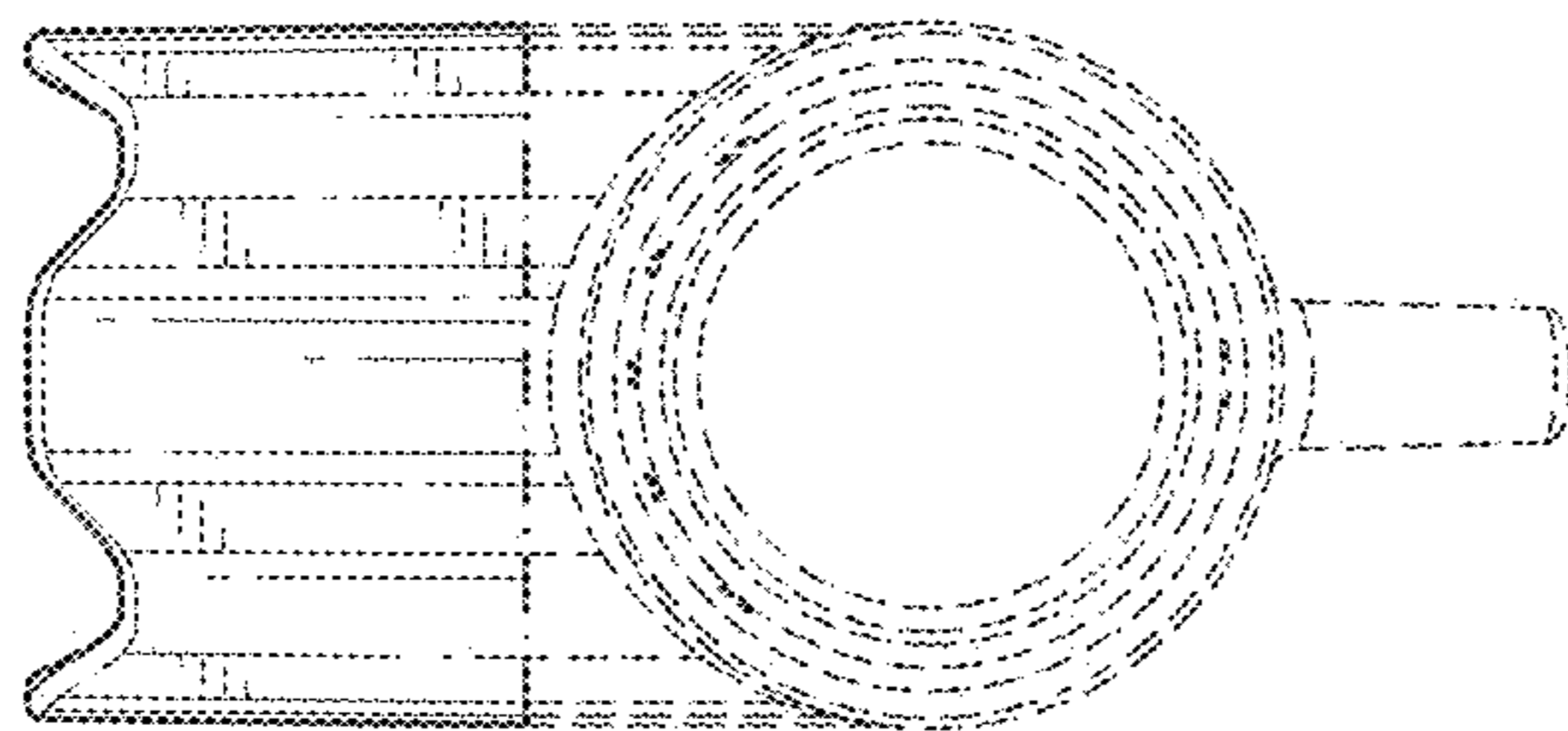


FIG. 8