



US0D1067815S

(12) **United States Design Patent**
Glazier et al.

(10) **Patent No.: US D1,067,815 S**

(45) **Date of Patent: ** Mar. 25, 2025**

(54) **STRAP ADJUSTER FOR A GARMENT**

(71) Applicant: **LULULEMON ATHLETICA CANADA INC.**, Vancouver (CA)

(72) Inventors: **Rebecca Glazier**, New Westminster (CA); **Jessica Lee Croll**, Vancouver (CA)

(73) Assignee: **LULULEMON ATHLETICA CANADA INC.**, Vancouver (CA)

(**) Term: **15 Years**

(21) Appl. No.: **29/727,944**

(22) Filed: **Mar. 13, 2020**

(51) **LOC (15) Cl.** **02-07**

(52) **U.S. Cl.**
USPC **D11/218; D2/706**

(58) **Field of Classification Search**
USPC D11/200, 203, 206, 210, 212, 214, 218, D11/229, 236; D2/705-710
CPC A44B 11/001; A44B 11/04; A44B 11/10; A44B 11/20; A44B 11/065; A44B 19/00; A41C 3/0028; A41C 3/0057; A41C 3/00
See application file for complete search history.

(56) **References Cited**

U.S. PATENT DOCUMENTS

- 1,180,035 A * 4/1916 Hausen A41F 11/04 24/474
- 1,319,547 A * 10/1919 White A44B 11/10 24/194
- 2,212,862 A * 8/1940 Hirsh A44B 11/04 24/336
- 2,245,910 A * 6/1941 Finkelstein A41C 3/00 450/59
- 2,278,153 A * 3/1942 Shaulson A44B 11/04 24/200

- D146,923 S * 6/1947 Leming D11/200
- 2,565,629 A * 8/1951 Reinberger A44B 11/04 24/200
- 3,019,792 A * 2/1962 Kahn A41C 3/00 D2/707

(Continued)

FOREIGN PATENT DOCUMENTS

- CA 193874 * 9/2022
- JP 11318517 A * 11/1999 A42B 1/22

Primary Examiner — Brett Miller

(74) *Attorney, Agent, or Firm* — CONNEELY PC; Joseph Conneely

(57) **CLAIM**

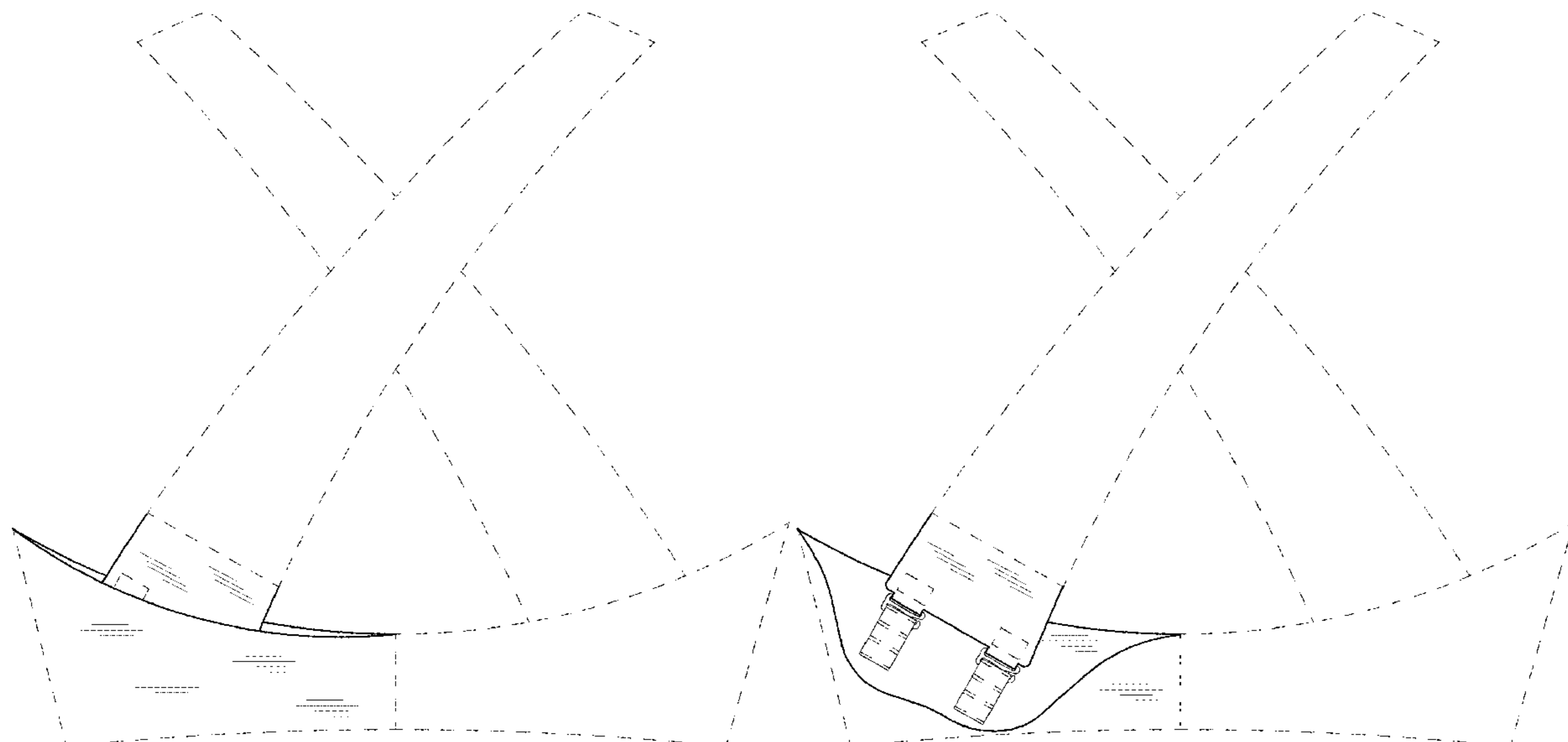
The ornamental design for a strap adjuster for a garment, as shown and described.

DESCRIPTION

FIG. 1 is a front view of a strap adjuster for a garment shown in a covered and closed position according to the design; FIG. 2 is a front view thereof shown in an uncovered and closed position; FIG. 3 is an enlarged front view of the loop and hook thereof in isolation; FIG. 4 is a rear view thereof; FIG. 5 is a right side view thereof; FIG. 6 is a left side view thereof; FIG. 7 is a right side perspective view thereof; FIG. 8 is a left side perspective view thereof; FIG. 9 is a front view of FIG. 1 shown in exemplary use in environment; and, FIG. 10 is a front view of FIG. 2 shown in exemplary use in environment.

The portions of the strap adjuster for a garment shown in broken lines in FIGS. 1-4 and 7-10 do not form part of the claimed design. The broken line showing of the garment in FIGS. 9-10 is for the purpose of illustrating portions of the environmental structure and forms no part of the claimed design.

1 Claim, 6 Drawing Sheets



(56)

References Cited

U.S. PATENT DOCUMENTS

3,121,270 A * 2/1964 Van Den Broek B65D 63/16
 24/312
 D203,438 S * 1/1966 Heimlich D11/210
 3,548,832 A * 12/1970 Rosner A41C 3/00
 450/59
 D256,288 S * 8/1980 Stern D2/708
 D269,219 S * 6/1983 Stern D2/707
 4,457,051 A * 7/1984 Bartolini B29C 66/7392
 24/265 R
 5,177,837 A * 1/1993 Rekuc A44B 11/00
 24/200
 D350,712 S * 9/1994 D'Ambrosio D11/218
 6,023,785 A * 2/2000 Johnson A41C 3/0057
 450/63
 6,085,449 A * 7/2000 Tsui A45C 13/42
 224/267

D445,723 S * 7/2001 Kim D11/218
 D447,091 S * 8/2001 Fildan D11/210
 D612,765 S * 3/2010 Fildan D11/218
 D705,123 S * 5/2014 Thompson D11/210
 D815,982 S * 4/2018 Chang D11/208
 D829,128 S * 9/2018 Webb D11/200
 D879,409 S * 3/2020 James D2/625
 D911,667 S * 3/2021 Mohamed D2/706
 D959,791 S * 8/2022 Picco D2/706
 D1,001,429 S * 10/2023 Yaremenko D2/706
 2006/0252346 A1 * 11/2006 Reinisch A41C 3/0028
 450/86
 2014/0310921 A1 * 10/2014 Mohri A41F 9/002
 24/199
 2014/0338157 A1 * 11/2014 Lannello A44B 11/04
 24/318
 2017/0055614 A1 * 3/2017 Castañeda Smids
 A41C 3/0014
 2023/0019888 A1 * 1/2023 Barr A41F 9/002

* cited by examiner

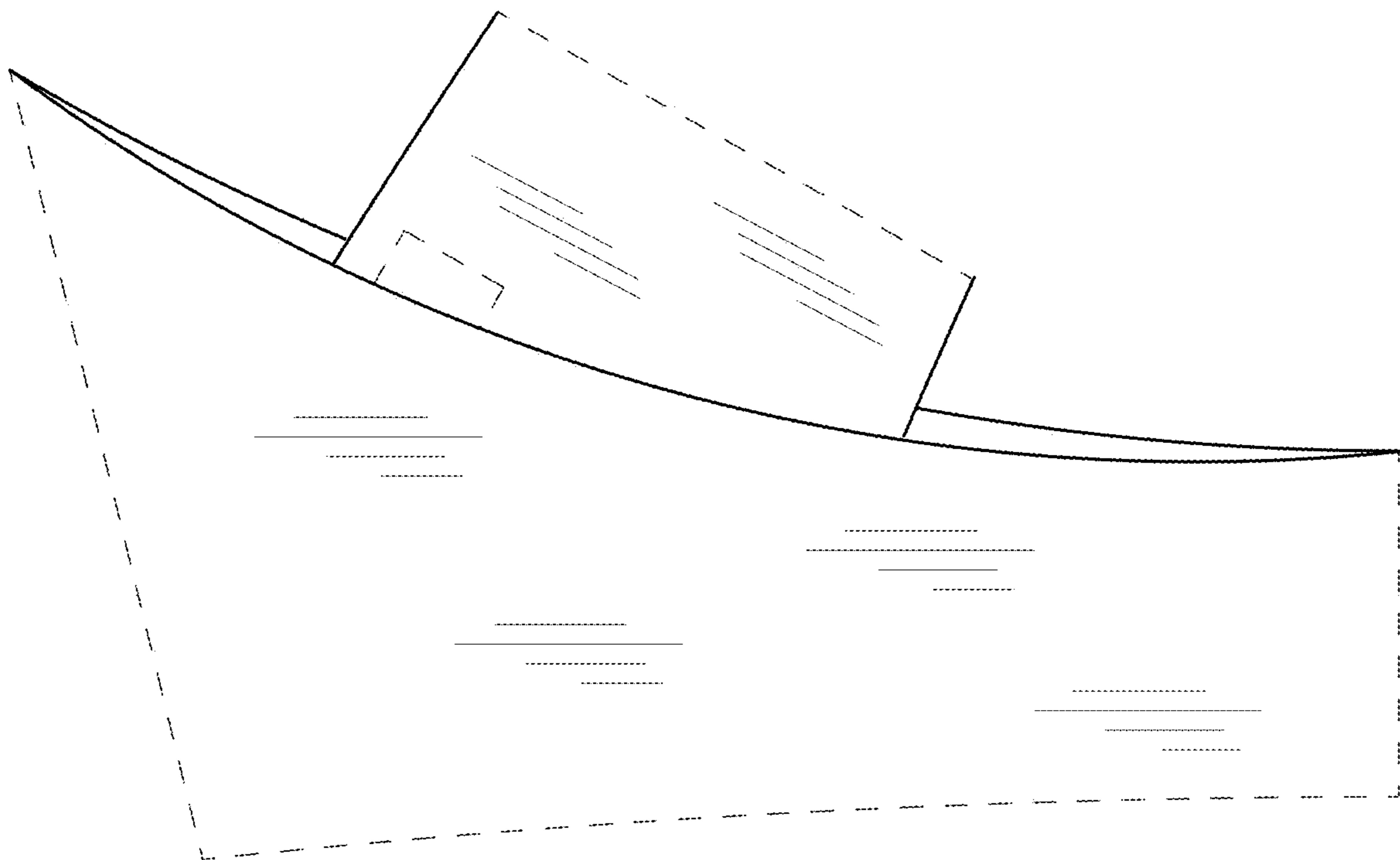


FIG. 1

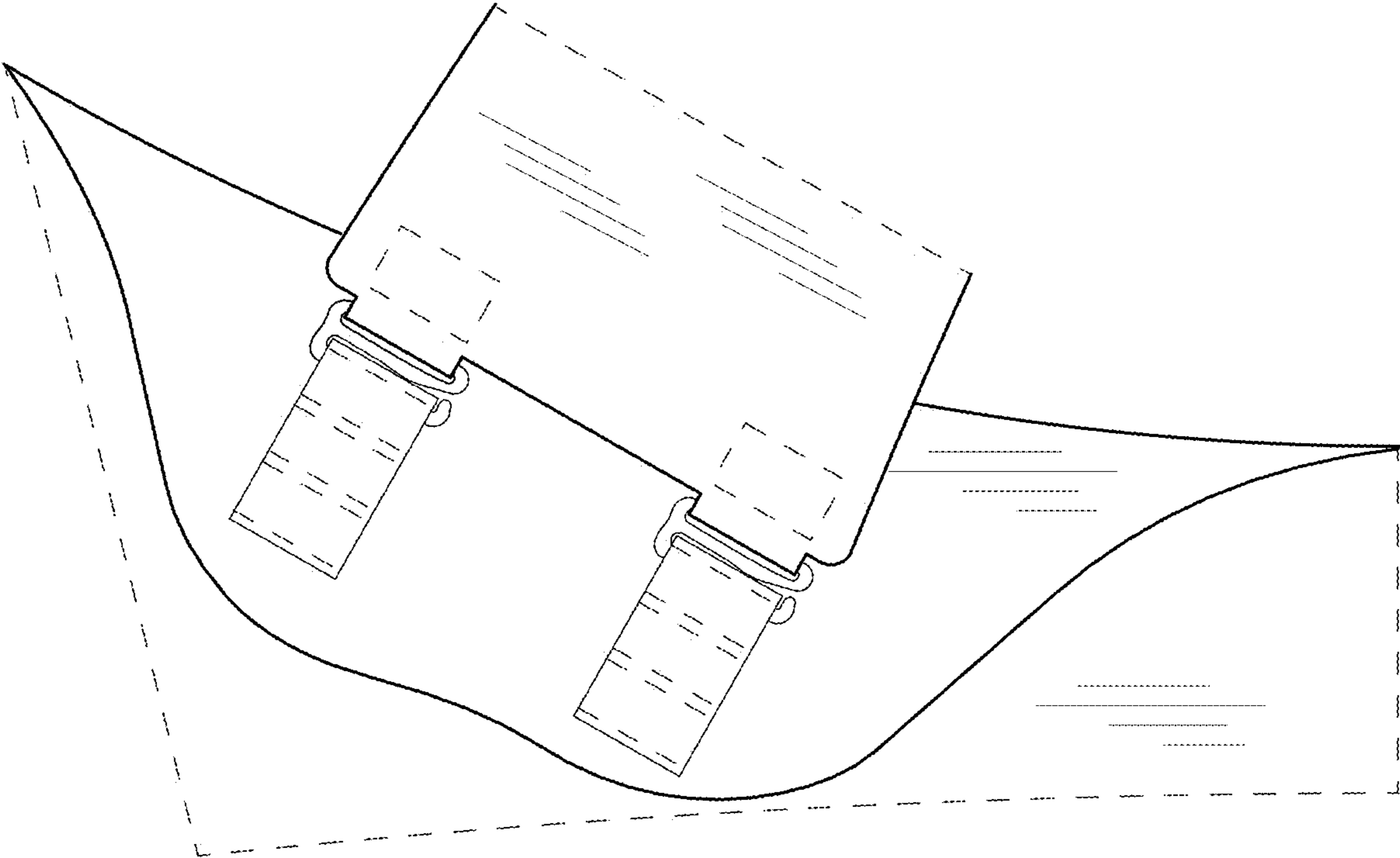


FIG.2

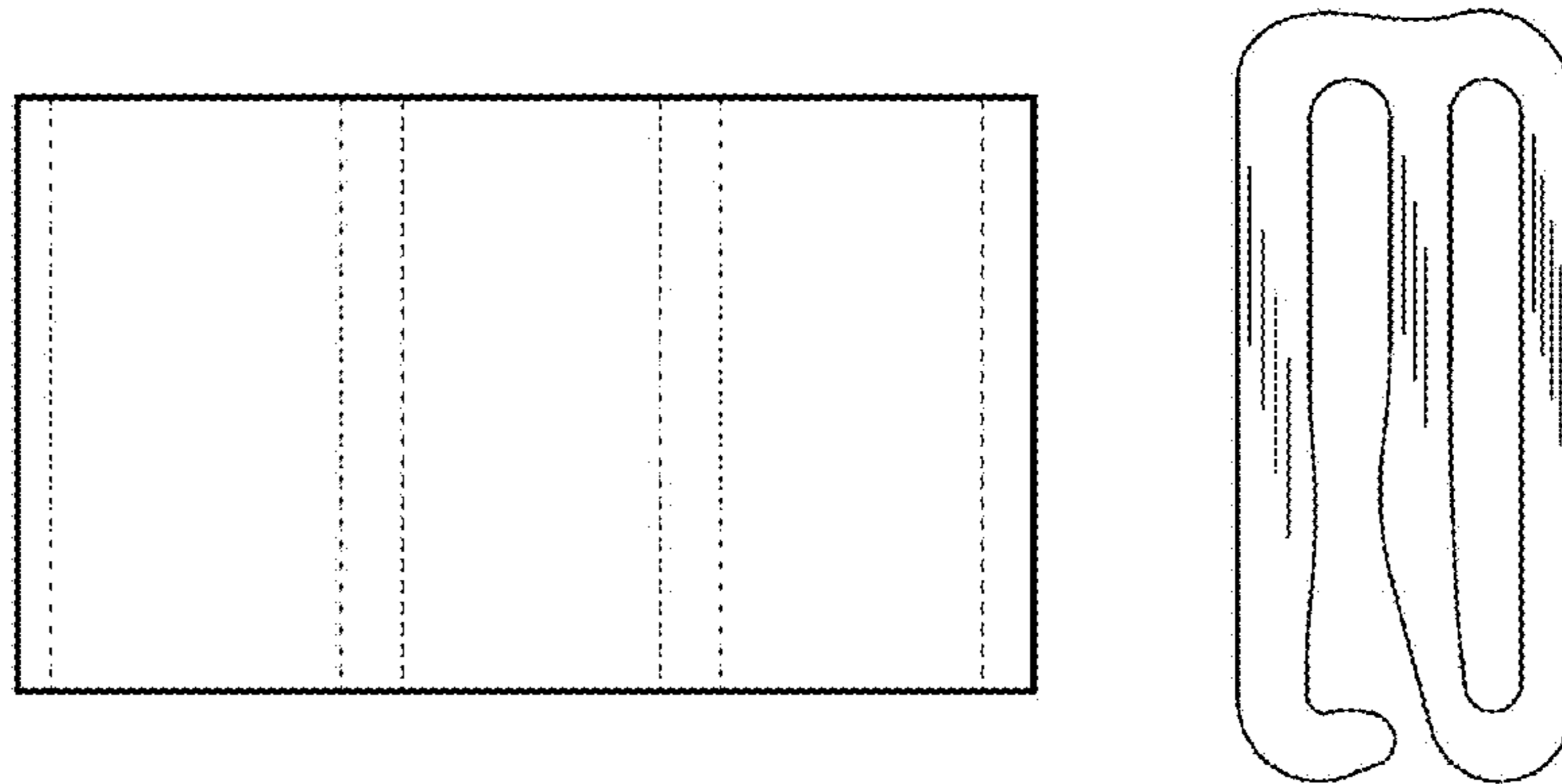


FIG. 3

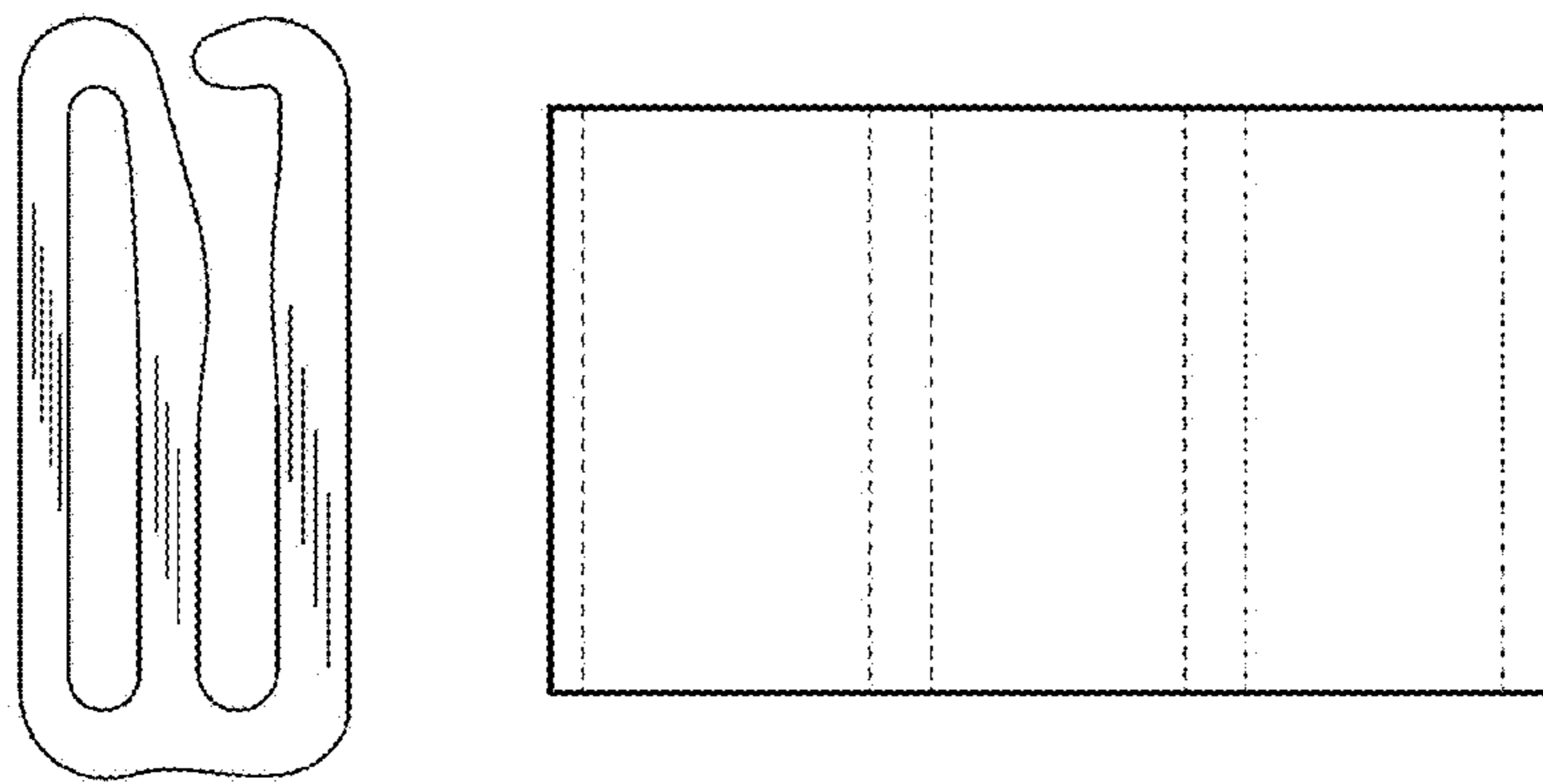


FIG. 4

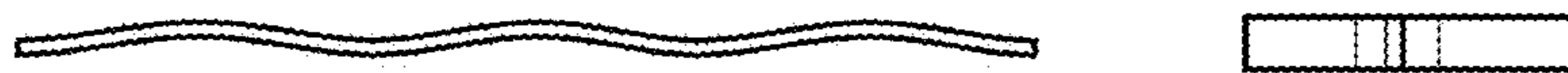


FIG. 5

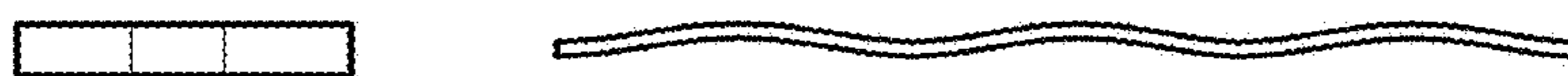


FIG. 6

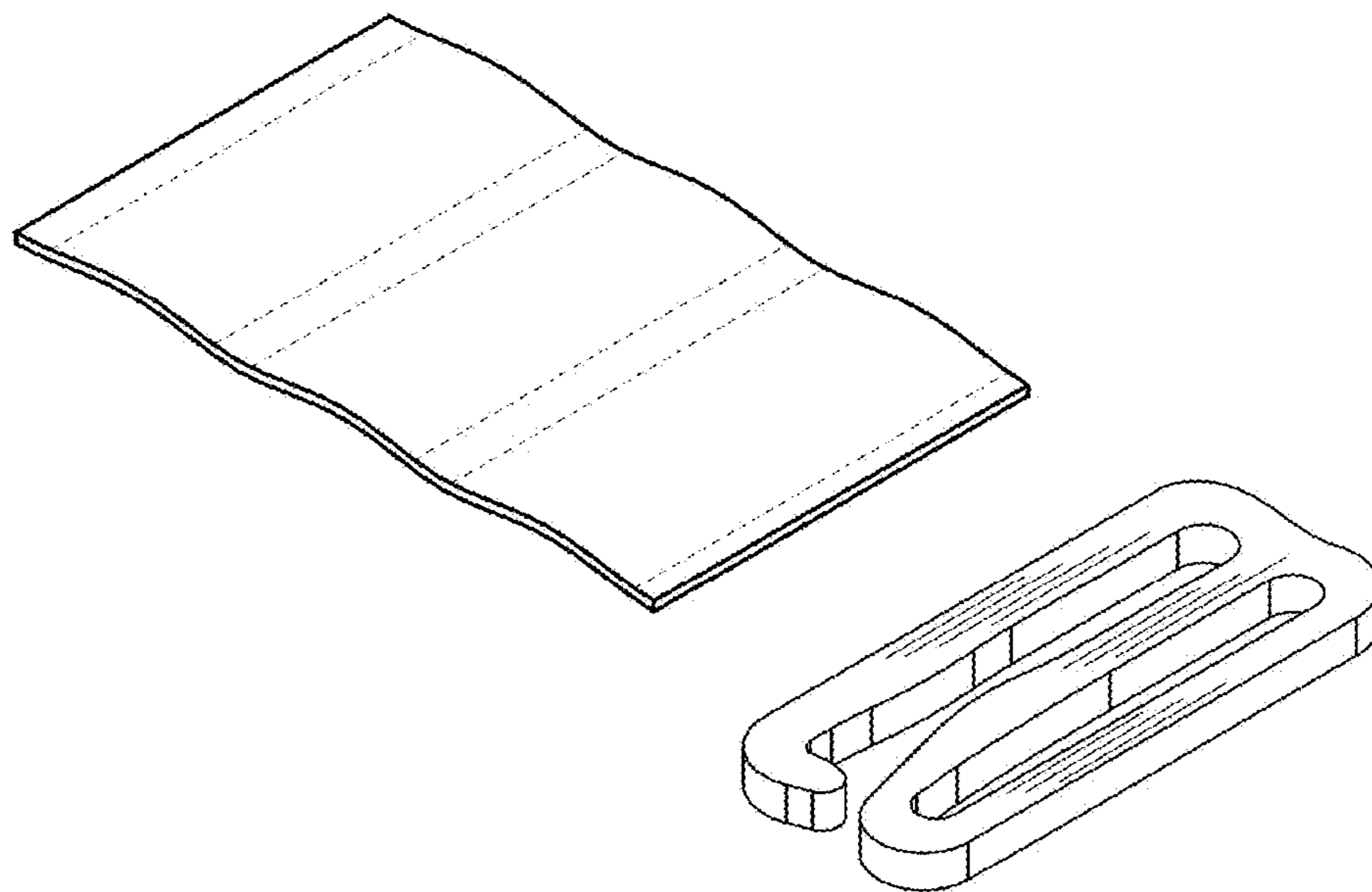


FIG. 7

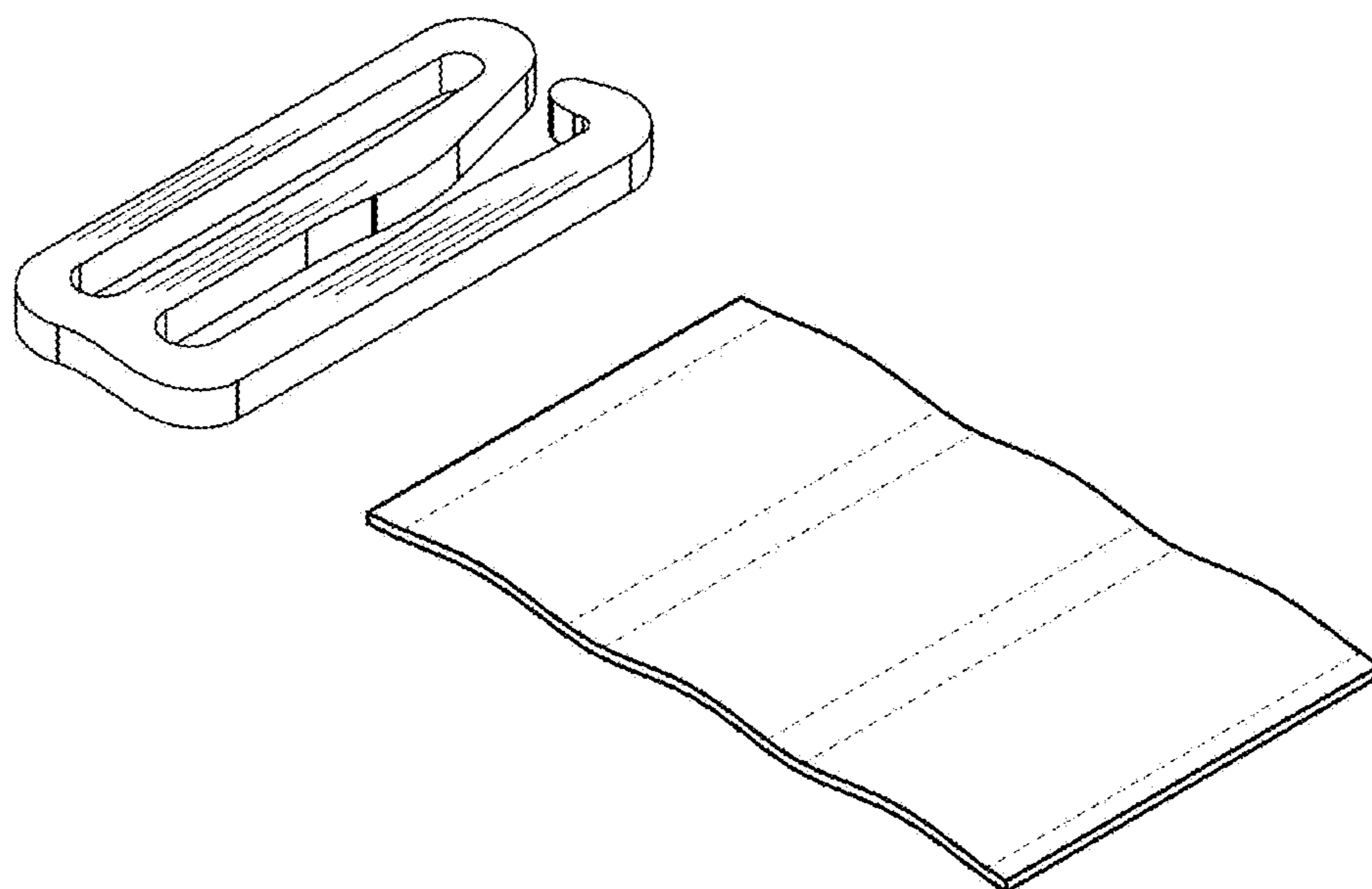


FIG. 8

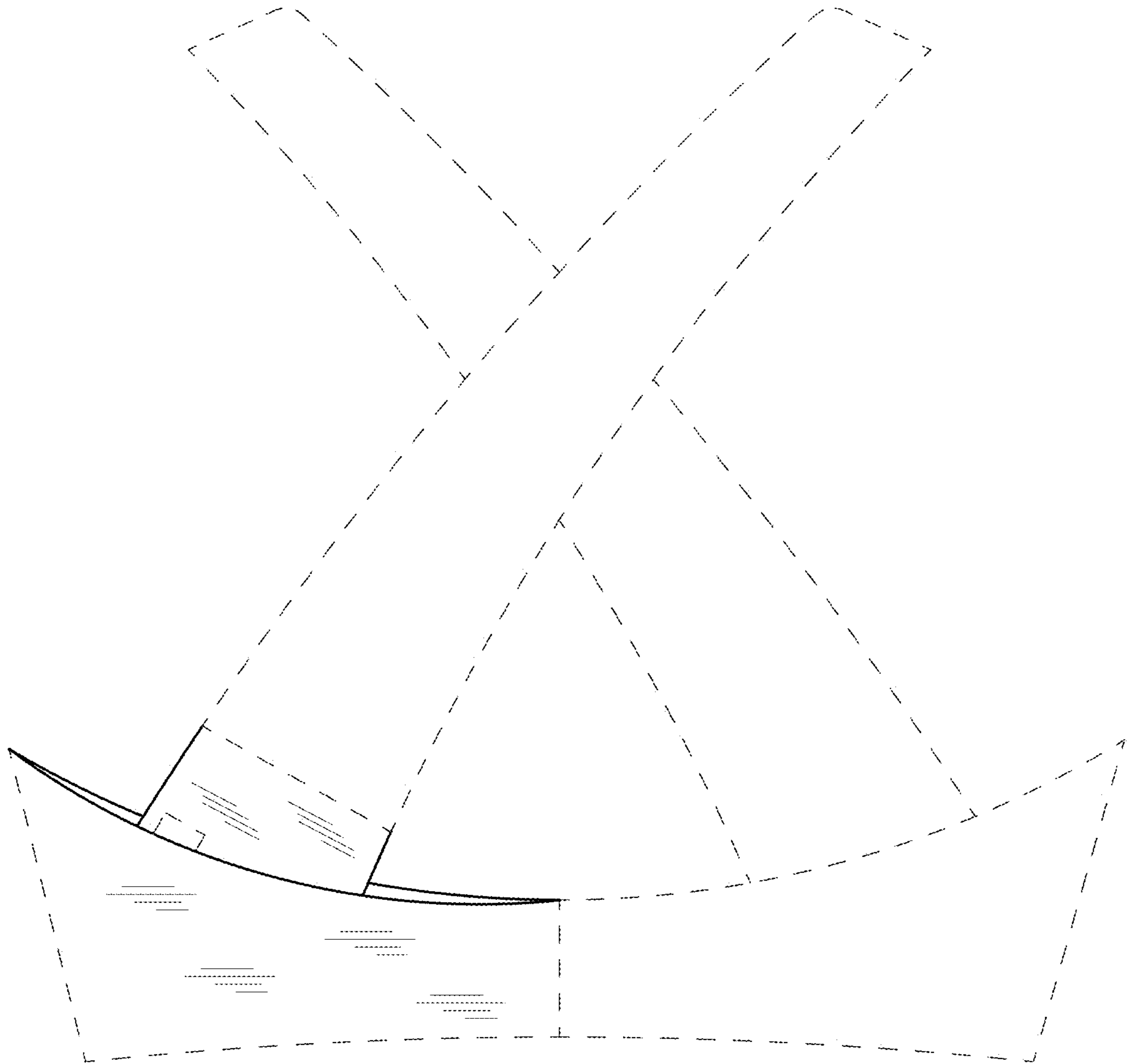


FIG.9

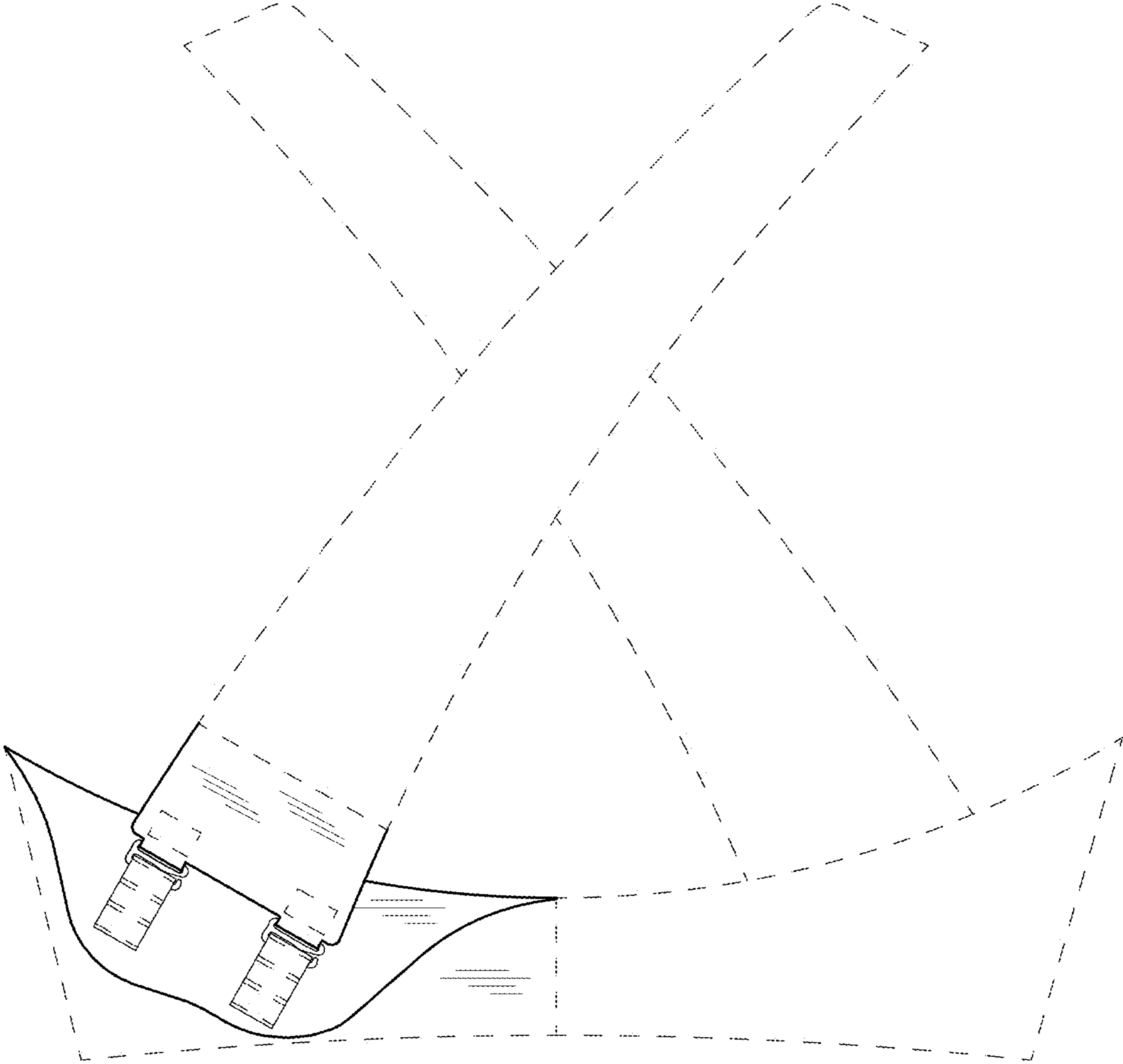


FIG.10