



US0D1066855S

(12) **United States Design Patent**  
**Lim et al.**

(10) **Patent No.: US D1,066,855 S**

(45) **Date of Patent: \*\* Mar. 11, 2025**

(54) **CART**

(71) Applicant: **PepsiCo, Inc.**, Purchase, NY (US)

(72) Inventors: **Stephen Lim**, Chappaqua, NY (US);  
**Klaus Rosburg**, Brooklyn, NY (US)

(73) Assignee: **PepsiCo, Inc.**, Purchase, NY (US)

(\*\*) Term: **15 Years**

(21) Appl. No.: **29/848,147**

(22) Filed: **Jul. 29, 2022**

(51) **LOC (15) Cl.** ..... **12-02**

(52) **U.S. Cl.**  
USPC ..... **D34/21**; D34/14; D34/17; D34/19

(58) **Field of Classification Search**  
USPC ..... D34/12, 14, 17, 19, 20, 21, 25  
CPC ..... A61B 2560/0437; A47B 2031/002; A47B  
2031/026; F25D 23/12; F25D 3/06; F25D  
2400/38; B62B 3/00; B62B 2202/67;  
B62B 2205/32

See application file for complete search history.

(56) **References Cited**

**U.S. PATENT DOCUMENTS**

D137,626 S *	4/1944	Adams	.....	211/1
D173,321 S *	10/1954	Oakes	.....	D34/20
D271,716 S *	12/1983	Bachmann	.....	D7/307
4,898,294 A *	2/1990	Jennings	.....	A47J 41/0044 312/236
D323,051 S *	1/1992	Baggott	.....	D34/14
D366,746 S *	1/1996	Jones	.....	D34/21
D468,881 S *	1/2003	Cox	.....	D34/19
D683,101 S *	5/2013	Wojdyla-Gray	.....	D34/14
D703,904 S *	4/2014	Knoll	.....	D34/20
D727,673 S *	4/2015	Broen	.....	D7/311
D746,177 S	12/2015	Broen et al.		
D771,158 S	11/2016	Jain et al.		
D968,047 S *	10/2022	Söödi	.....	D34/19

D971,918 S *	12/2022	Gao	.....	D14/375
D1,011,684 S *	1/2024	Lim	.....	D34/19
D1,033,784 S *	7/2024	Nicholson	.....	D34/14
2016/0340166 A1 *	11/2016	Broen	.....	B67D 1/06

(Continued)

**FOREIGN PATENT DOCUMENTS**

CN	308414065	*	1/2024
GB	2074223	*	8/1998

**OTHER PUBLICATIONS**

Summit CartOS Serving Cart, date first available Oct. 17, 2008 [online], [site visited Aug. 7, 2024]. Available from internet, URL: <<https://www.amazon.com/Summit-CartOS-Serving-Stainless-Steel/dp/B000OGS39A/>> (Year: 2008).\*

(Continued)

*Primary Examiner* — George A Bugg  
*Assistant Examiner* — David Weir  
(74) *Attorney, Agent, or Firm* — Sterne, Kessler, Goldstein & Fox P.L.L.C.

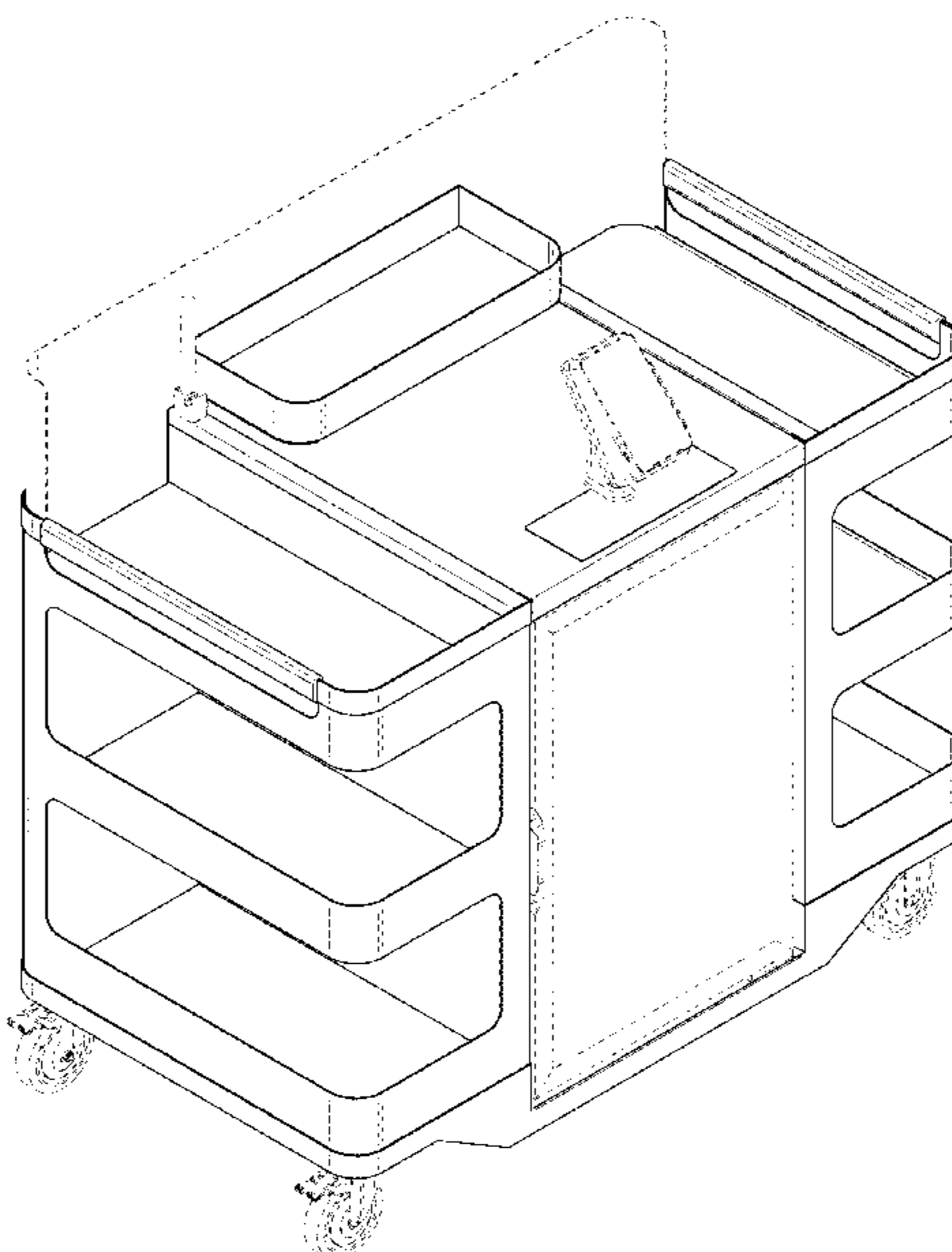
(57) **CLAIM**

The ornamental design for a cart as shown and described.

**DESCRIPTION**

FIG. 1 is a top front isometric view of a cart showing the claimed design;  
FIG. 2 is a bottom rear isometric view thereof;  
FIG. 3 is a front elevation view thereof;  
FIG. 4 is a rear elevation view thereof;  
FIG. 5 is a left side elevation view thereof;  
FIG. 6 is a right side elevation view thereof;  
FIG. 7 is a top plan view thereof; and,  
FIG. 8 is a bottom plan view thereof.  
The broken lines in the figures show portions of the cart that form no part of the claimed design.

**1 Claim, 8 Drawing Sheets**



(56)

**References Cited**

U.S. PATENT DOCUMENTS

2022/0135097 A1\* 5/2022 Alobaidi ..... B62B 3/005  
222/146.6  
2023/0404257 A1\* 12/2023 Chang ..... A47B 46/00

OTHER PUBLICATIONS

Mont Alpi Mapcl Outdoor Bar, date first available Sep. 11, 2023  
[online], [site visited Aug. 7, 2024]. Available from internet, URL:  
<[https://www.amazon.com/Mont-Alpi-Barbecue-Stainless-Refrigerator/  
dp/B0CHSWQ9XR?th=1](https://www.amazon.com/Mont-Alpi-Barbecue-Stainless-Refrigerator/dp/B0CHSWQ9XR?th=1)> (Year: 2023).\*

\* cited by examiner

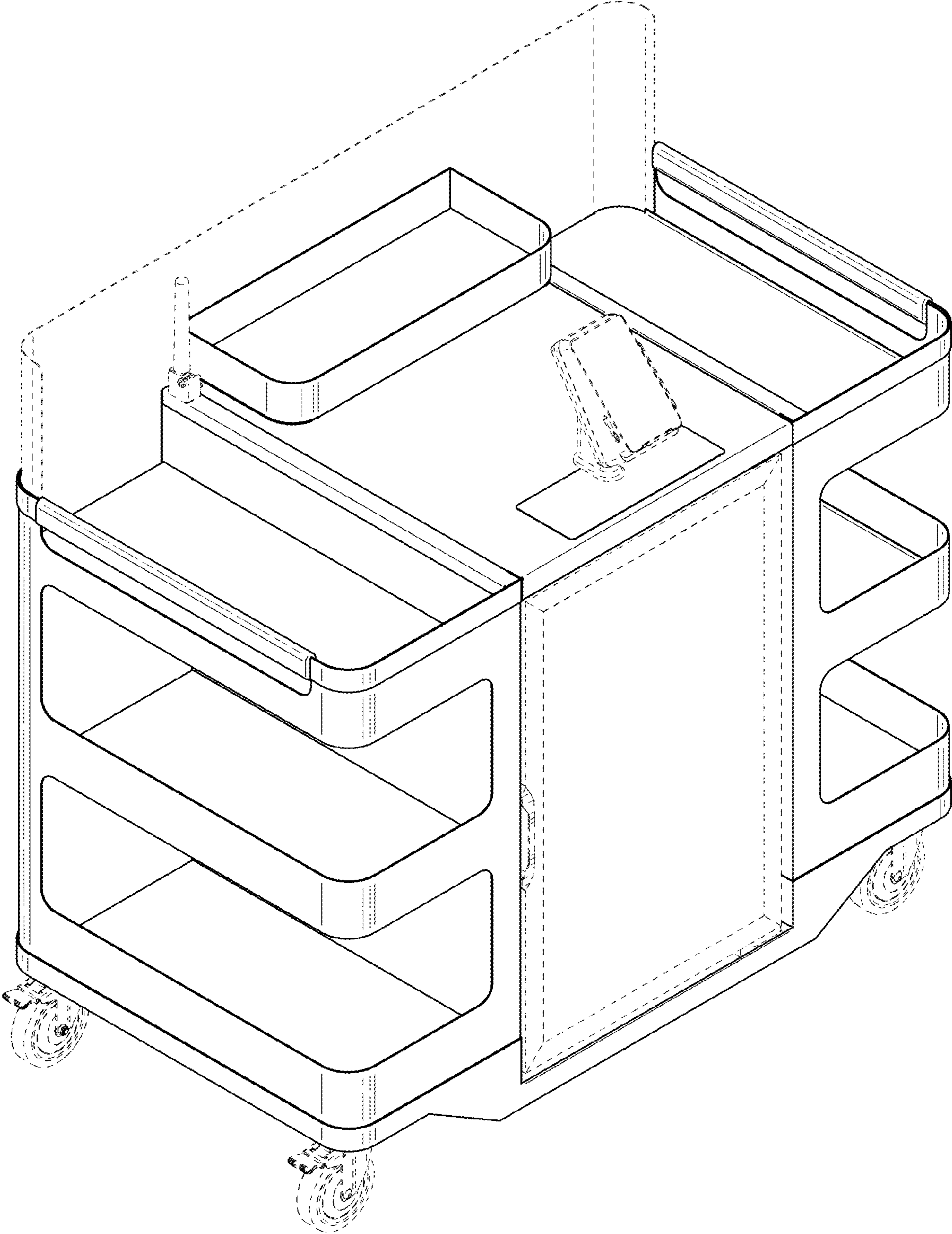


FIG. 1

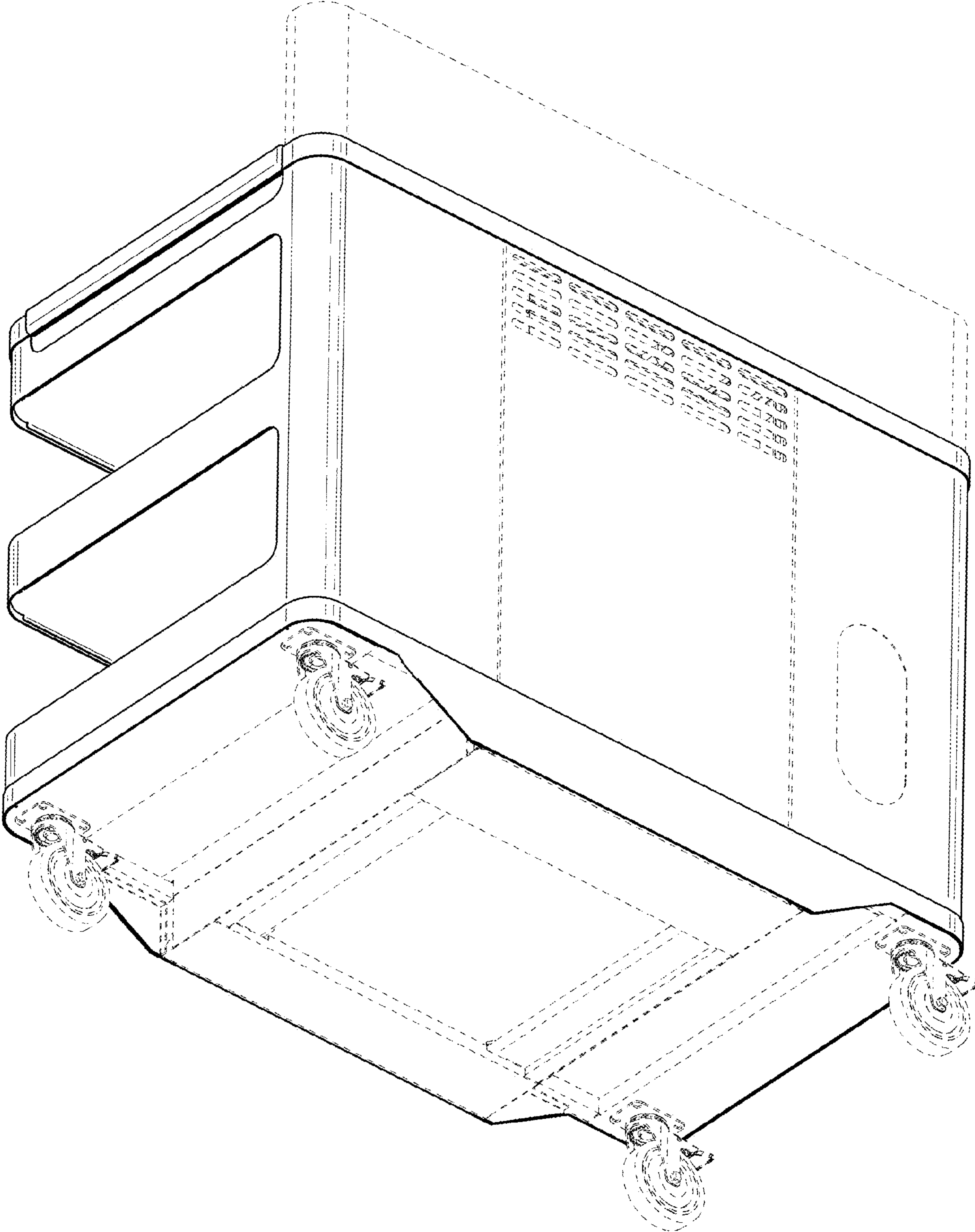


FIG. 2

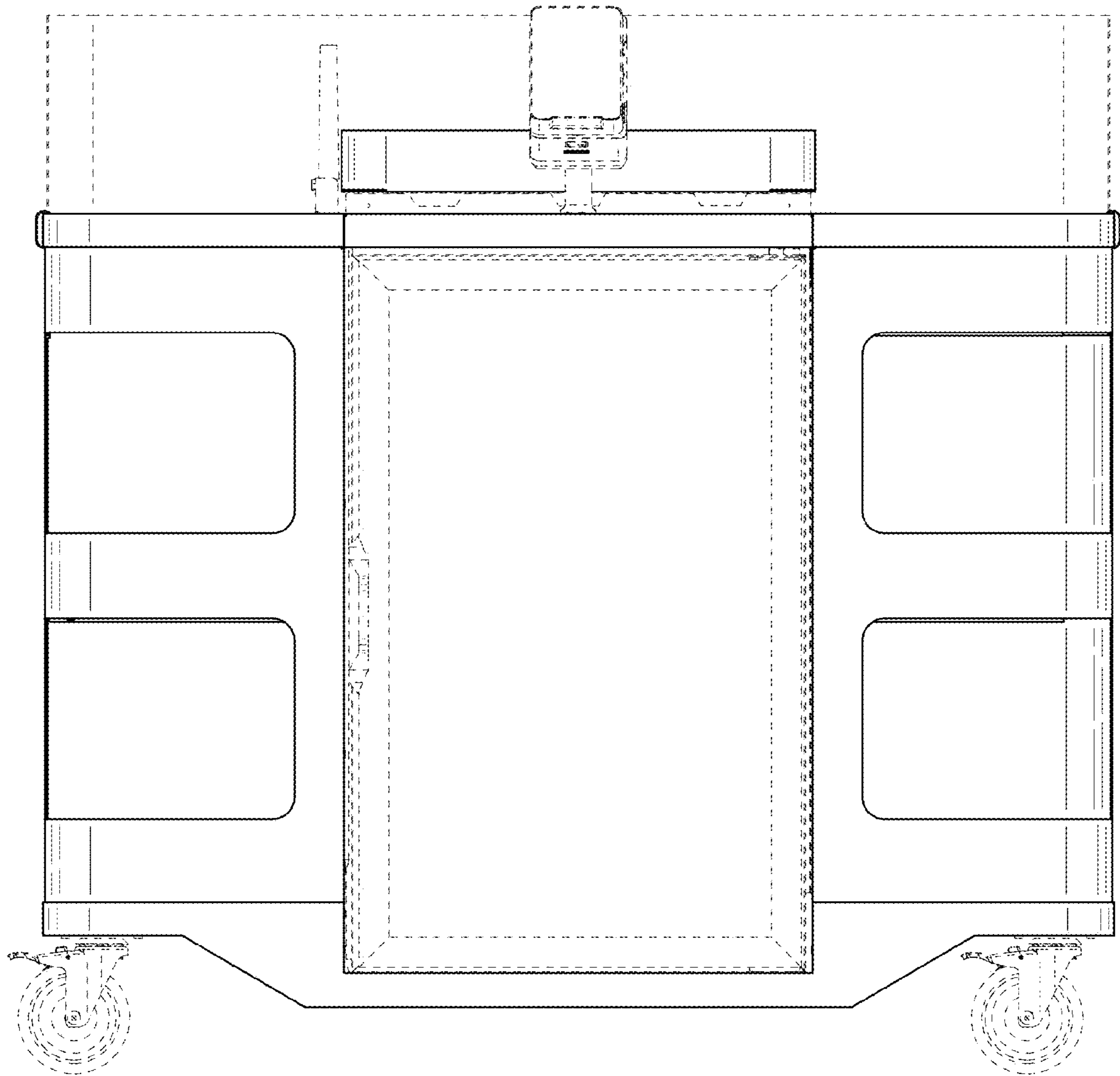


FIG. 3

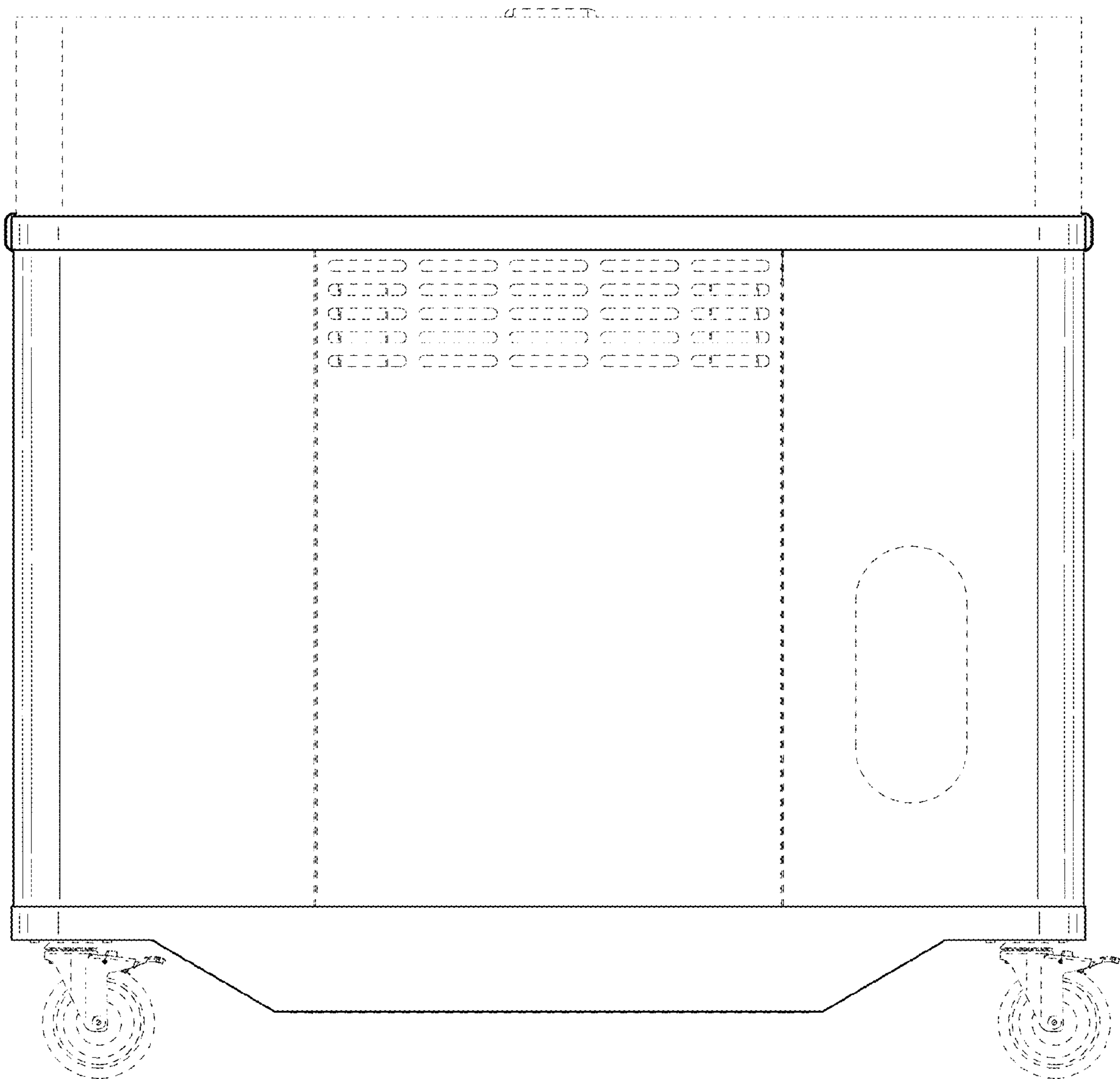


FIG. 4

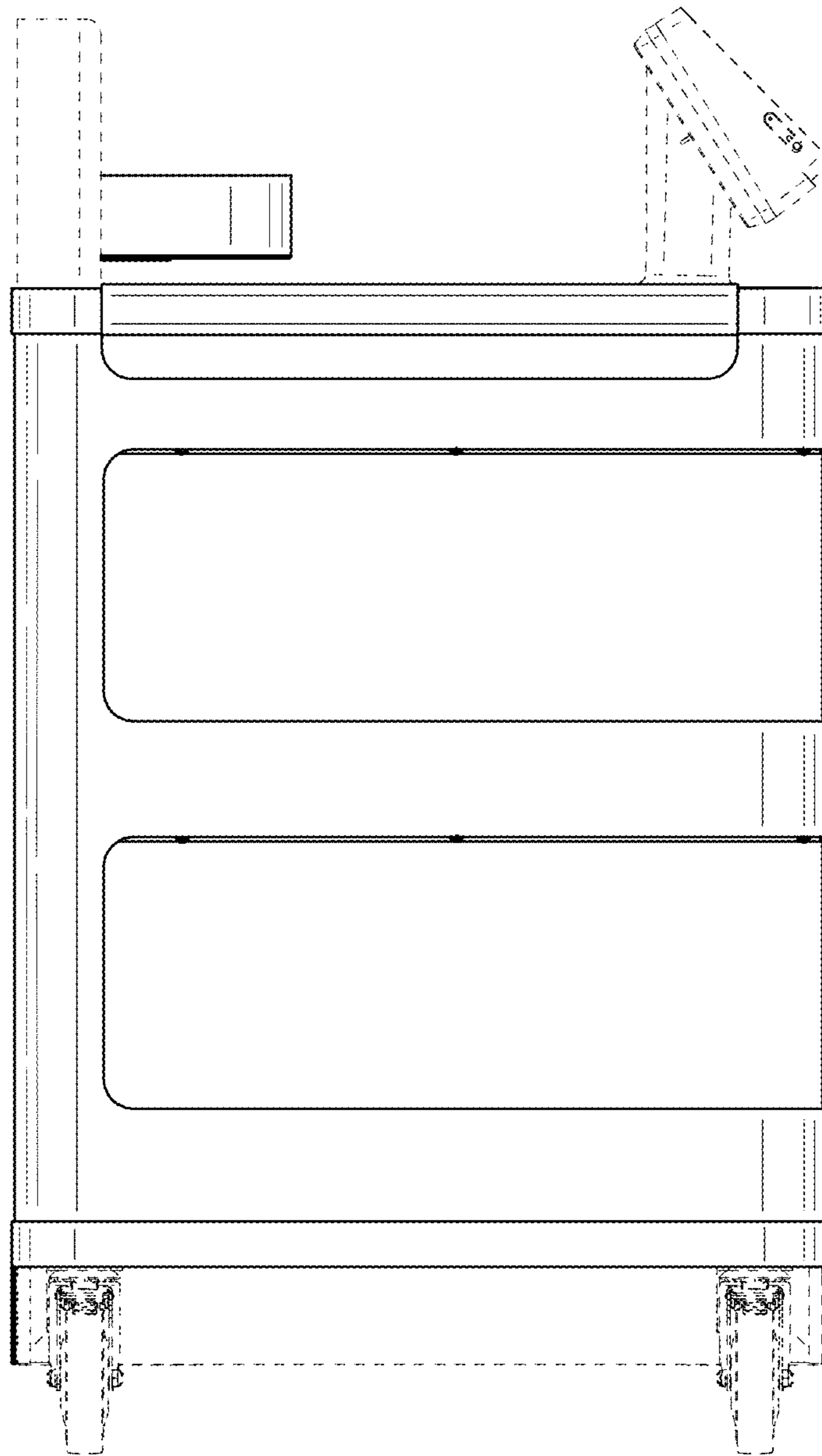


FIG. 5

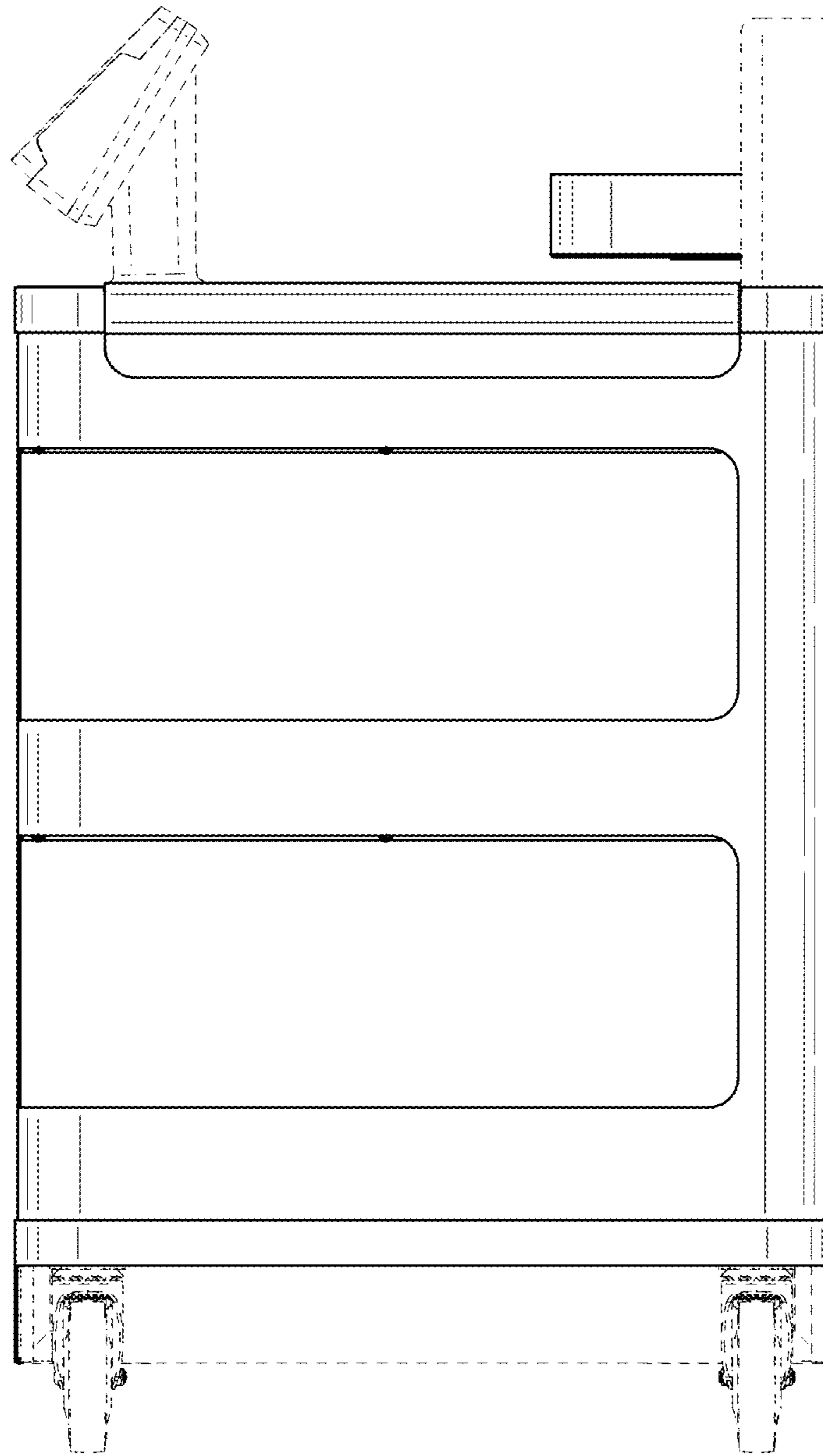


FIG. 6



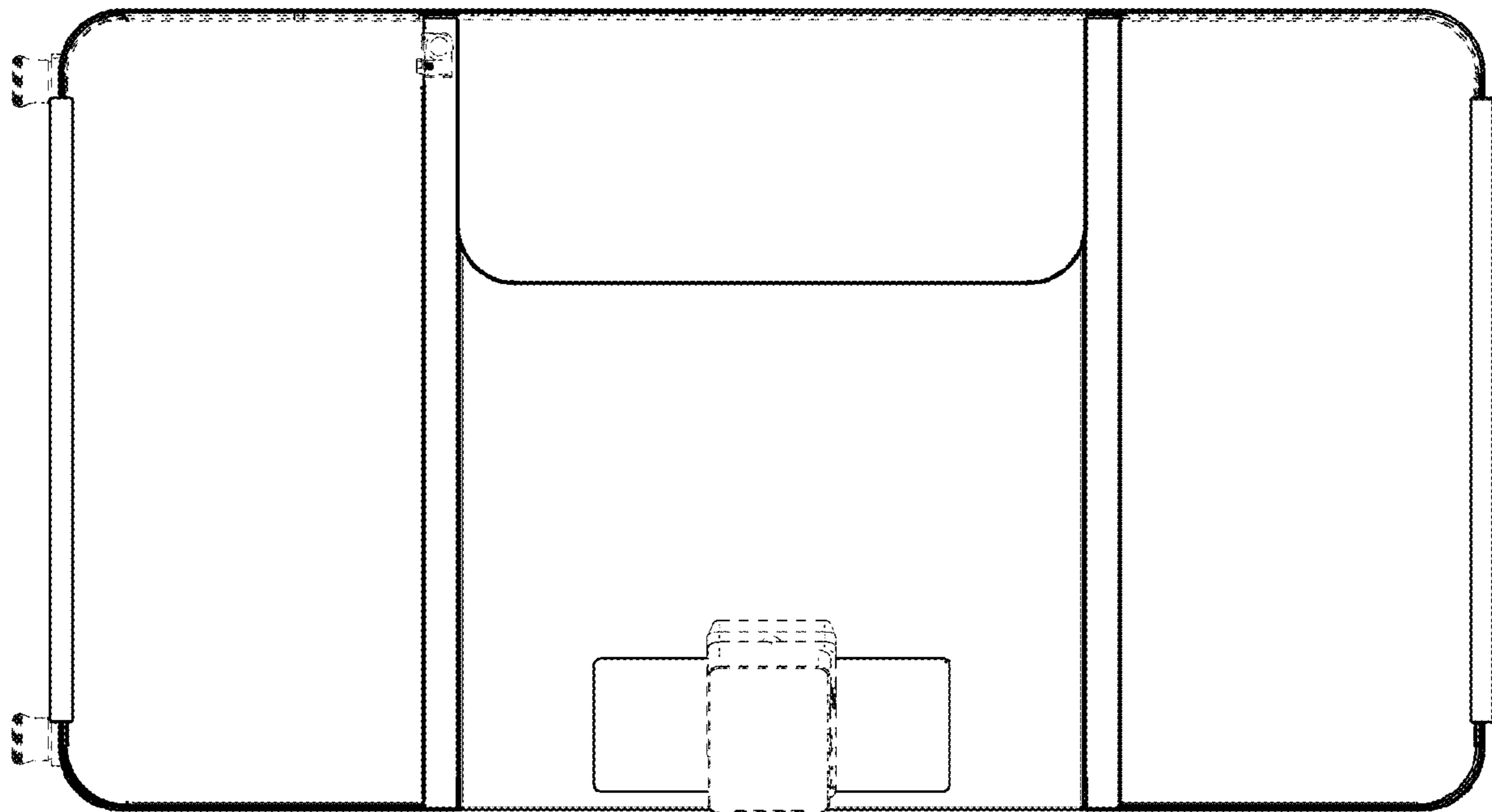


FIG. 7

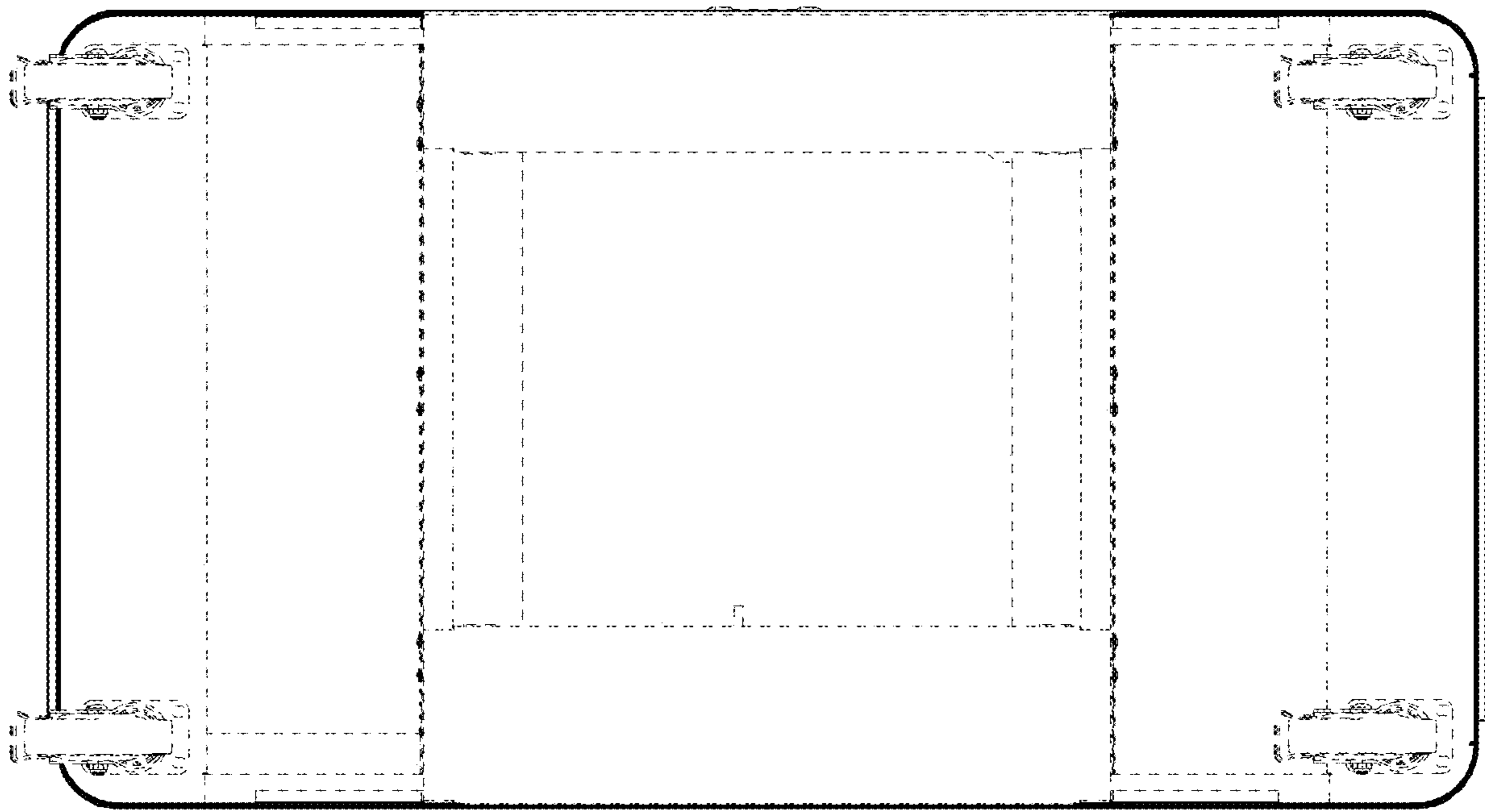


FIG. 8