



US0D1066025S

(12) **United States Design Patent** (10) **Patent No.:** **US D1,066,025 S**
Cortadellas et al. (45) **Date of Patent:** **** Mar. 11, 2025**

(54) **CONTAINER**
(71) Applicant: **PepsiCo, Inc.**, Purchase, NY (US)
(72) Inventors: **Xavier Cortadellas**, Hallandale Beach, FL (US); **Syed Peer**, Hoffman Estates, IL (US); **Toby Richard David Wingfield**, Crystal Lake, IL (US); **Albert Kwak**, Brooklyn, NY (US); **Charles Simon Paradise**, Brooklyn, NY (US); **Emma Pearl Willmer-Shiles**, Brooklyn, NY (US)

D745,804 S * 12/2015 Baacke D7/402
D761,111 S * 7/2016 Hart D9/523
D774,182 S * 12/2016 Davidian D24/121
D799,325 S * 10/2017 Ozamiz D9/563
D813,052 S * 3/2018 Engelen D9/523
D838,472 S * 1/2019 Gauss D3/202
D863,967 S * 10/2019 Ruble D9/560
D888,496 S * 6/2020 Cai D7/510
D893,257 S * 8/2020 Tan D7/510
D911,845 S * 3/2021 Huang D3/202

(Continued)

(73) Assignee: **PepsiCo, Inc.**, Purchase, NY (US)

(**) Term: **15 Years**

(21) Appl. No.: **29/817,658**

(22) Filed: **Dec. 2, 2021**

(51) **LOC (15) Cl.** **09-01**

(52) **U.S. Cl.**
USPC **D9/523**

(58) **Field of Classification Search**
USPC D9/516, 523–531, 541–543, 559–561, D9/563, 569, 571–575, 682, 684, D9/686–687, 693–694, 715, 719, 721; D3/201, 202, 316; D7/509–511, 533, D7/300, 302, 318, 320; D24/107, D24/121–123, 216, 217, 224
CPC B65D 1/02; B65D 1/0223; B65D 1/023; B65D 1/0261; B65D 2501/0009; B65D 2501/0081; B65D 2501/009
See application file for complete search history.

(56) **References Cited**

U.S. PATENT DOCUMENTS

D458,541 S 6/2002 Steiger et al.
D614,497 S * 4/2010 Pola D9/523
8,777,040 B2 * 7/2014 Wahl B65D 43/16
220/259.3
D723,373 S * 3/2015 Wahl D9/523

OTHER PUBLICATIONS

Lock & Lock Food Container. Online, published date Jul. 30, 2018. Retrieved on Aug. 15, 2024 from URL: <https://www.amazon.com/LocknLock-Essentials-flip-top-Airtight-containers/product-reviews/B000FDVE84/>.*

(Continued)

Primary Examiner — Omeed Agilee

Assistant Examiner — David Truong

(74) *Attorney, Agent, or Firm* — Sterne, Kessler, Goldstein & Fox P.L.L.C.

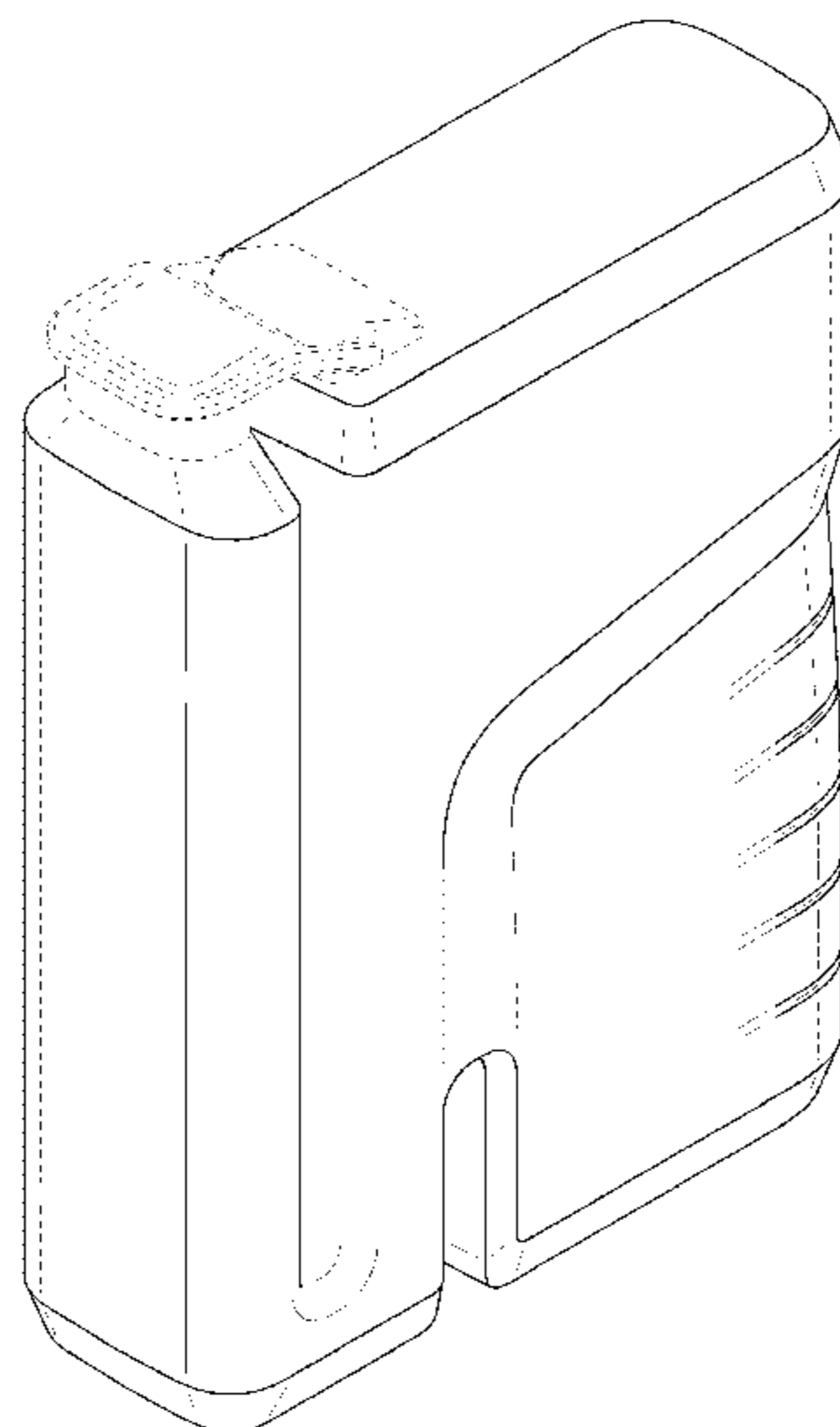
(57) **CLAIM**

The ornamental design for a container as shown and described.

DESCRIPTION

FIG. 1 is a top perspective view of a container showing the claimed design;
FIG. 2 is a bottom perspective view thereof;
FIG. 3 is a front view thereof;
FIG. 4 is a rear view thereof;
FIG. 5 is a left side view thereof;
FIG. 6 is a right side view thereof;
FIG. 7 is a top view thereof; and,
FIG. 8 is a bottom view thereof.
The broken lines in the figures show portions of the container that form no part of the claimed design.

1 Claim, 6 Drawing Sheets



(56)

References Cited

U.S. PATENT DOCUMENTS

D917,779 S * 4/2021 Yu D27/162
D950,386 S * 5/2022 Barber D9/523
D953,615 S * 5/2022 Liu D27/162
D953,616 S * 5/2022 Liu D27/162

OTHER PUBLICATIONS

GSI Flask. Online, published date Aug. 5, 2019. Retrieved on Aug. 15, 2024 from URL: <https://www.amazon.com/GSI-Outdoors-Boulder-Flask-Graphite/dp/B07W6B1Z5V?th=1>.*

* cited by examiner

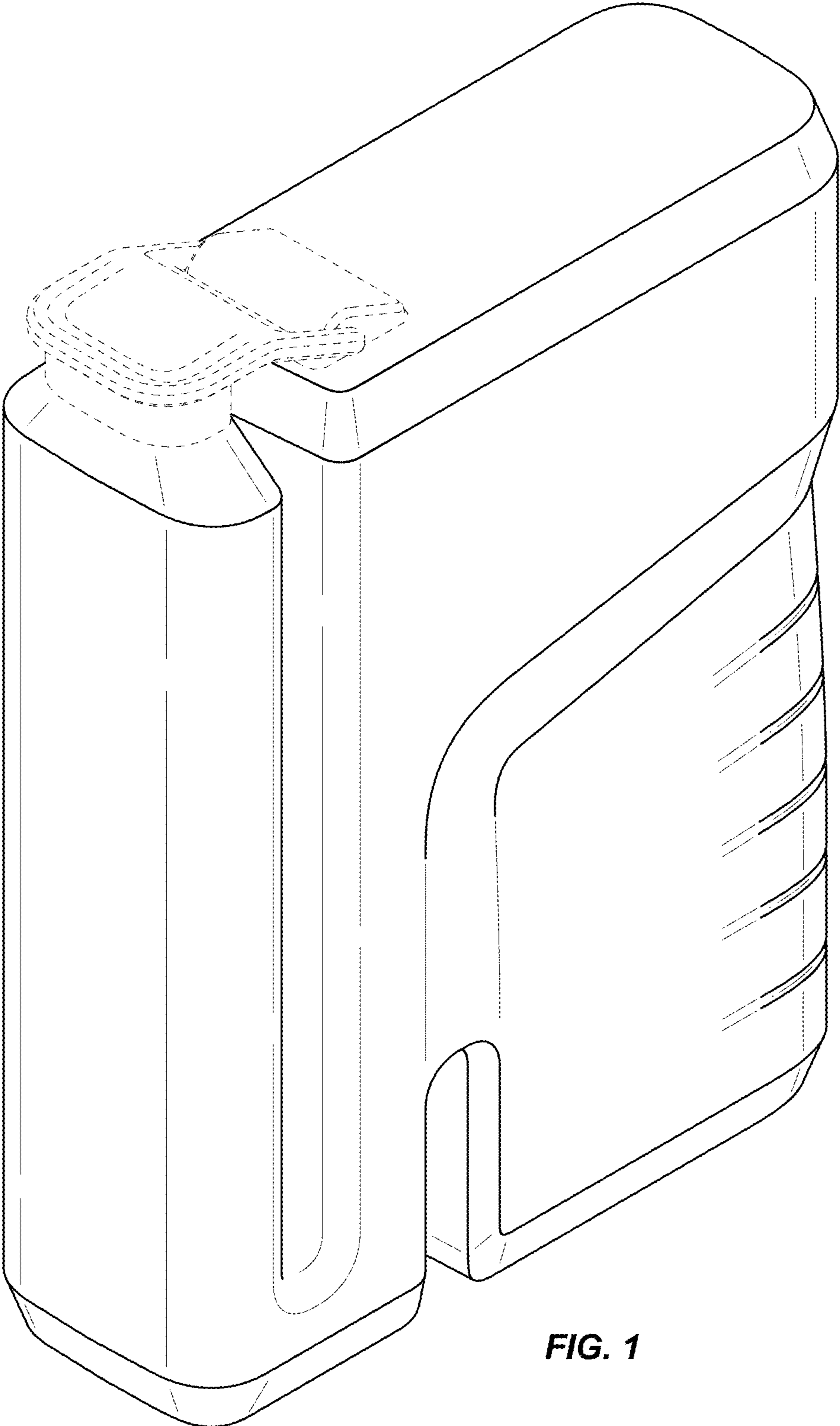


FIG. 1

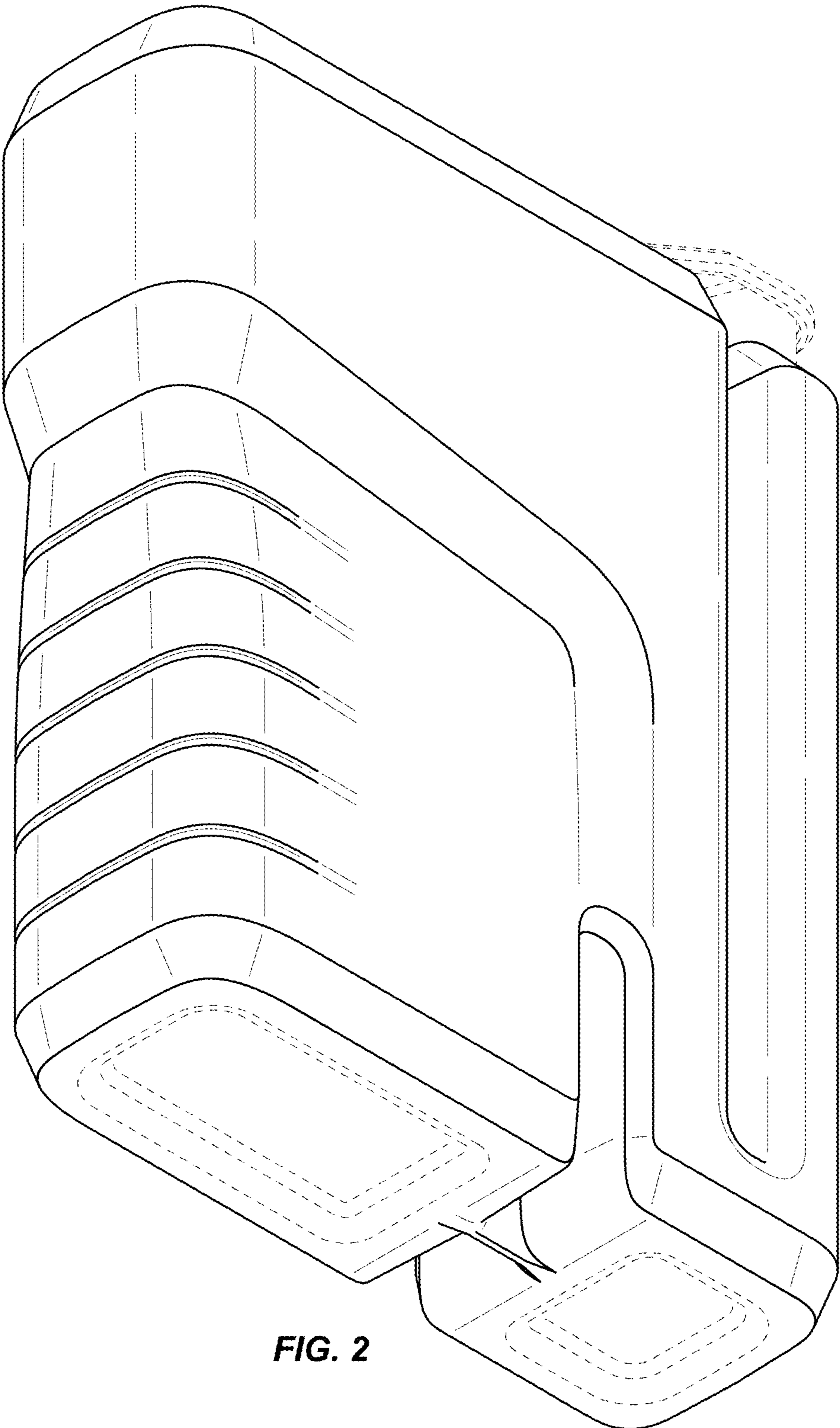


FIG. 2

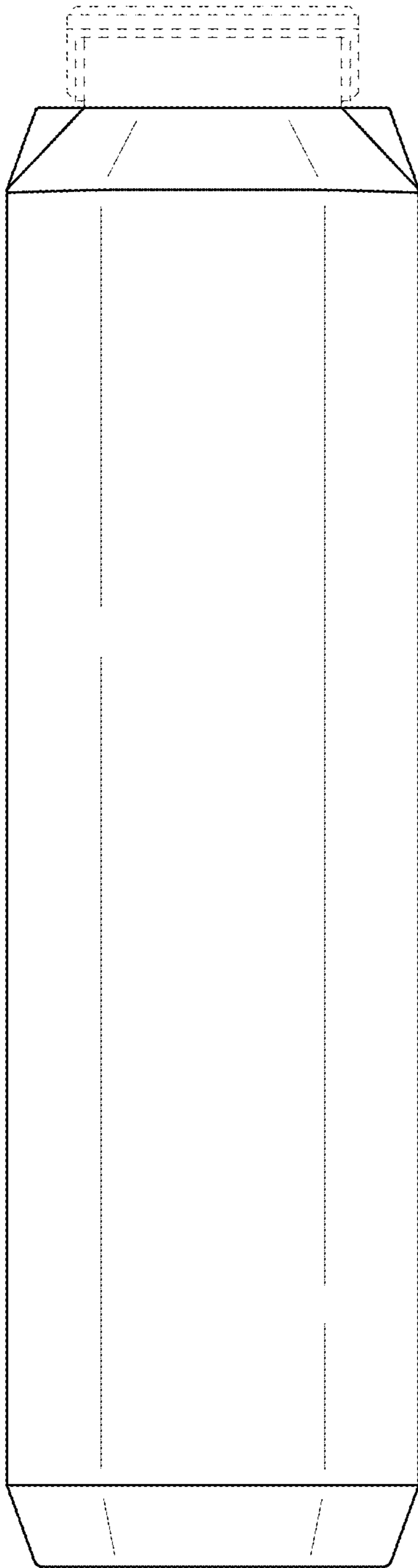


FIG. 3

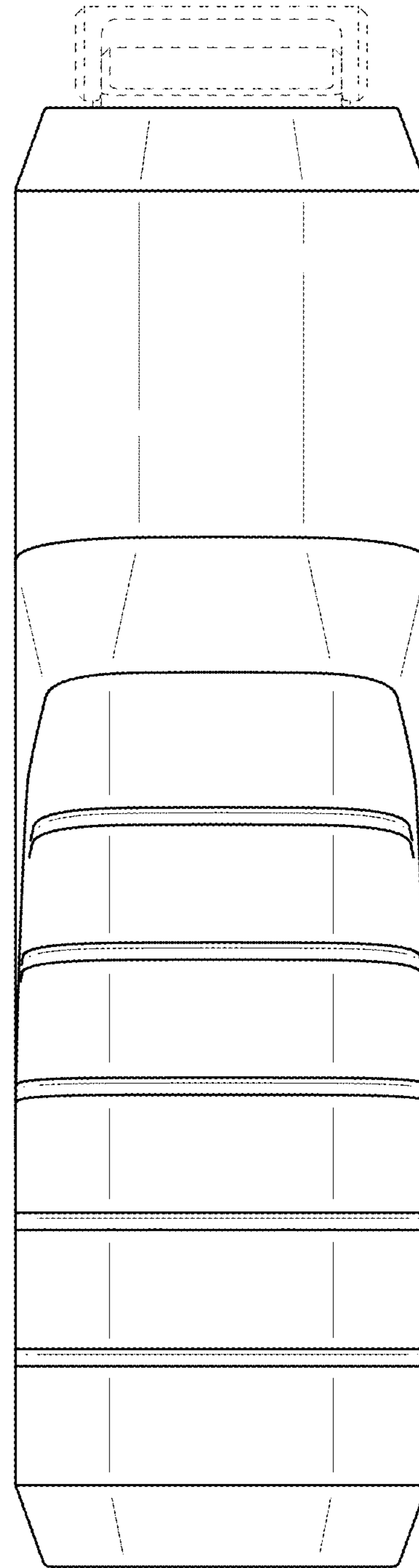


FIG. 4

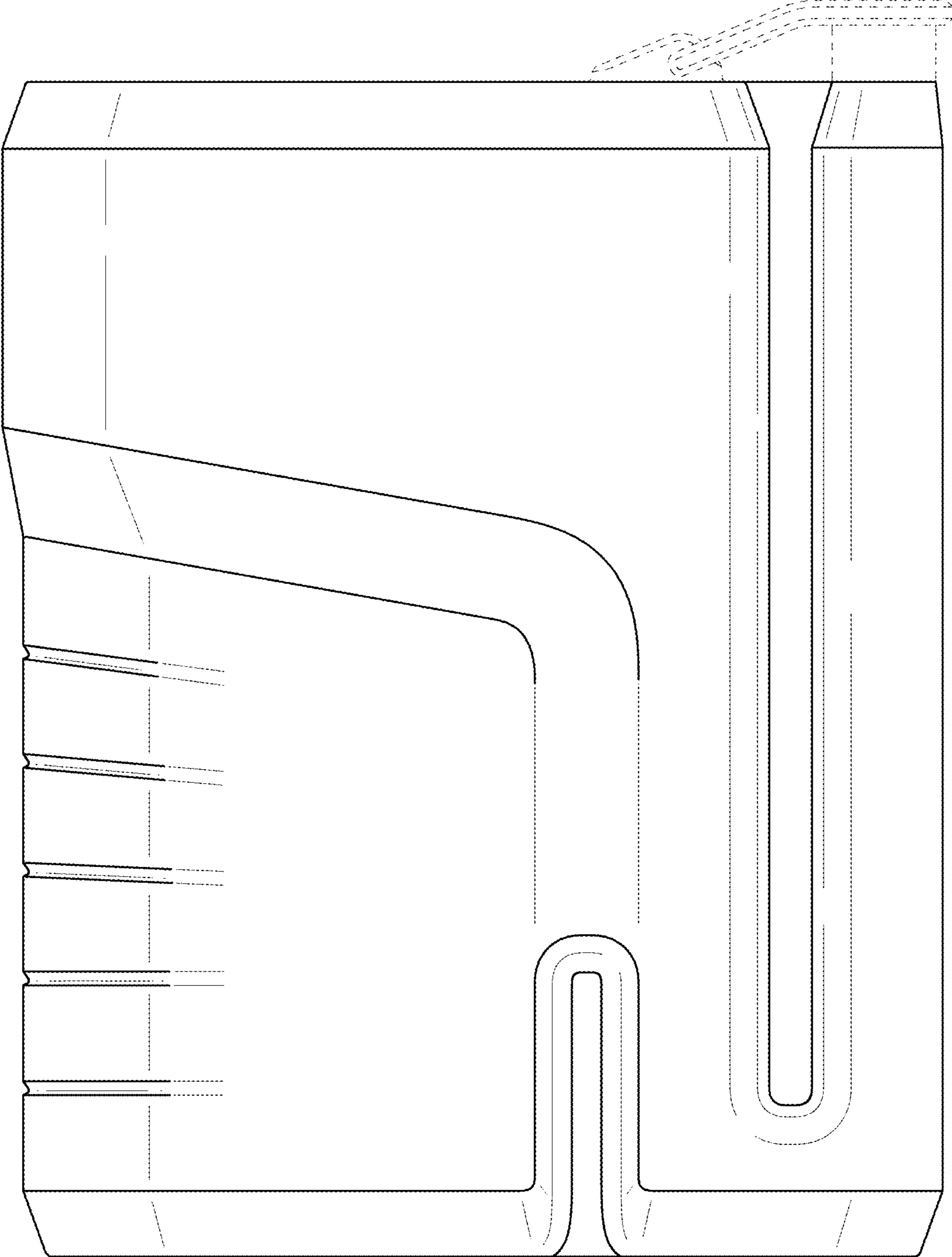


FIG. 5

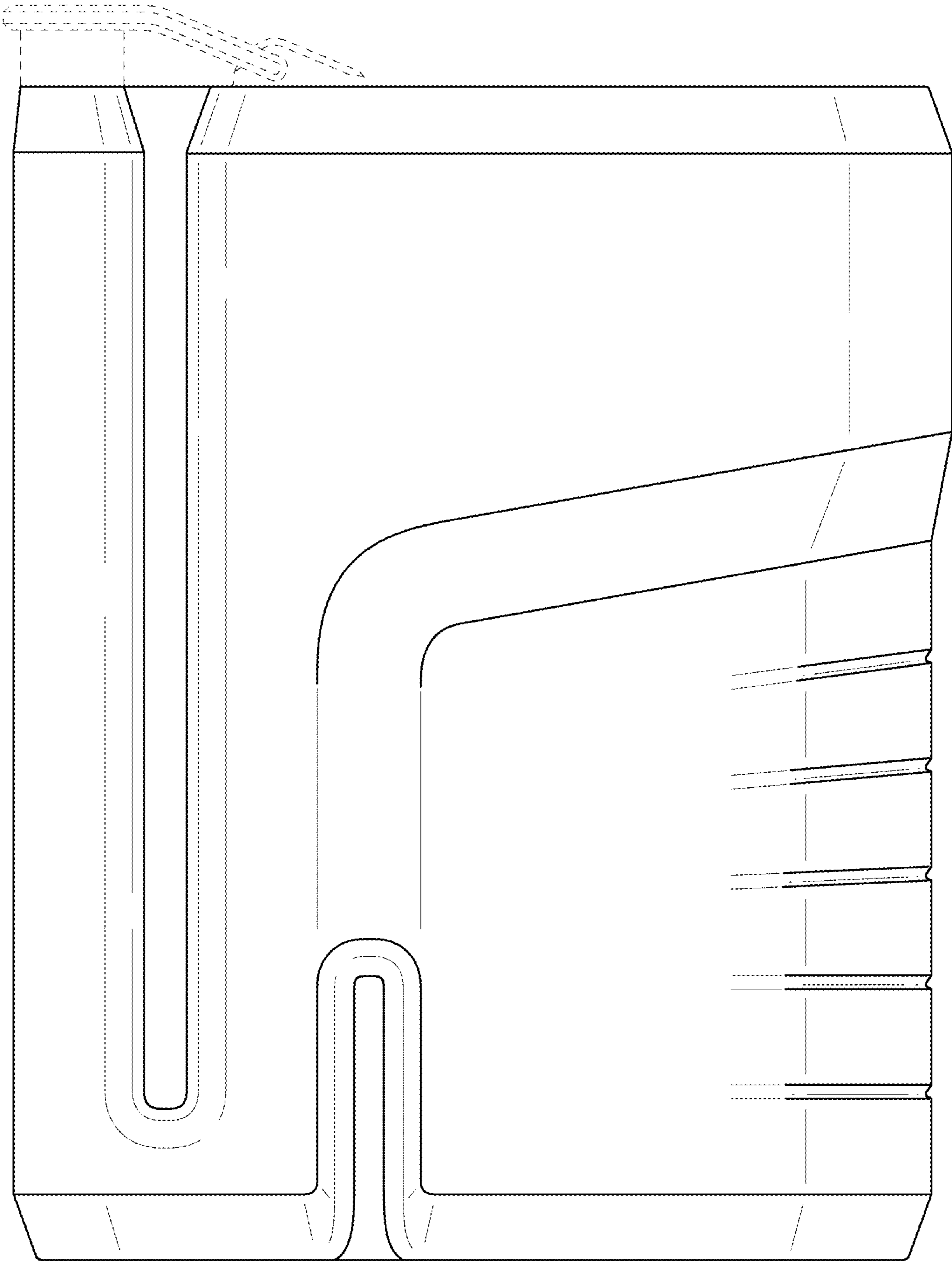


FIG. 6

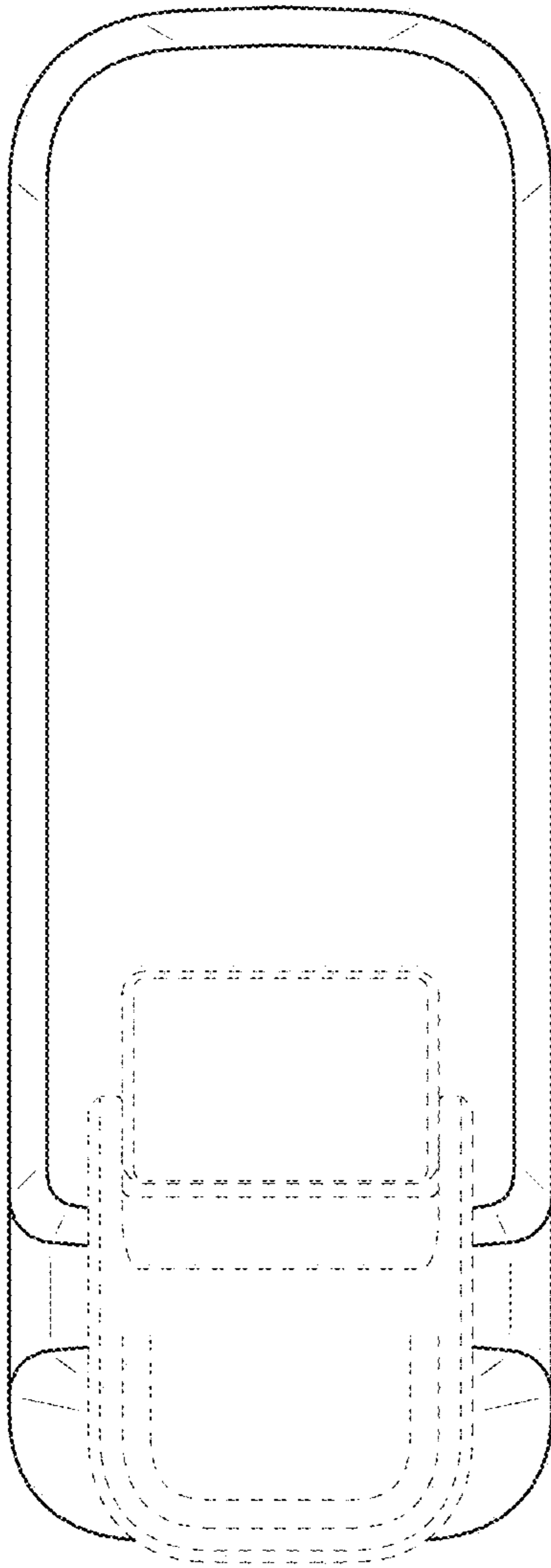


FIG. 7

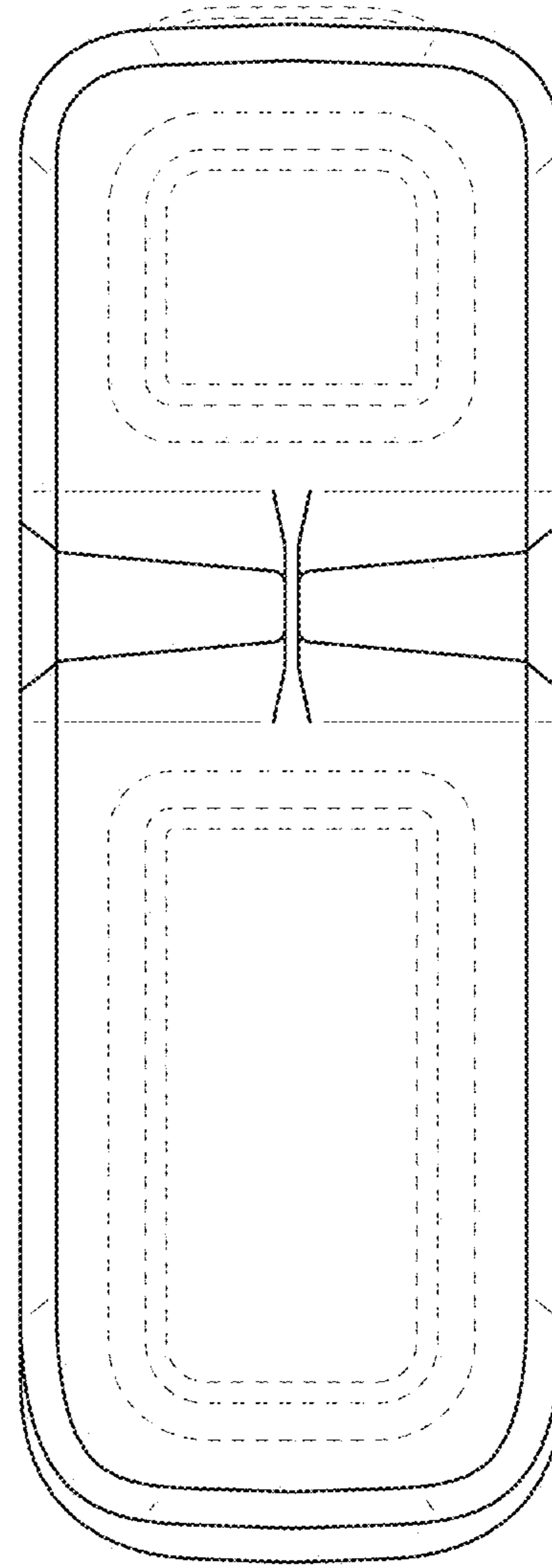


FIG. 8